



US00D329060S

United States Patent [19]

Ahlström et al.

[11] Patent Number: **Des. 329,060**

[45] Date of Patent: **** Sep. 1, 1992**

[54] **VERTICALLY-MOUNTABLE TICKET DISPENSER**

[75] Inventors: **Tom Ahlström; Hans Ehrich, both of Stockholm, Sweden**

[73] Assignee: **Turn-O-Matic AB, Sundbyberg, Sweden**

[**] Term: **14 Years**

[21] Appl. No.: **486,277**

[22] Filed: **Feb. 27, 1990**

[30] **Foreign Application Priority Data**

Sep. 1, 1989 [SE] Sweden 89-1965

[52] U.S. Cl. **D19/69; D19/67**

[58] Field of Search **D19/65, 67, 68, 69, D19/99, 100; 221/73, 70, 71, 69; 225/6, 19, 34, 45, 47, 56, 65, 77, 89; 206/39, 39.1-39.9**

[56] **References Cited**

U.S. PATENT DOCUMENTS

D. 141,219 5/1945 Preble, Jr. D19/69

D. 141,220 5/1945 Preble, Jr. D19/69

D. 145,699 10/1946 Preble, Jr. D19/69
D. 224,175 6/1973 Finkel D19/69
D. 242,452 11/1976 Brown, Sr. D19/69
D. 310,104 8/1990 Uchida D19/67
D. 315,576 3/1991 En D19/69
3,993,230 11/1976 Oakes 225/47
4,570,868 2/1986 Wiggs et al. 221/73 X

Primary Examiner—Nelson C. Holtje
Assistant Examiner—Martha Thompson
Attorney, Agent, or Firm—Kane, Dalsimer, Sullivan, Kurucz, Levy, Eisele and Richard

[57] **CLAIM**

The ornamental design for a vertically-mountable ticket dispenser, as shown and described.

DESCRIPTION

FIG. 1 is a front elevational view of a vertically-mountable ticket dispenser showing our new design; FIG. 2 is a rear elevational view; FIG. 3 is a bottom plan view; FIG. 4 is a top plan view; FIG. 5 is a left side elevational view, the right side being a mirror image thereof; and, FIG. 6 is a top, right front perspective view thereof.

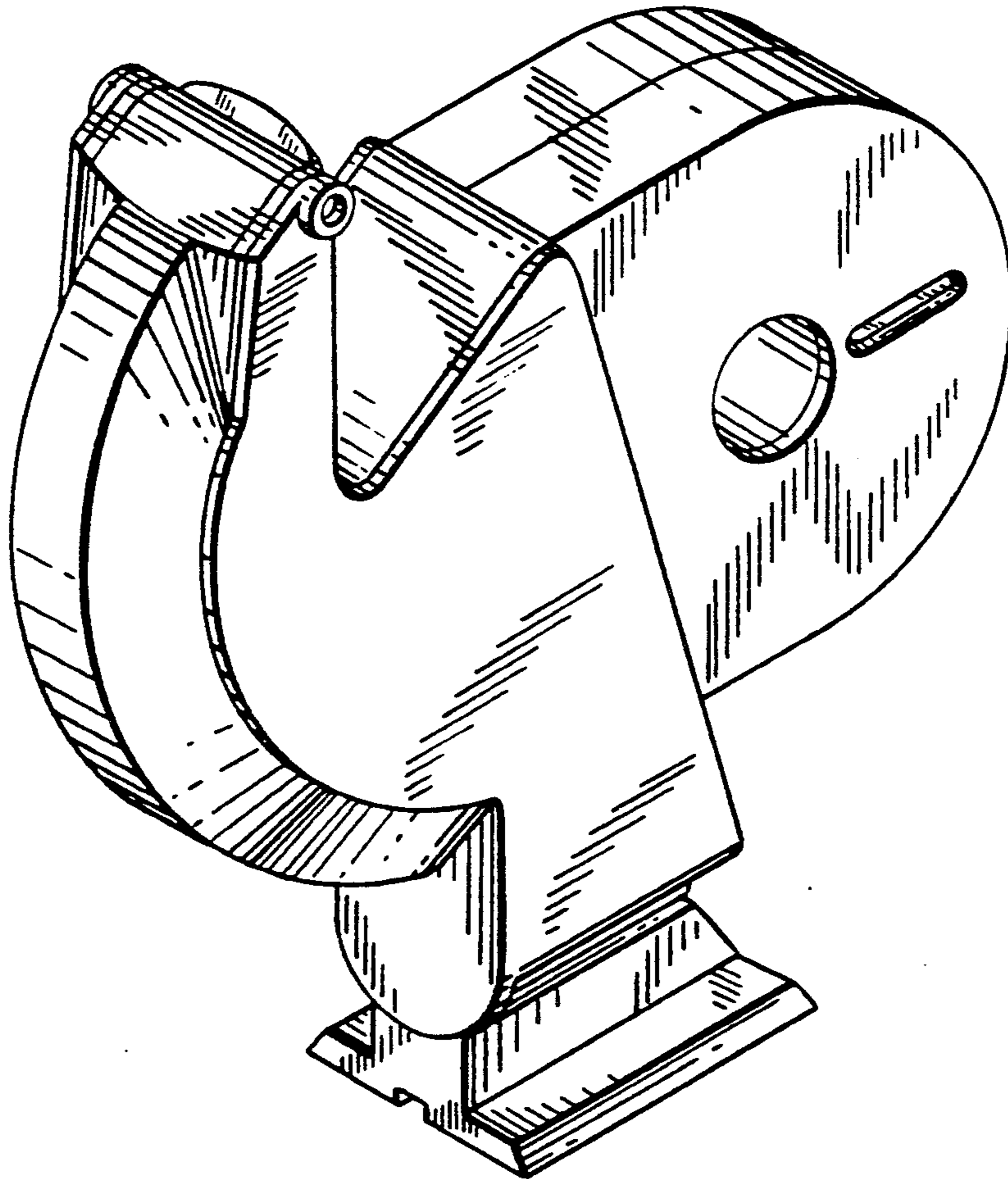


FIG. 1

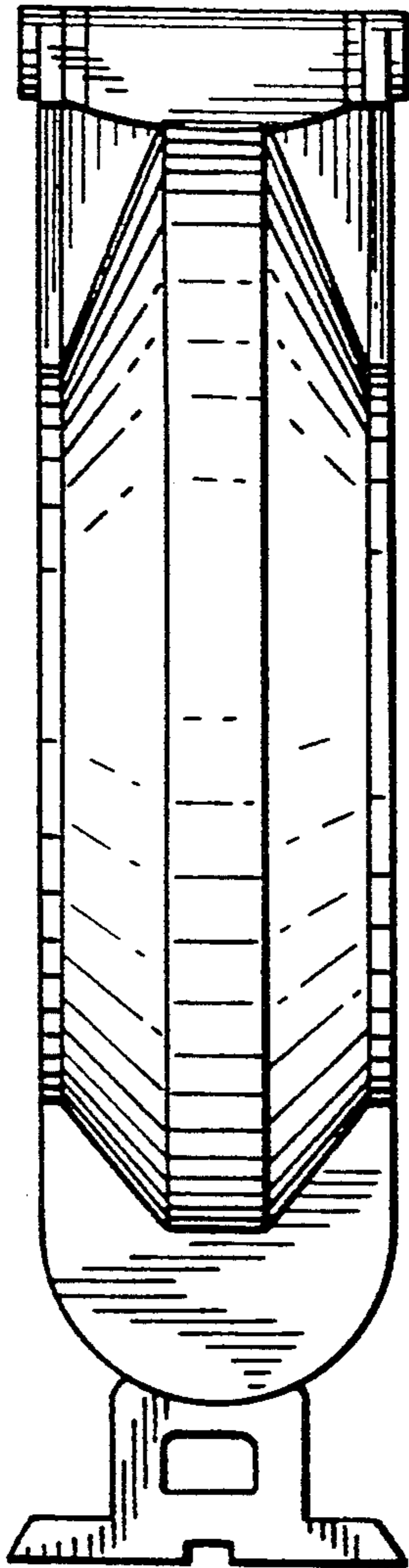
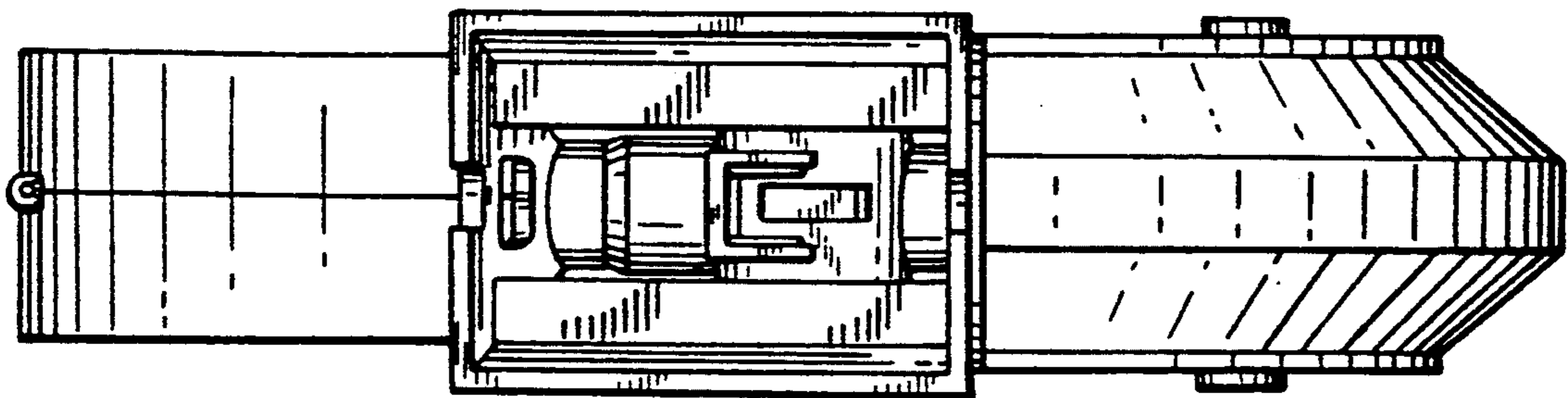


FIG. 3



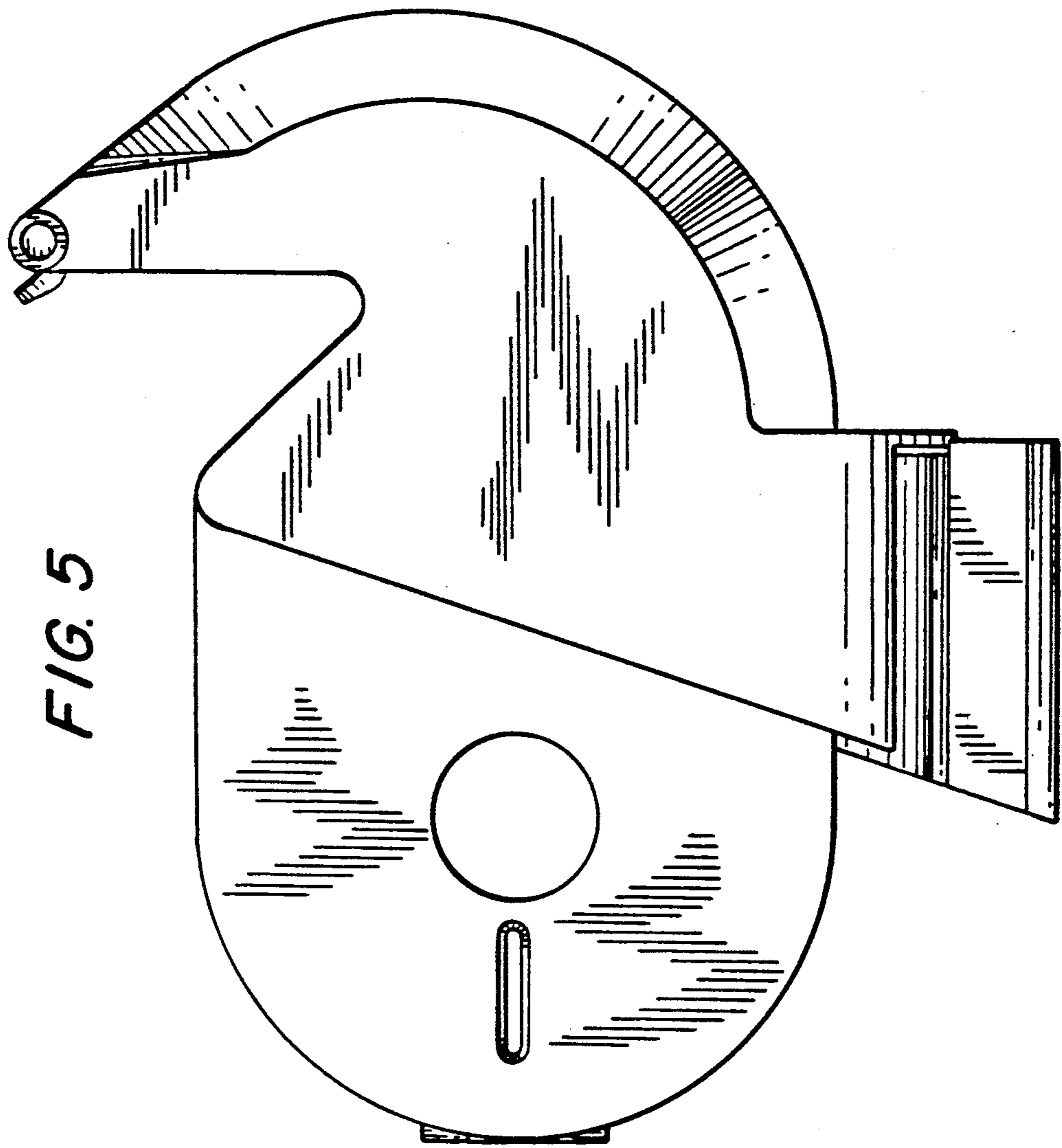


FIG. 2

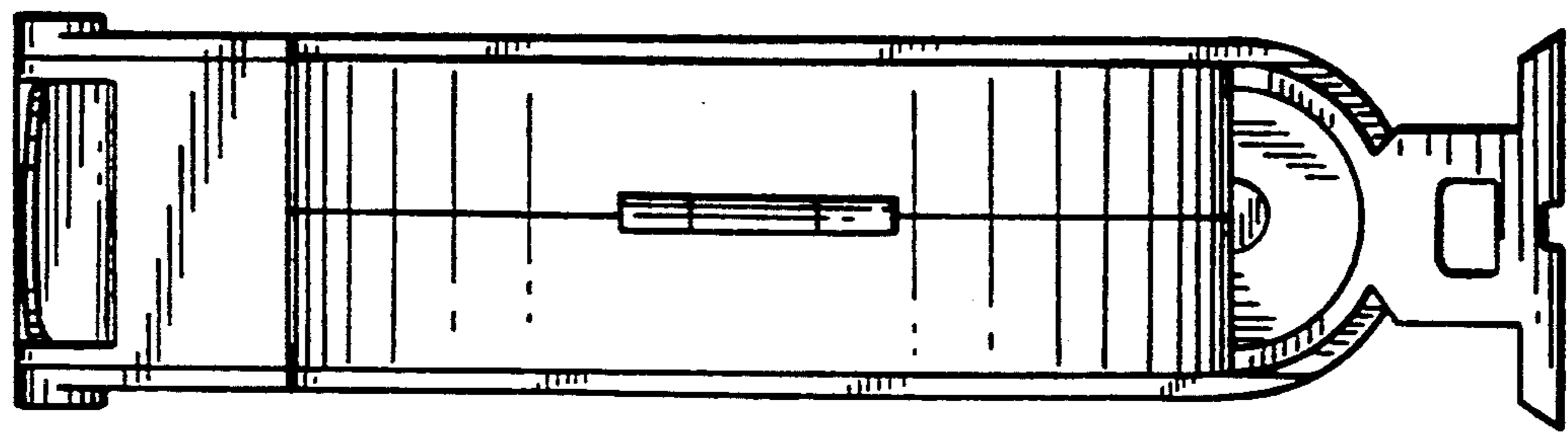


FIG. 4

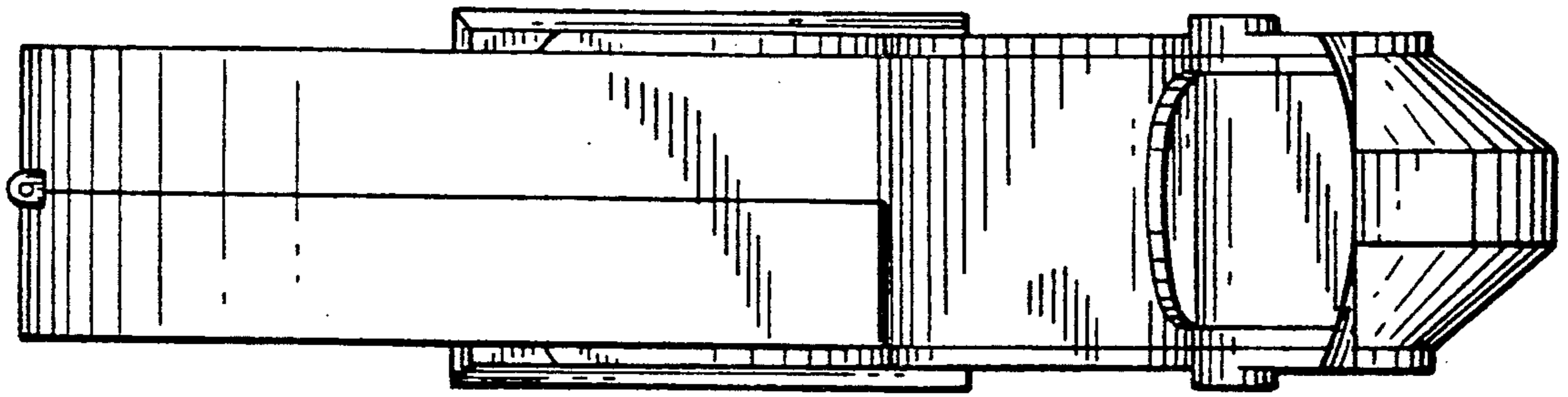


FIG. 6

