



US00D329055S

# United States Patent [19]

Krause et al.

[11] Patent Number: **Des. 329,055**

[45] Date of Patent: **\*\* Sep. 1, 1992**

[54] **DOCUMENT SHREDDER**

[75] Inventors: **Klaus-Diether Krause, Diethenhofen; Florian Stolzenberger, Altenthann,** both of Fed. Rep. of Germany

[73] Assignee: **TA Triumph-Adler, Nuremberg, Fed. Rep. of Germany**

[\*\*] Term: **14 Years**

[21] Appl. No.: **620,594**

[22] Filed: **Nov. 30, 1990**

[30] **Foreign Application Priority Data**

Jun. 12, 1990 [WO] World Int. Prop. O. ... DM/016.896

[52] U.S. Cl. .... **D18/34**

[58] Field of Search ..... D18/34, 35, 99; 225/93, 225/96.5, 106; D19/72; 241/100, 166, 236, 30, 3

[56] **References Cited**

**U.S. PATENT DOCUMENTS**

D. 298,435 11/1988 Buteau ..... D18/34

|            |         |                       |           |
|------------|---------|-----------------------|-----------|
| D. 320,807 | 10/1991 | Krause et al. ....    | D18/34    |
| 4,637,560  | 1/1987  | Goldhammer .....      | 241/100   |
| 4,869,435  | 9/1989  | Pistorius et al. .... | 241/100   |
| 4,973,004  | 11/1990 | Krause et al. ....    | 241/100   |
| 4,997,134  | 3/1991  | MacGregor .....       | 241/236 X |
| 5,054,695  | 10/1991 | Koornhof .....        | 241/30    |

*Primary Examiner*—A. Hugo Word  
*Assistant Examiner*—Cathy Anne MacCormac  
*Attorney, Agent, or Firm*—Browdy and Neimark

[57] **CLAIM**

The ornamental design for a document shredder, as shown and described.

**DESCRIPTION**

FIG. 1 is a top perspective view of the document shredder showing my new design;  
FIG. 2 is a front elevational view thereof;  
FIG. 3 is a rear elevational view thereof;  
FIG. 4 is a top plan view thereof;  
FIG. 5 is a left side elevational view thereof;  
FIG. 6 is a right side elevational view thereof; and,  
FIG. 7 is a bottom plan view thereof.

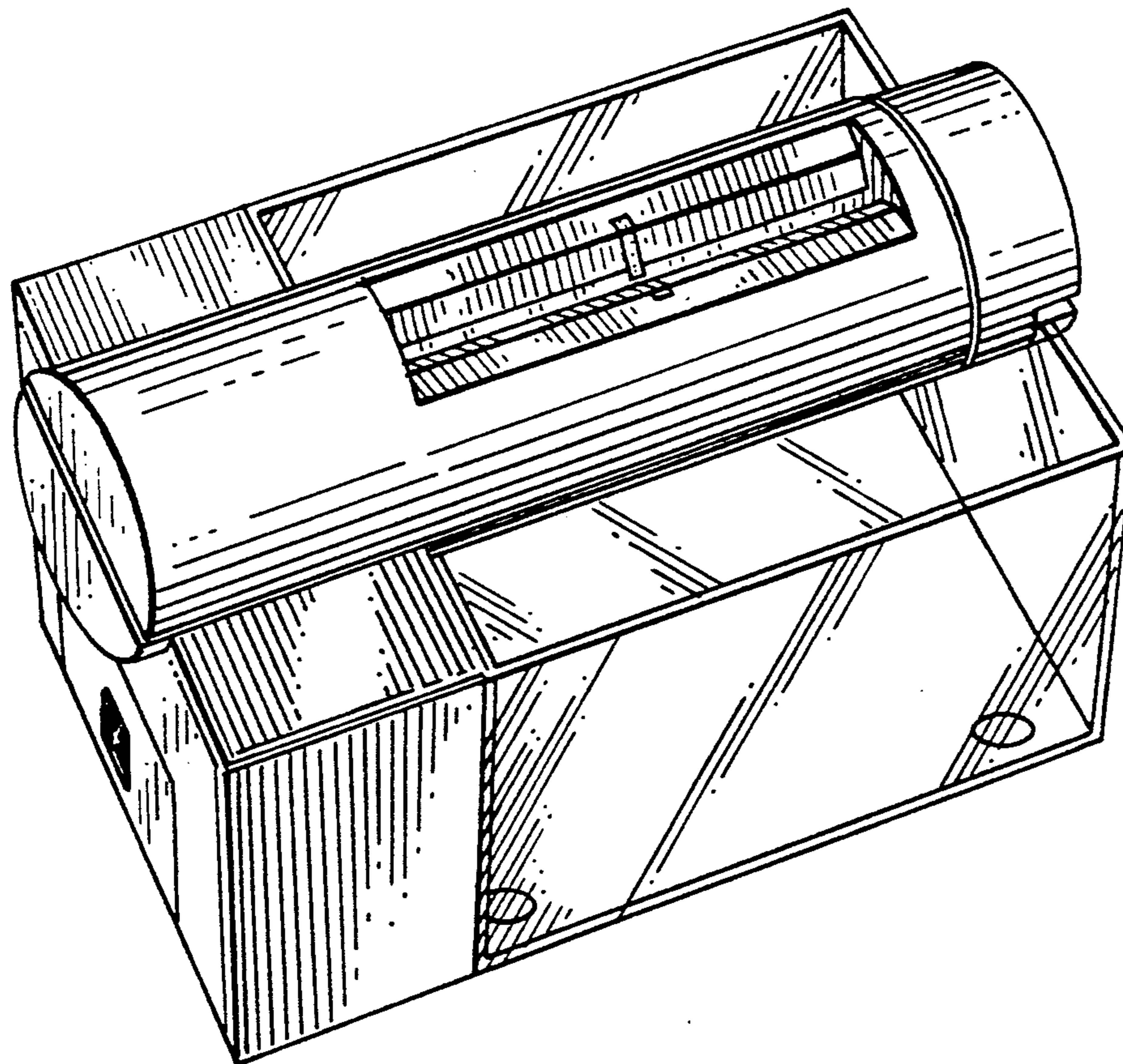


FIG. 1

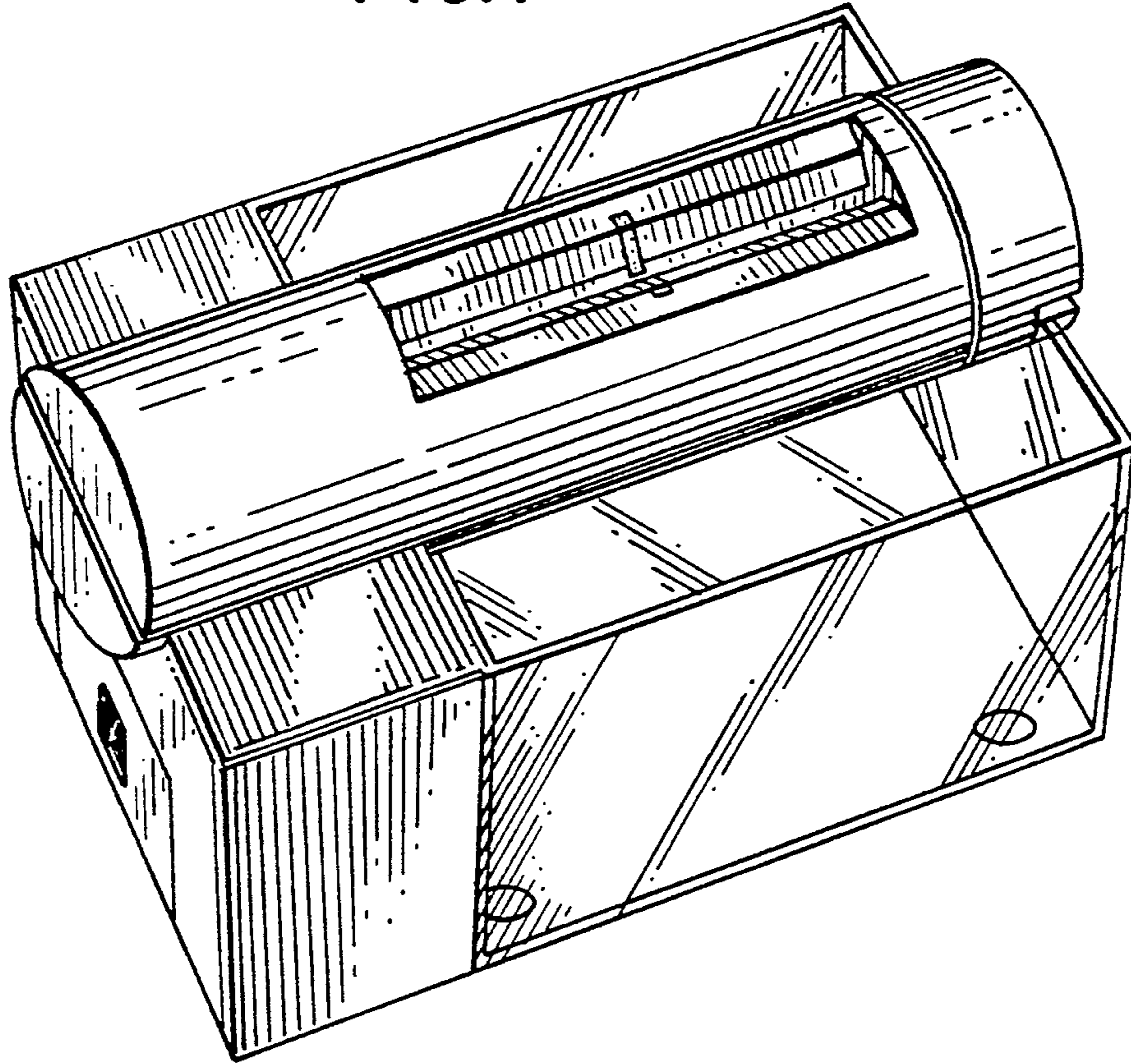


FIG. 2

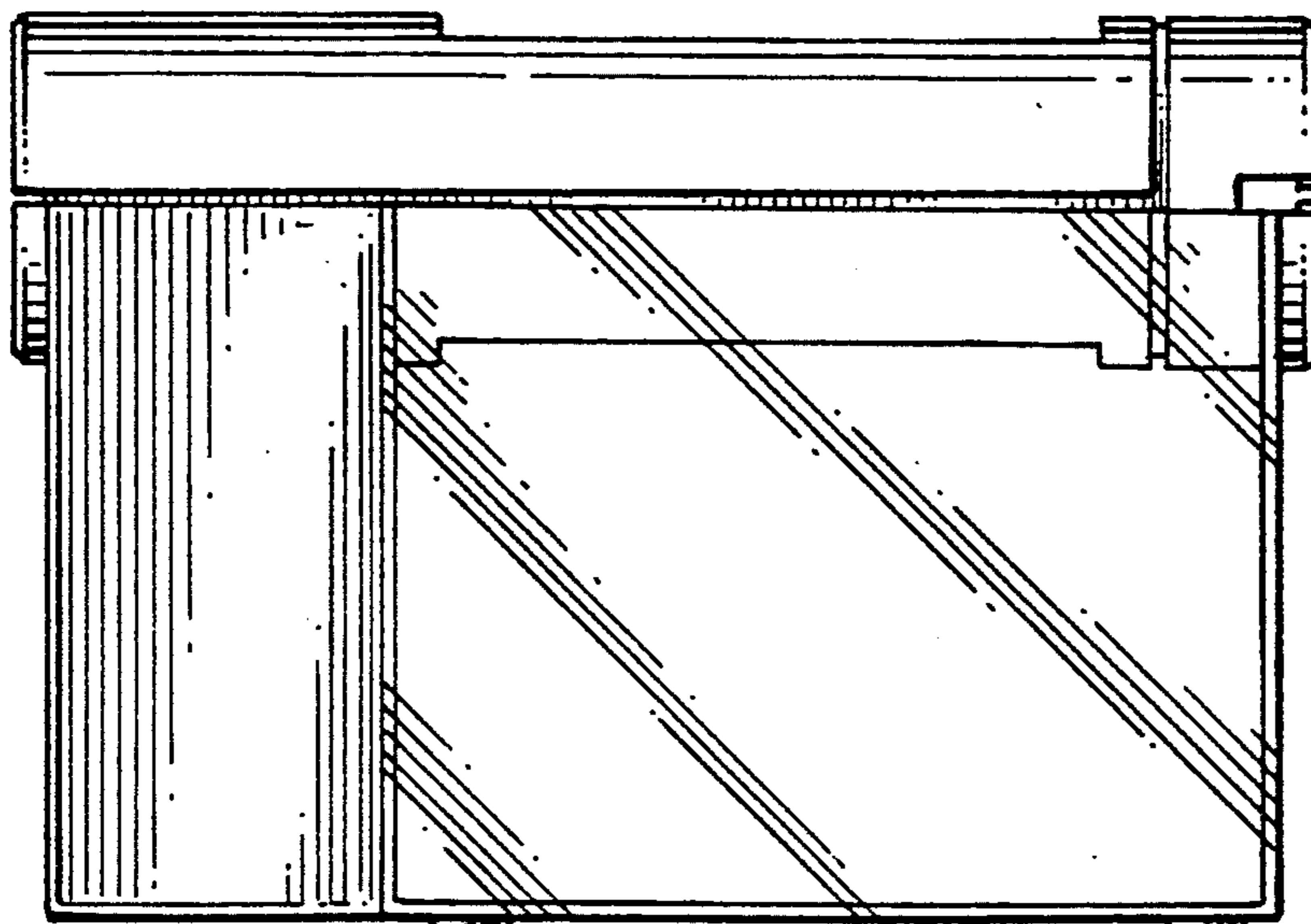


FIG. 3

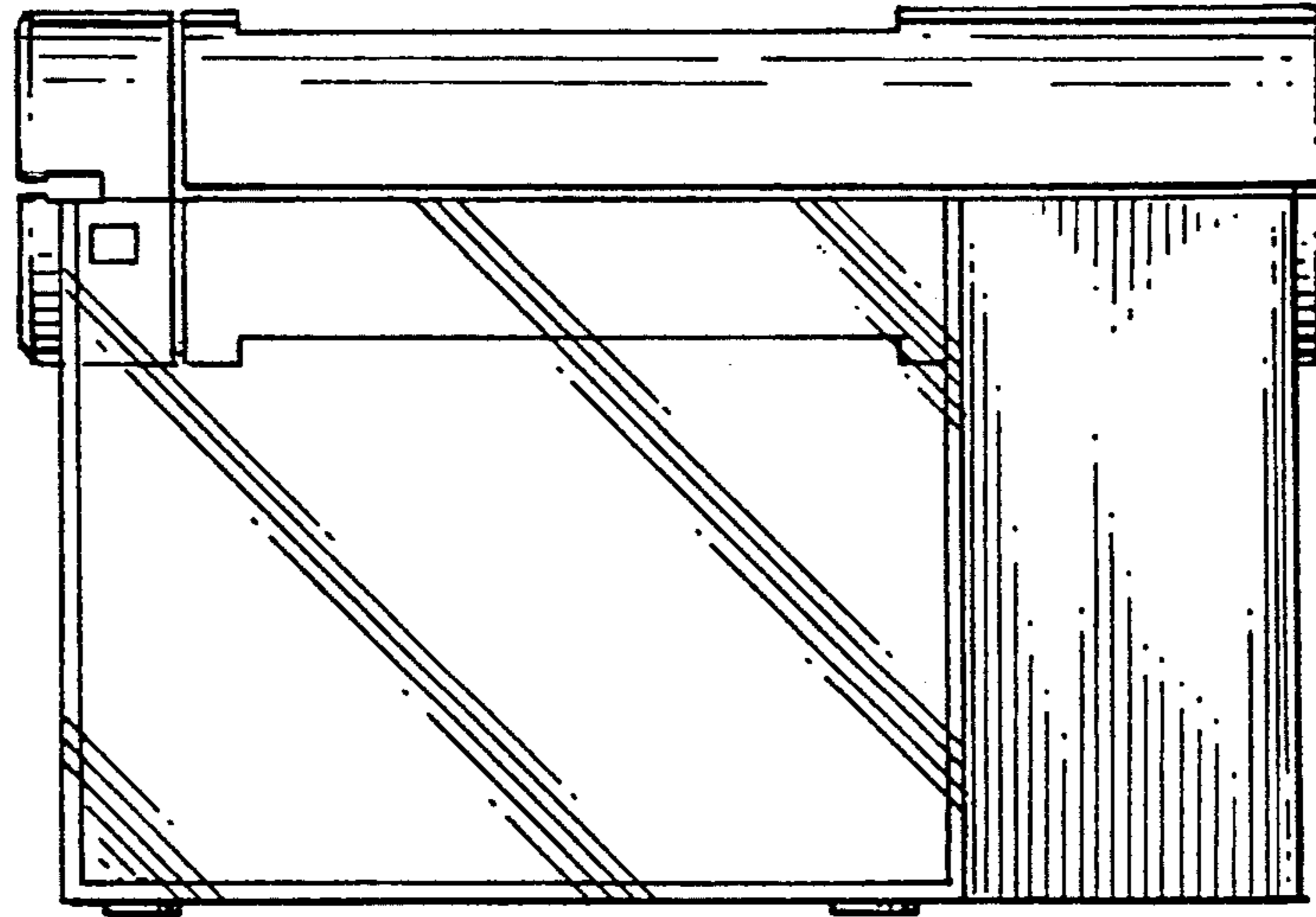


FIG. 4

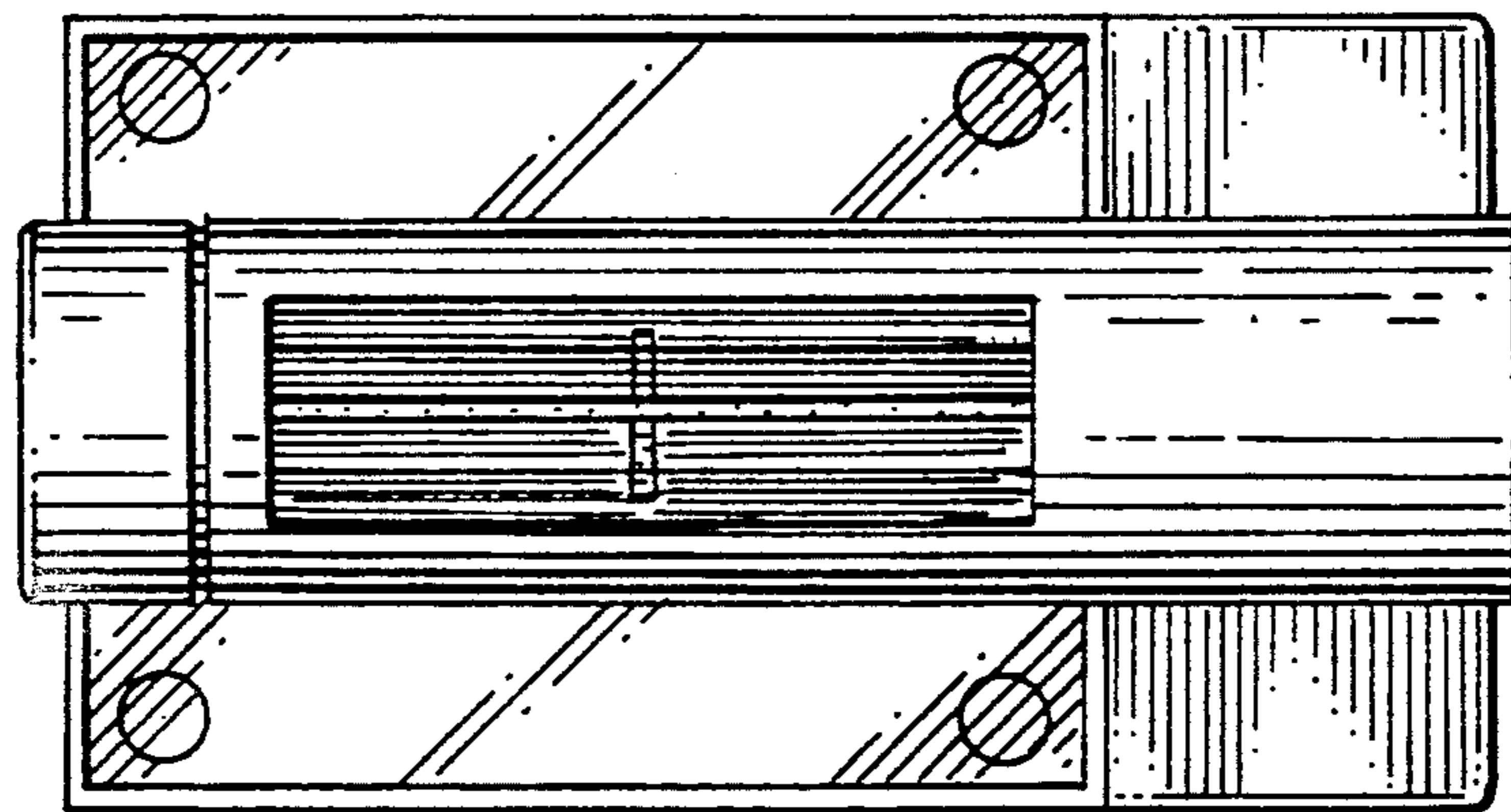


FIG. 5

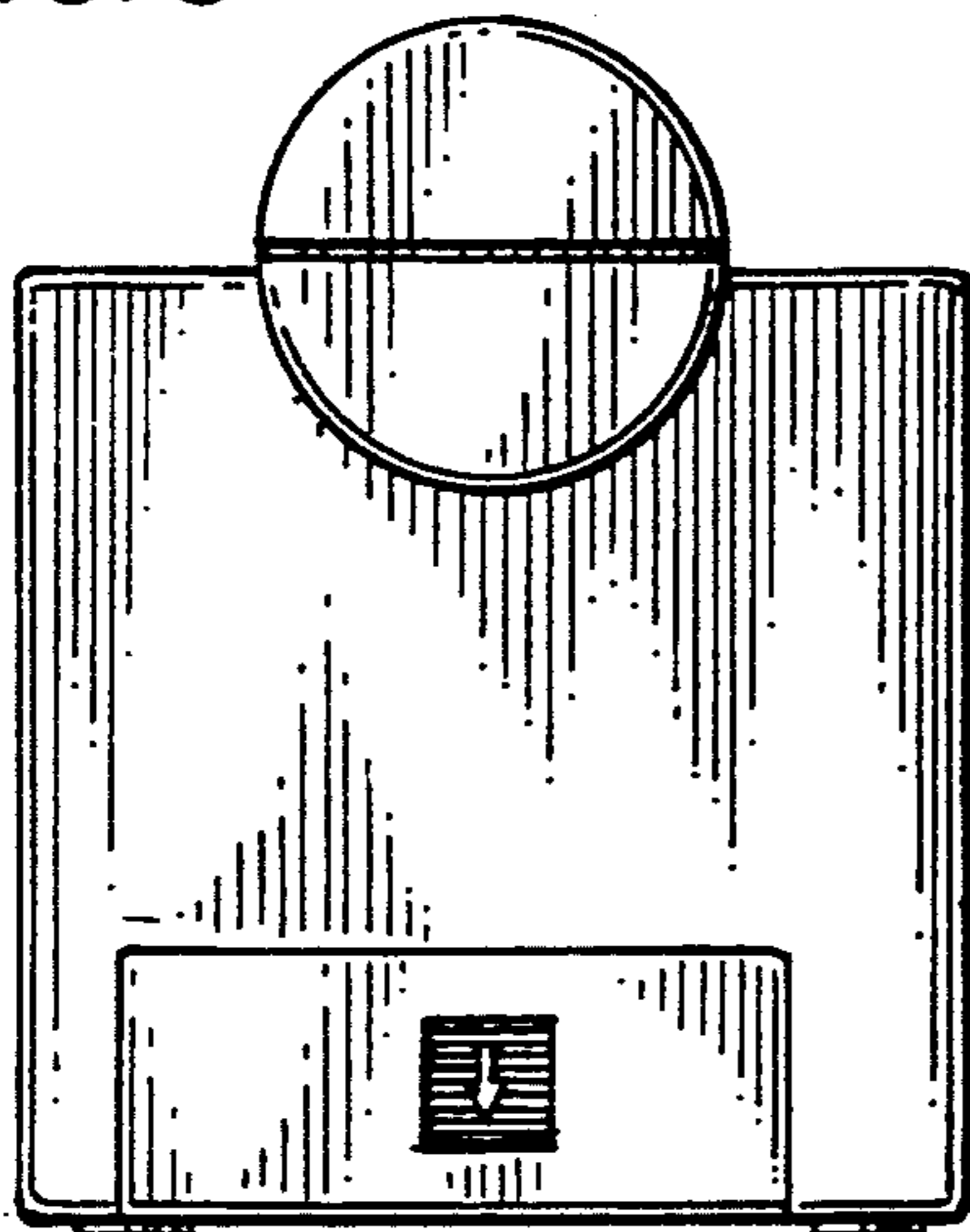


FIG. 6

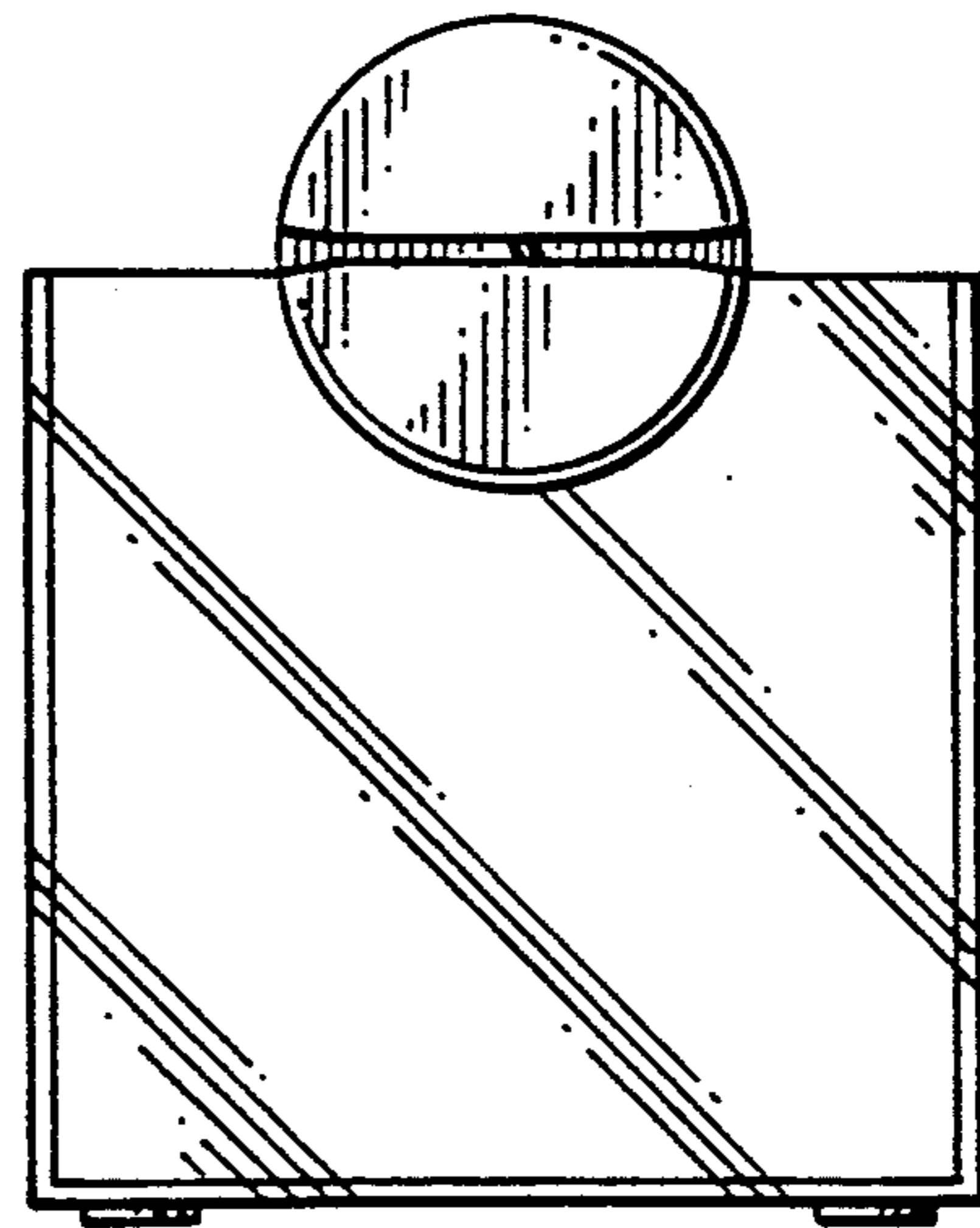


FIG. 7

