



US00D329046S

United States Patent [19]
Westland

[11] **Patent Number: Des. 329,046**
[45] **Date of Patent: ** Sep. 1, 1992**

[54] **FLOPPY DISK DRIVE SECURITY LOCK**

4,907,111 3/1990 Derman 70/14 X
4,947,661 8/1990 Yoshida 70/57

[76] **Inventor: Donald R. Westland, 6030 Croft Ave., Los Angeles, Calif. 90056**

[**] **Term: 14 Years**

Primary Examiner—Wallace R. Burke
Assistant Examiner—Freda S. Nunn
Attorney, Agent, or Firm—Albert O. Cota

[21] **Appl. No.: 428,657**

[57] **CLAIM**

[22] **Filed: Oct. 30, 1989**

The ornamental design for a floppy-disk drive security lock, as shown and described.

[52] **U.S. Cl. D14/114; D8/331**

[58] **Field of Search D14/114, 109; 235/130 R; 379/445, 451; 70/57, 57.1, 58, 14, 232, 236; 200/43.01; 369/77.2, 292; 360/86, 97.02, 97.01; 248/553; D8/330, 331, 343, 346**

DESCRIPTION

FIG. 1 is an enlarged perspective view of a floppy disk drive security lock showing my new design, the disk drive is shown in broken lines for illustrative purposes only and forms no part of the claimed design;

[56] **References Cited**

U.S. PATENT DOCUMENTS

D. 308,052 5/1990 Darden et al. D14/114 X
4,585,202 4/1986 Parsekian 70/58 X
4,655,057 4/1987 Derman 70/58 X
4,794,587 12/1988 Cordiano 70/58 X

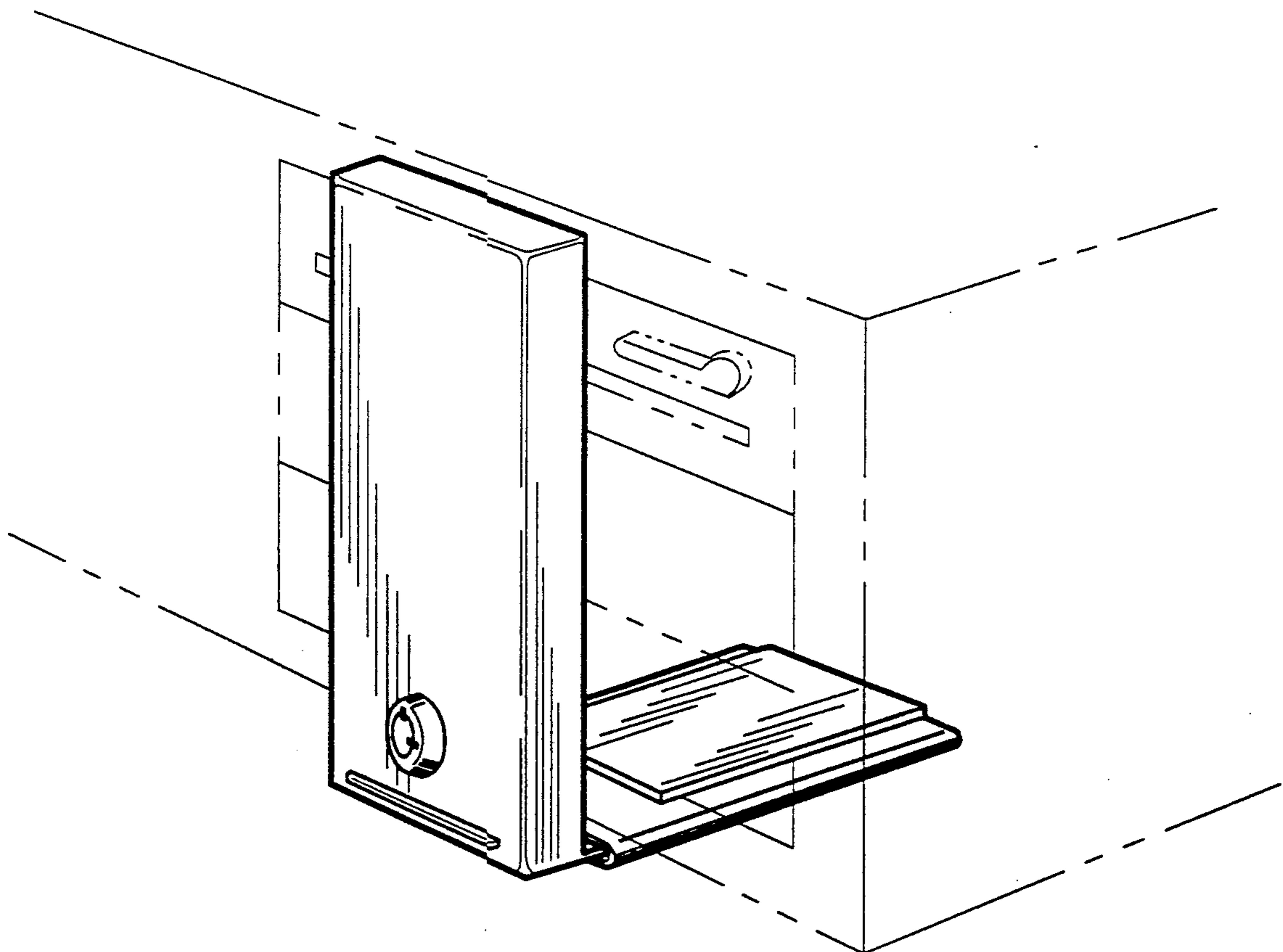
FIG. 2 is a top plan view thereof;

FIG. 3 is a right side elevational view thereof, the left side elevational being a mirror image;

FIG. 4 is a front elevational view thereof;

FIG. 5 is a back elevational view thereof; and,

FIG. 6 is a bottom plan view thereof.



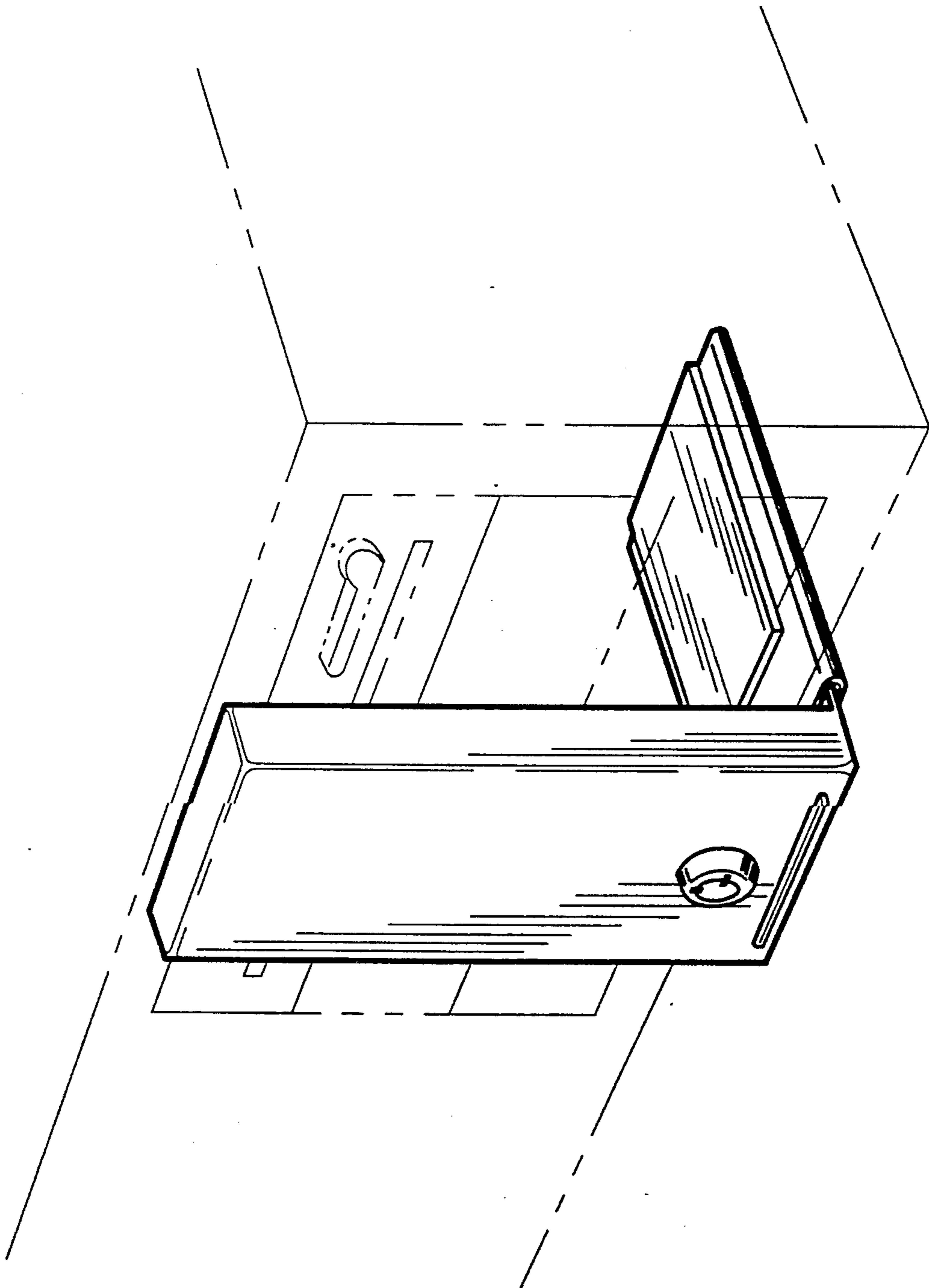


FIG. 1

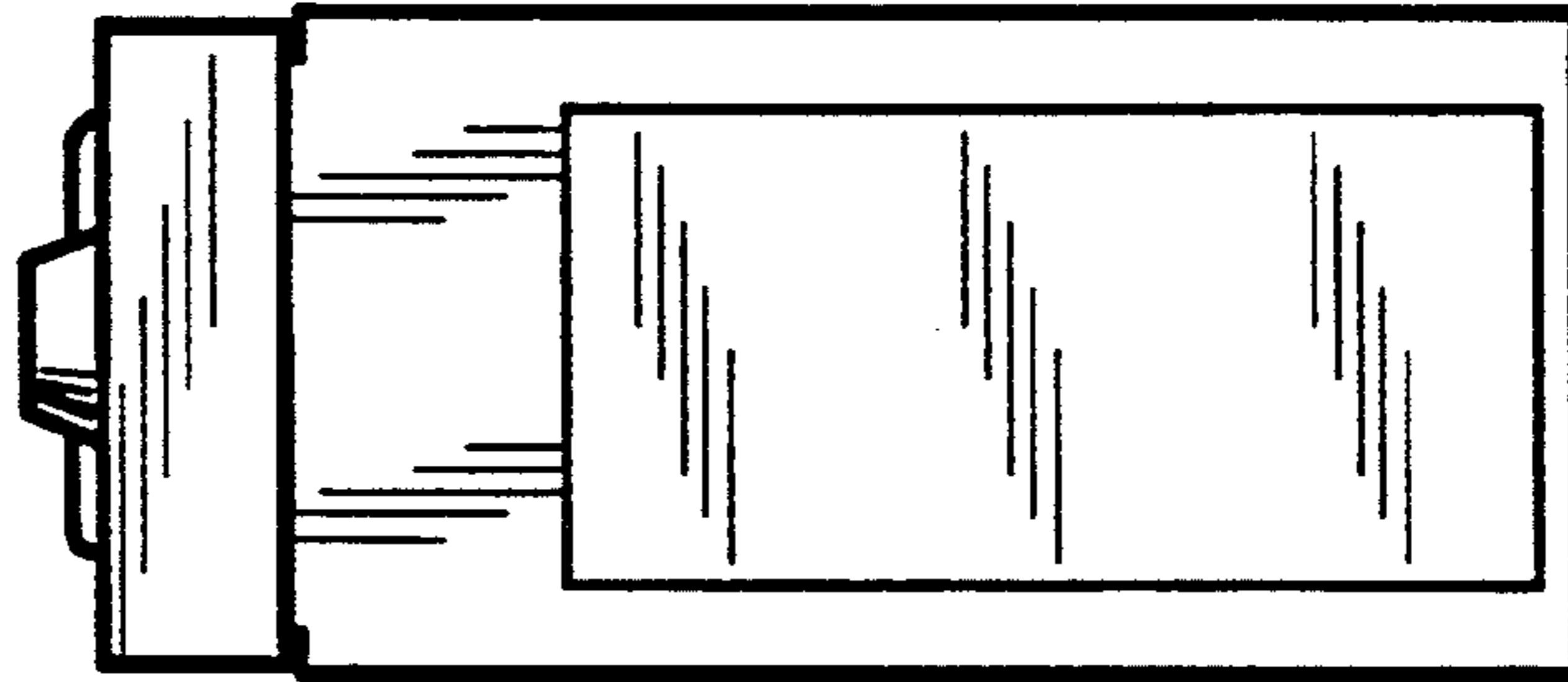


FIG. 2

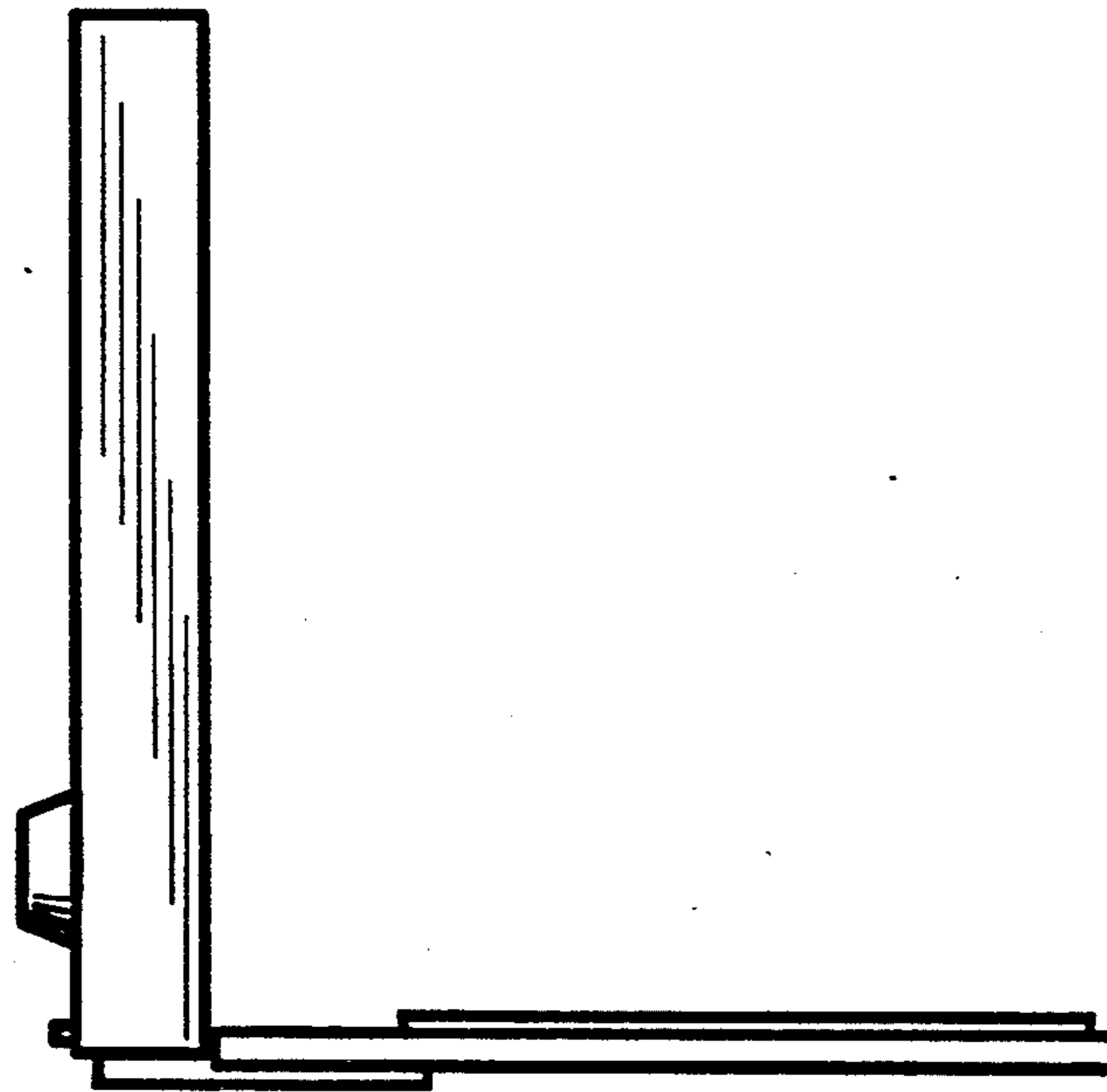


FIG. 3

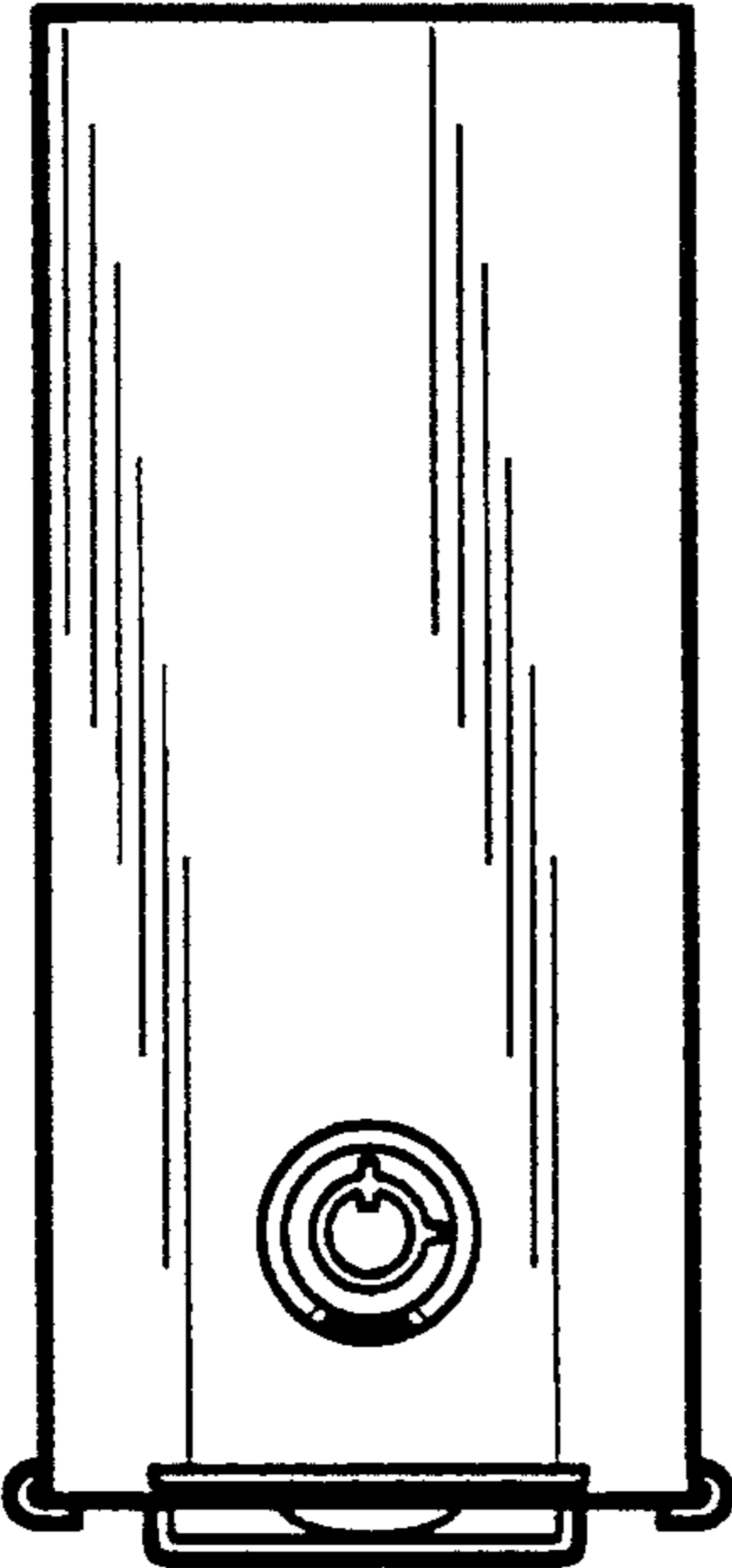


FIG. 4

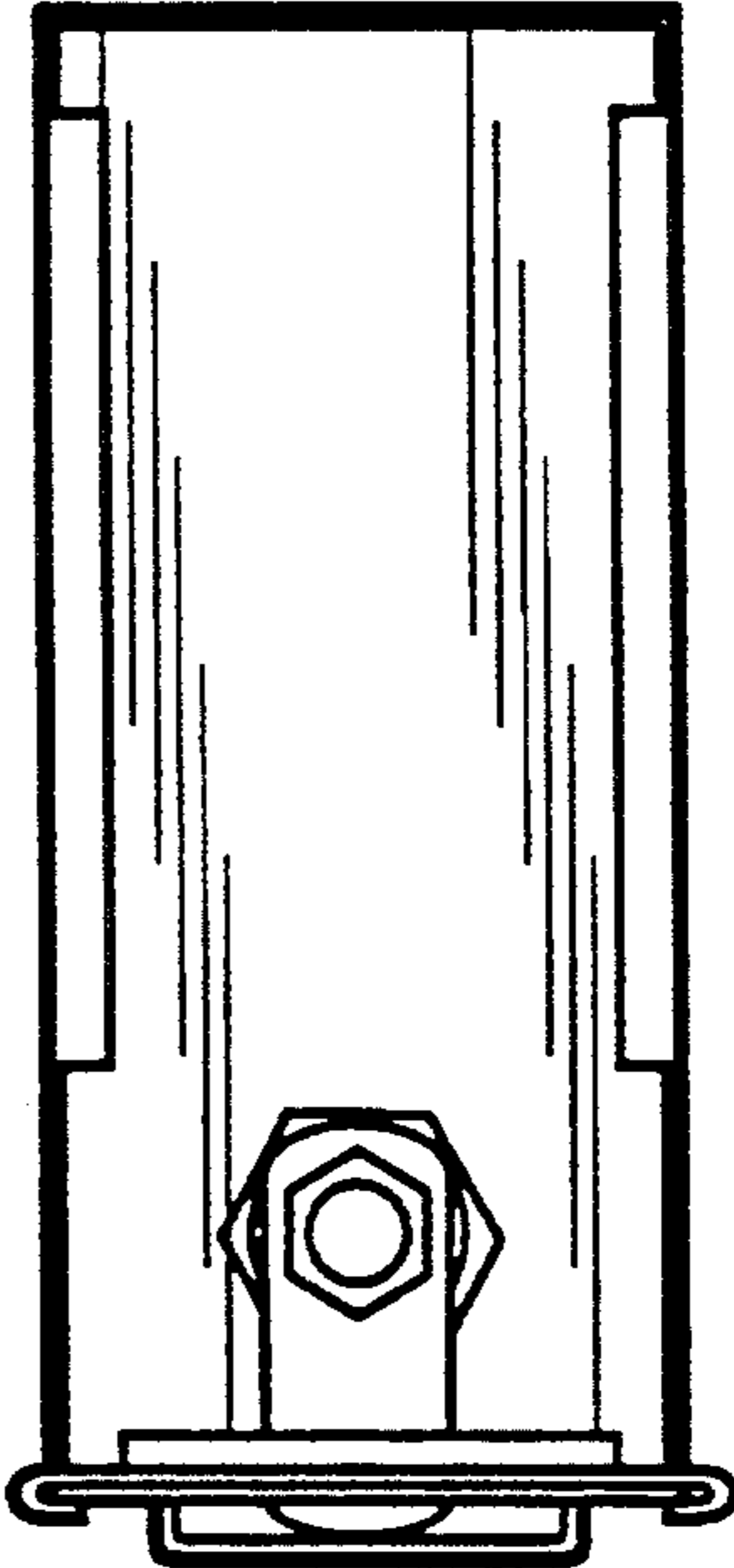


FIG. 5

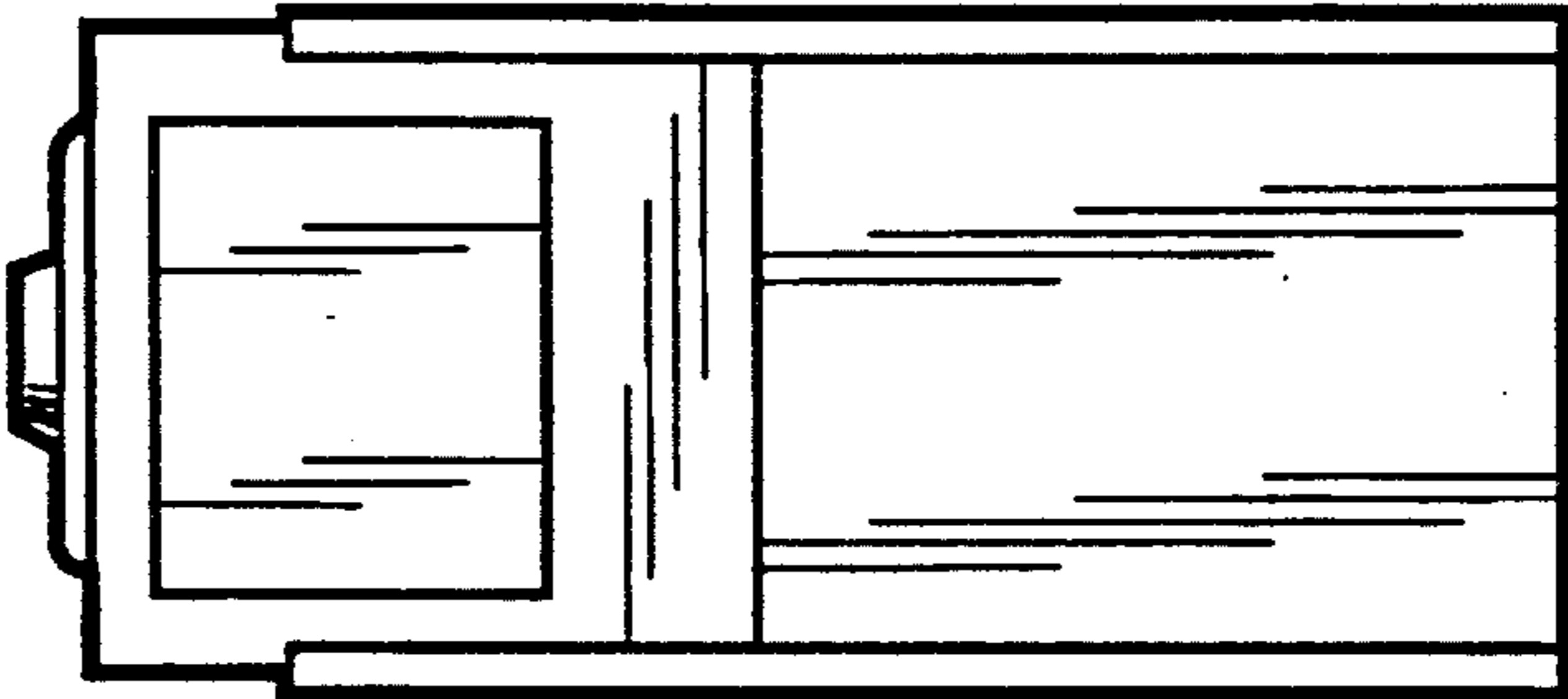


FIG. 6