



US00D329044S

United States Patent [19]

[11] Patent Number: **Des. 329,044**

Kurth et al.

[45] Date of Patent: **** Sep. 1, 1992**

[54] **COMBINED COMPUTER AND SCALE FOR PREPARING MIXTURES OF PAINTS, COLORS AND LACQUERS**

[75] Inventors: **Egon Kurth, Neu-Isenburg; Wolfgang Eyssen, Rödermark, both of Fed. Rep. of Germany**

[73] Assignee: **CONNEX Datasysteme und Beratungsgesellschaft mbH, Griesheim, Fed. Rep. of Germany**

[**] Term: **14 Years**

[21] Appl. No.: **503,161**

[22] Filed: **Apr. 2, 1990**

[52] U.S. Cl. **D14/100; D14/102; D10/88; D10/91**

[58] Field of Search **D14/100, 102, 103, 104; D13/162, 163, 184, 199; D21/13; 353/27 R; D18/36; D16/223, 225; 358/249, 254; 361/380-385, 390-395, 412; 355/212; 354/80-82; D10/87, 88, 91; 177/25.11, 26, 238, 239, 241**

[56] References Cited

U.S. PATENT DOCUMENTS

D. 243,624	3/1977	Takaichi	D21/13
D. 276,538	11/1984	Nishida	D16/225 X
D. 280,712	9/1985	Cohn et al.	D10/88
2,847,901	8/1958	Sassaman et al.	353/27 R
3,515,477	6/1970	Hein et al.	D16/223 X
3,690,753	9/1972	Dahl, Jr.	353/27 R X
3,786,417	1/1974	Carlson	353/27 R X

Primary Examiner—Wallace R. Burke
Assistant Examiner—Freda S. Nunn
Attorney, Agent, or Firm—Burns, Doane, Swecker & Mathis

[57] CLAIM

The ornamental design for a combined computer and scale for preparing mixtures of paints, colors and lacquers, as shown and described.

DESCRIPTION

FIG. 1 is a front perspective view of a combined computer and scale for preparing mixtures of paints, colors and lacquers showing our new design; FIG. 2 is a front elevational view thereof; FIG. 3 is a rear elevational view thereof; FIG. 4 is a top plan view thereof; FIG. 5 is a left side elevational view thereof; FIG. 6 is a right side elevational view thereof; and, FIG. 7 is a bottom plan view thereof.

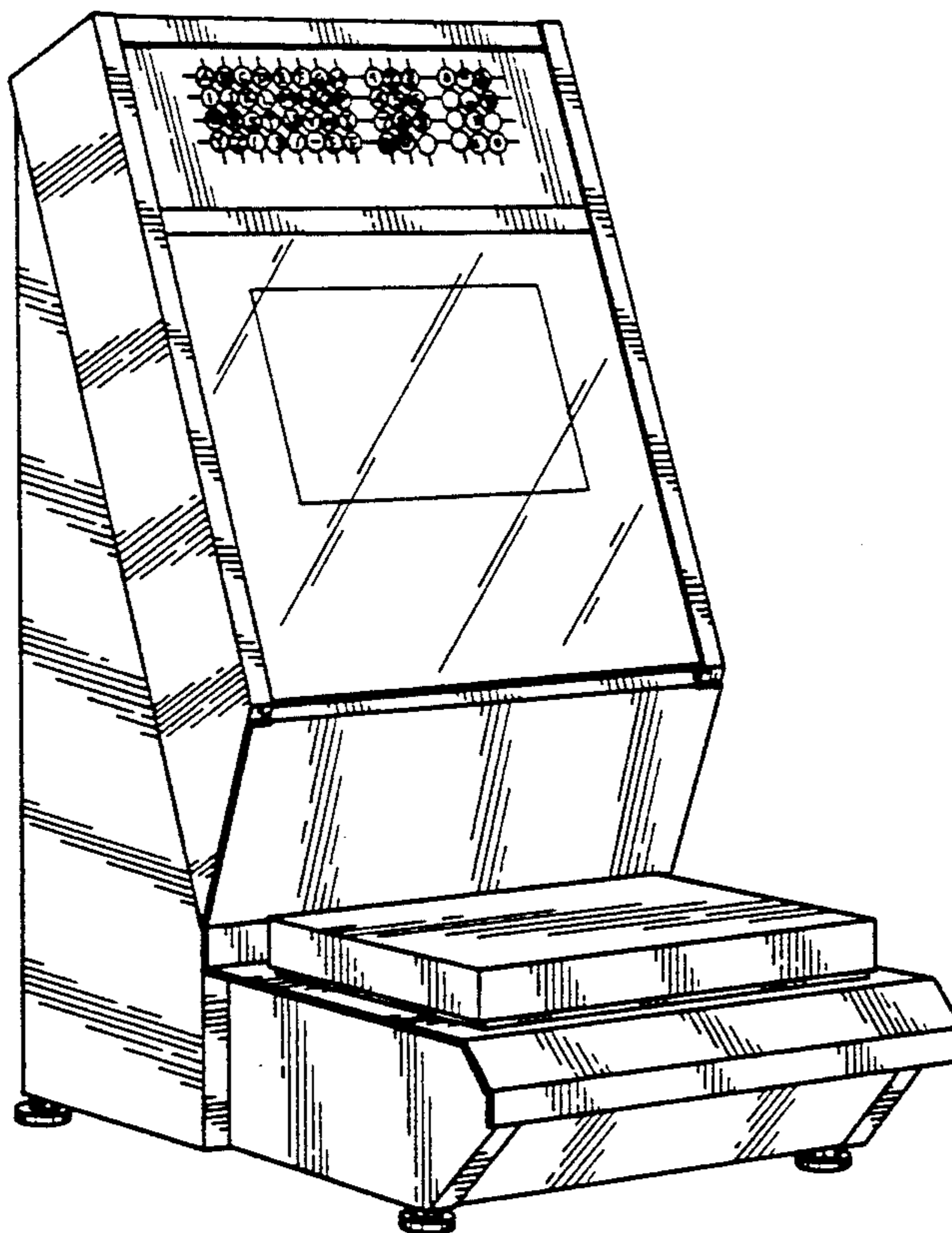


FIG. 1

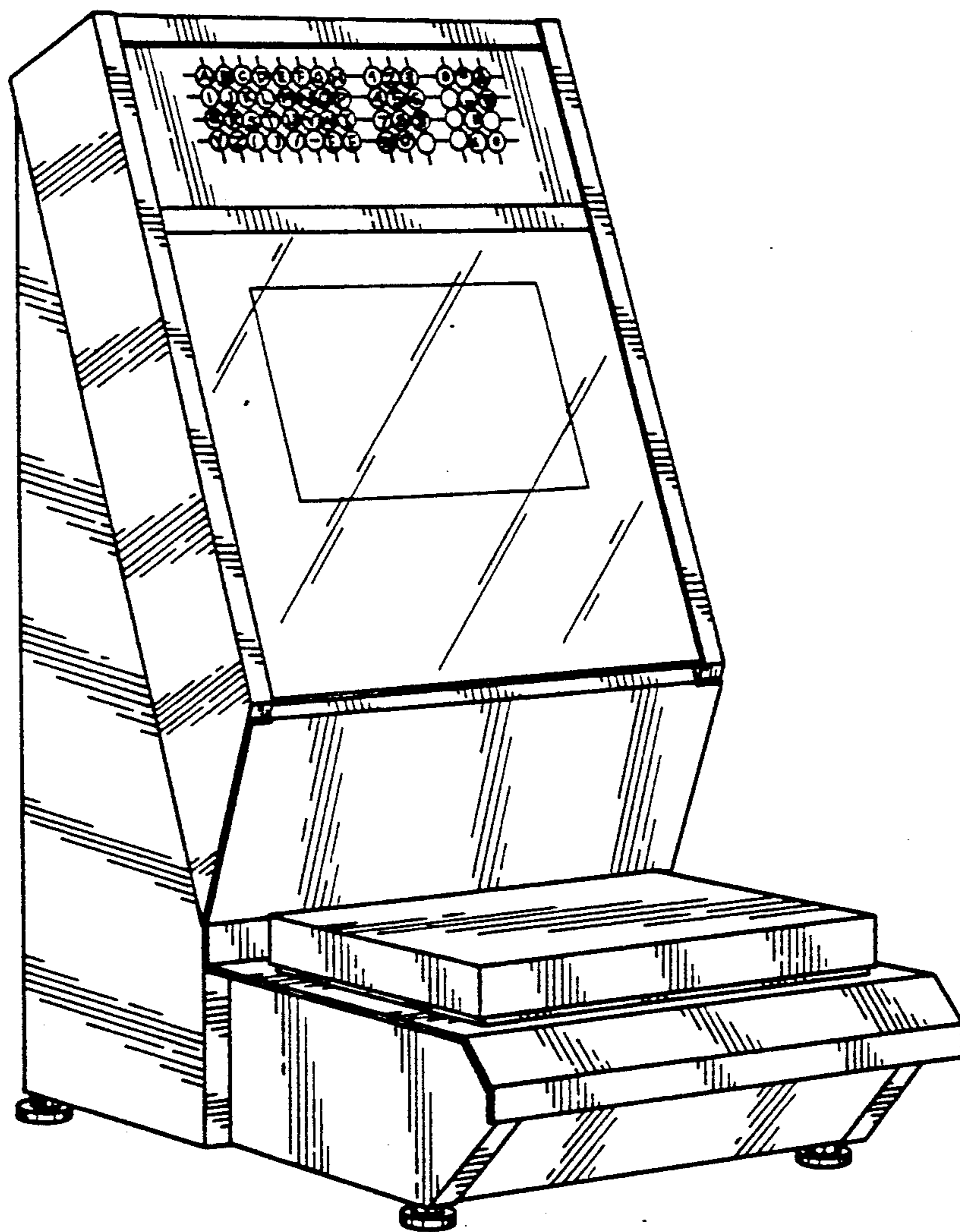


FIG. 2

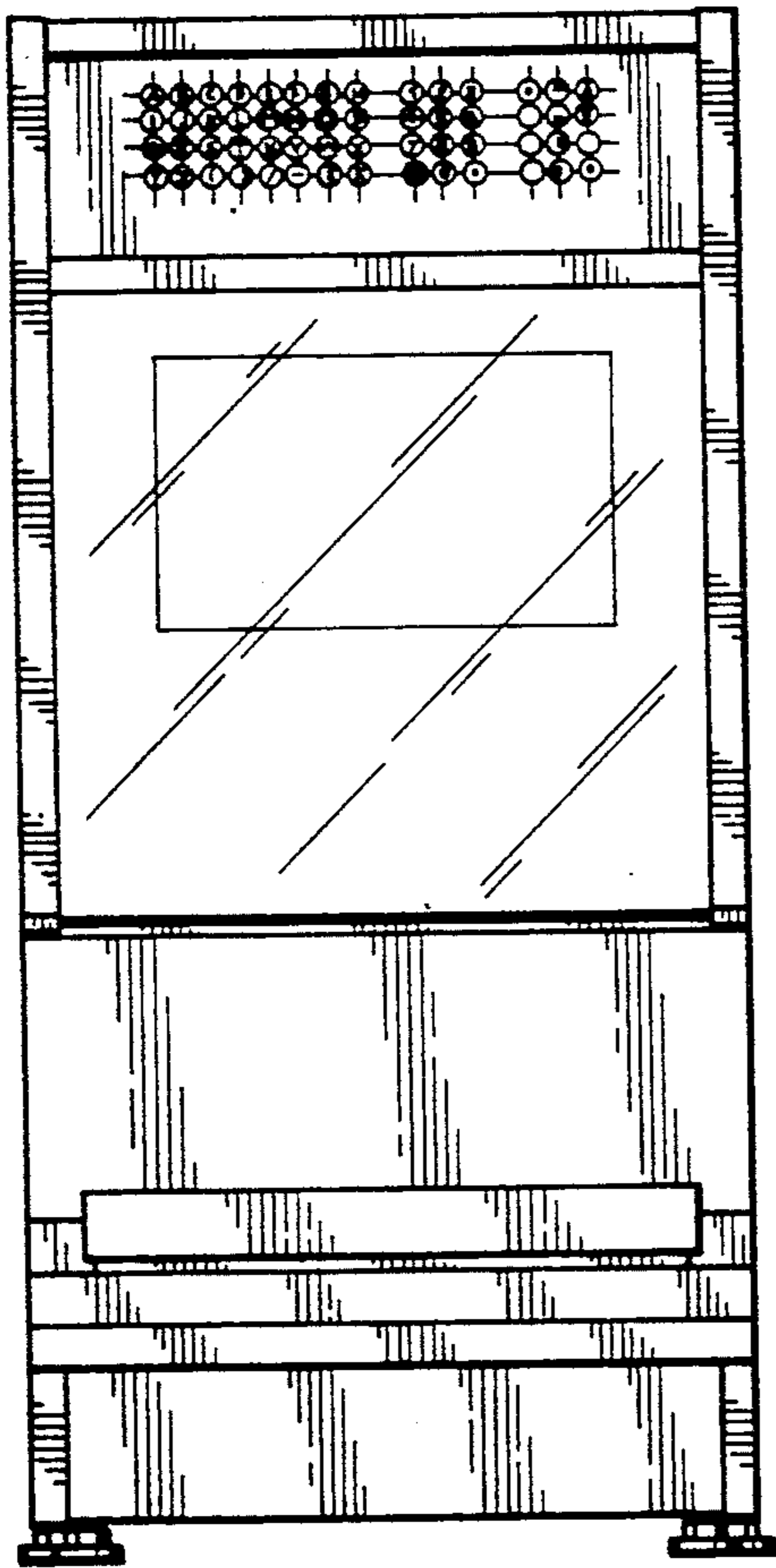
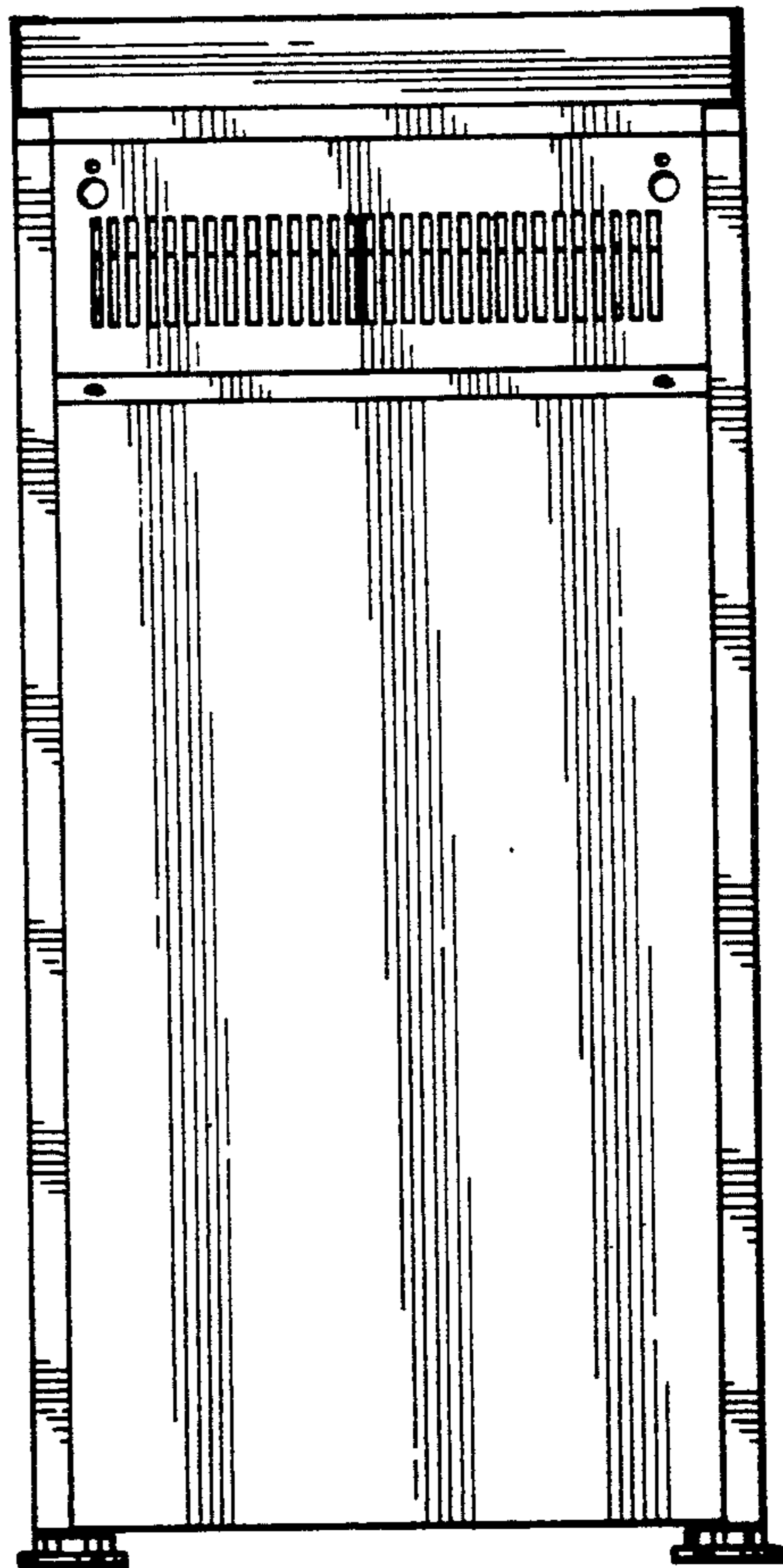


FIG. 3



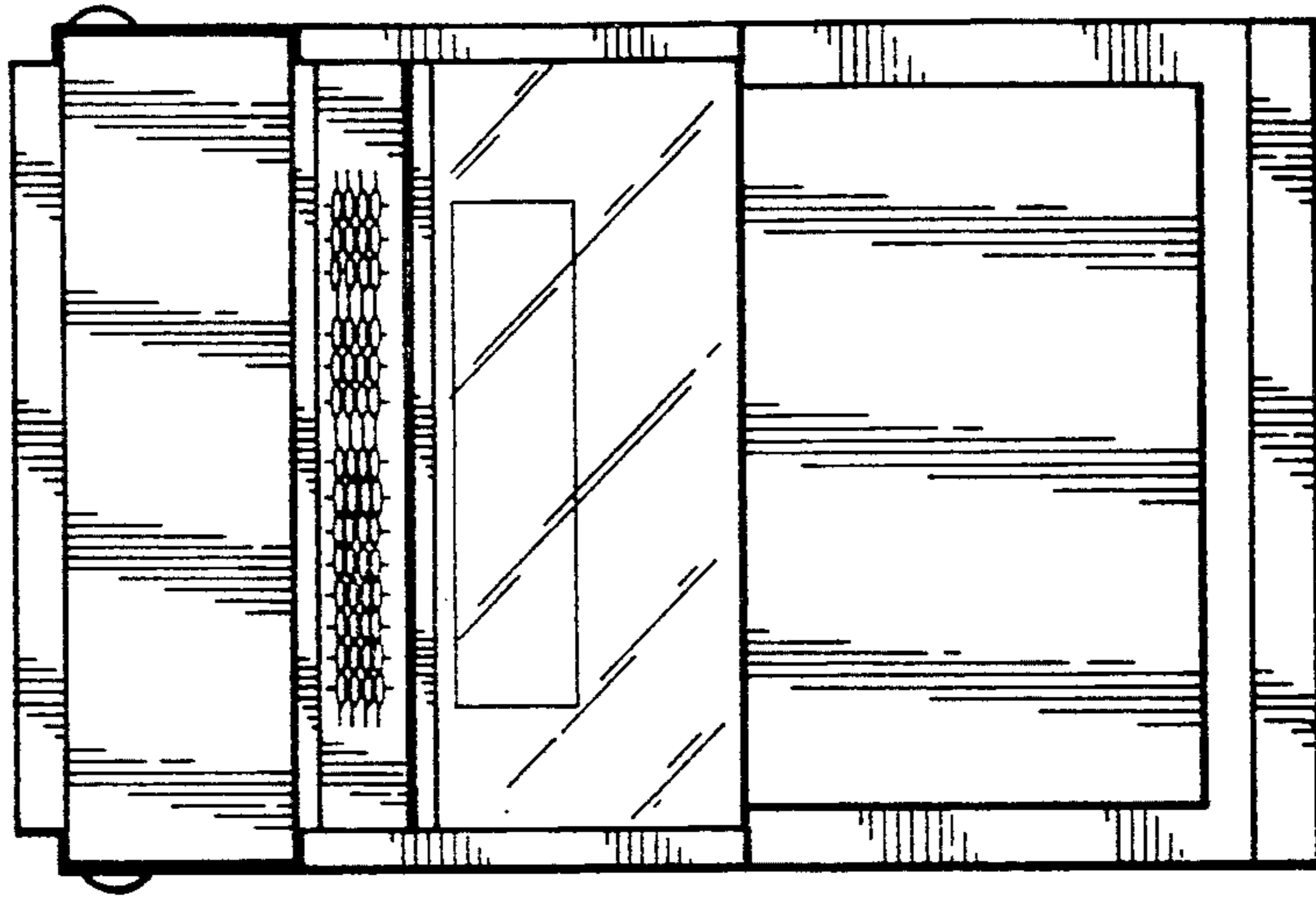


FIG. 4

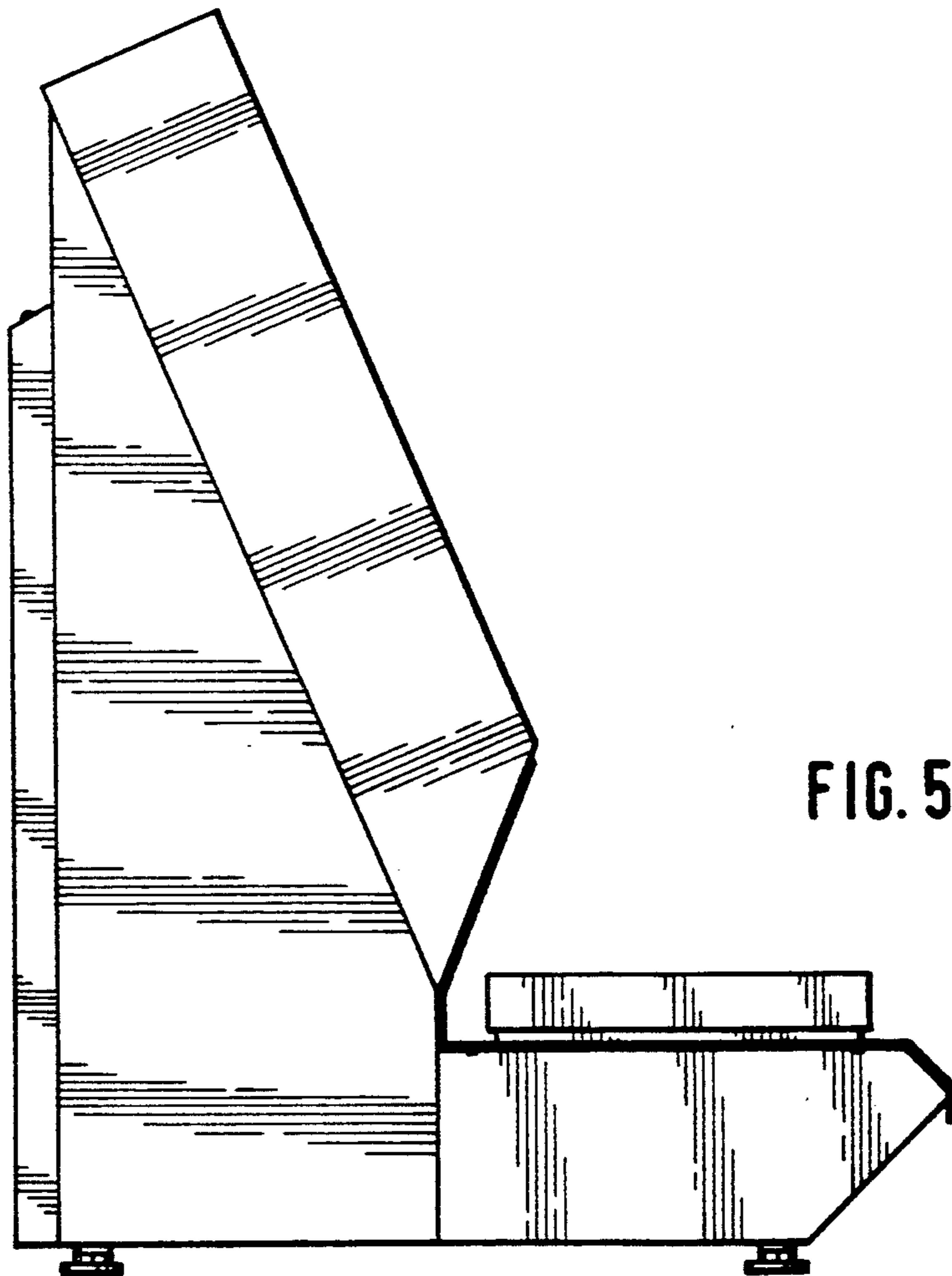


FIG. 5

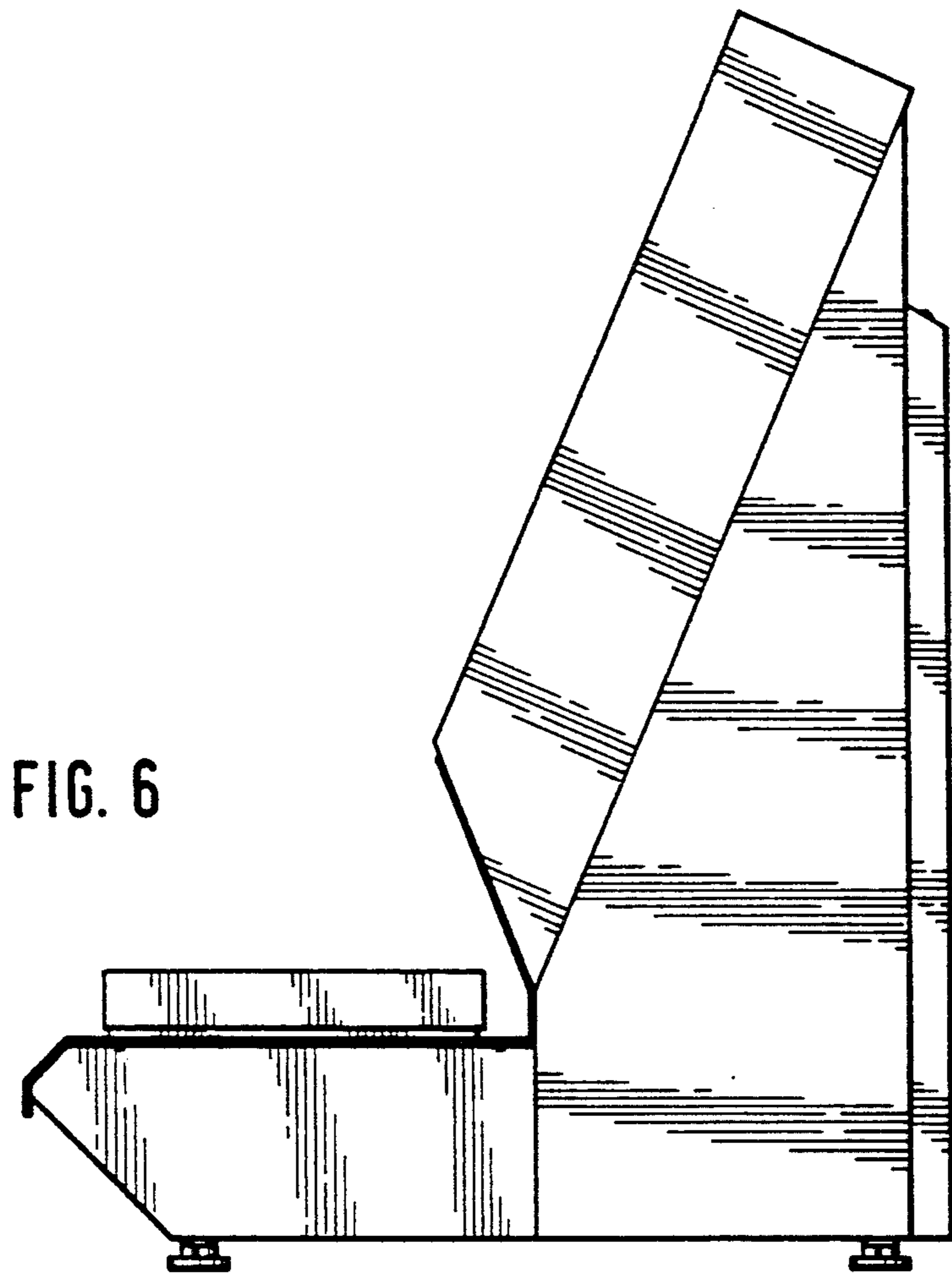


FIG. 7

