



US00D329043S

United States Patent [19]

[11] Patent Number: **Des. 329,043**

Rogers et al.

[45] Date of Patent: **** Sep. 1, 1992**

[54] **INSULATING THROUGH-BUSHING FOR AN ELECTRICAL CONDUCTOR**

[75] Inventors: **Edward J. Rogers, Chicago; Leonard V. Chabala, Maywood, both of Ill.**

[73] Assignee: **S&C Electric Company, Chicago, Ill.**

[**] Term: **14 Years**

[21] Appl. No.: **252,711**

[22] Filed: **Oct. 3, 1988**

Related U.S. Application Data

[63] Continuation-in-part of Ser. No. 112,841, Oct. 23, 1987.

[52] U.S. Cl. **D13/155**

[58] Field of Search 174/153 R, 154, 142; D15/143, 154, 155; D13/154, 155

[56] References Cited

U.S. PATENT DOCUMENTS

2,030,370	9/1931	Hodtum	174/153 R
3,202,757	8/1965	Carlson et al.	174/153 R
3,388,212	6/1968	Nichols et al.	174/153 R
3,708,612	1/1973	Saxon et al.	174/153 R X
4,214,118	7/1980	Gray	174/153 R X

FOREIGN PATENT DOCUMENTS

258802	4/1913	Fed. Rep. of Germany	174/142
886327	8/1953	Fed. Rep. of Germany	174/153

OTHER PUBLICATIONS

Georg Jordan GMBH Catalog Information (2 pp.).

S&C Information Bulletin 102 dated Apr. 1989 (see p. 56).

U.S. application Ser. No. 07/112,841 filed Oct. 23, 1987 (now abandoned).

Lapp Insulator Company, LeRoy, New York, Catalog Number 8 (p. 131) 1959.

Power Circuit Breaker Theory and Design, (pp. 540-541)

Edited by C. H. Flursheim, IEE Monograph Series 17, 1975, Southgate, England.

Primary Examiner—Wallace R. Burke

Assistant Examiner—H. Baynham

Attorney, Agent, or Firm—James V. Lapacek

[57] CLAIM

The ornamental design for an insulating through-bushing for an electrical conductor, as shown and described.

DESCRIPTION

FIG. 1 is a perspective view of an insulating through bushing for an electrical conductor showing my new design;

FIG. 2 is a front elevational view thereof;

FIG. 3 is a right side elevational view thereof;

FIG. 4 is a left side elevational view thereof; and,

FIG. 5 is a sectional view taken along the line 5—5 of FIG. 2.

The broken line showing of the element passing through the bushing is for illustrative purposes only and forms no part of the claimed design.

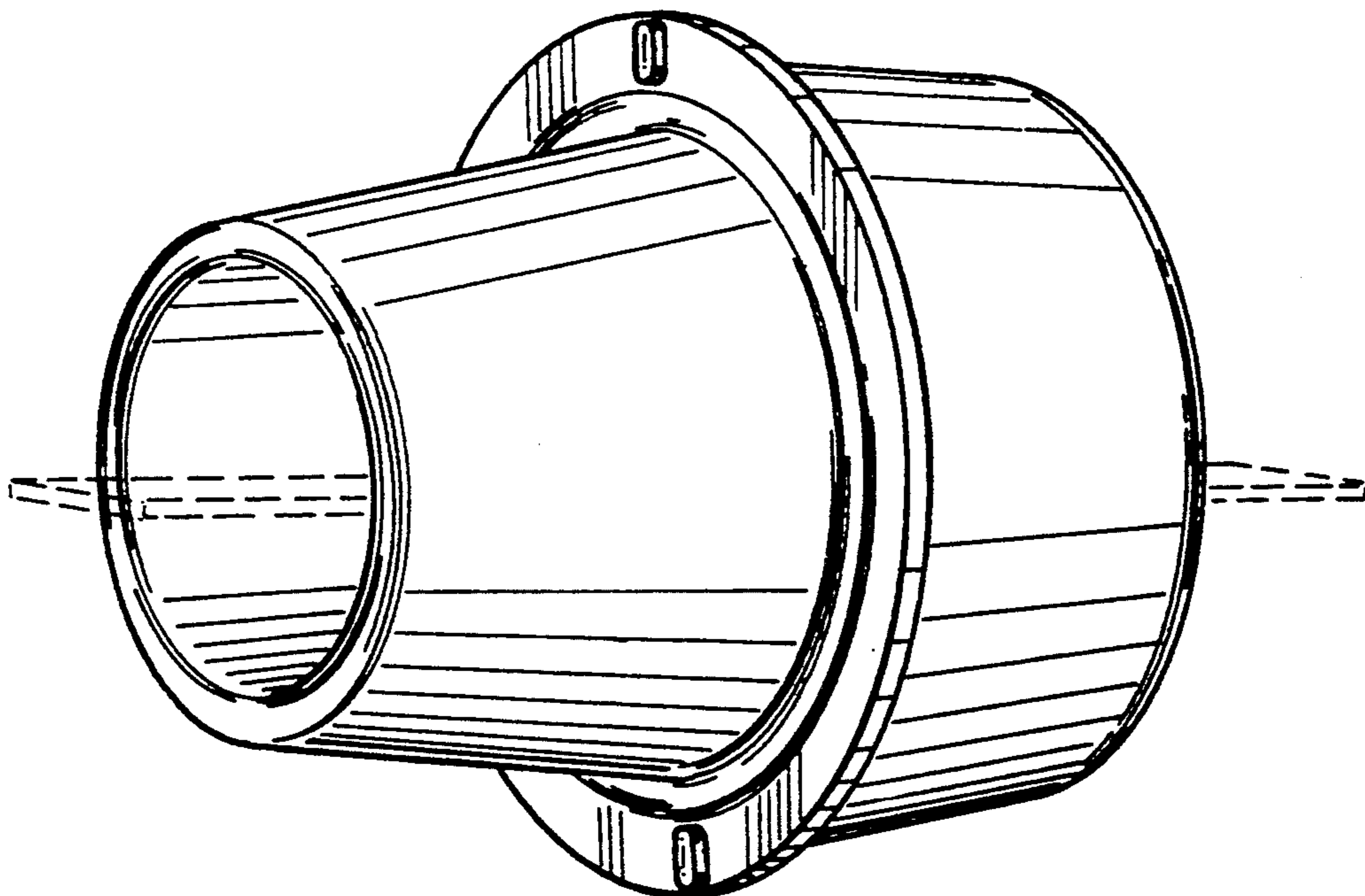


FIG. 1

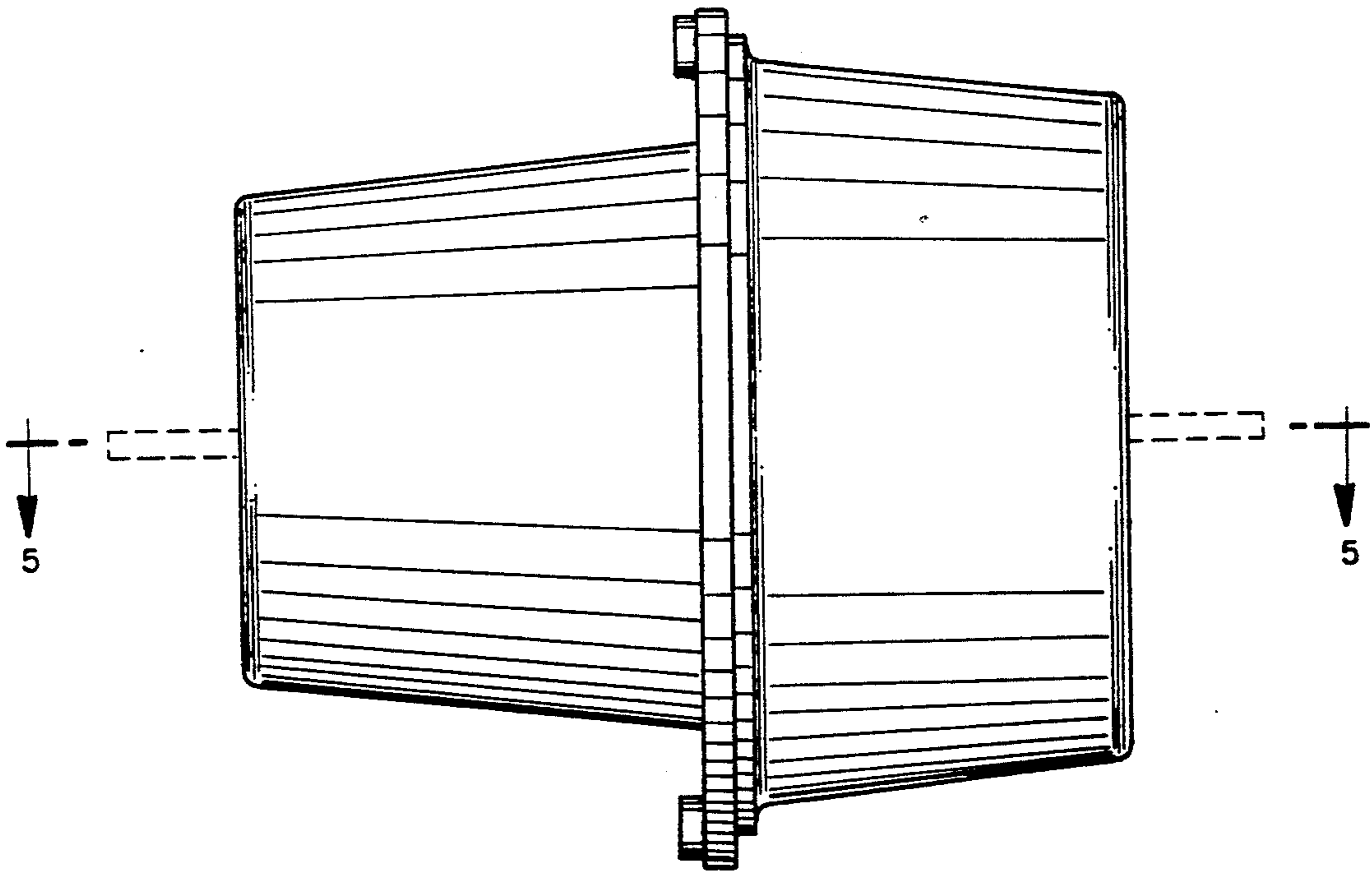
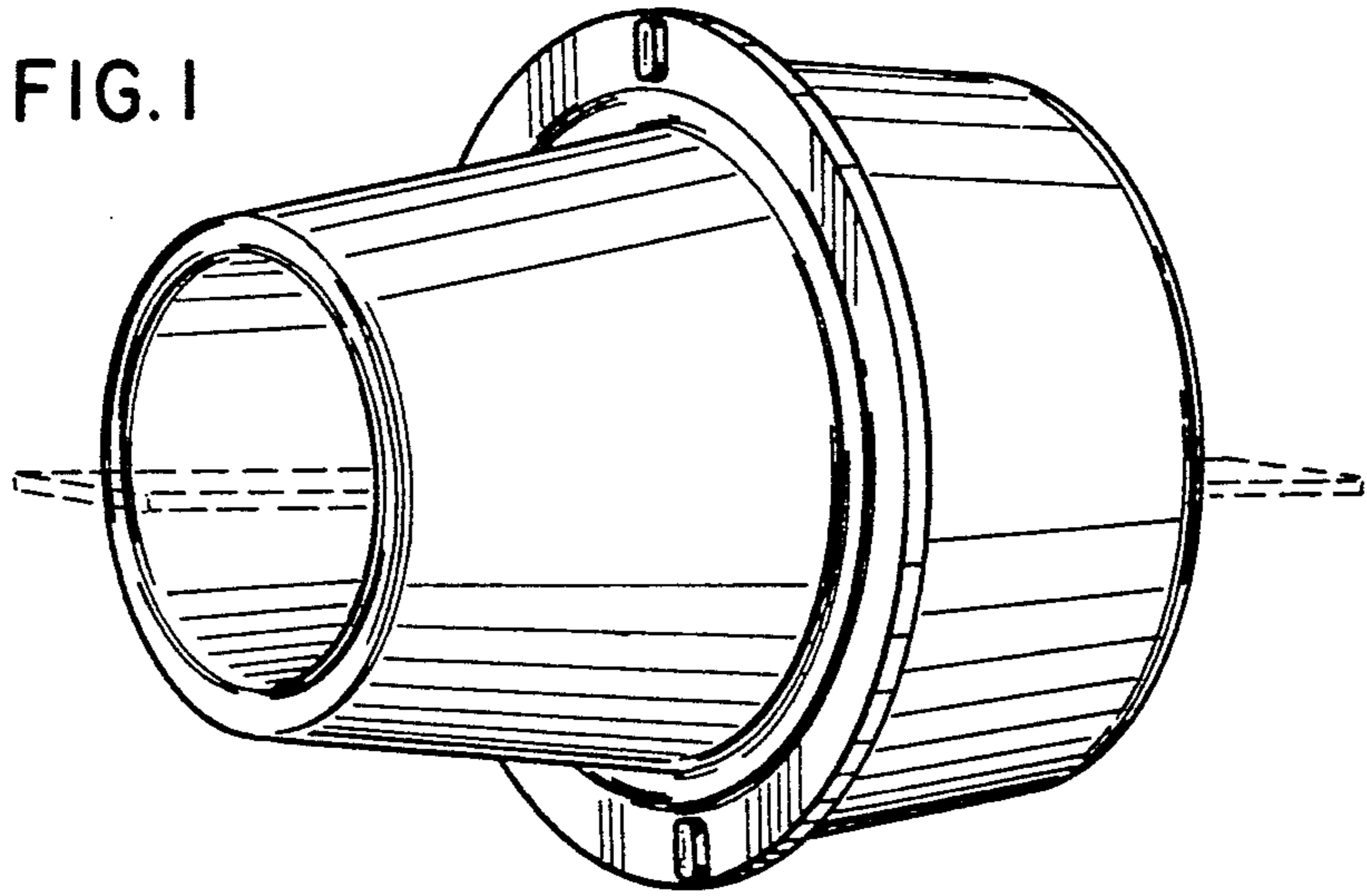


FIG. 2

FIG. 3

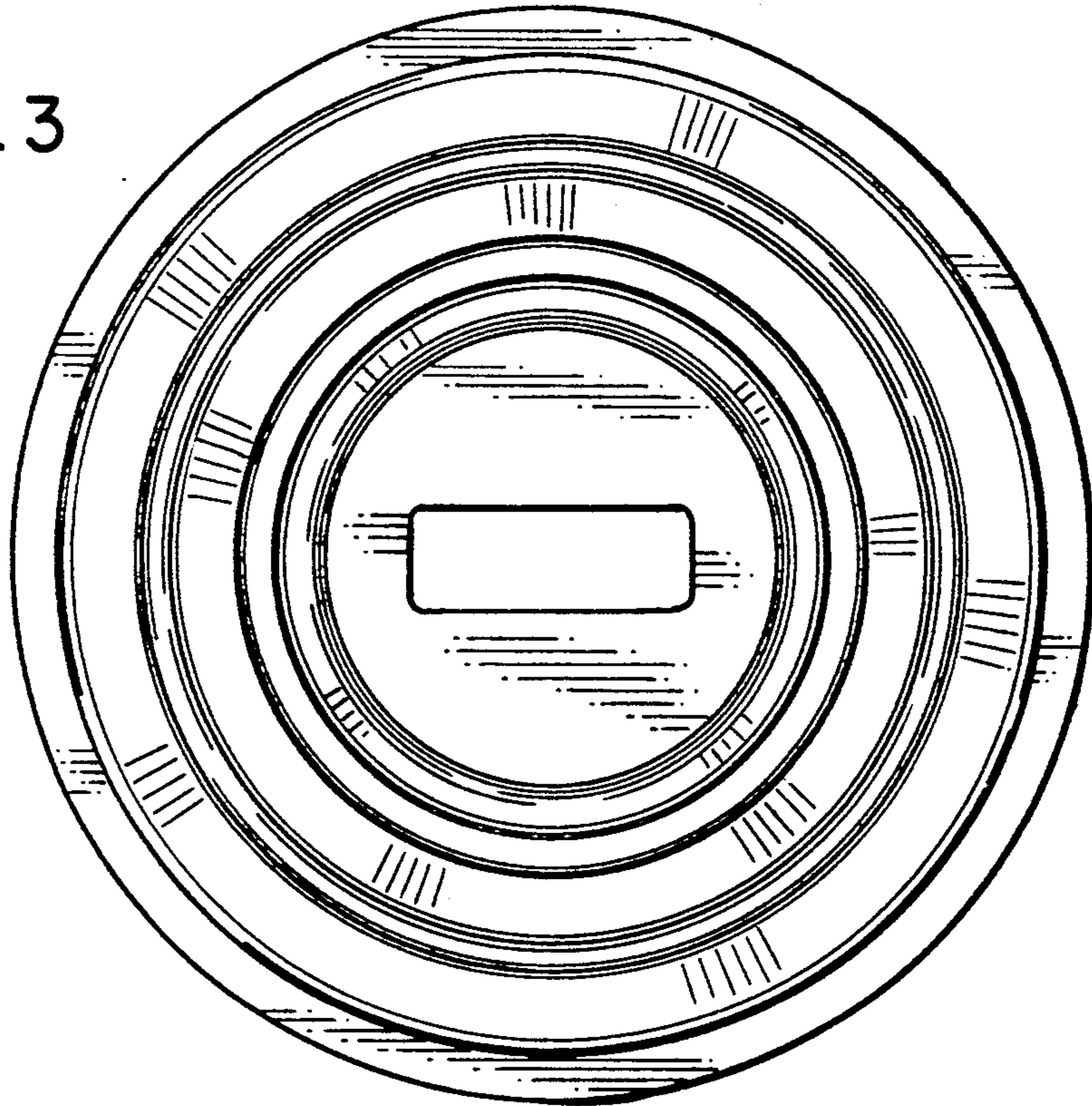


FIG. 4

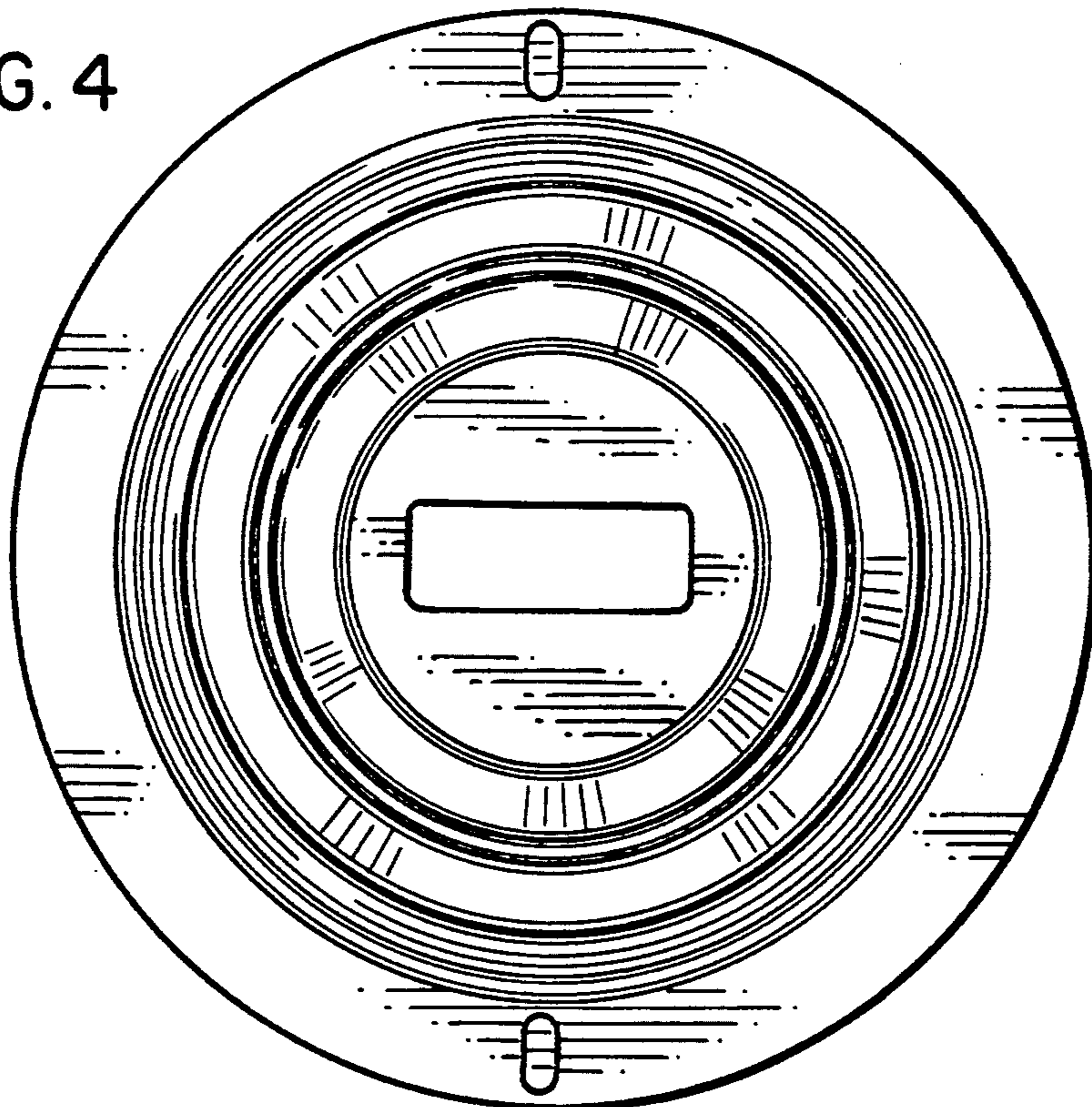


FIG. 5

