



US00D329041S

# United States Patent [19]

[11] Patent Number: **Des. 329,041**

Masuda et al.

[45] Date of Patent: **\*\* Sep. 1, 1992**

[54] **INDUCTOR FOR USE IN CIRCUITS FOR DIGITAL COMMUNICATIONS**

[75] Inventors: **Yoshiaki Masuda; Tokio Tadano; Hiraku Imaizumi**, all of Tokyo, Japan

[73] Assignee: **TDK Corporation**, Tokyo, Japan

[\*\*] Term: **14 Years**

[21] Appl. No.: **408,714**

[22] Filed: **Sep. 18, 1989**

[30] **Foreign Application Priority Data**

Mar. 17, 1989 [JP] Japan ..... 1-9681

Mar. 17, 1989 [JP] Japan ..... 1-9682

Jul. 31, 1989 [JP] Japan ..... 1-28312

[52] U.S. Cl. .... **D13/117**

[58] Field of Search ..... **D13/117, 199; 336/90, 336/96, 98, 192, 198, 205, 208, 210, 212**

[56] **References Cited**

**U.S. PATENT DOCUMENTS**

2,675,526 4/1954 Friberg ..... 336/98 X

2,741,528 4/1956 Clark et al. .... 336/98

3,258,728 6/1966 Wiley et al. .... 336/96 X

3,559,134 1/1971 Daley ..... 336/96

4,725,806 2/1988 Chamberlin ..... 336/192

4,904,973 2/1990 Ikeda ..... 336/192 X

*Primary Examiner*—Susan J. Lucas

*Assistant Examiner*—M. H. Tung

*Attorney, Agent, or Firm*—Helfgott & Karas

[57] **CLAIM**

The ornamental design for an inductor for use in cir-

cuits for digital communications, as shown and described.

### DESCRIPTION

FIG. 1 is a top, side perspective view of an inductor for use in circuits for digital communications showing our new design;

FIG. 2 is a bottom, side perspective view thereof;

FIG. 3 is a front elevational view thereof;

FIG. 4 is a rear elevational view thereof;

FIG. 5 is a left side elevational view thereof;

FIG. 6 is a right side elevational view thereof;

FIG. 7 is a top plan view thereof;

FIG. 8 is a bottom plan view thereof;

FIG. 9 is a top, side perspective view of a second embodiment thereof;

FIG. 10 is a bottom, side perspective view thereof;

FIG. 11 is a front elevational view thereof;

FIG. 12 is a rear elevational view thereof;

FIG. 13 is a left side elevational view thereof;

FIG. 14 is a right side elevational view thereof;

FIG. 15 is a top plan view thereof;

FIG. 16 is a bottom plan view thereof;

FIG. 17 is a top, side perspective view of a third embodiment thereof;

FIG. 18 is a bottom, side perspective view thereof;

FIG. 19 is a front elevational view thereof;

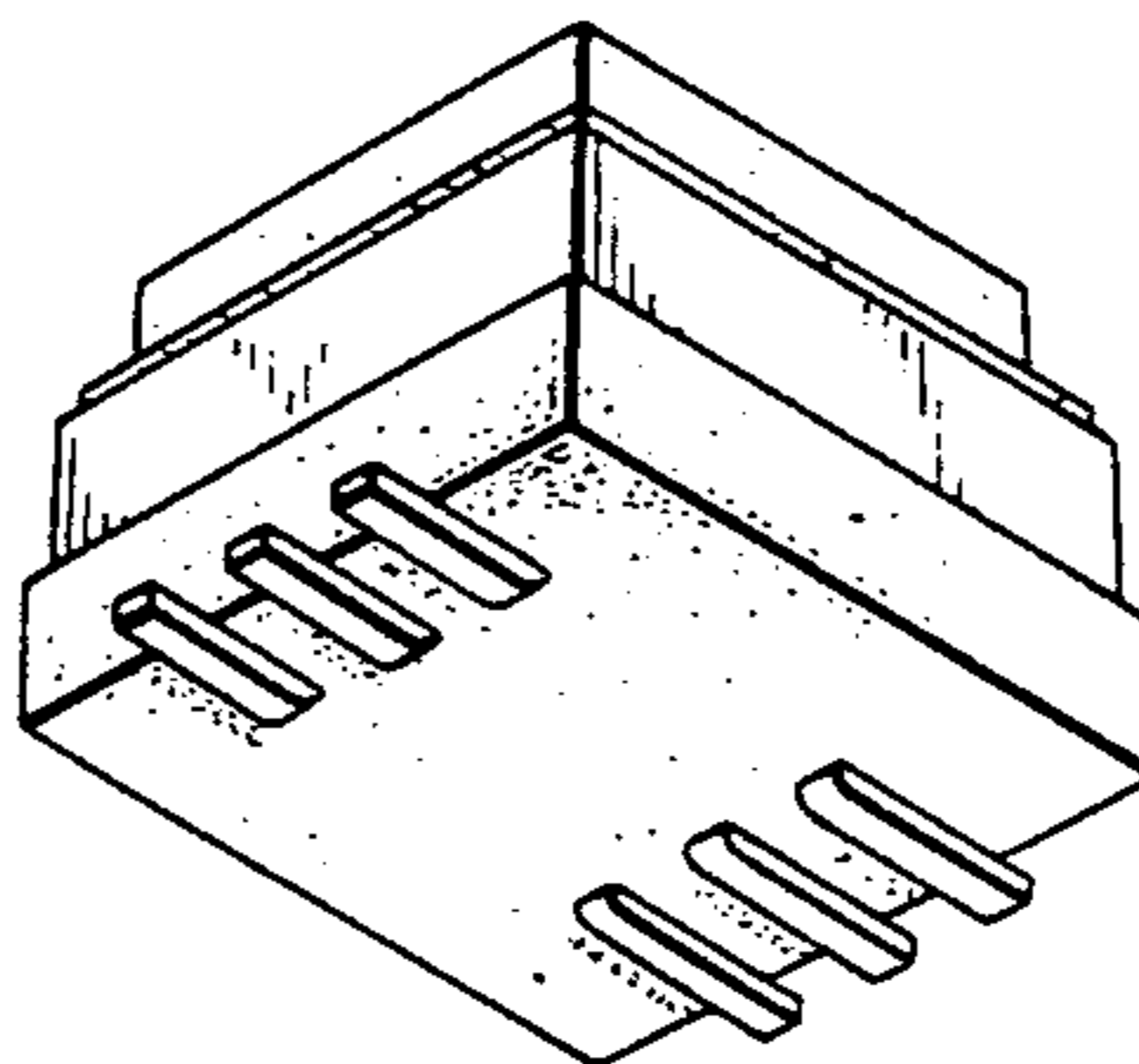
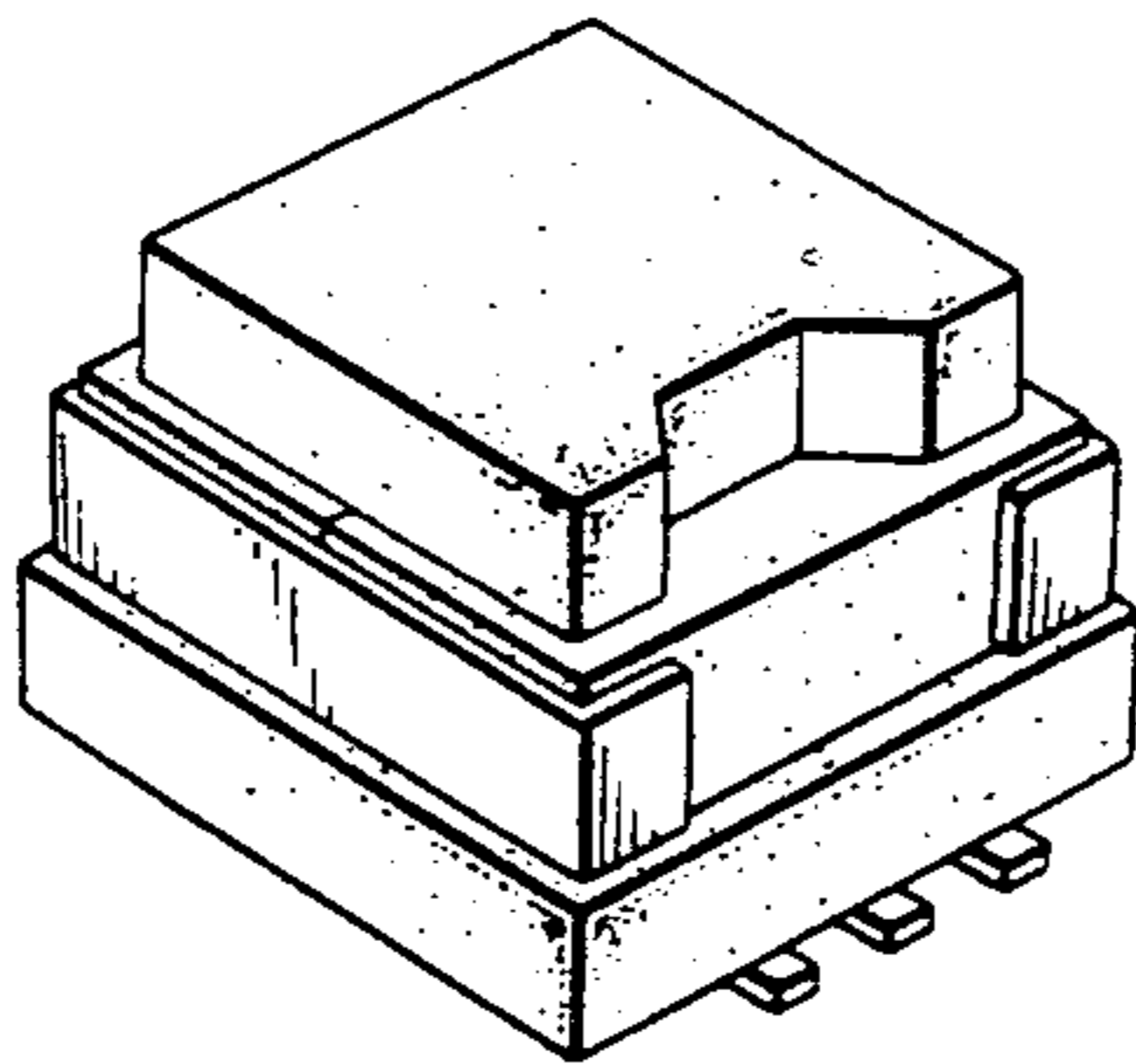
FIG. 20 is a rear elevational view thereof;

FIG. 21 is a left side elevational view thereof;

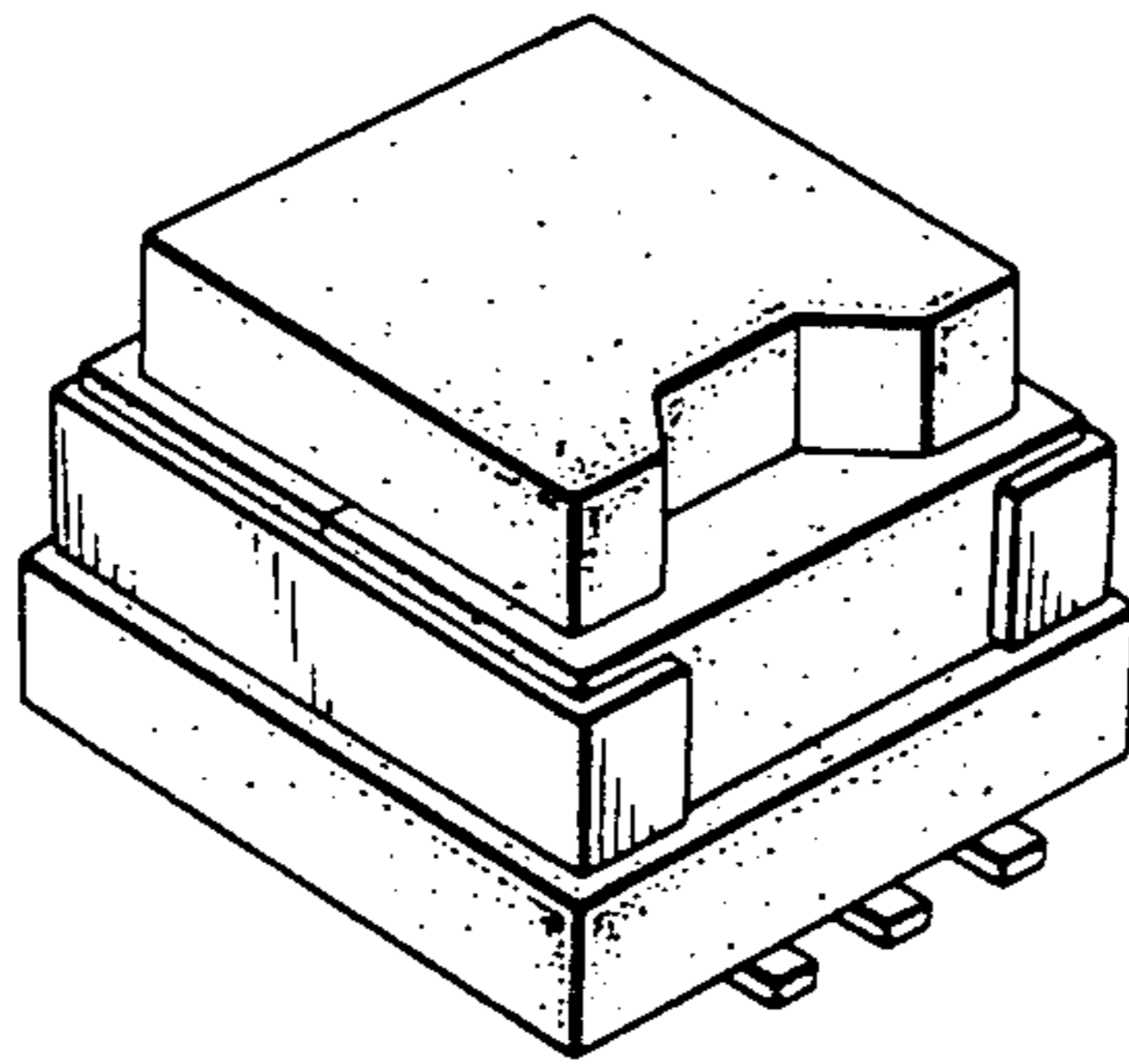
FIG. 22 is a right side elevational view thereof;

FIG. 23 is a top plan view thereof; and,

FIG. 24 is a bottom plan view thereof.



*FIG. 1*



*FIG. 2*

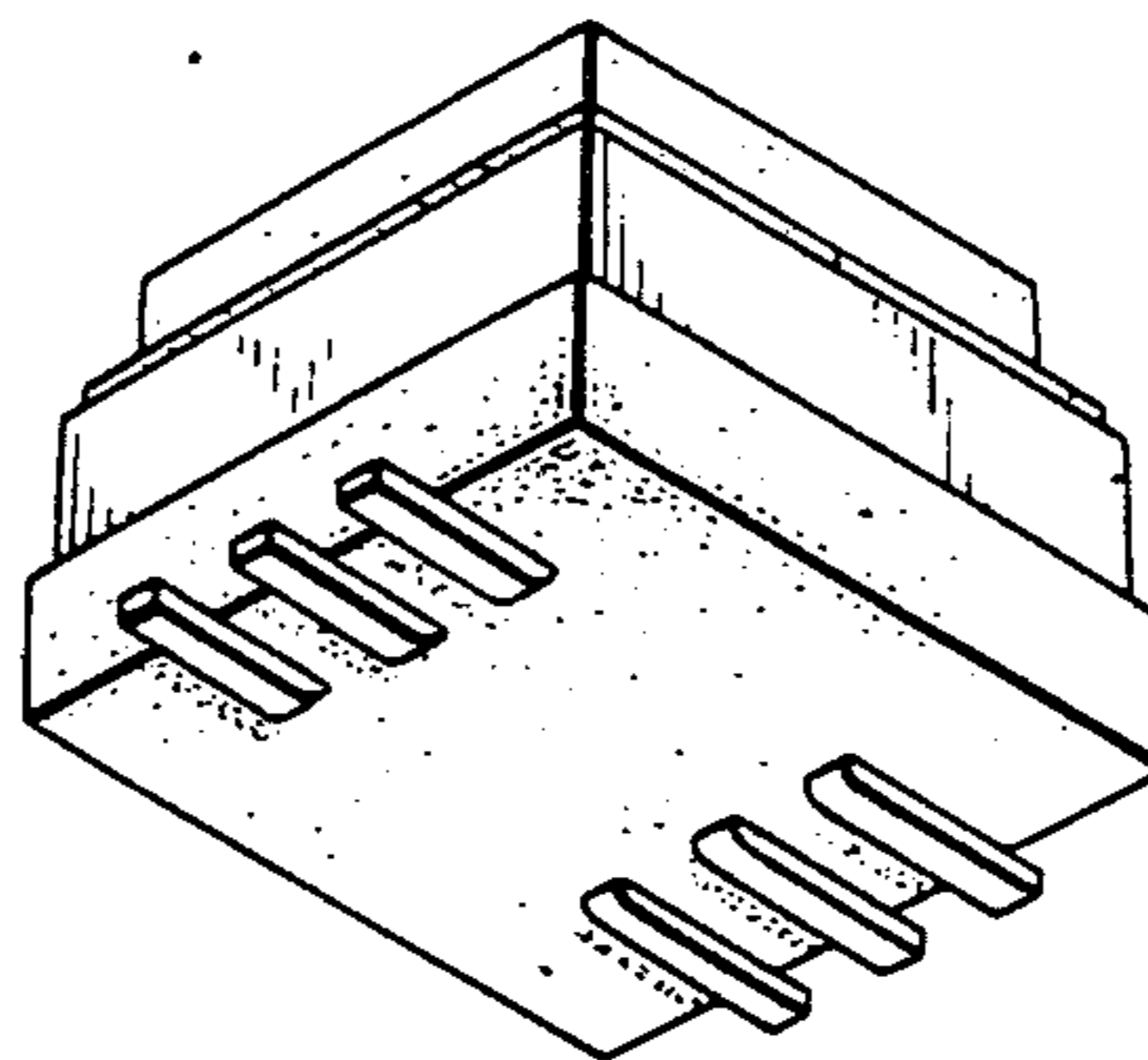


FIG. 3

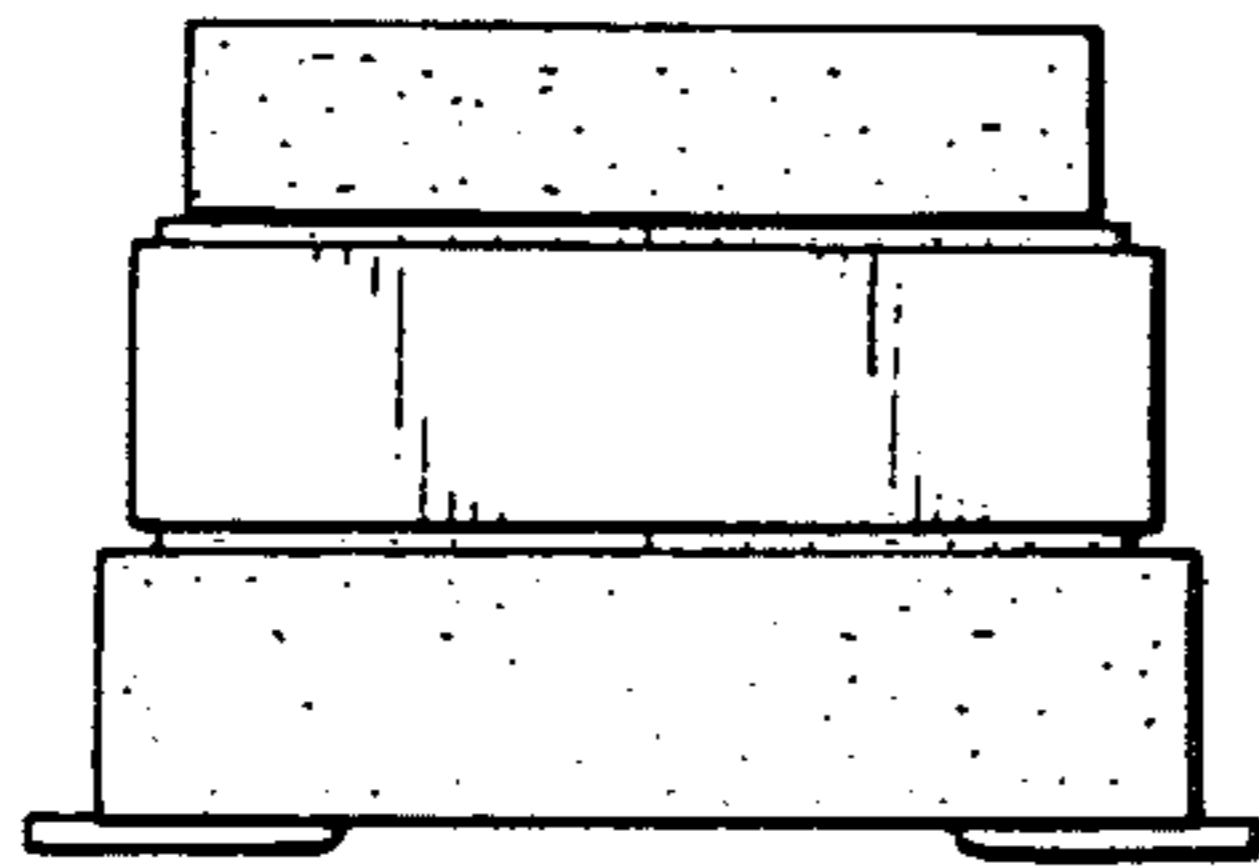


FIG. 4

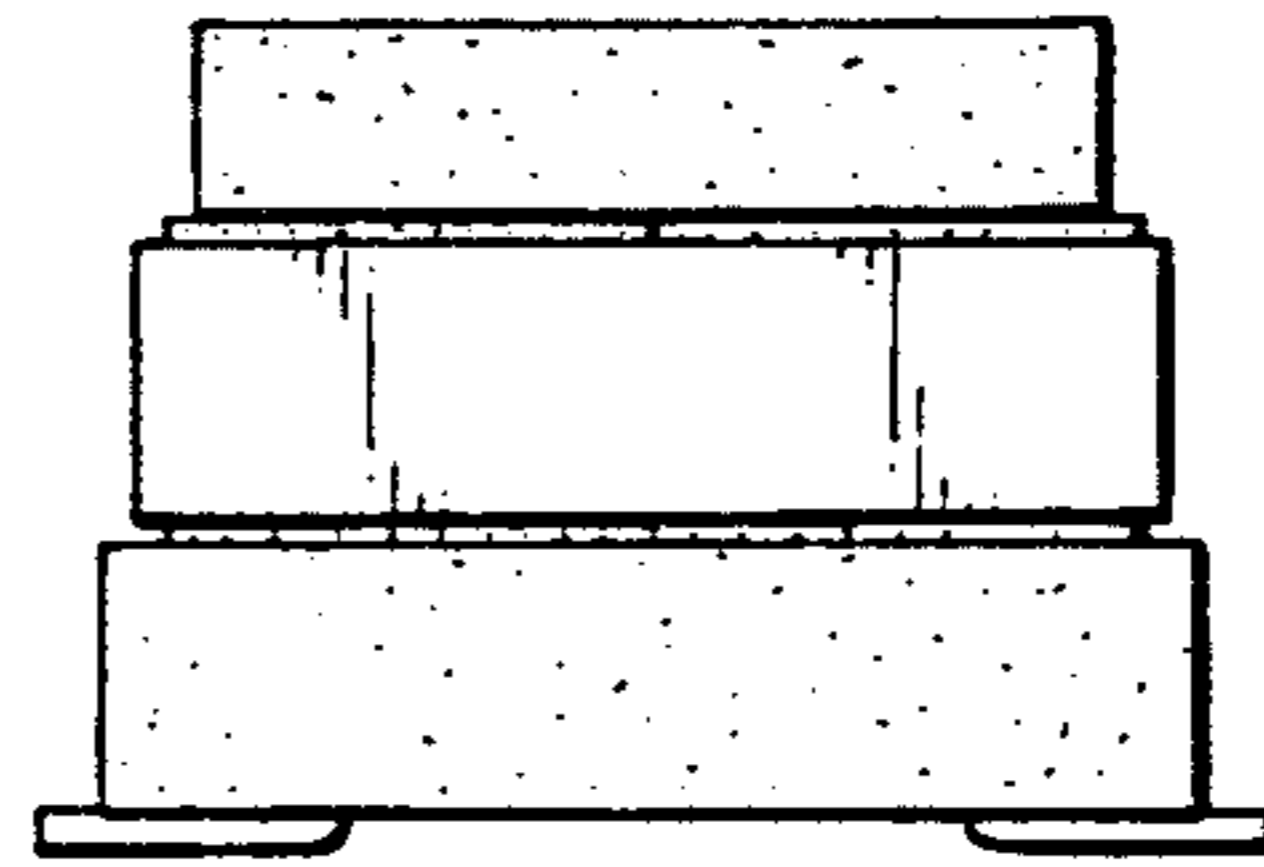


FIG. 5

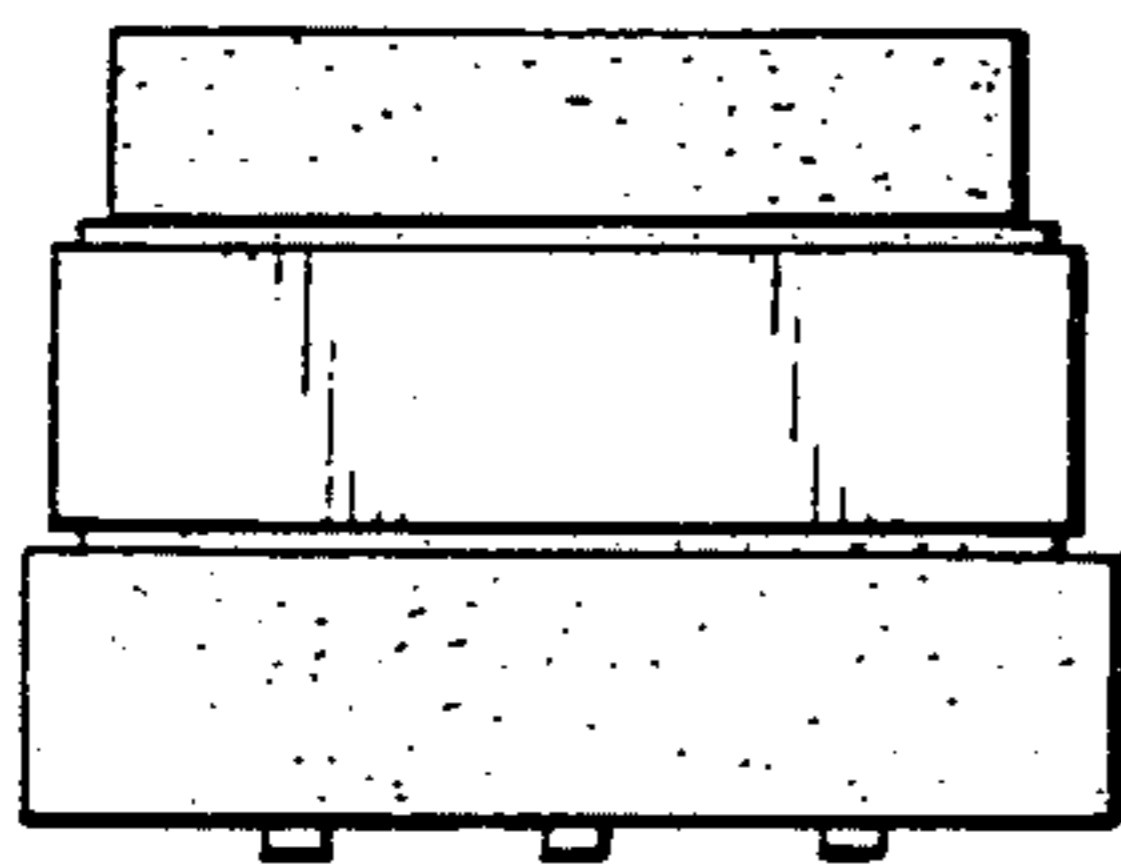


FIG. 6

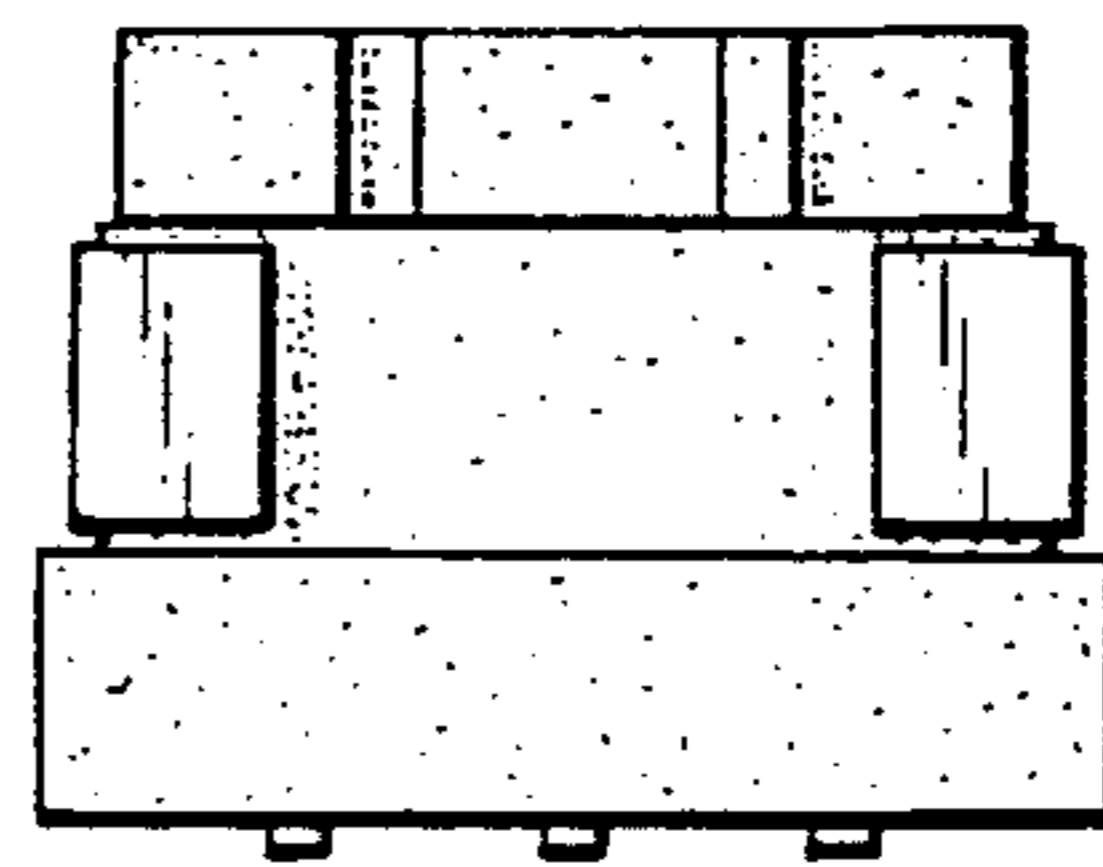


FIG. 7

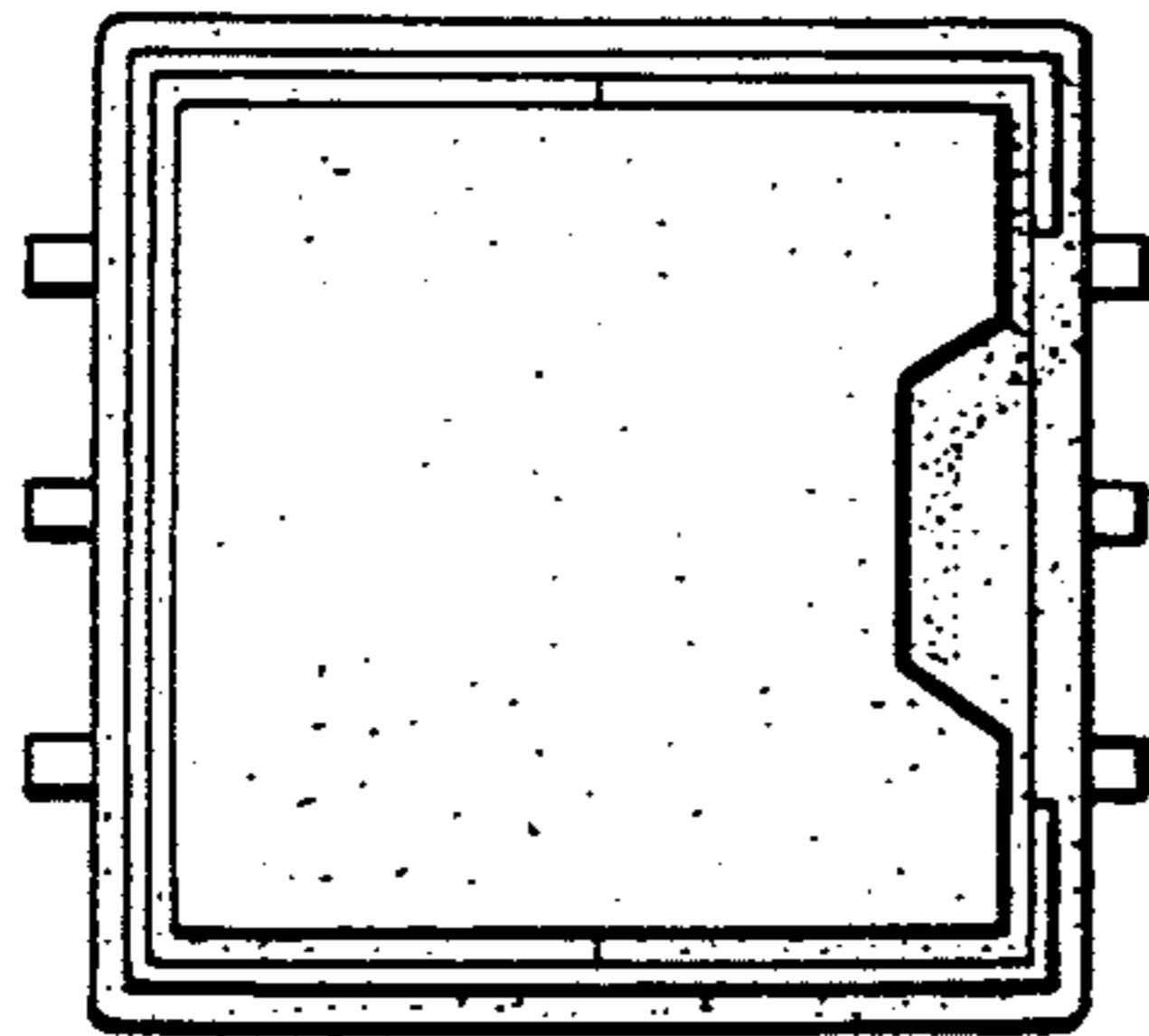
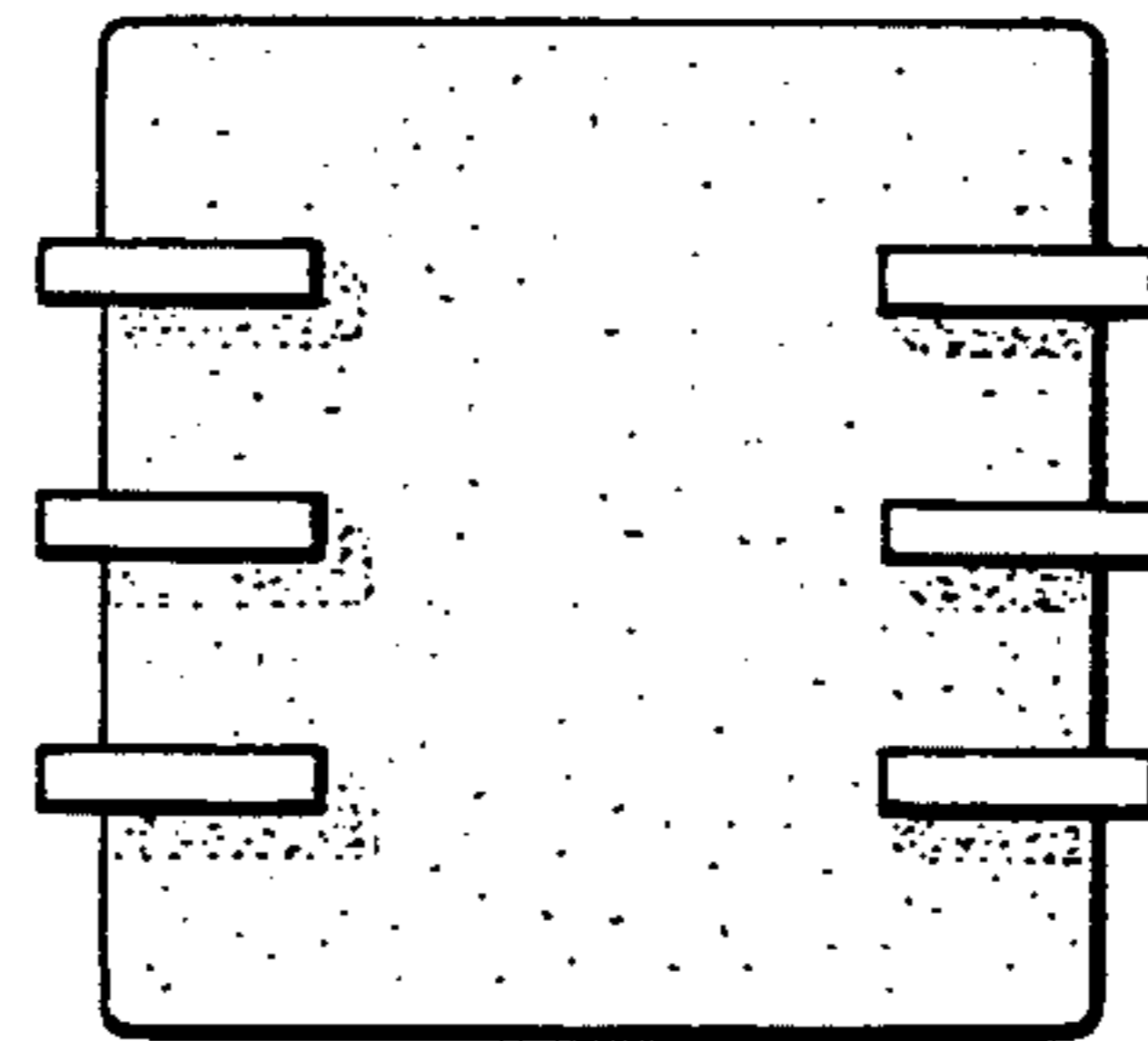
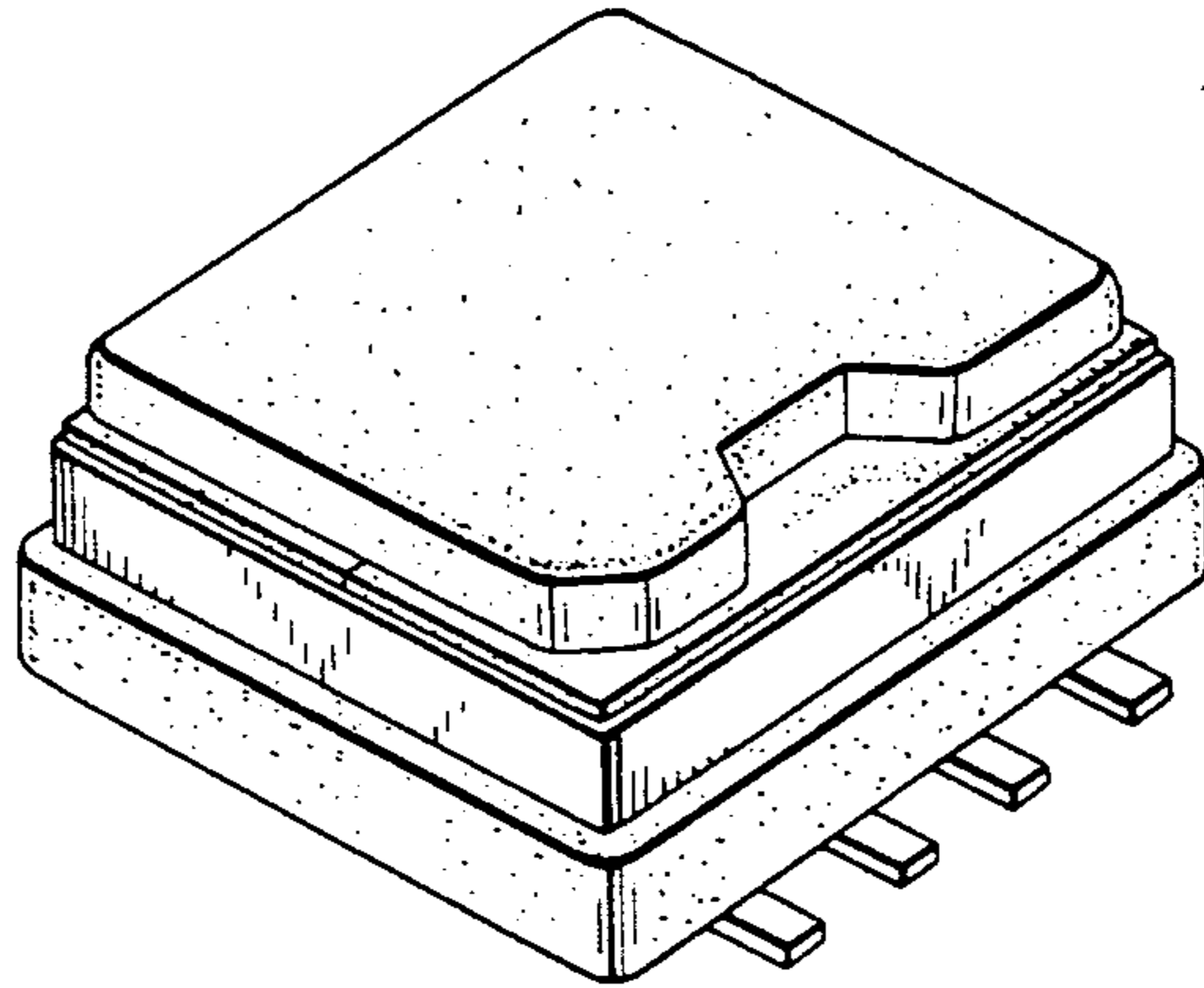


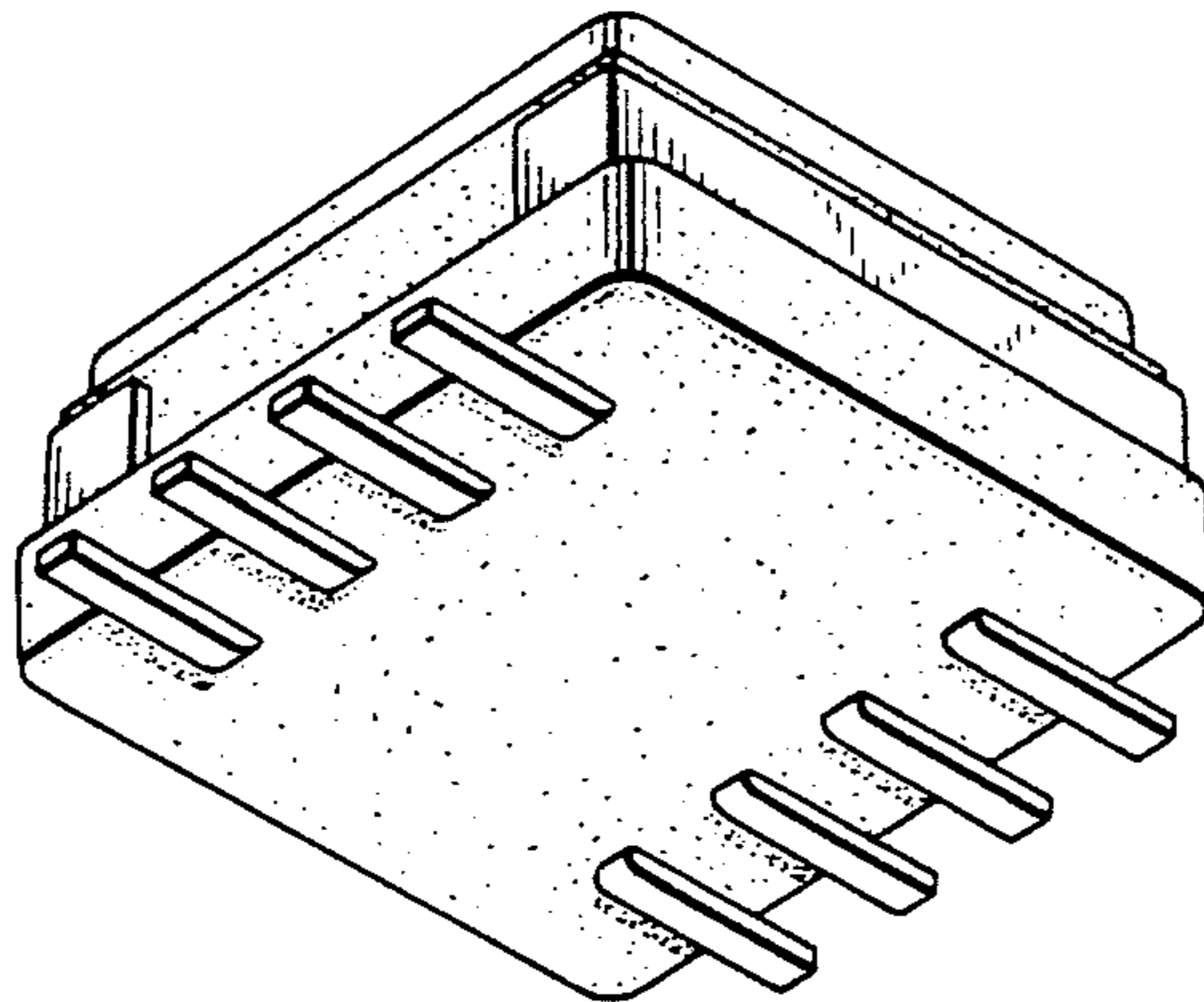
FIG. 8



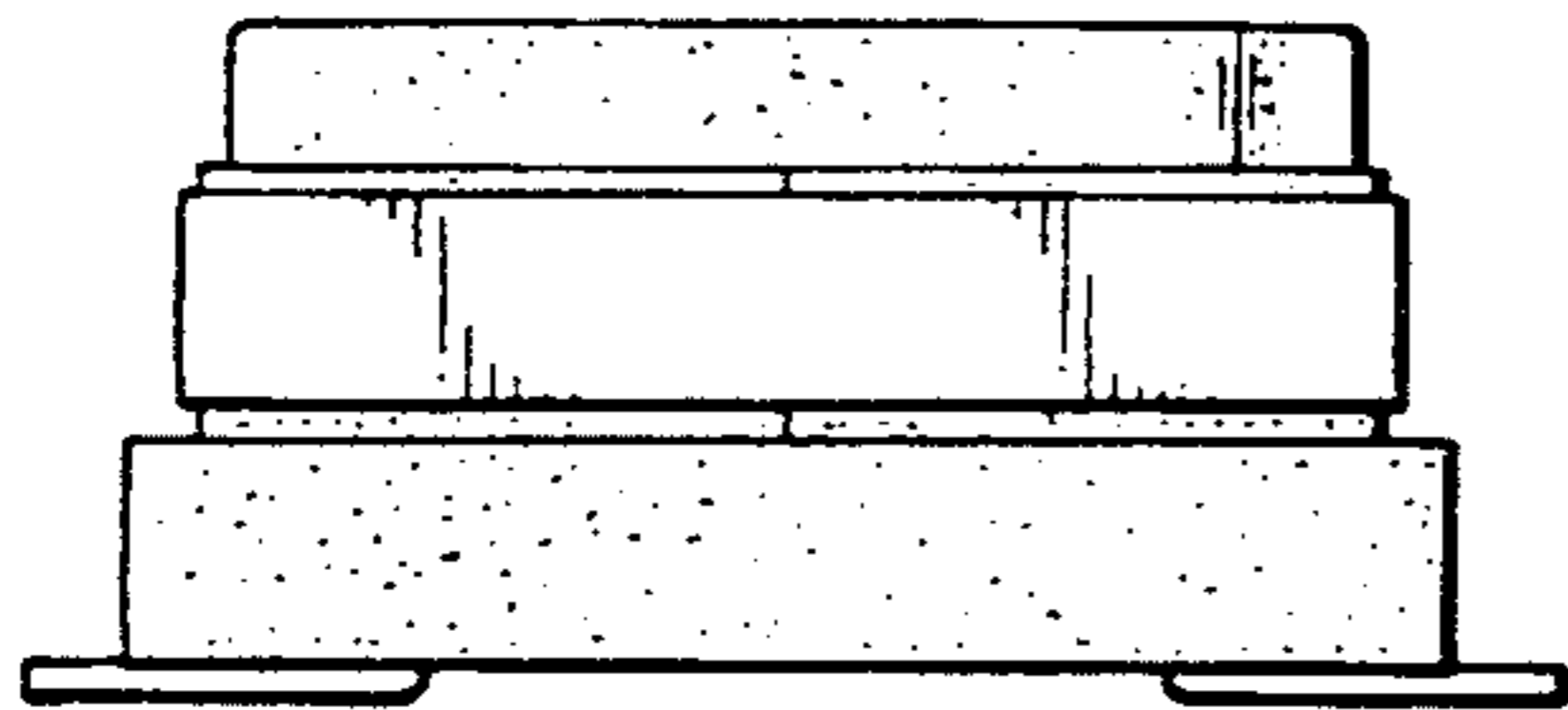
*FIG. 9*



*FIG. 10*



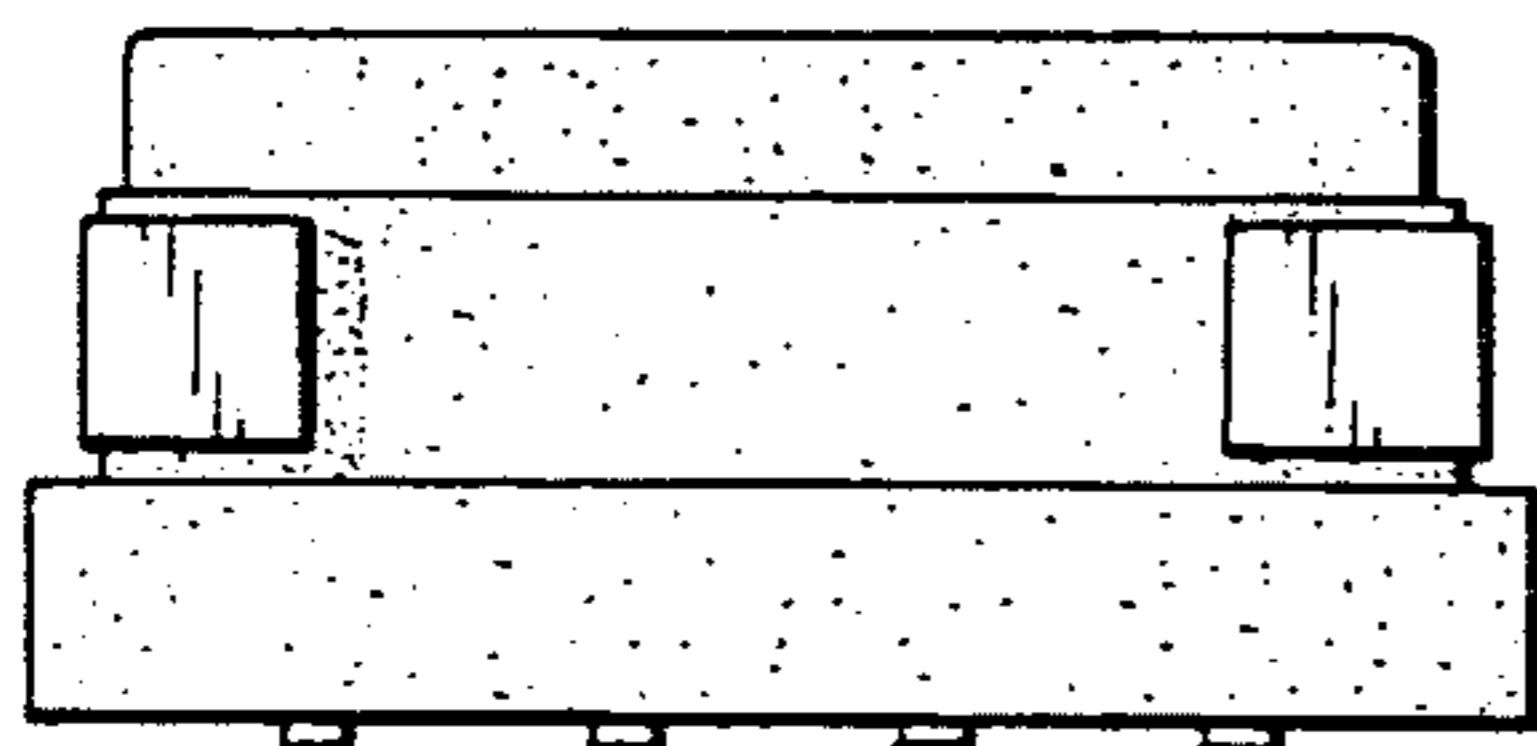
*FIG. 11*



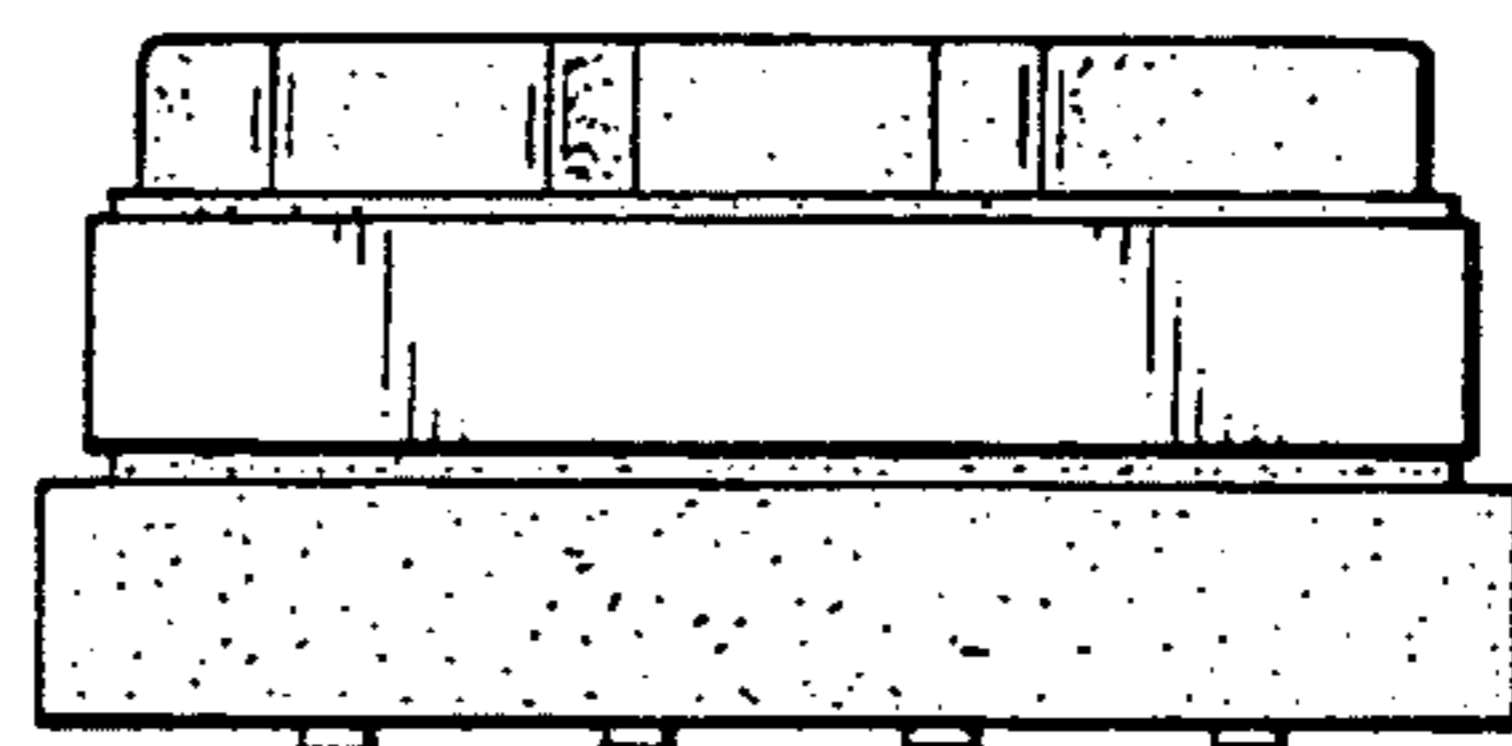
*FIG. 12*



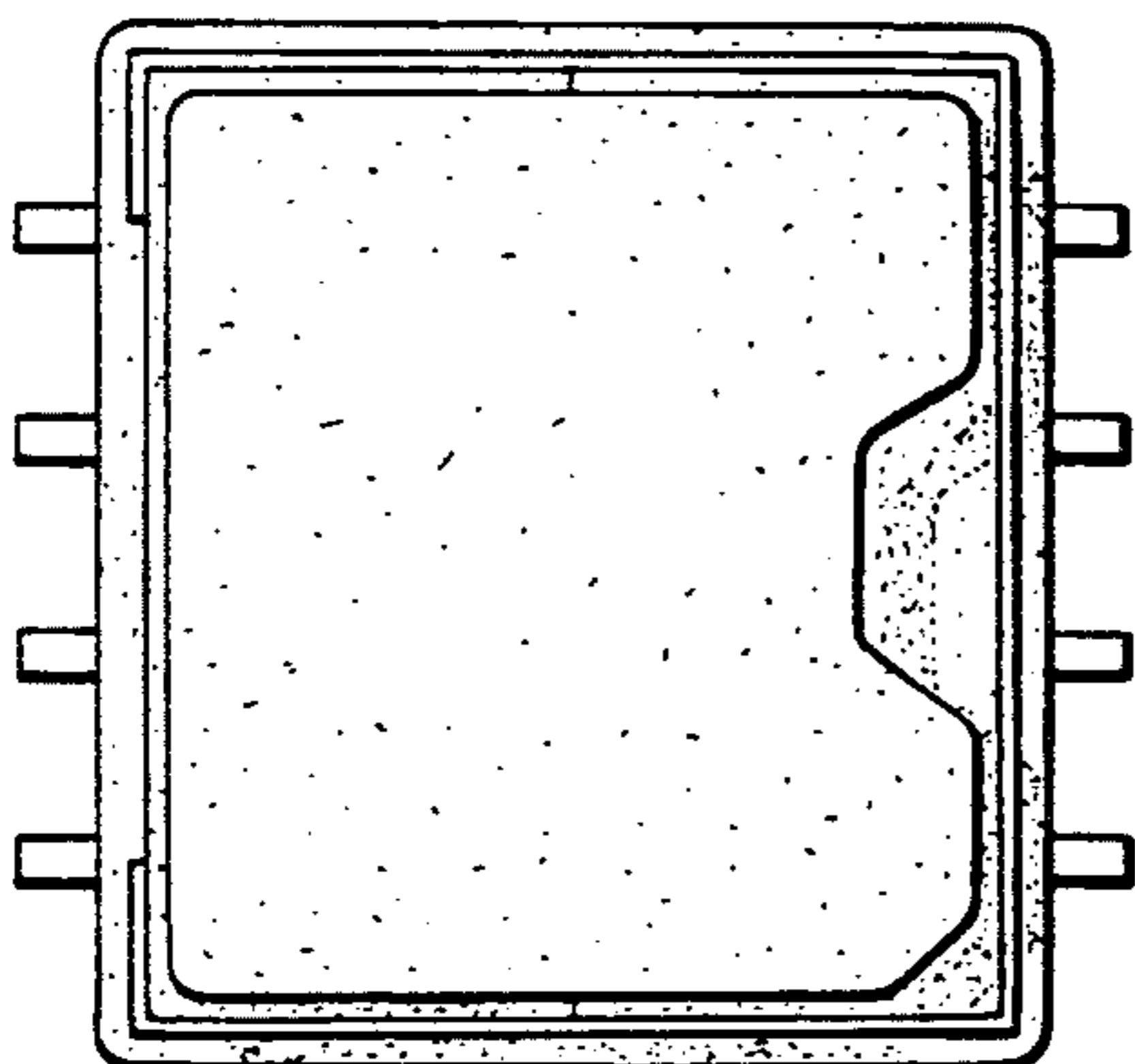
*FIG. 13*



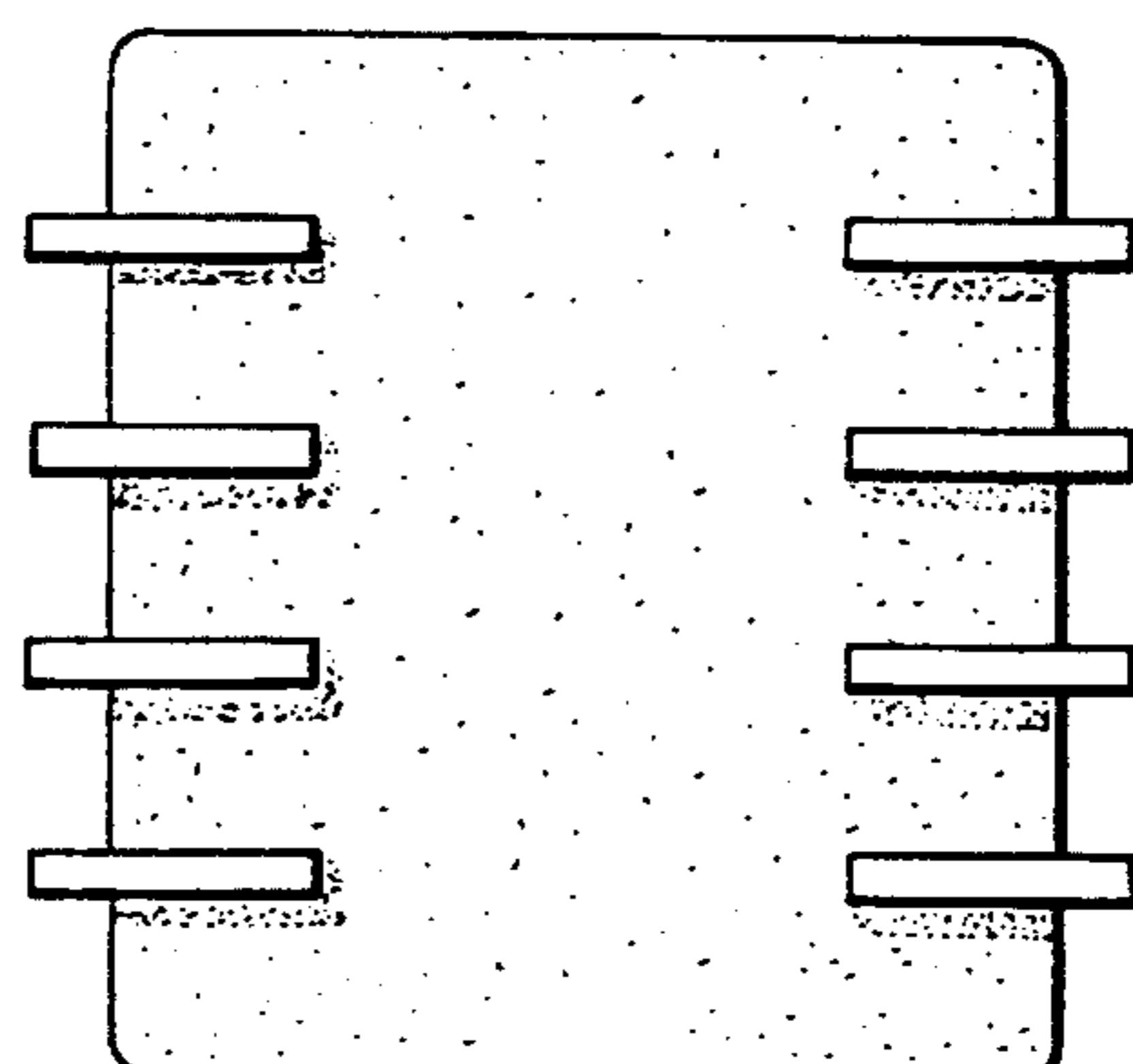
*FIG. 14*



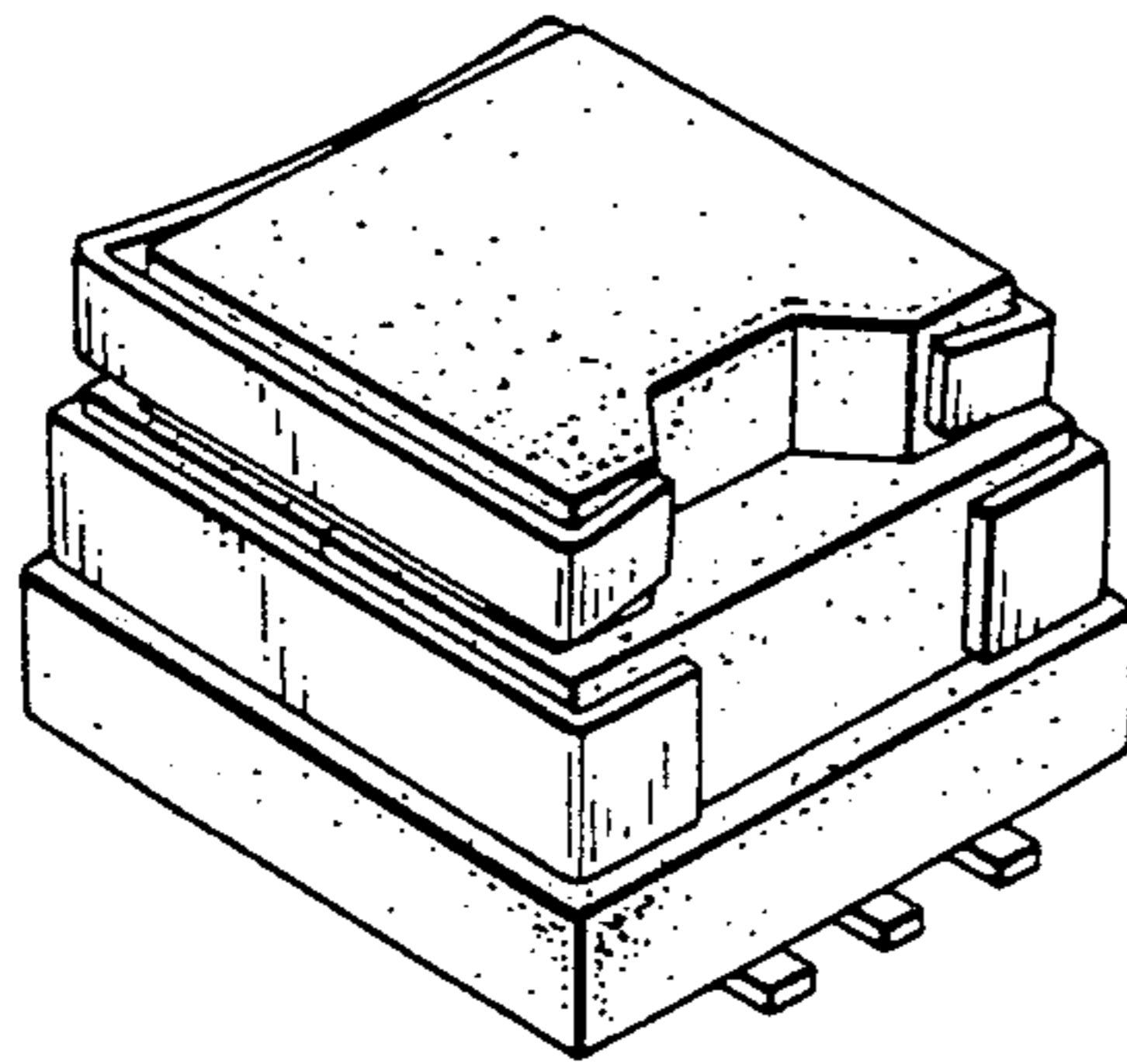
*FIG. 15*



*FIG. 16*



*FIG. 17*



*FIG. 18*

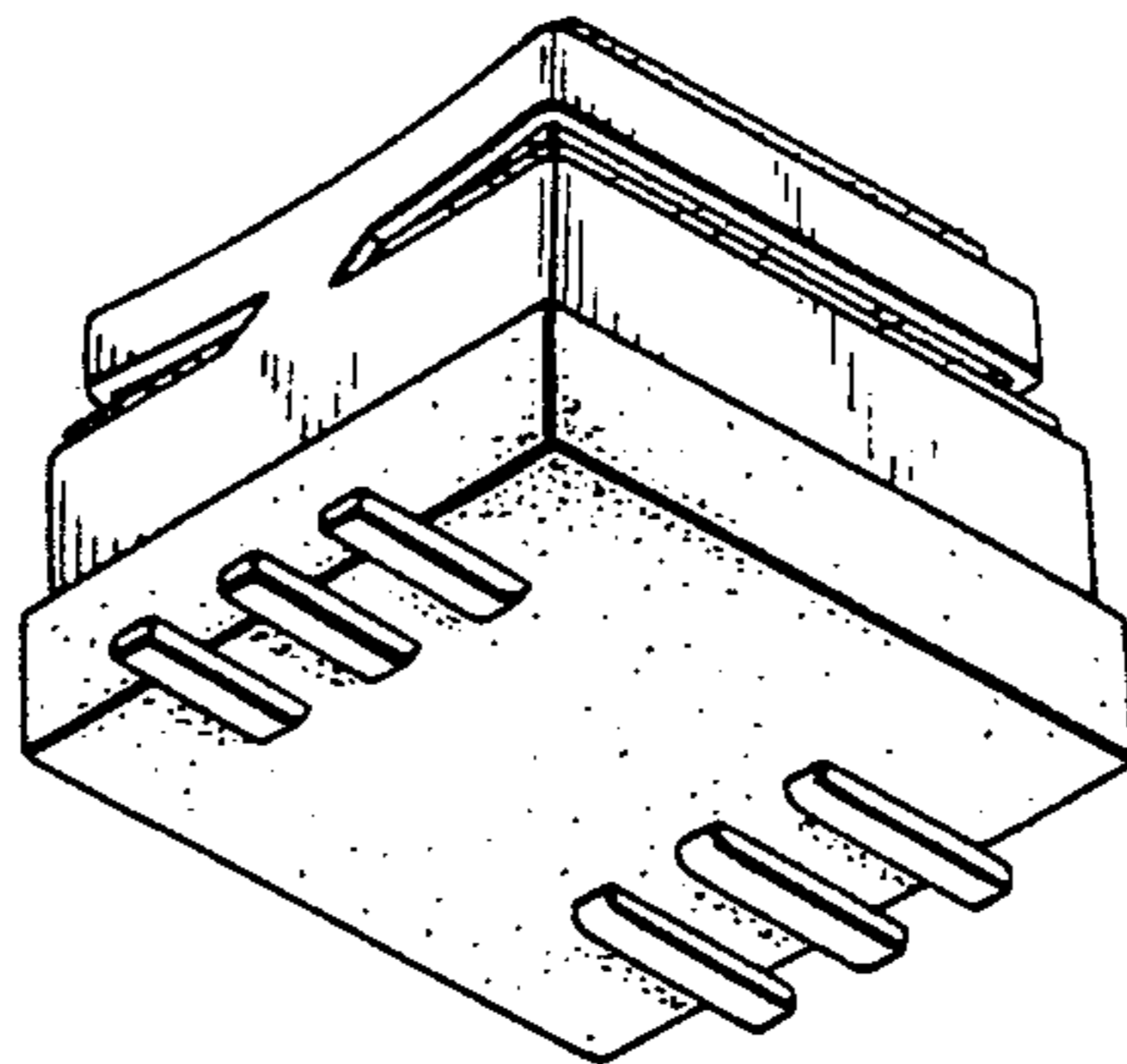


FIG.19

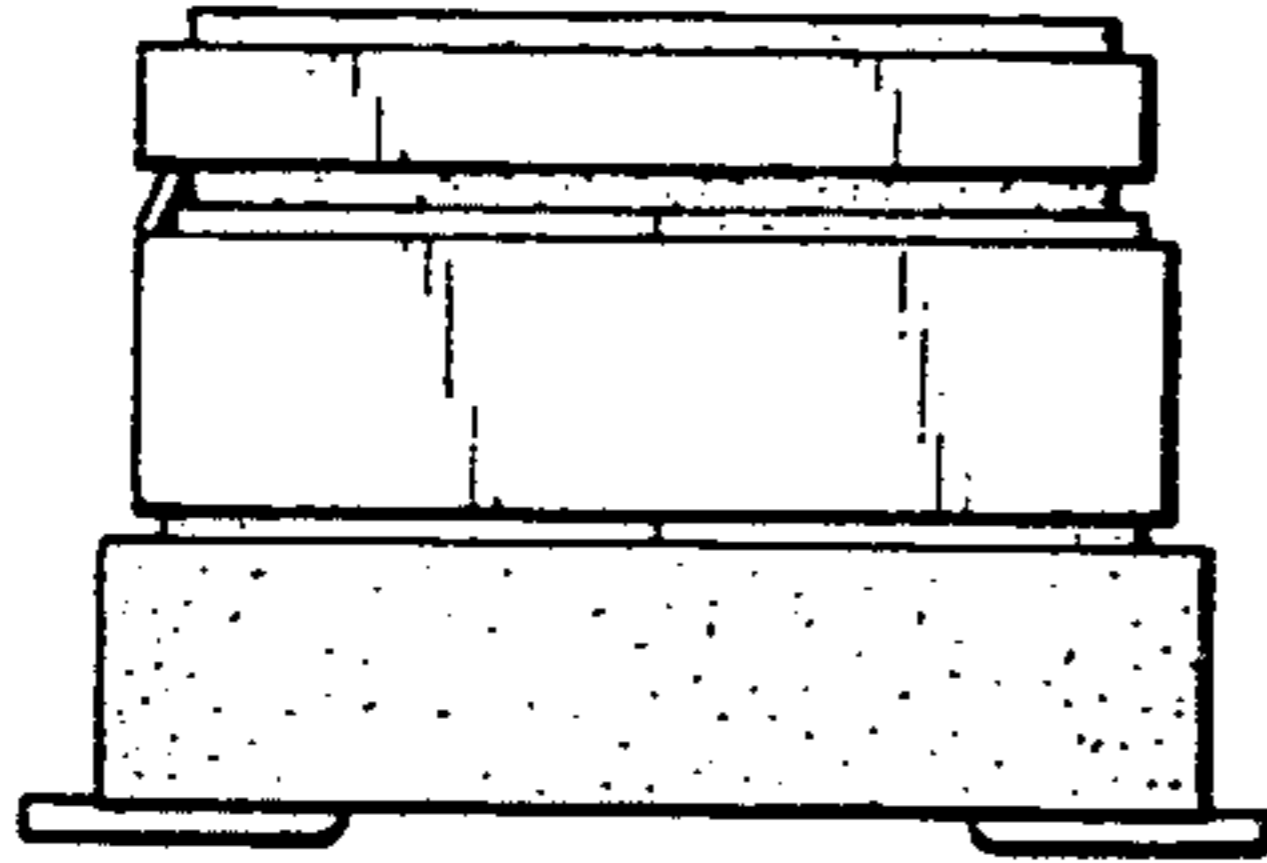


FIG.20

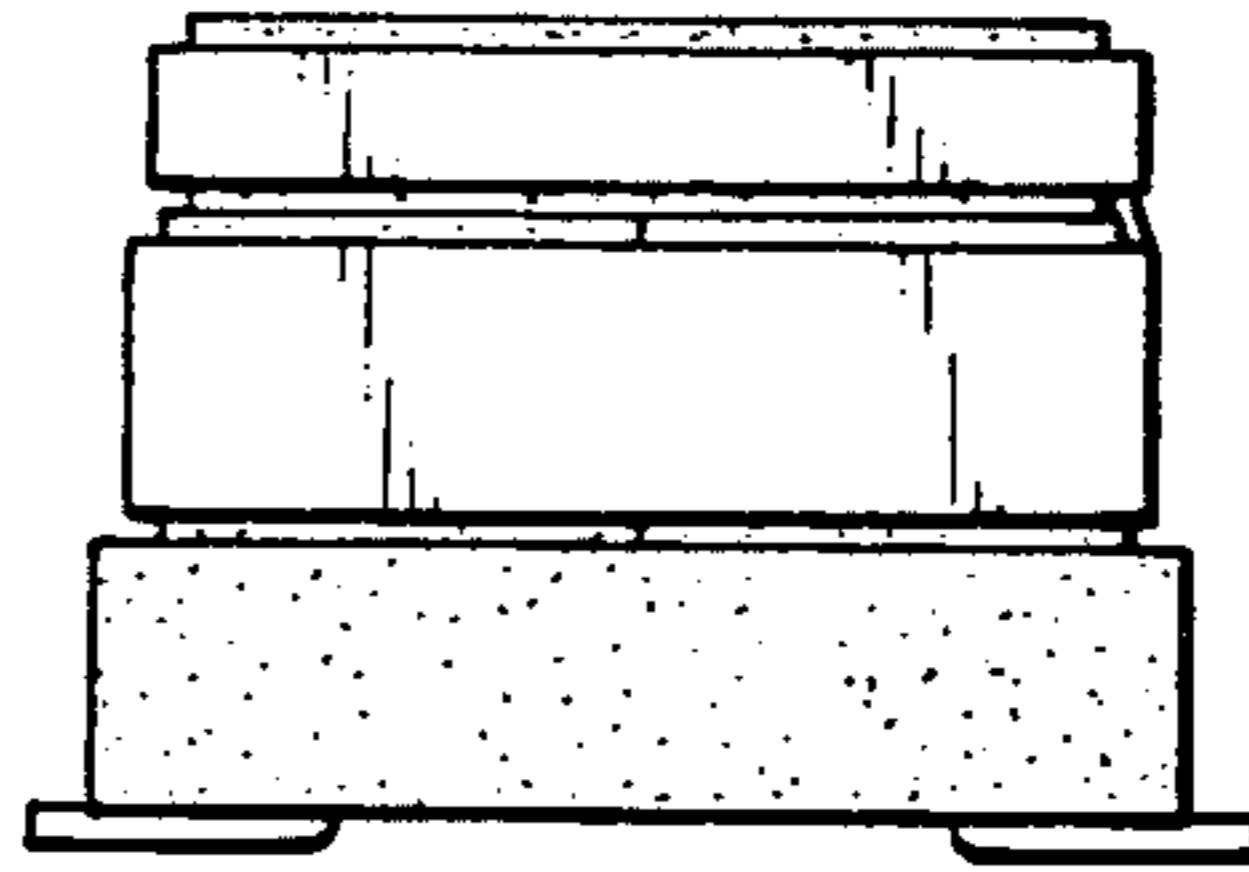


FIG.21

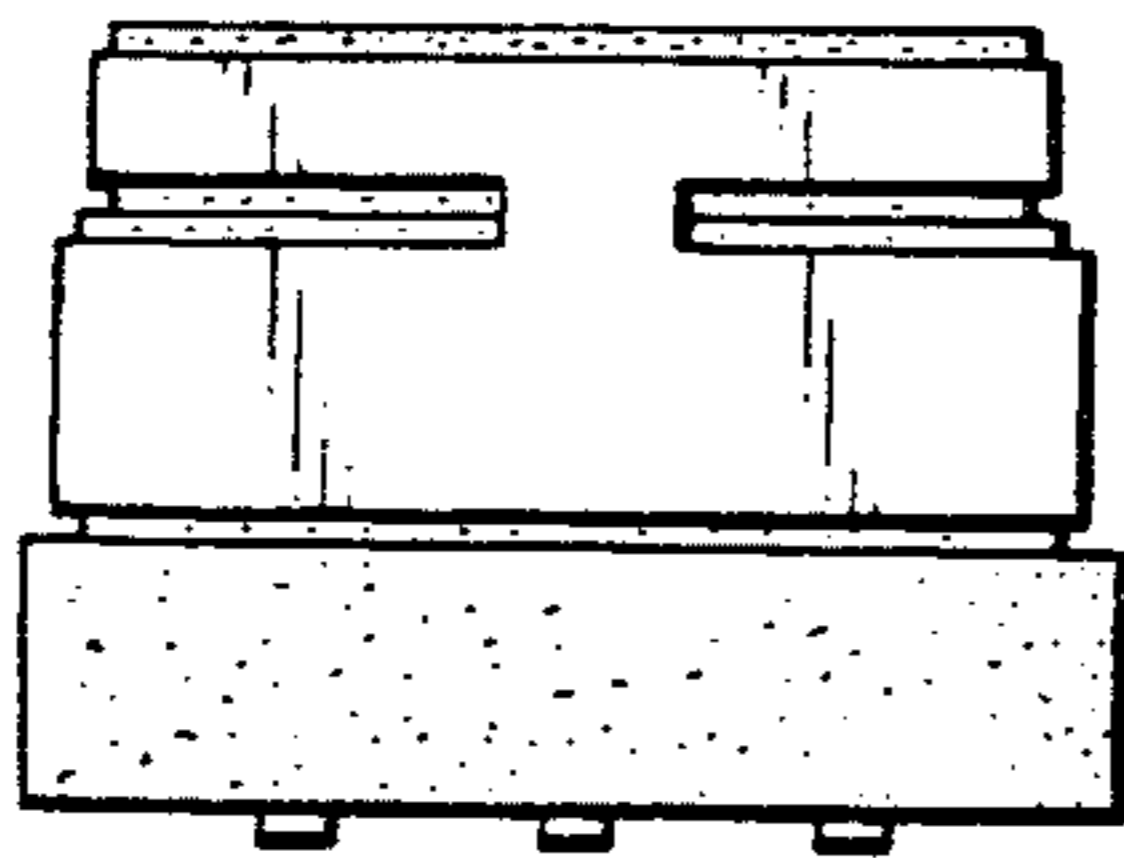


FIG.22

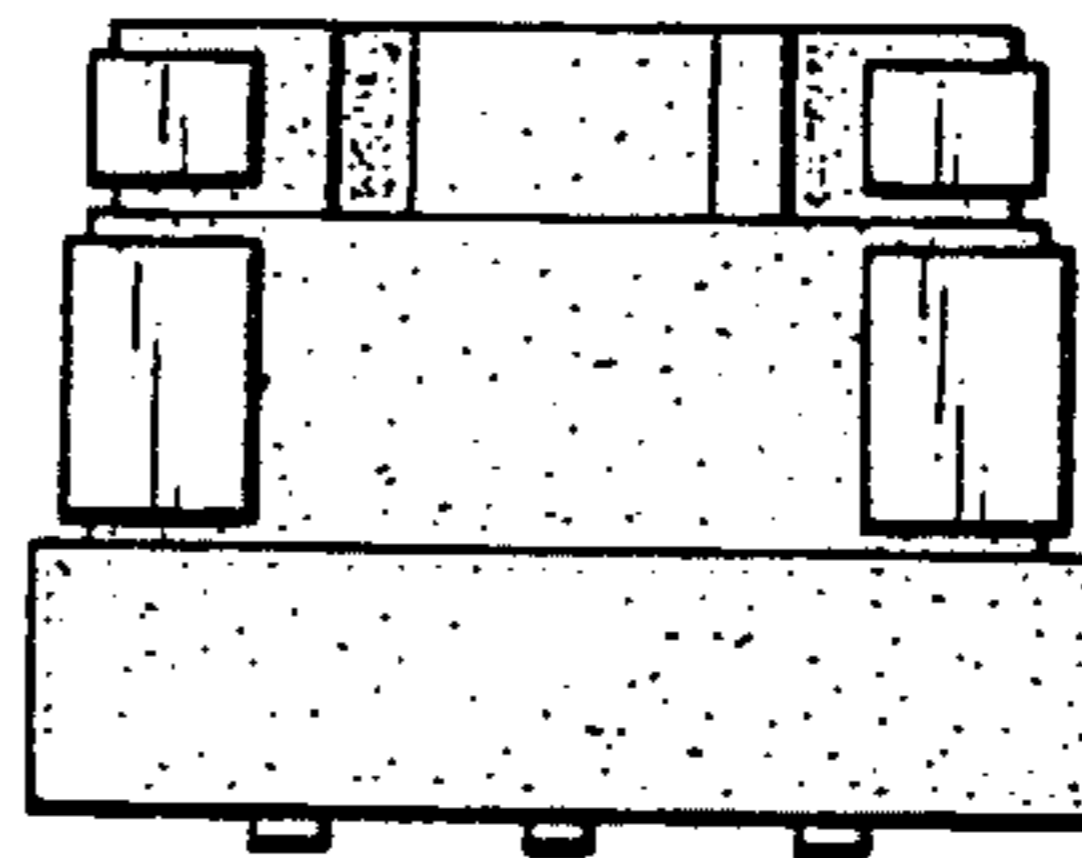


FIG.23

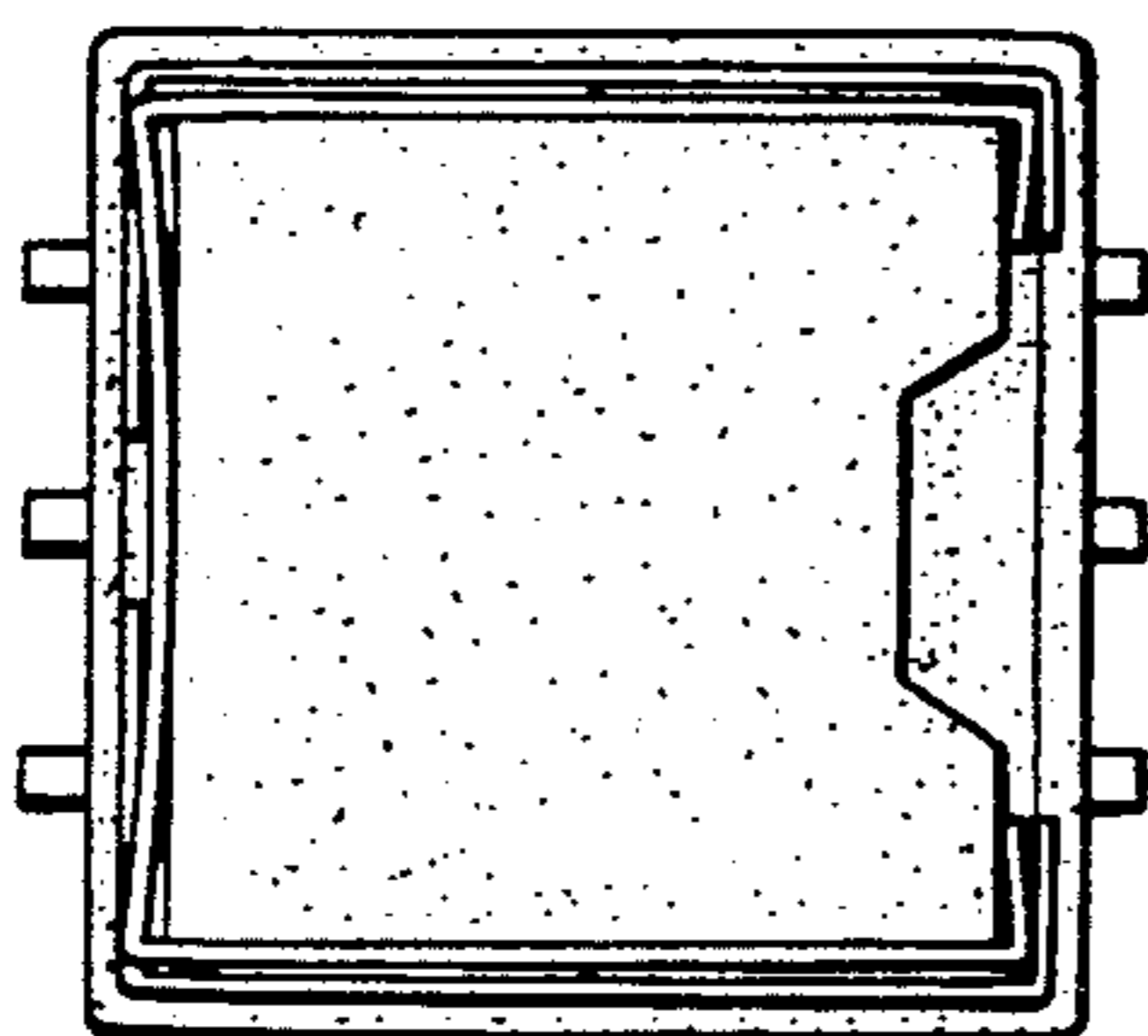


FIG.24

