



US00D329037S

United States Patent [19]

[11] Patent Number: **Des. 329,037**

Benner

[45] Date of Patent: **** Sep. 1, 1992**

[54] VEHICLE EXTERIOR REAR VIEW MIRROR

[76] Inventor: **Mark A. Benner**, 706 S. Penn St., Westchester, Pa. 19382

[**] Term: **14 Years**

[21] Appl. No.: **527,249**

[22] Filed: **May 23, 1990**

[52] U.S. Cl. **D12/187**

[58] Field of Search **D12/187; 359/512, 838, 359/843, 844, 871, 872, 874, 876**

[56] References Cited

U.S. PATENT DOCUMENTS

D. 316,997	5/1991	Soederberg	D12/187
4,084,886	4/1978	Grosch	350/281
4,527,860	7/1985	Roof	350/281
4,693,558	9/1987	Nakaho	350/332

OTHER PUBLICATIONS

1987 Pontiac Brochure, p. 8, Outside Rear View Mirror of Pontiac Fiero, center of page.

Primary Examiner—James M. Gandy
Attorney, Agent, or Firm—Terry M. Gernstein

[57] CLAIM

The ornamental design for a vehicle exterior rear view mirror, as shown and described.

DESCRIPTION

FIG. 1 is a perspective view of the vehicle exterior rear view mirror embodying the design of the present invention;

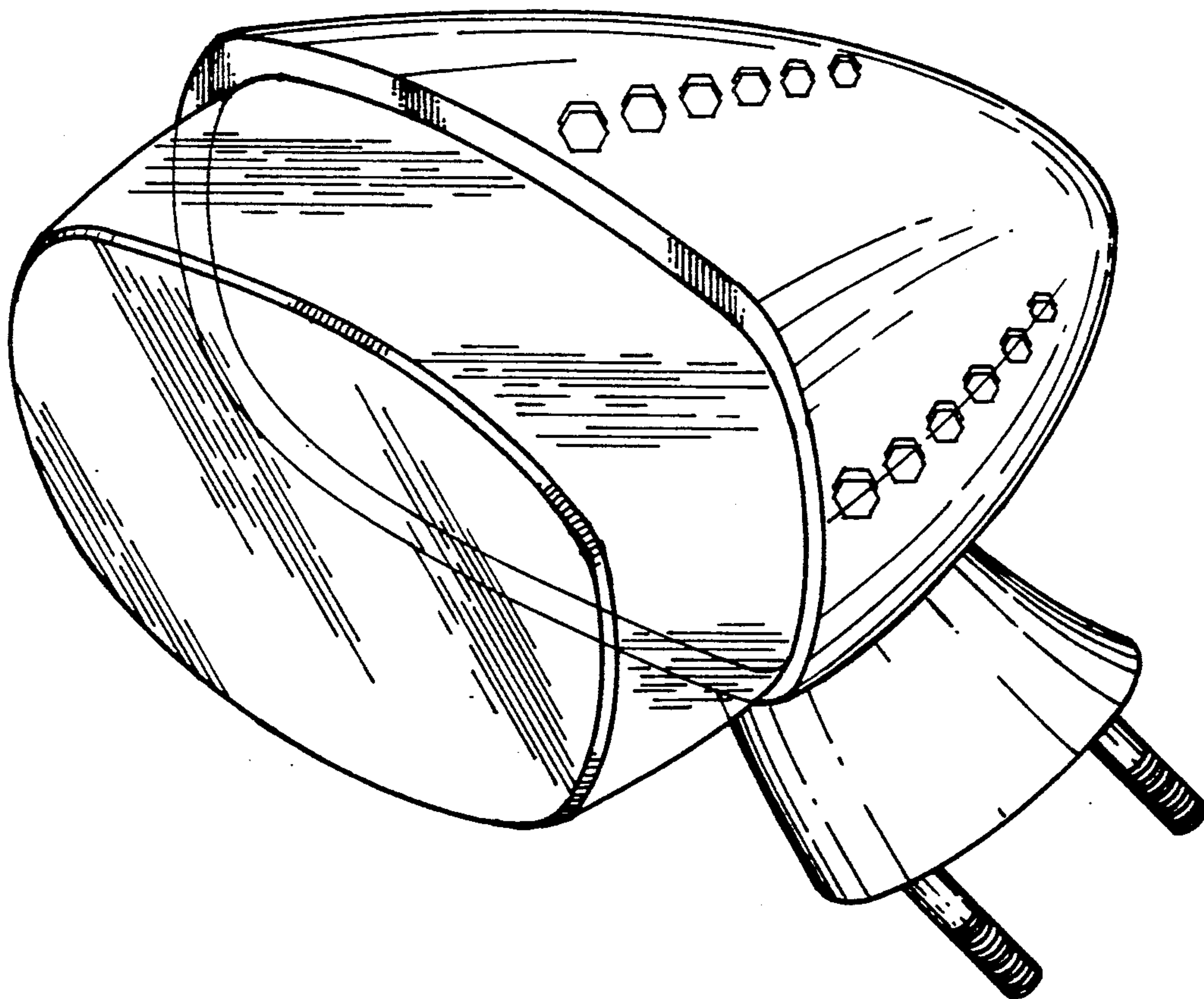
FIG. 2 is a side elevational view thereof, the side opposite being substantially a mirror image of the side shown in FIG. 2;

FIG. 3 is a front elevational view thereof;

FIG. 4 is a rear elevational view thereof;

FIG. 5 is a top plan view thereof; and,

FIG. 6 is a bottom view thereof.



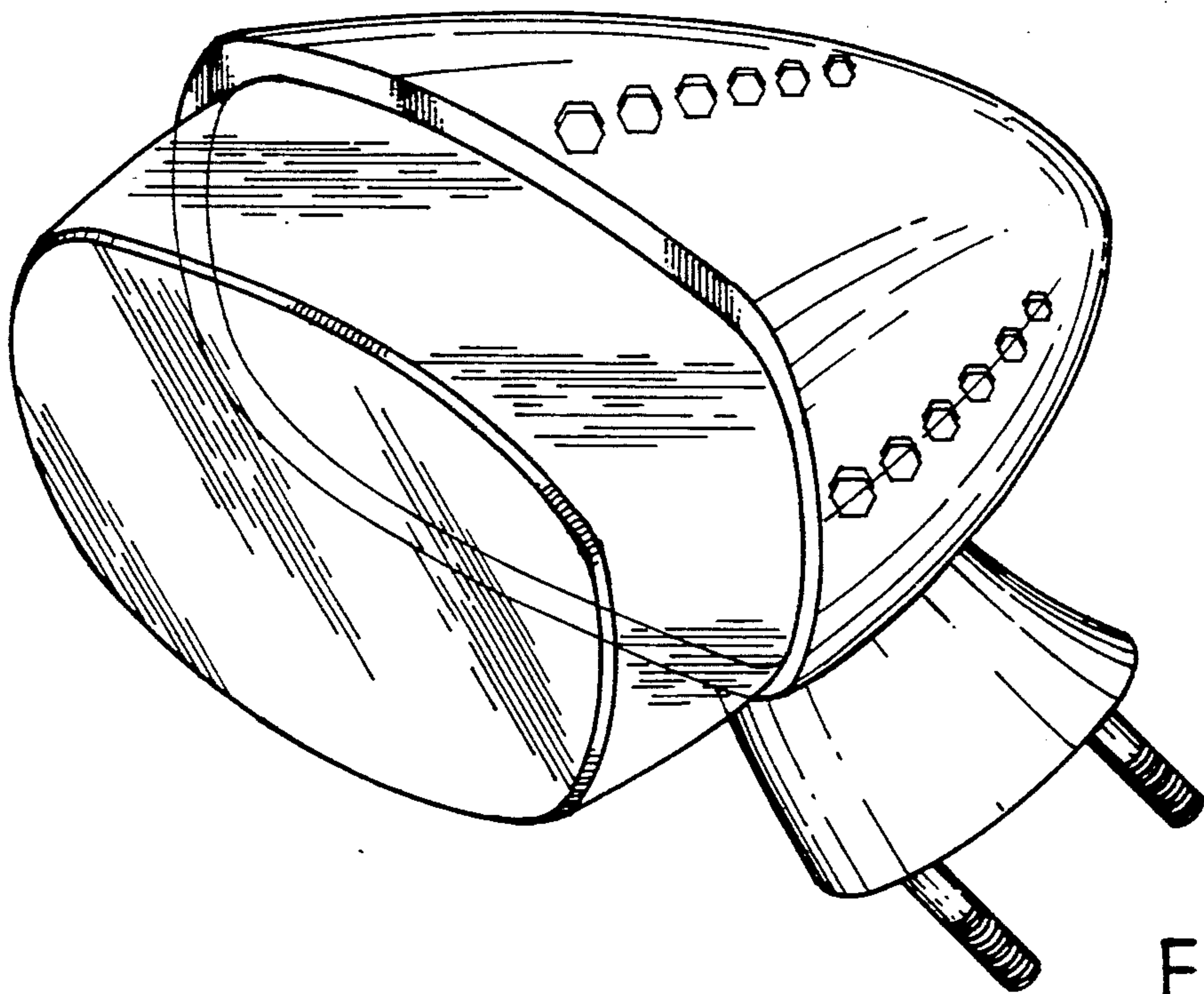


FIG. 1

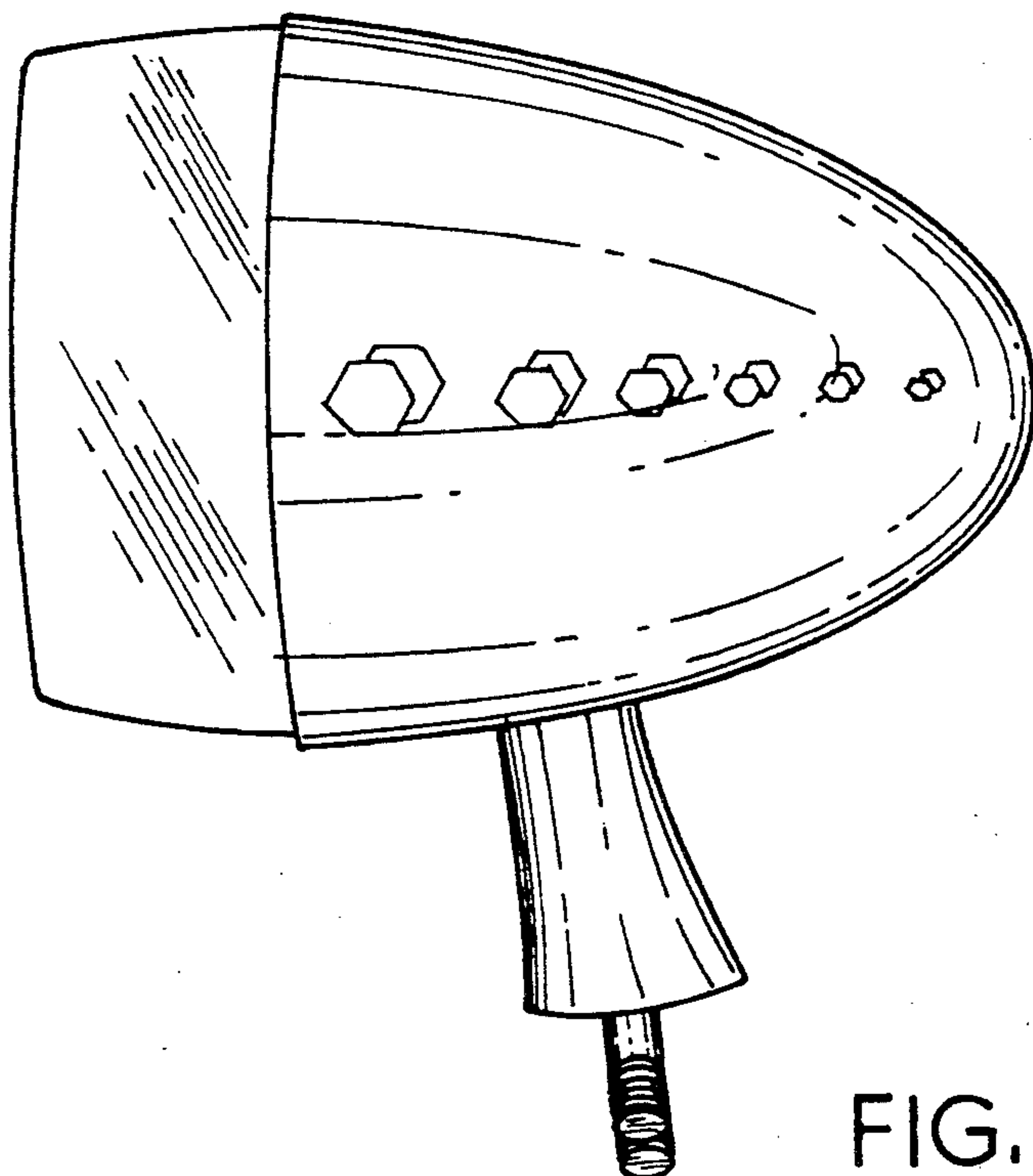


FIG. 2

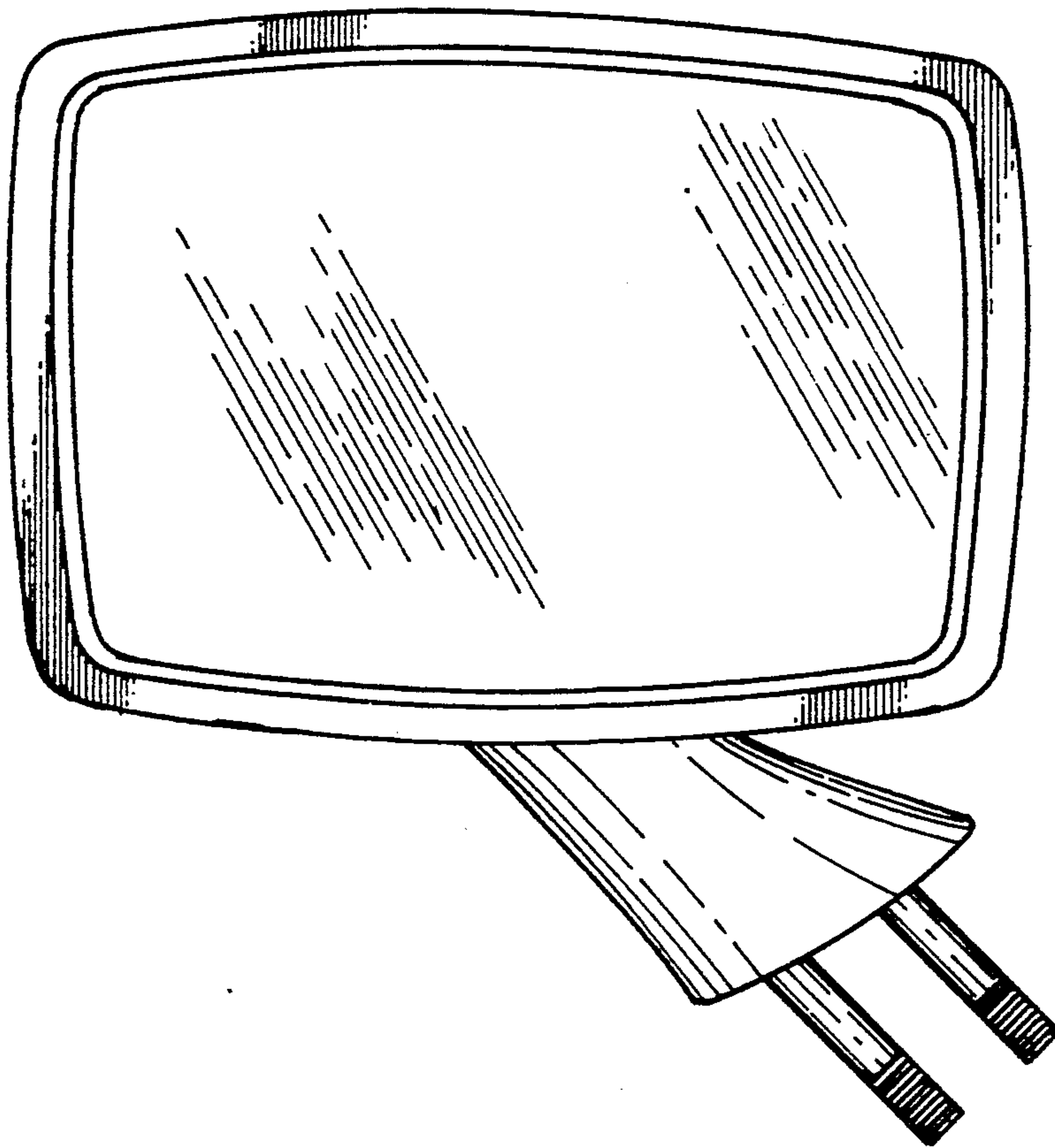


FIG. 3

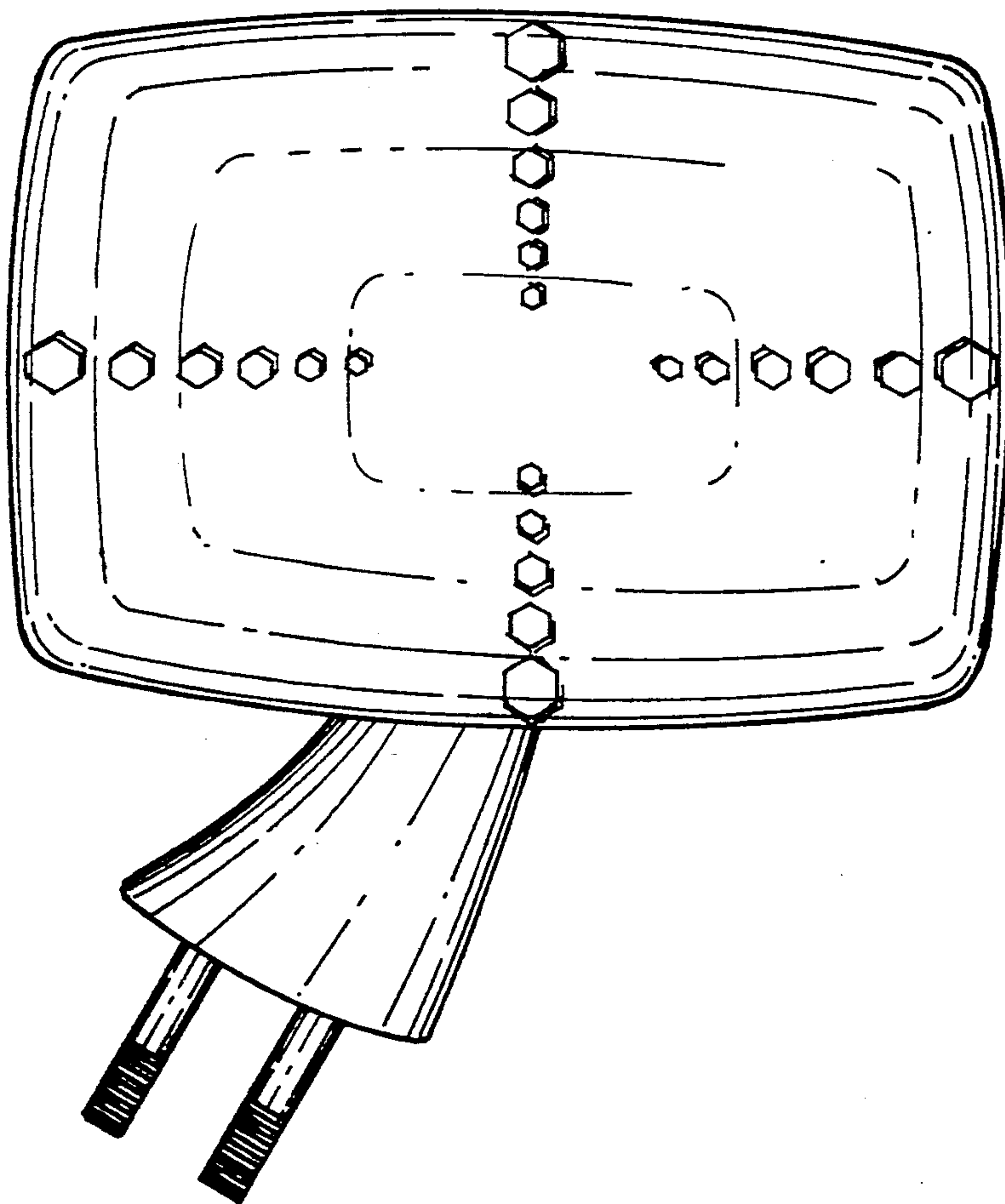


FIG. 4

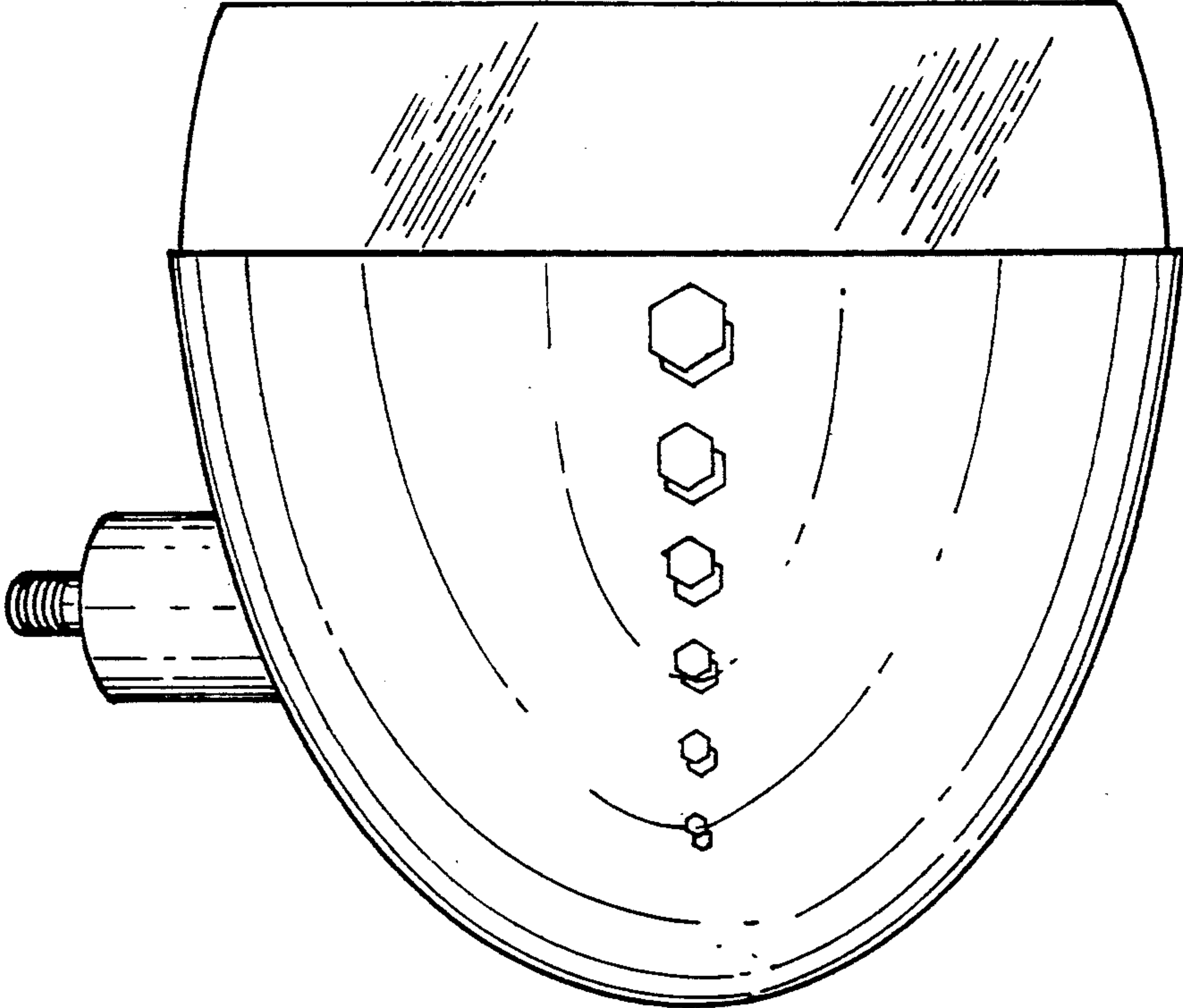


FIG. 5

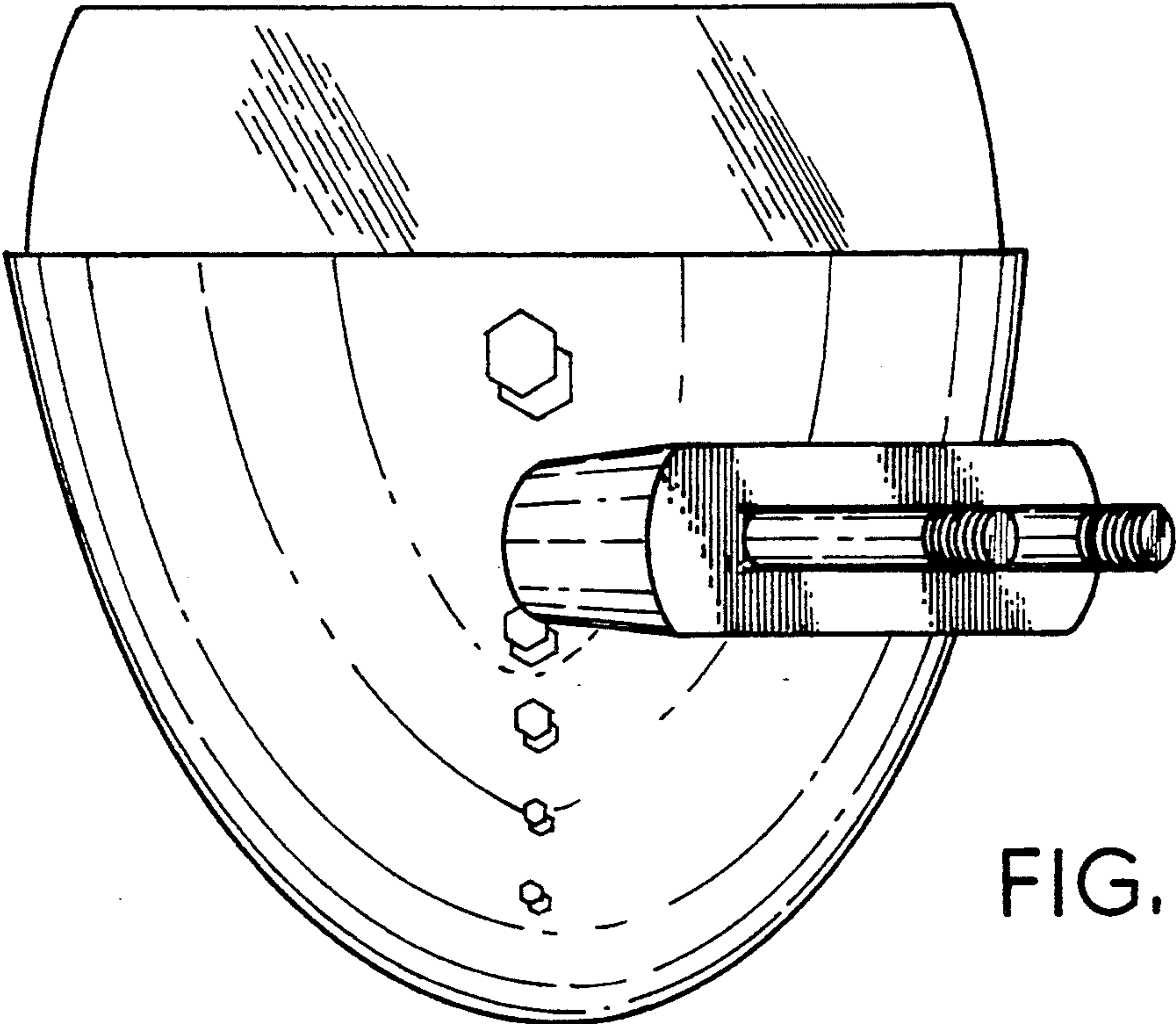


FIG. 6