



US00D329032S

United States Patent [19]

[11] Patent Number: **Des. 329,032**

Maxwell et al.

[45] Date of Patent: **** Sep. 1, 1992**

[54] PNEUMATIC TIRE TREAD AND BUTTRESS

[75] Inventors: **Paul B. Maxwell, Stow, Ohio;**
Darrell E. Covert, Strassen,
Luxembourg

[73] Assignee: **The Goodyear Tire & Rubber**
Company, Akron, Ohio

[**] Term: **14 Years**

[21] Appl. No.: **653,440**

[22] Filed: **Feb. 4, 1991**

[52] U.S. Cl. **D12/147**

[58] Field of Search **D12/141-143,**
D12/145-151; 152/209 R, 209 A, 209 B, 209 D

[56] **References Cited**

U.S. PATENT DOCUMENTS

D. 320,965	10/1991	Maxwell et al.	D12/147
D. 320,967	10/1991	Covert et al.	D12/147
4,877,072	10/1989	Fontaine	152/209 A
5,054,530	10/1991	Shiraishi	152/209 A

FOREIGN PATENT DOCUMENTS

347817 12/1989 European Pat. Off. 152/209 A
160303 7/1986 Japan 152/209 A

Primary Examiner—James M. Gandy

Attorney, Agent, or Firm—Thomas P. Lewandowski

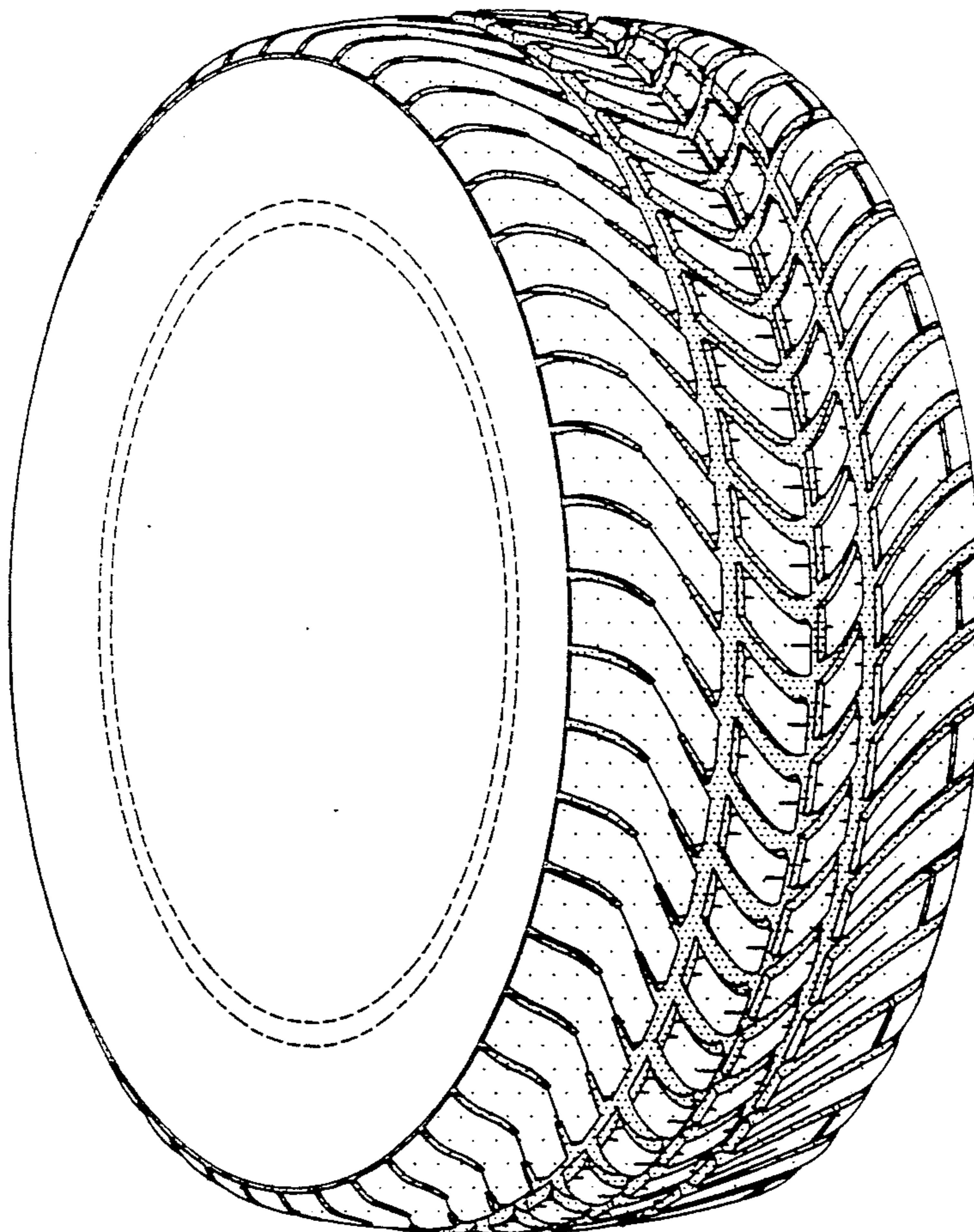
[57] **CLAIM**

The ornamental design for a pneumatic tire tread and buttress, as shown and described.

DESCRIPTION

FIG. 1 is a left side perspective view of a pneumatic tire tread and buttress showing our new design it being understood that the pattern is repeated uniformly throughout the circumference of the tread and buttress; FIG. 2 is a right side perspective view thereof; FIG. 3 is a front elevational view thereof; FIG. 4 is a left side elevational view thereof; FIG. 5 is a right side elevational view thereof; and, FIG. 6 is an enlarged fragmentary front elevational view thereof.

The broken line showing of environmental structure in FIGS. 1, 2, 4 and 5 of the drawing is for illustrative purposes only and forms no part of the claimed design.



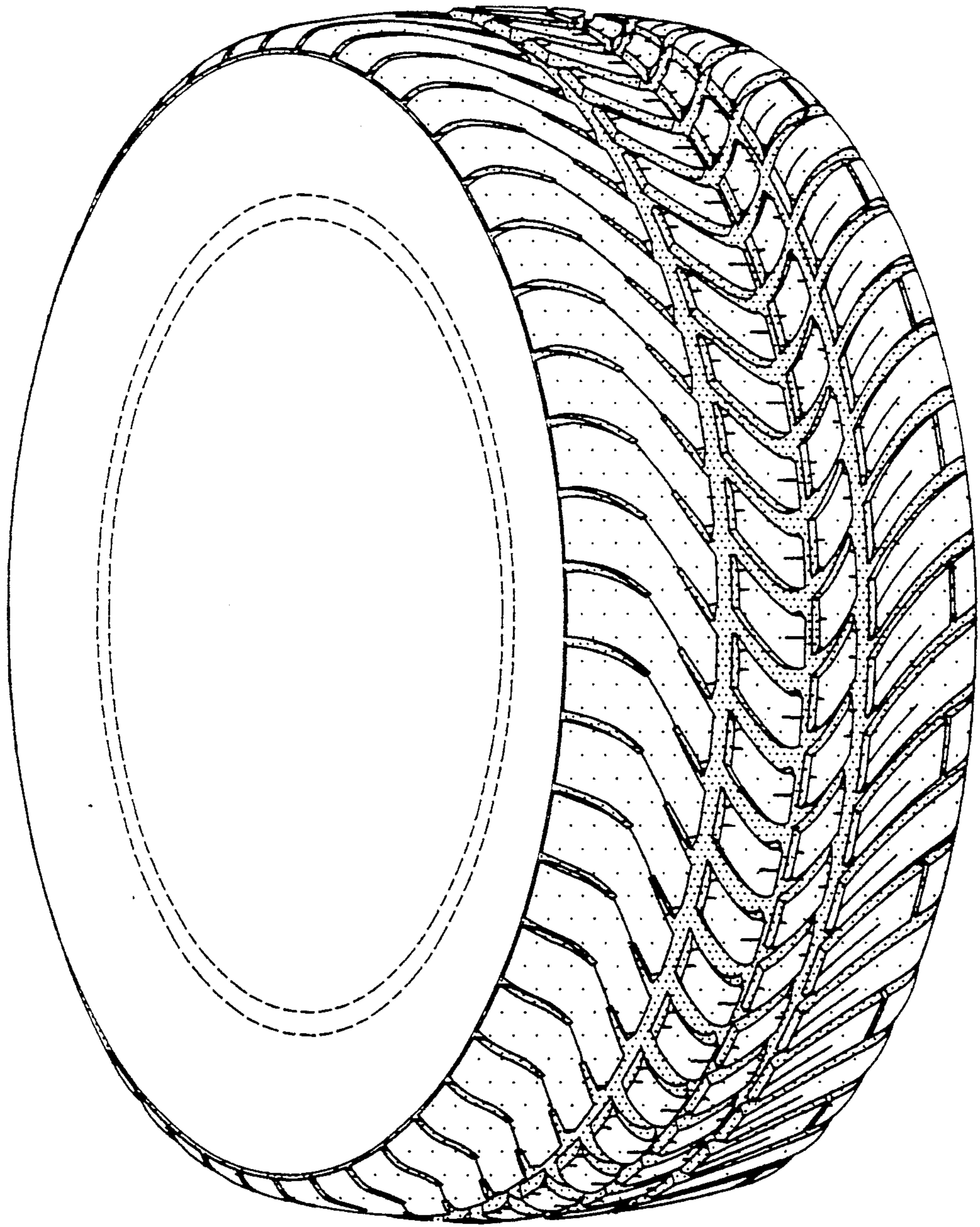


FIG-1

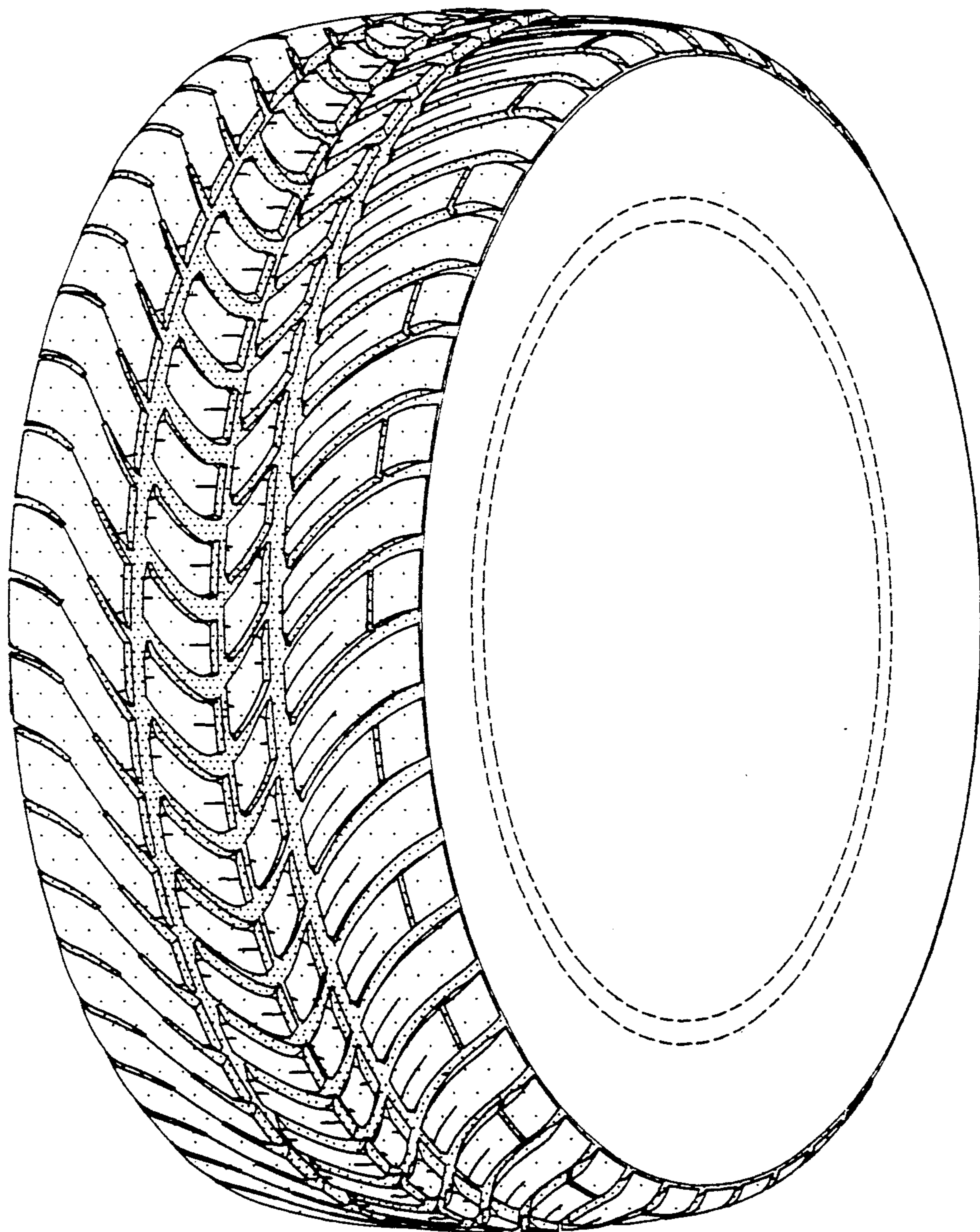


FIG-2

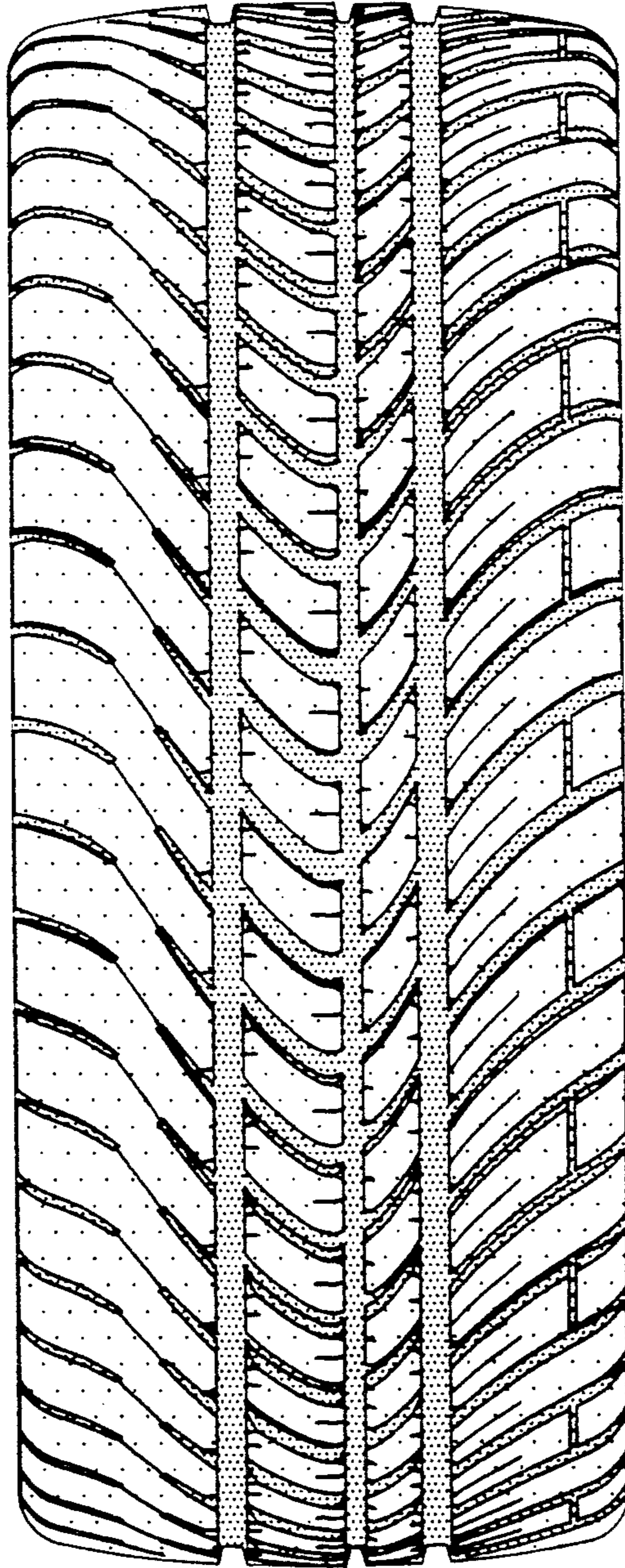


FIG-3

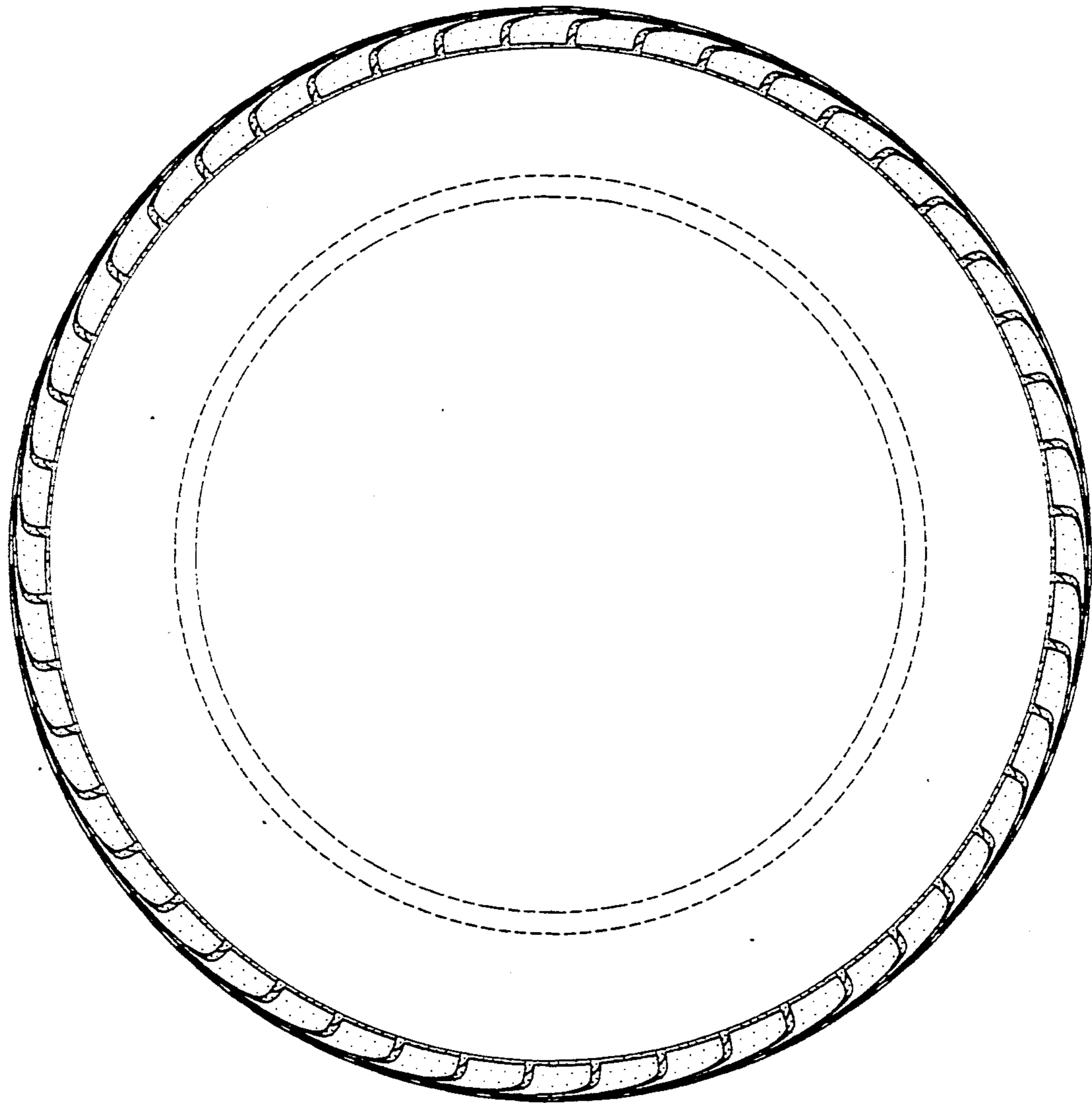


FIG-4

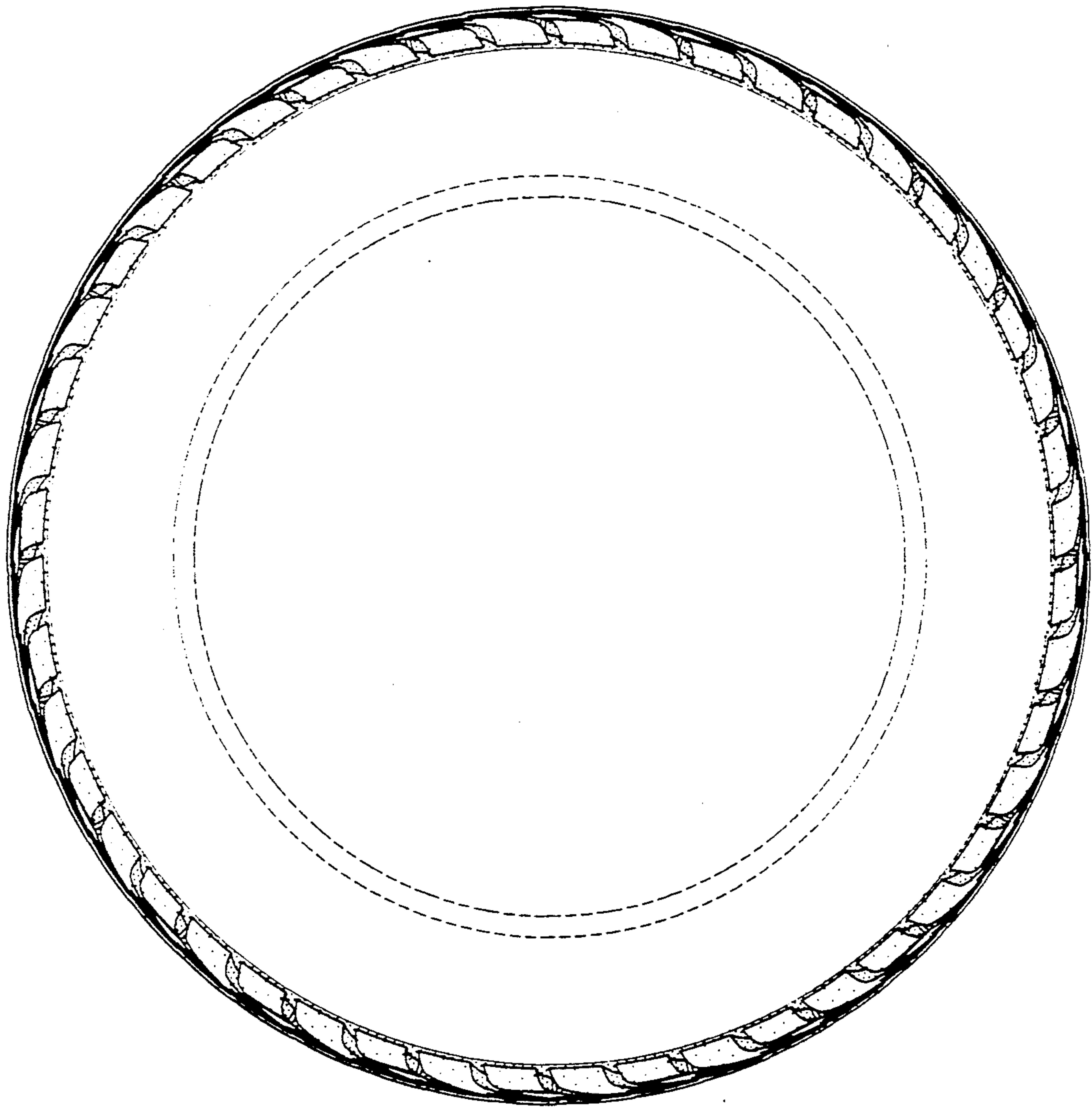


FIG-5

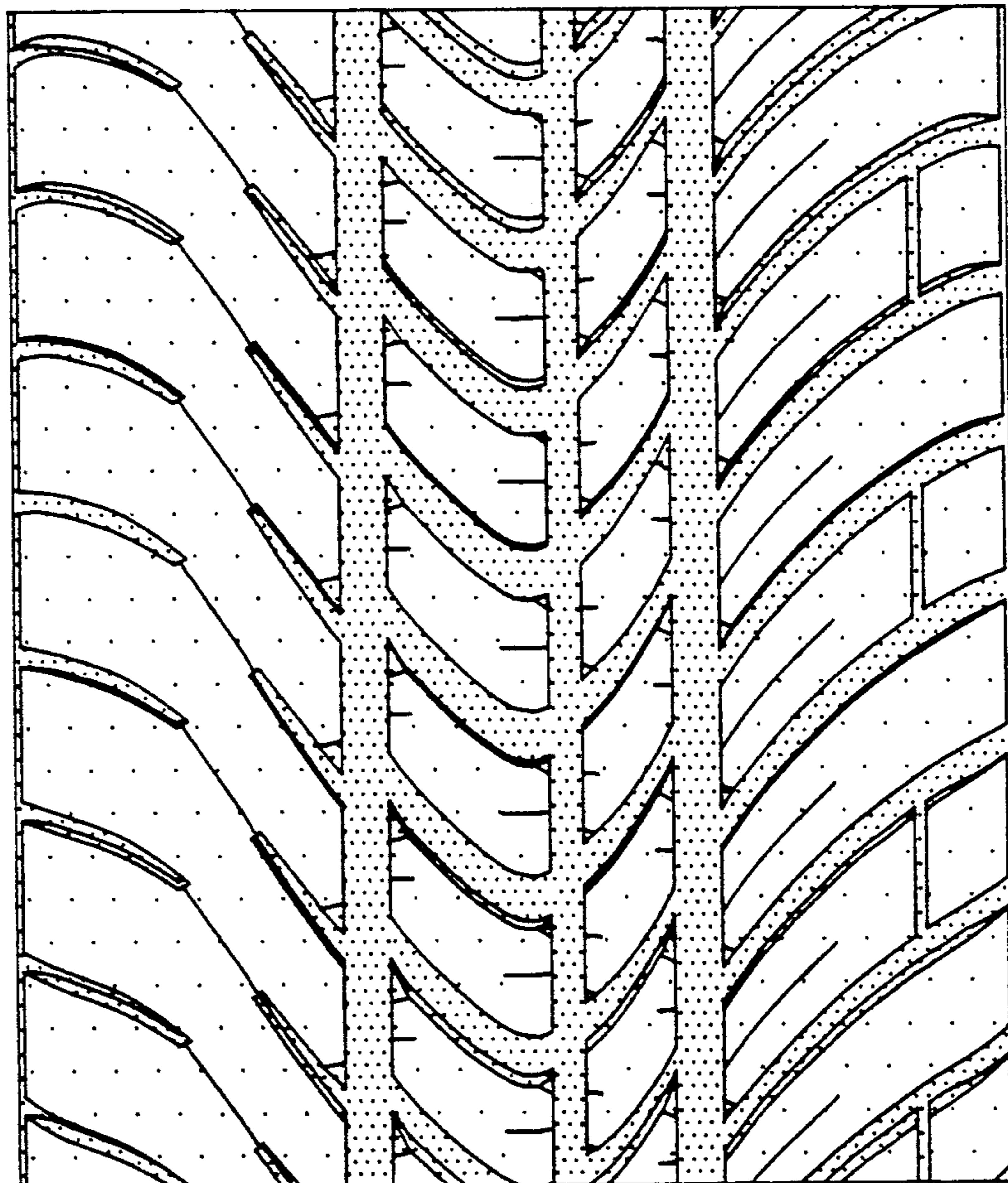


FIG-6