



US00D329029S

United States Patent [19]

[11] Patent Number: **Des. 329,029**

Chapman II

[45] Date of Patent: **** Sep. 1, 1992**

[54] **WHEEL CHAIR SHOPPING BASKET**

D. 246,362 11/1977 Levin D12/133
2,143,065 1/1939 Ghenny 248/230
4,526,419 7/1985 Bowman et al. 297/194

[76] Inventor: **Gregory J. Chapman II, 6951 Pima La., Chanhassen, Minn. 55317**

Primary Examiner—Kay H. Chin
Attorney, Agent, or Firm—Palmatier & Sjoquist

[**] Term: **14 Years**

[57] **CLAIM**

[21] Appl. No.: **479,033**

The ornamental design for a wheel chair shopping basket, as shown and described.

[22] Filed: **Feb. 13, 1990**

DESCRIPTION

[52] U.S. Cl. **D12/133; D34/27**

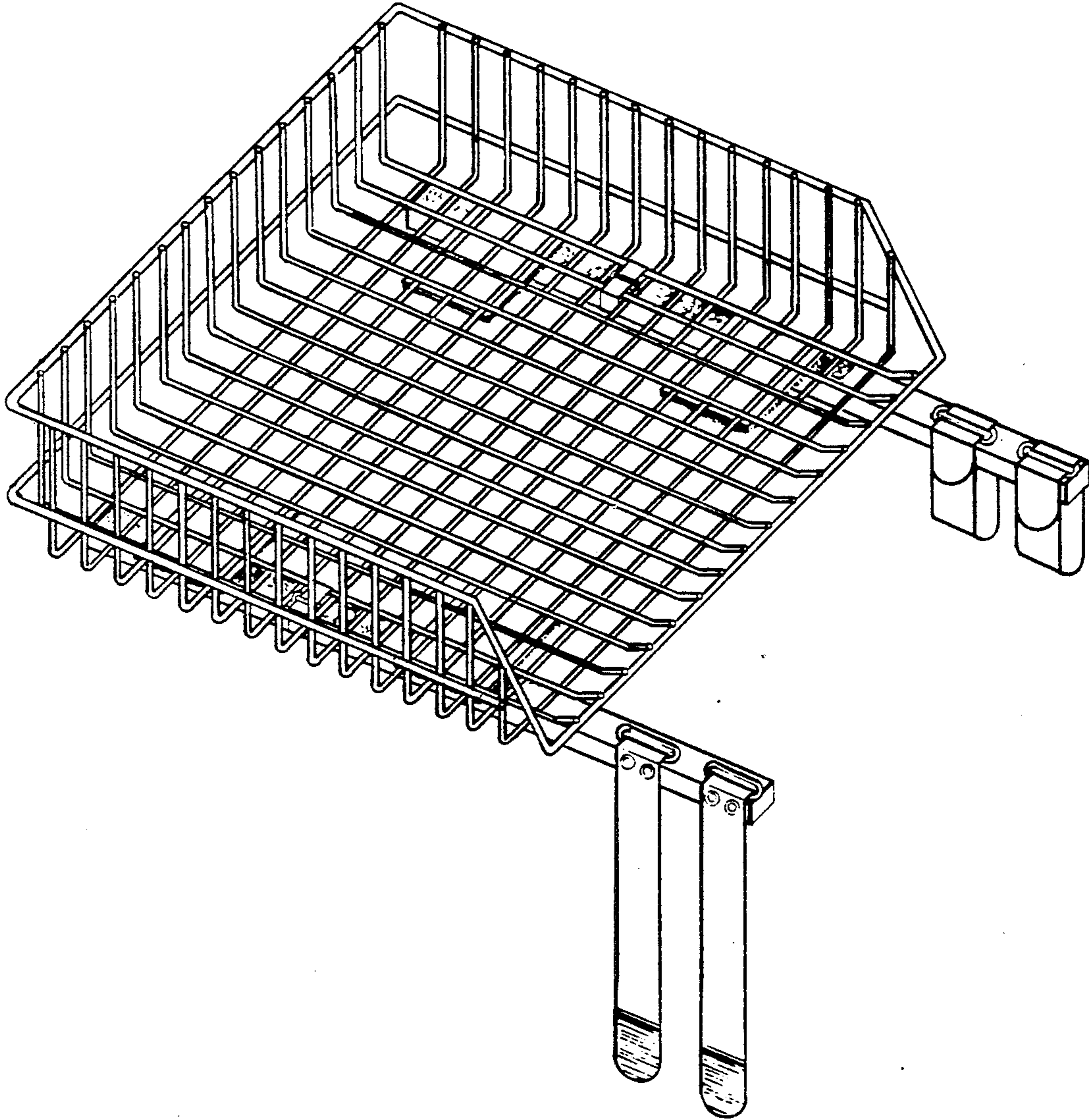
[58] Field of Search **D12/133, 129, 128; 297/194, 193; 248/230; 280/250.1, 304.1; D34/27**

FIG. 1 is a top and left side perspective view of a wheel-chair shopping basket showing my new design; FIG. 2 is a side elevational view thereof, the broken lines are for illustrative purposes only and form no part of the claimed design; FIG. 3 is a left side elevational view thereof; and, FIG. 4 is a top plan view thereof.

[56] **References Cited**

U.S. PATENT DOCUMENTS

D. 218,844 9/1970 Davis D12/133



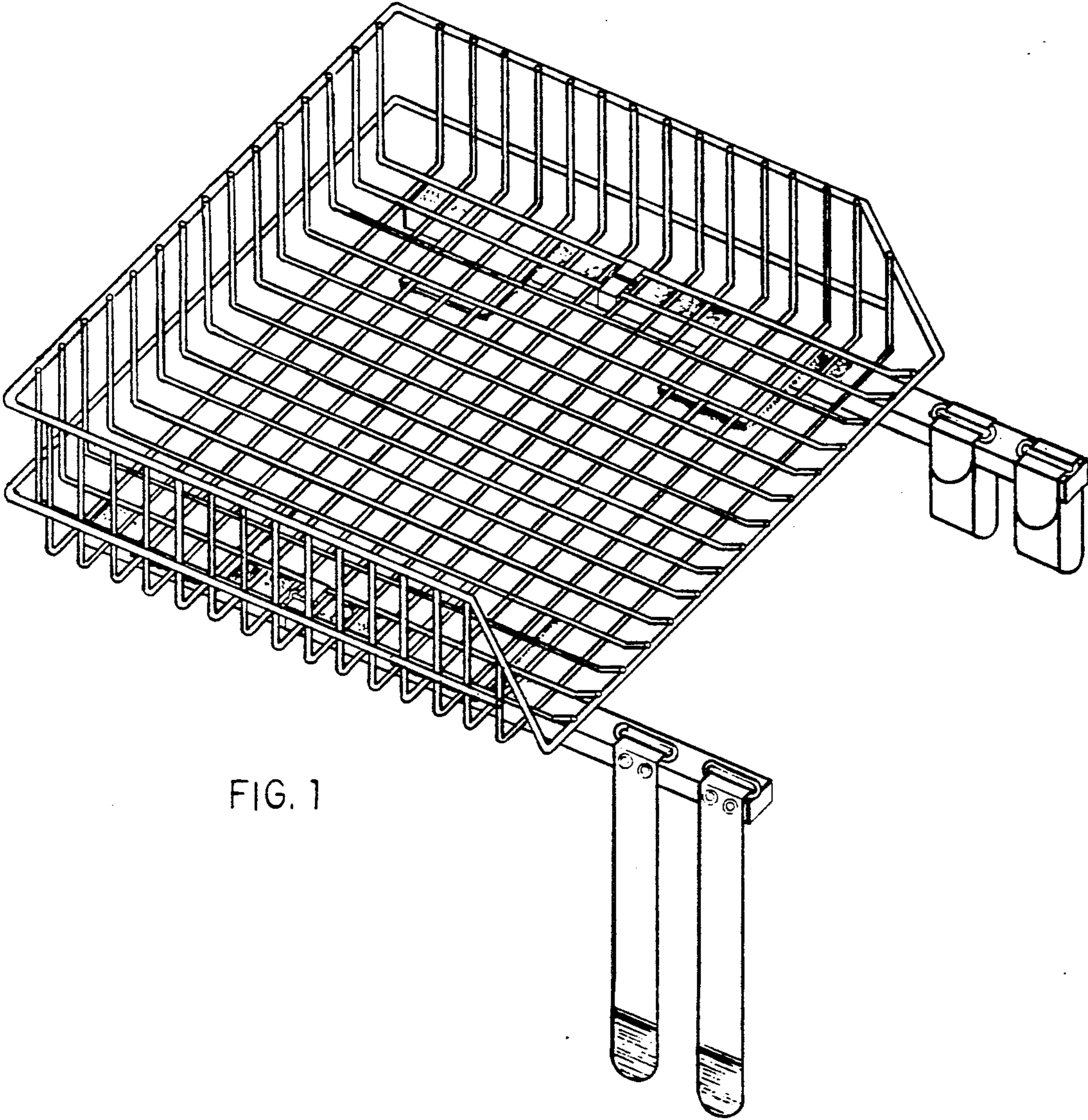
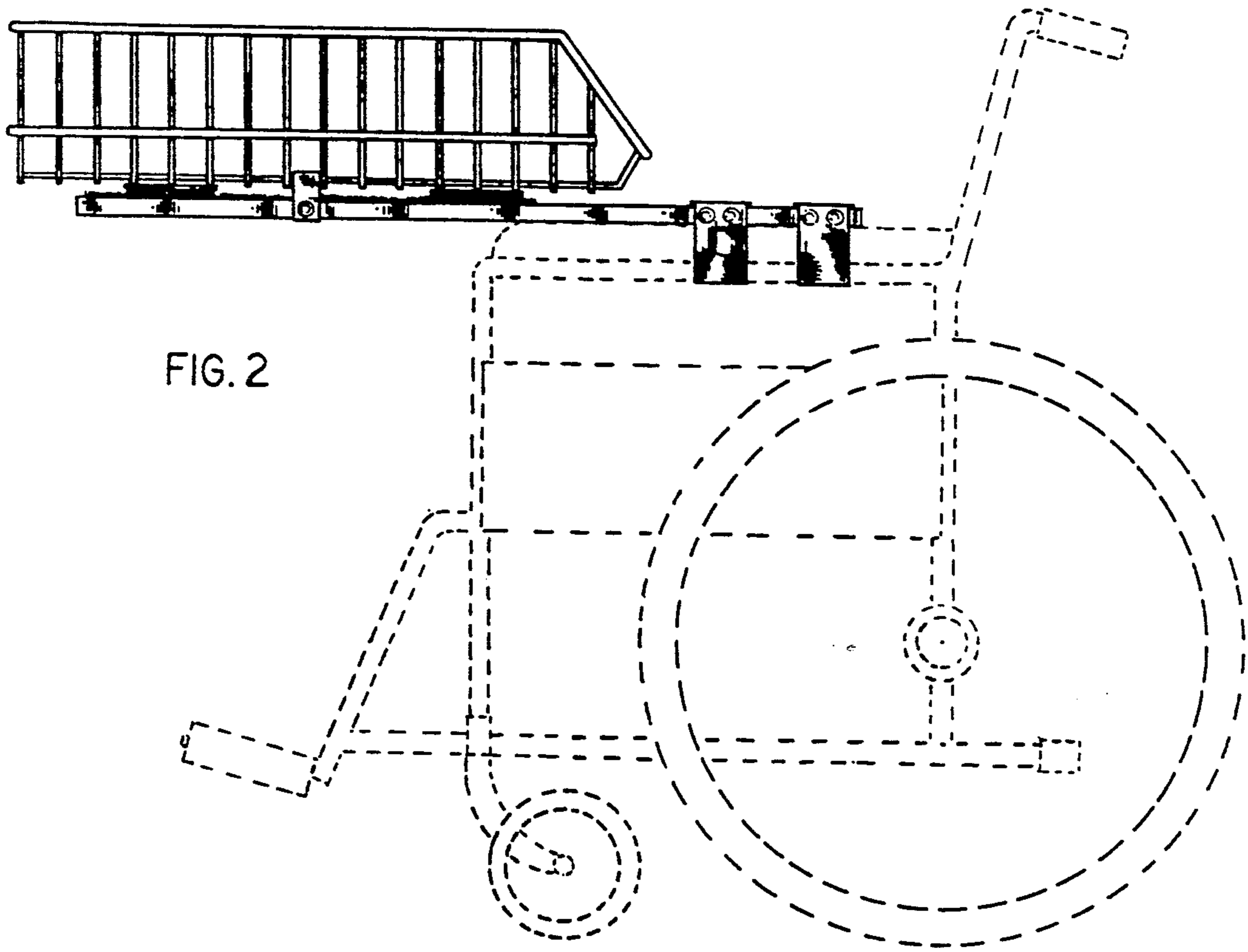


FIG. 1



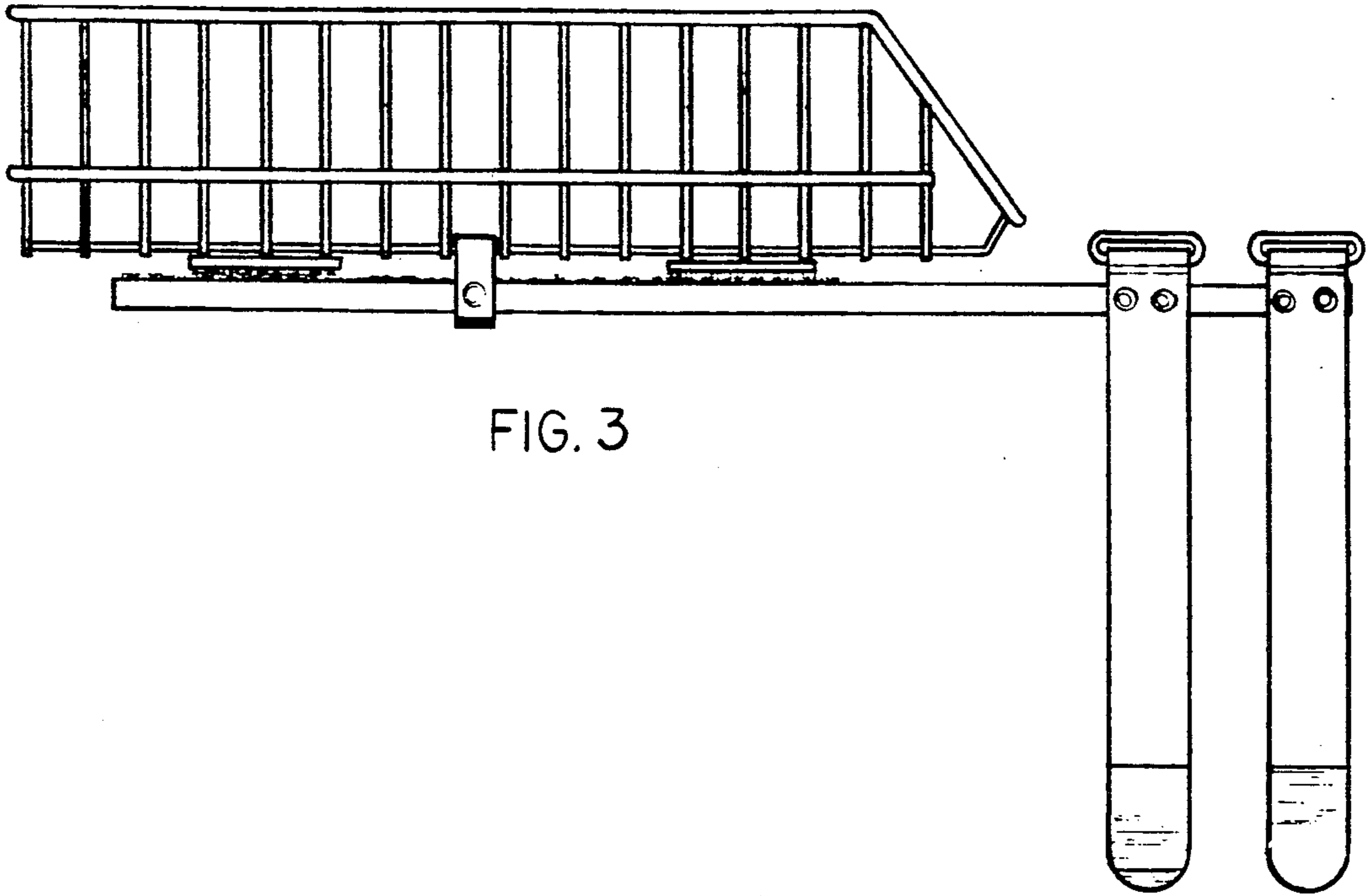


FIG. 3

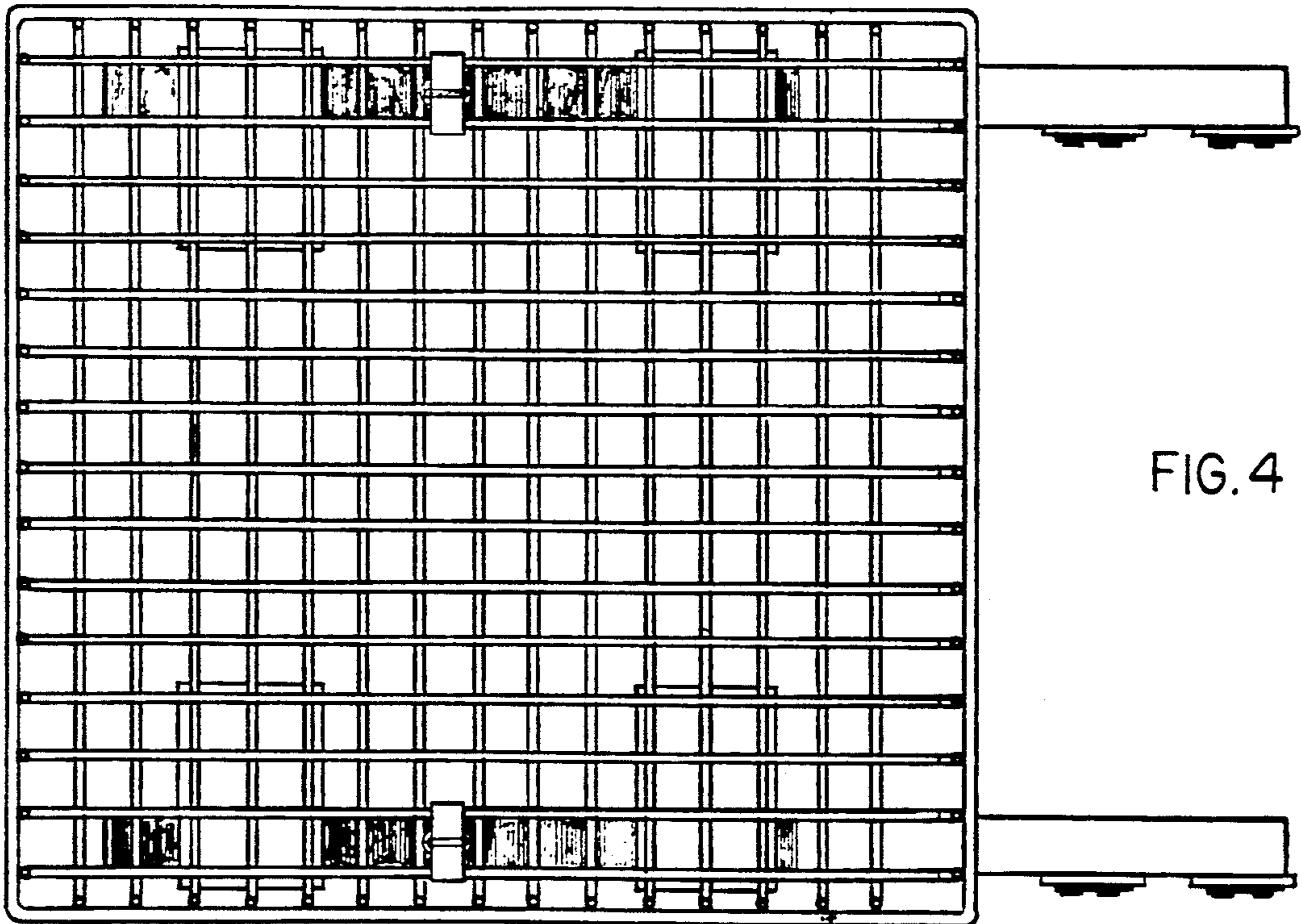


FIG. 4