



US00D329027S

United States Patent [19]

[11] Patent Number: **Des. 329,027**

Kodra et al.

[45] Date of Patent: **** Sep. 1, 1992**

[54] **AUTOMATIC CHRISTMAS TREE FEEDER**

[76] Inventors: **Keith R. Kodra; Cathy L. Kodra**, both of R.D. 1 Box 43, East Berne, N.Y. 12059

[**] Term: **14 Years**

[21] Appl. No.: **528,784**

[22] Filed: **May 25, 1990**

[52] U.S. Cl. **D11/130.1; D8/1**

[58] Field of Search **D8/1; 47/48.5, 79, 1.01, 47/40.5; D5/10, 22; D11/155, 130.1; 248/519**

[56] **References Cited**

U.S. PATENT DOCUMENTS

D. 232,753	9/1974	Jalakas	D11/155
D. 236,018	7/1975	Swift	D11/155
D. 319,416	8/1991	Gehrke	D11/130.1
3,192,665	12/1962	Cloud	D11/153 X
4,300,309	11/1981	Mincy	47/48.5

4,653,224	3/1987	Weckesser	47/79 X
4,782,627	11/1988	Hank	47/48.5 X
5,009,028	4/1991	Lorenzana et al.	47/40.5

Primary Examiner—Wallace R. Burke
Assistant Examiner—H. Baynham
Attorney, Agent, or Firm—Leon Gilden

[57] **CLAIM**

The ornamental design for an automatic Christmas tree feeder, as shown and described.

DESCRIPTION

FIG. 1 is a front elevational view of the automatic Christmas tree feeder showing my new design; FIG. 2 is a rear elevational view thereof; FIG. 3 is a left side elevational view thereof; FIG. 4 is a right side elevational view thereof; FIG. 5 is a top plan view thereof; FIG. 6 is a bottom plan view thereof; and, FIG. 7 is a perspective view thereof.

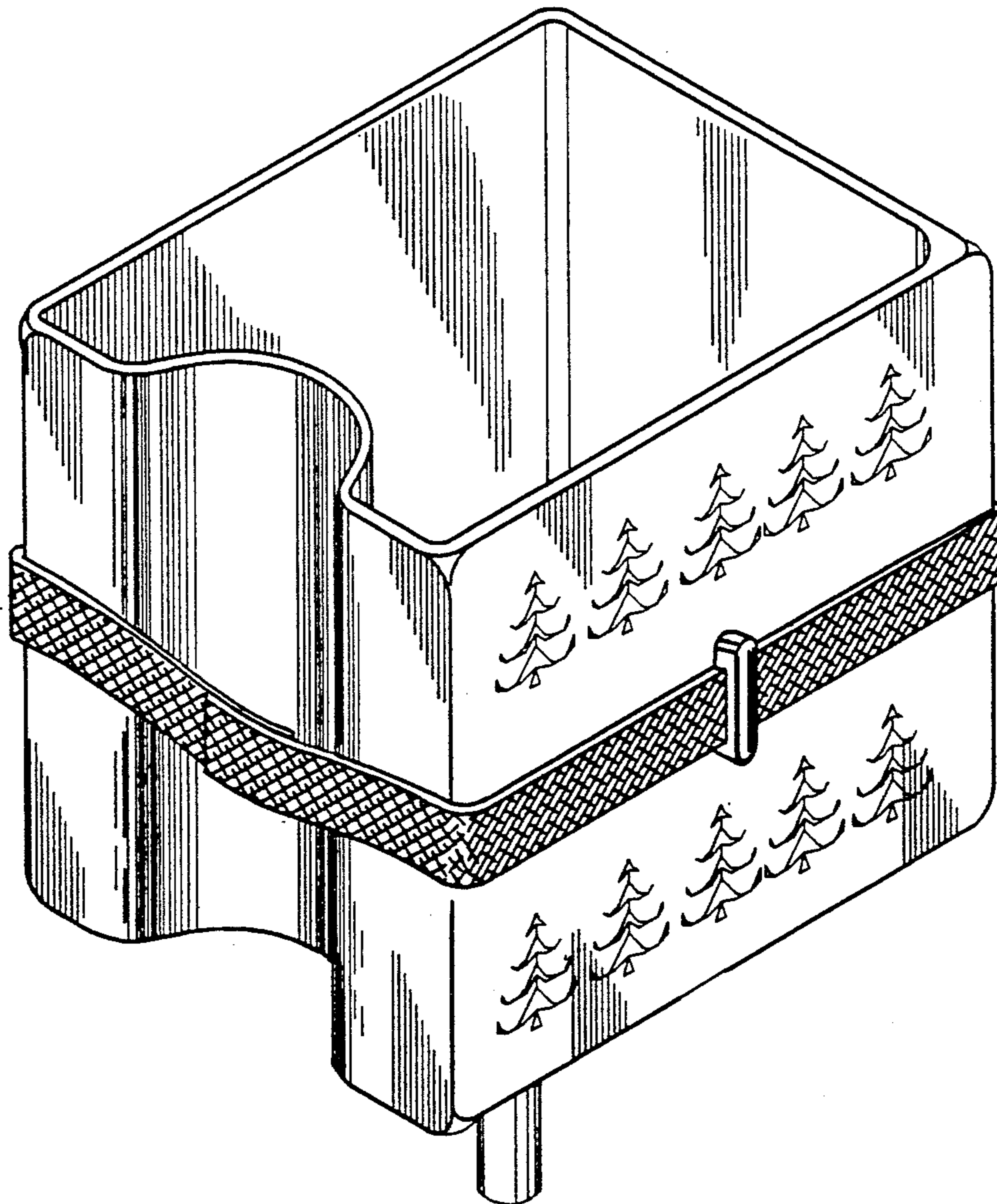


FIG. 1

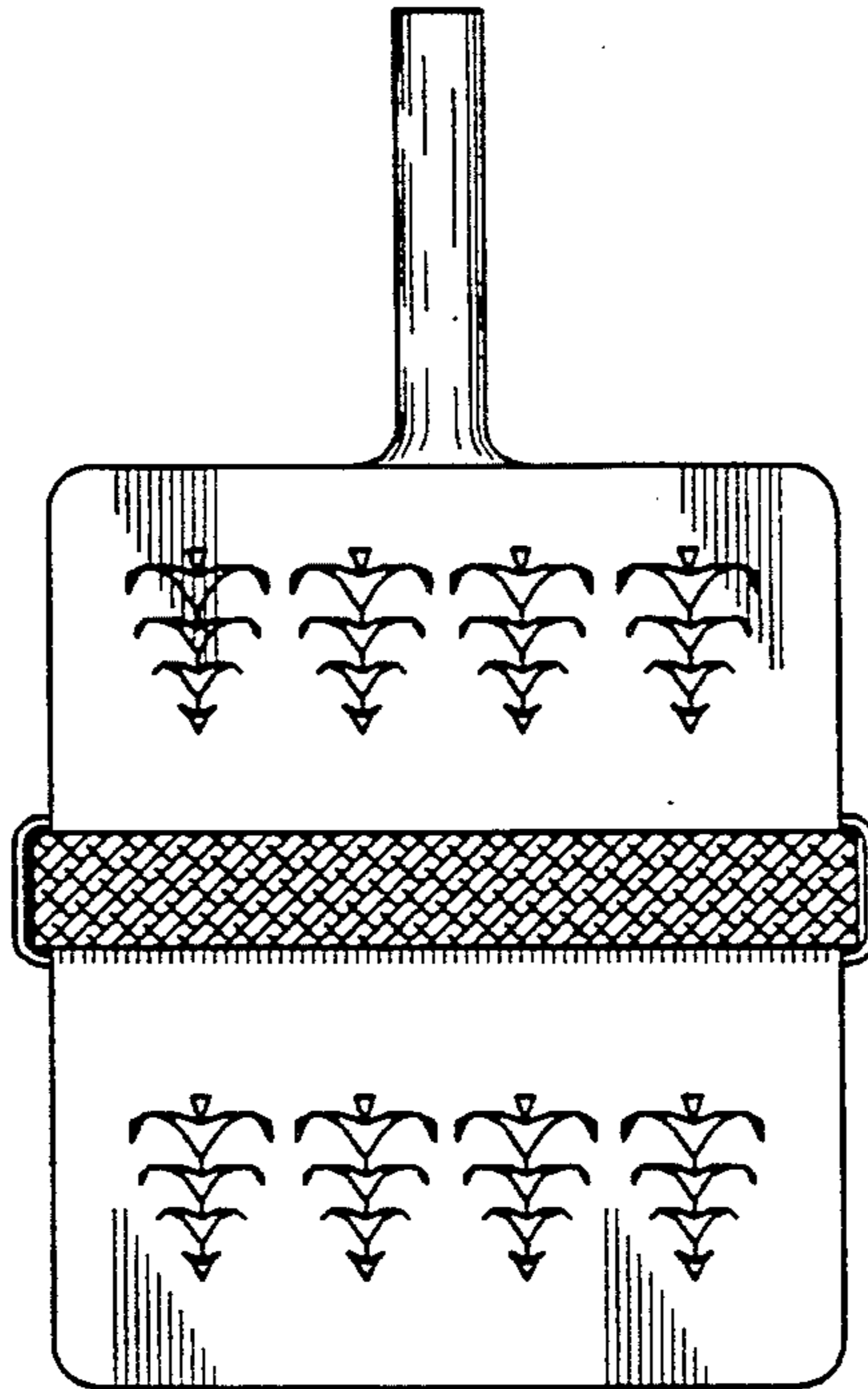


FIG. 2

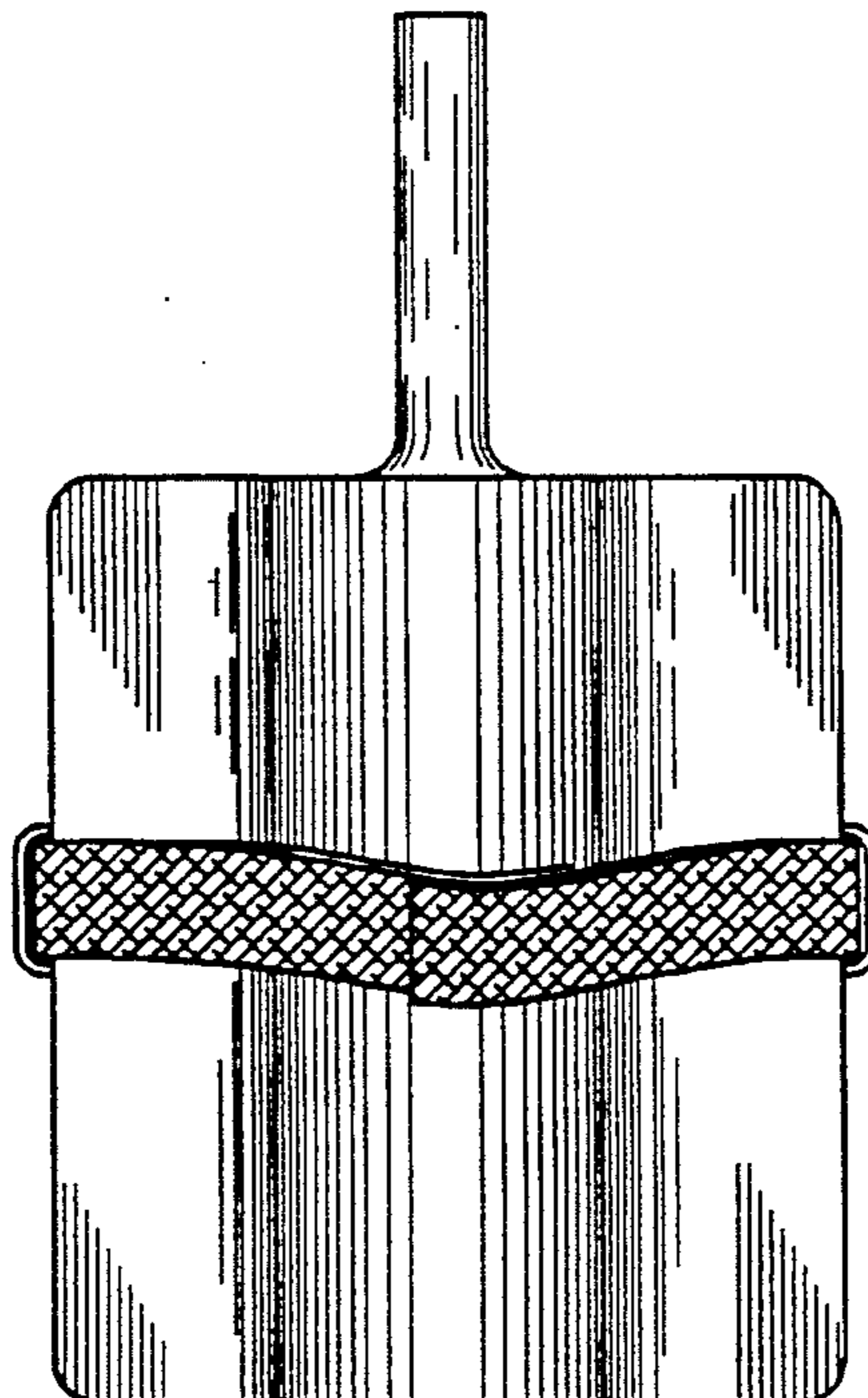


FIG. 3

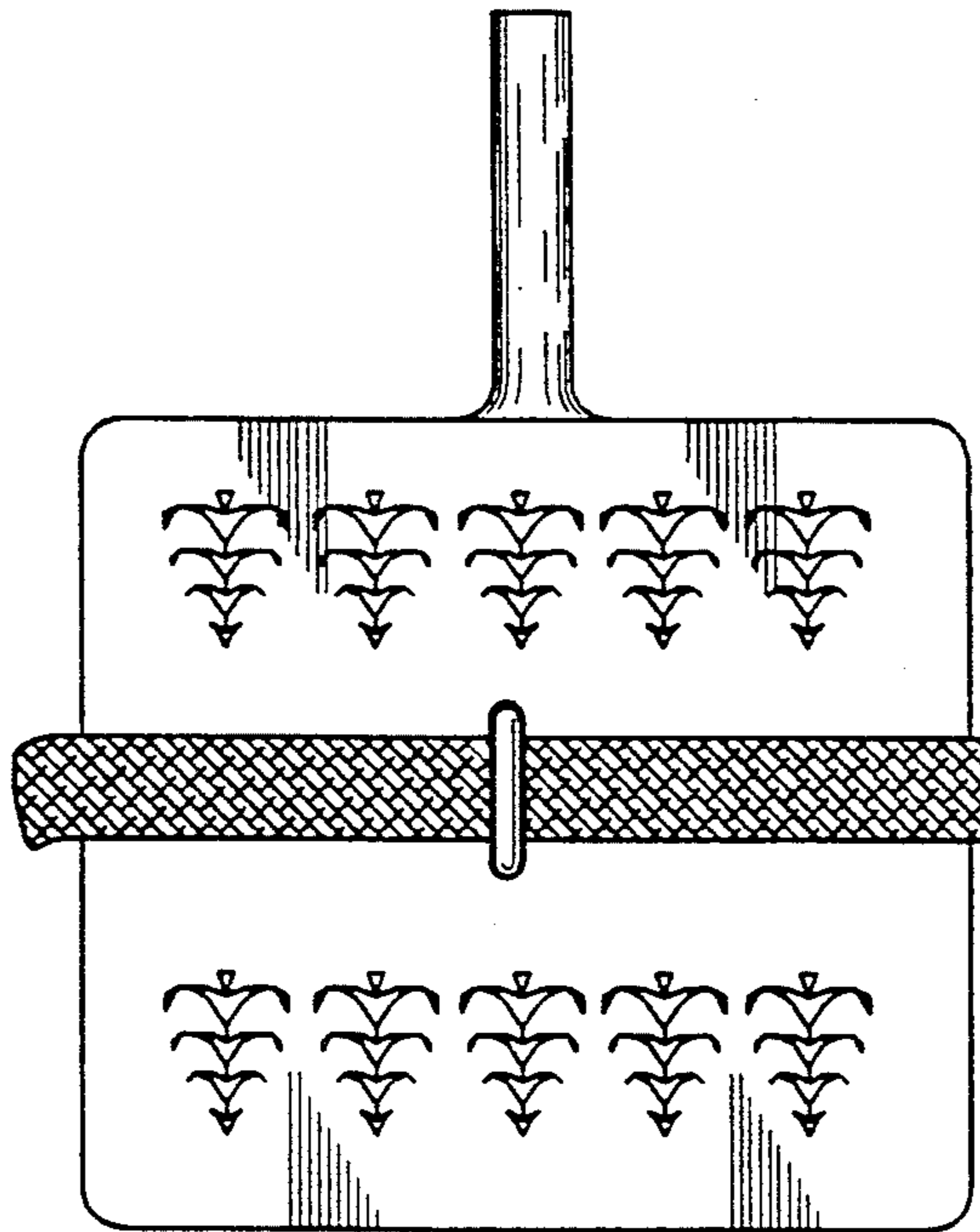


FIG. 4

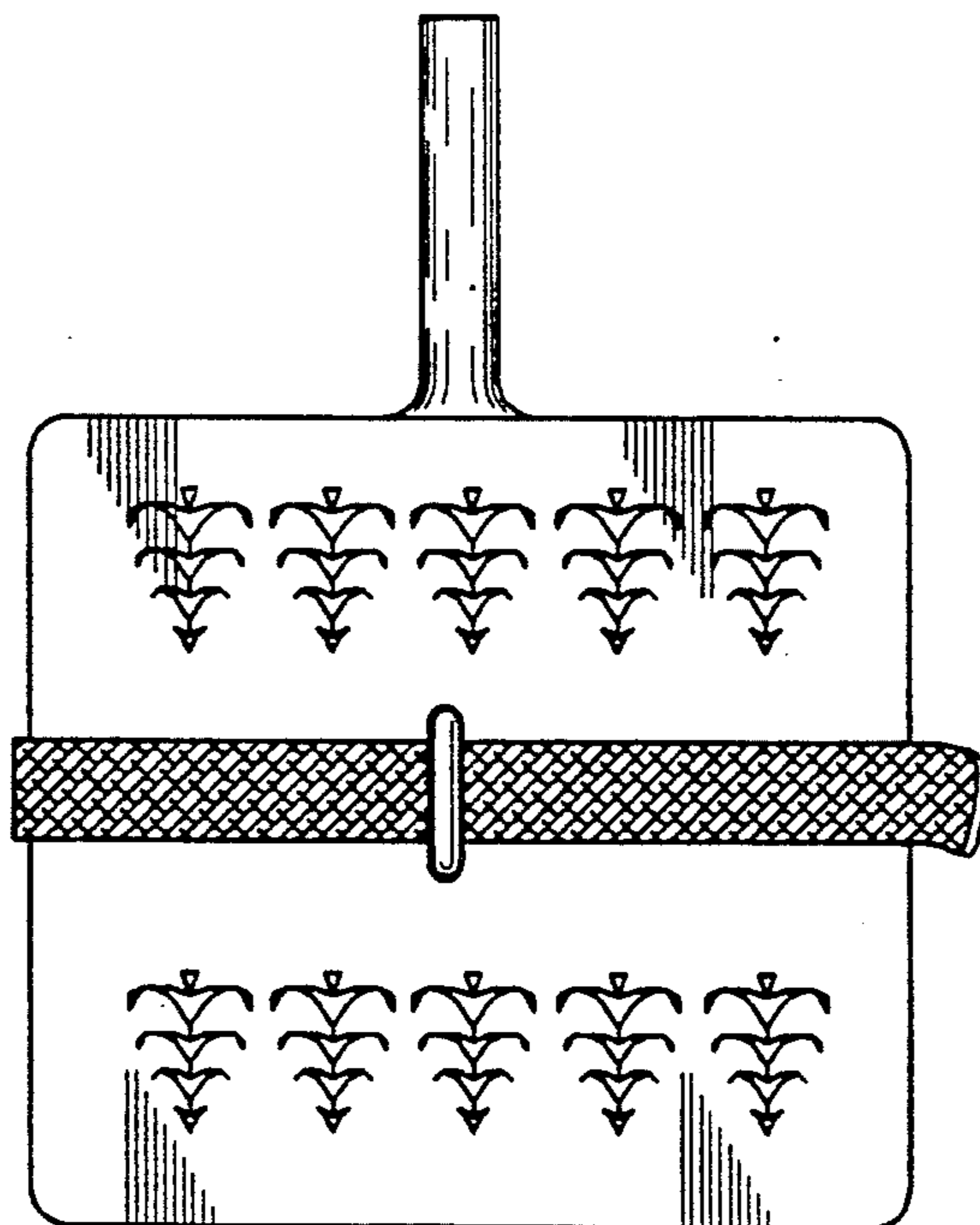


FIG. 5

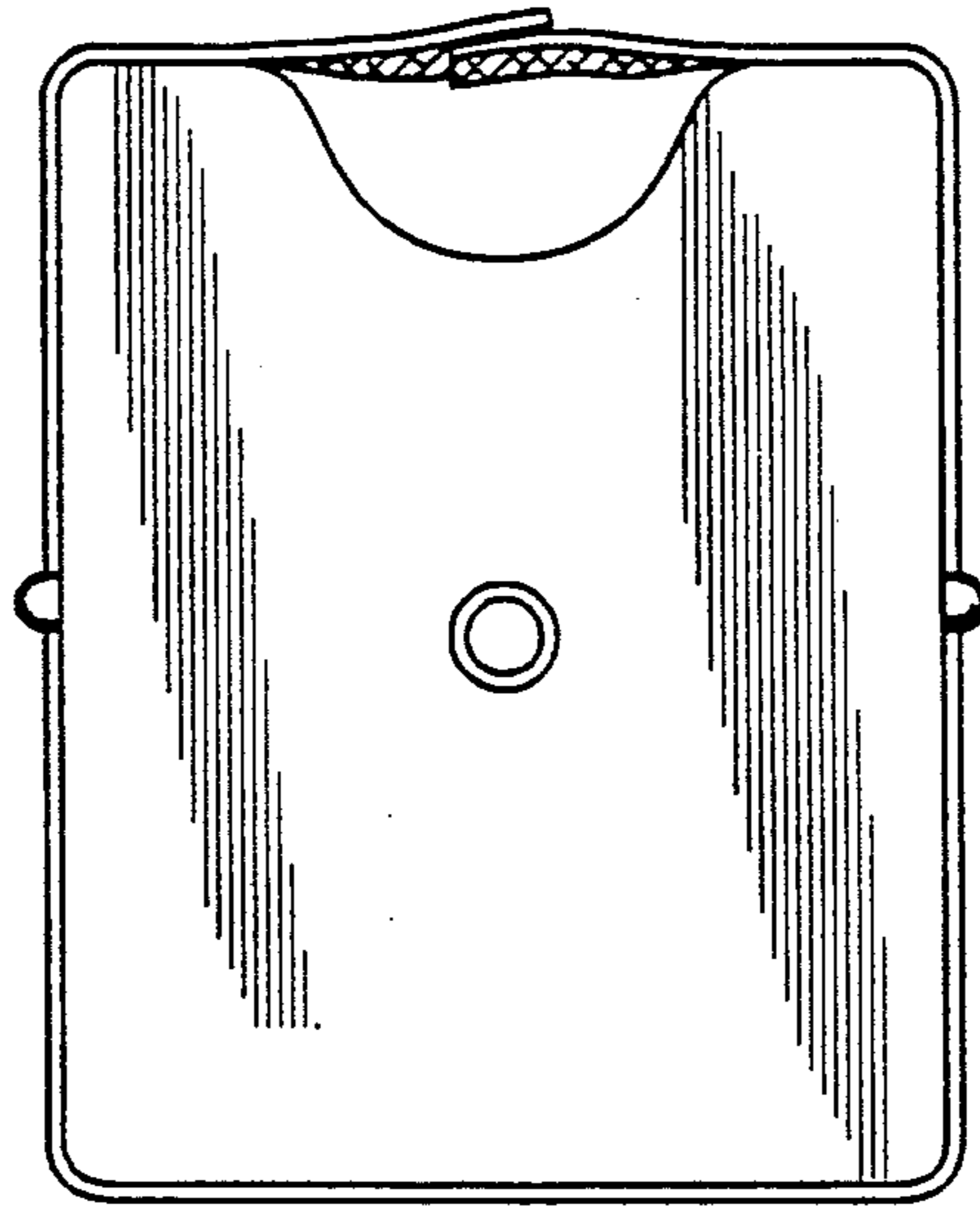
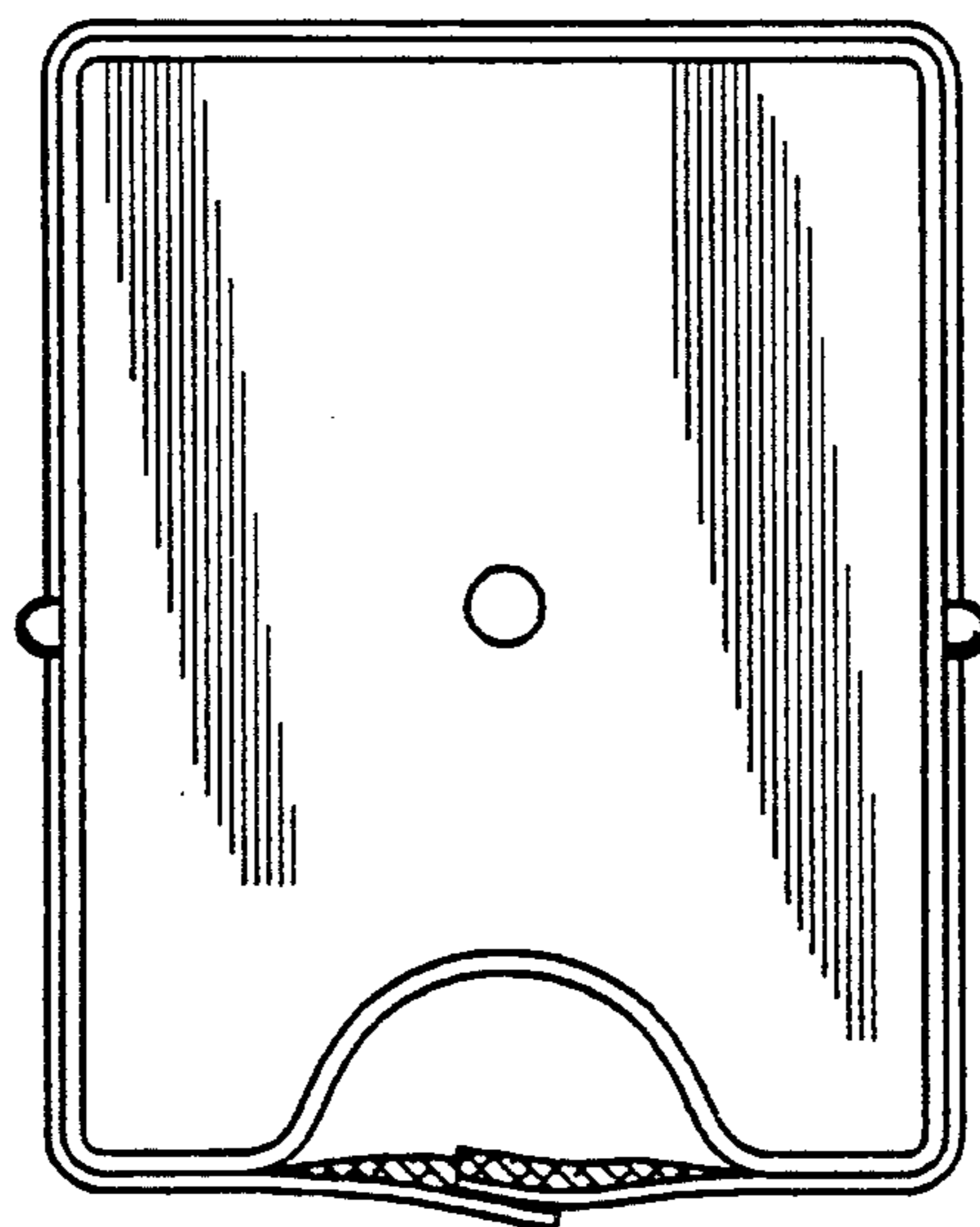


FIG. 6



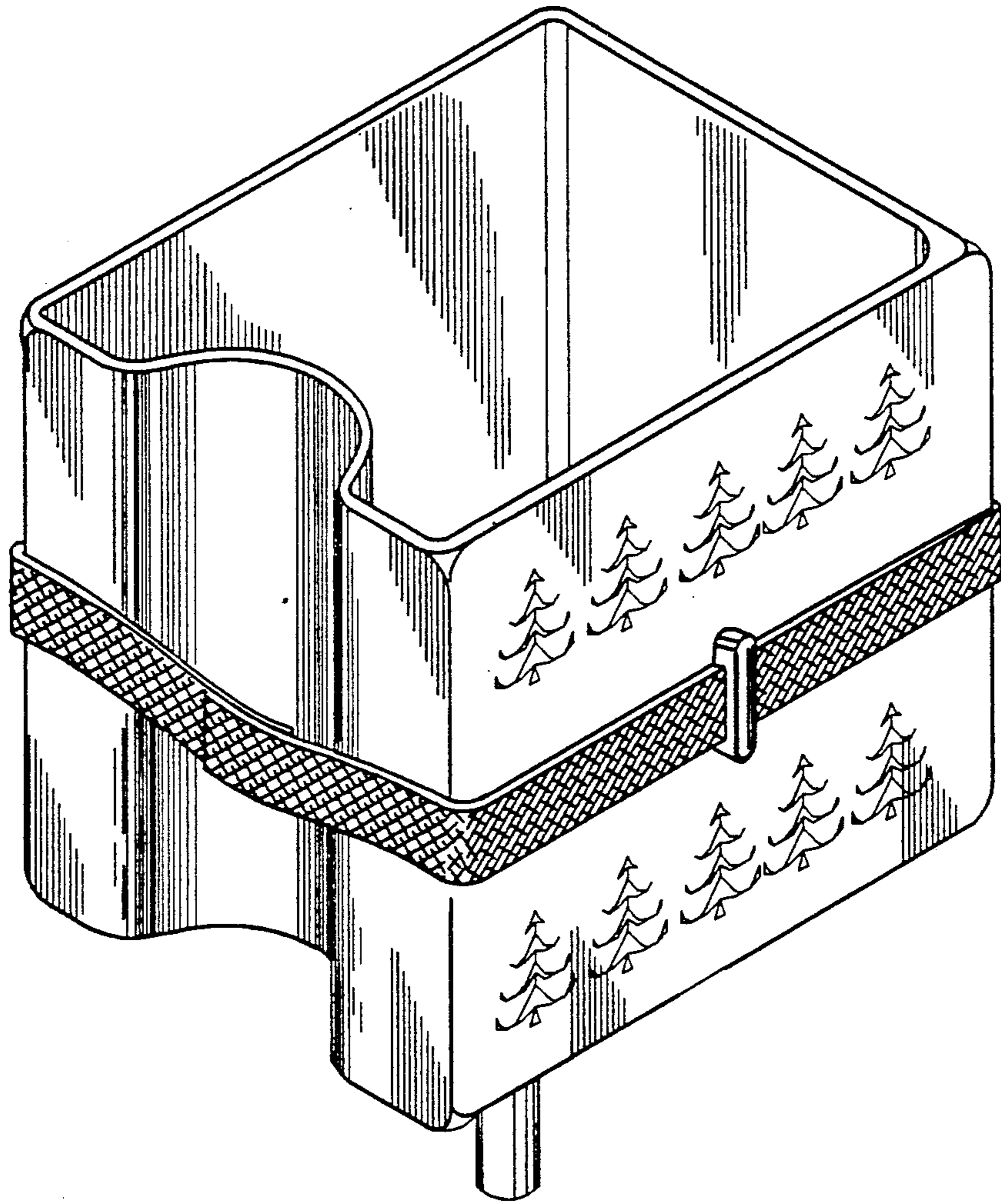


FIG. 7