



US00D329025S

# United States Patent [19]

Storsberg

[11] Patent Number: Des. 329,025

[45] Date of Patent: \*\* Sep. 1, 1992

[54] KITCHEN SCALE

3,894,591 7/1975 Akeret ..... 177/229 X

[75] Inventor: Günter Storsberg, Solingen, Fed. Rep. of Germany

Primary Examiner—Donald P. Walsh  
Assistant Examiner—Antoine D. Davis  
Attorney, Agent, or Firm—Peter K. Kontler

[73] Assignee: Robert Krups GmbH & Co. KG., Solingen, Fed. Rep. of Germany

[57] CLAIM

[\*\*] Term: 14 Years

The ornamental design for a kitchen scale, as shown and described.

[21] Appl. No.: 638,408

DESCRIPTION

[22] Filed: Jan. 7, 1991

[52] U.S. Cl. .... D10/91

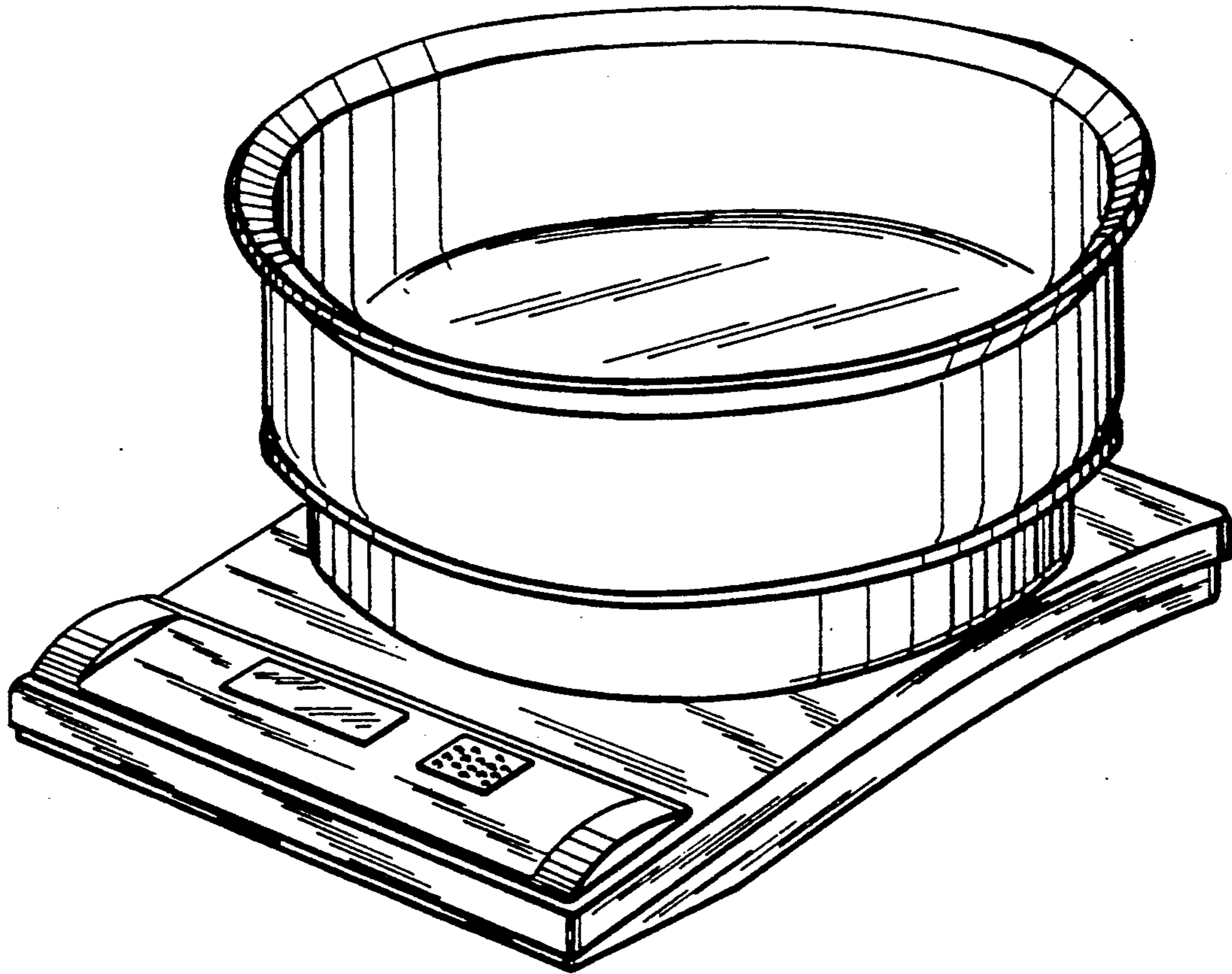
[58] Field of Search ..... D10/89, 91; 177/225, 177/227, 228, 229, 230, 231, 238, 239, 240, 241, 242, 243, 245, 262, DIG. 48 S

FIG. 1 is a top, front and left side perspective view of a kitchen scale showing my new design;  
FIG. 2 is a right side elevational view;  
FIG. 3 is a rear elevational view;  
FIG. 4 is a top plan view;  
FIG. 5 is a bottom plan view;  
FIG. 6 is a front elevational view;  
FIG. 7 is a left side elevational view;  
FIG. 8 is a top, front and right side perspective view of a second embodiment showing my new design of FIGS. 1-7; and,  
FIG. 9 is a top plan view thereof.

[56] References Cited

U.S. PATENT DOCUMENTS

- D. 265,467 7/1982 Perrier ..... D10/91
- D. 312,586 12/1990 Stephens ..... D10/92
- D. 316,683 5/1991 Minuti ..... D10/91
- 2,487,664 11/1949 Morgan ..... 177/243 X



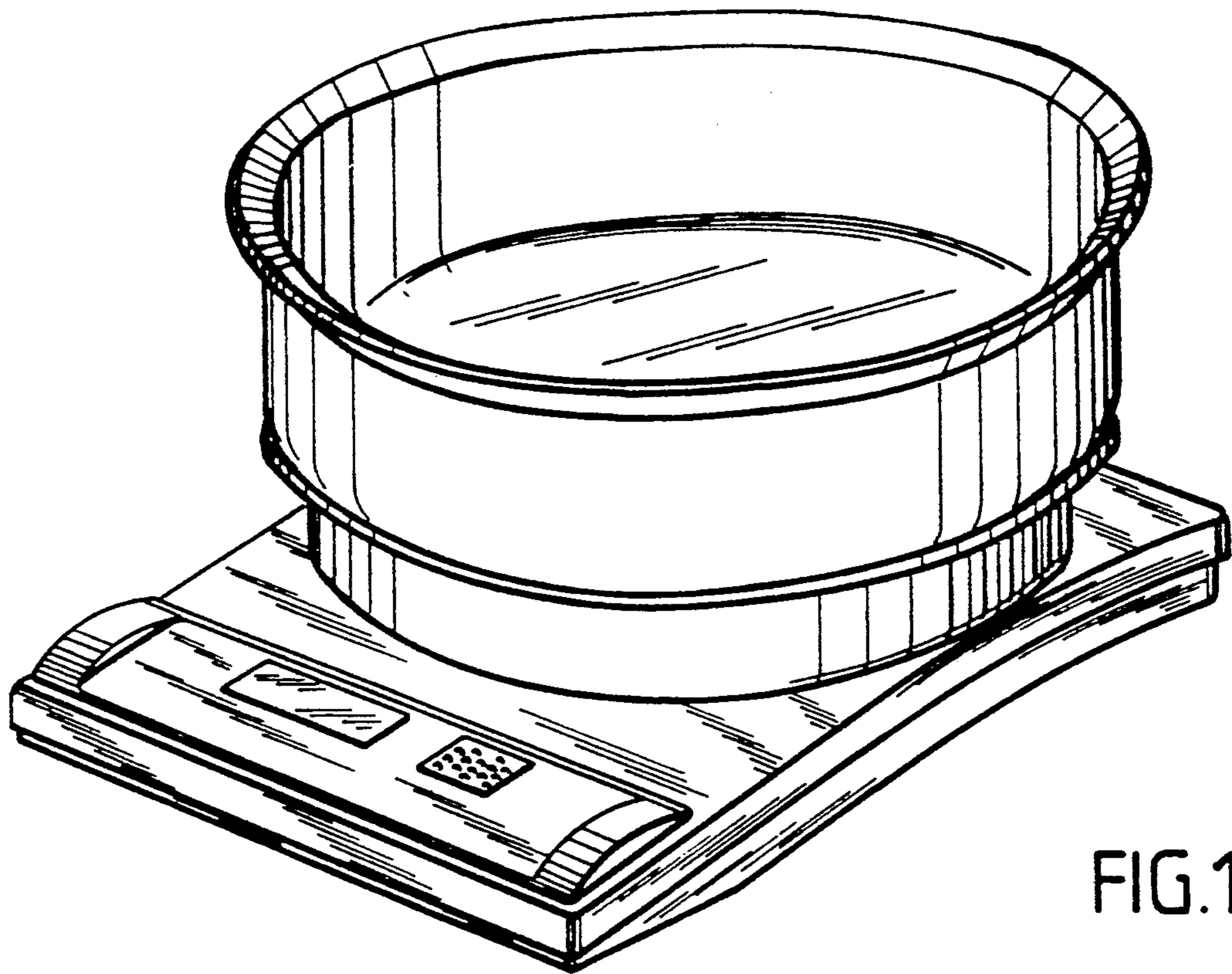


FIG. 1

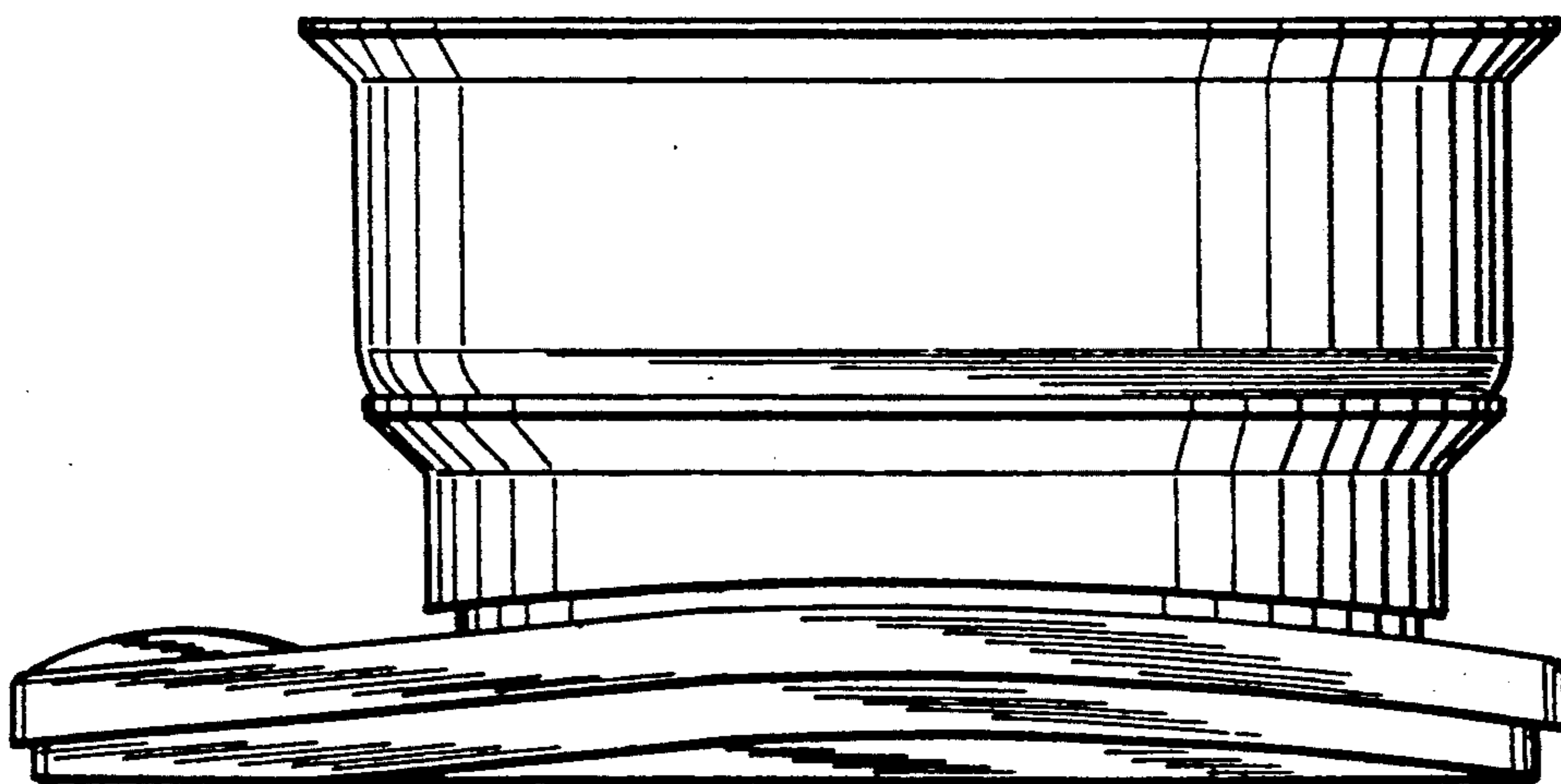


FIG. 2

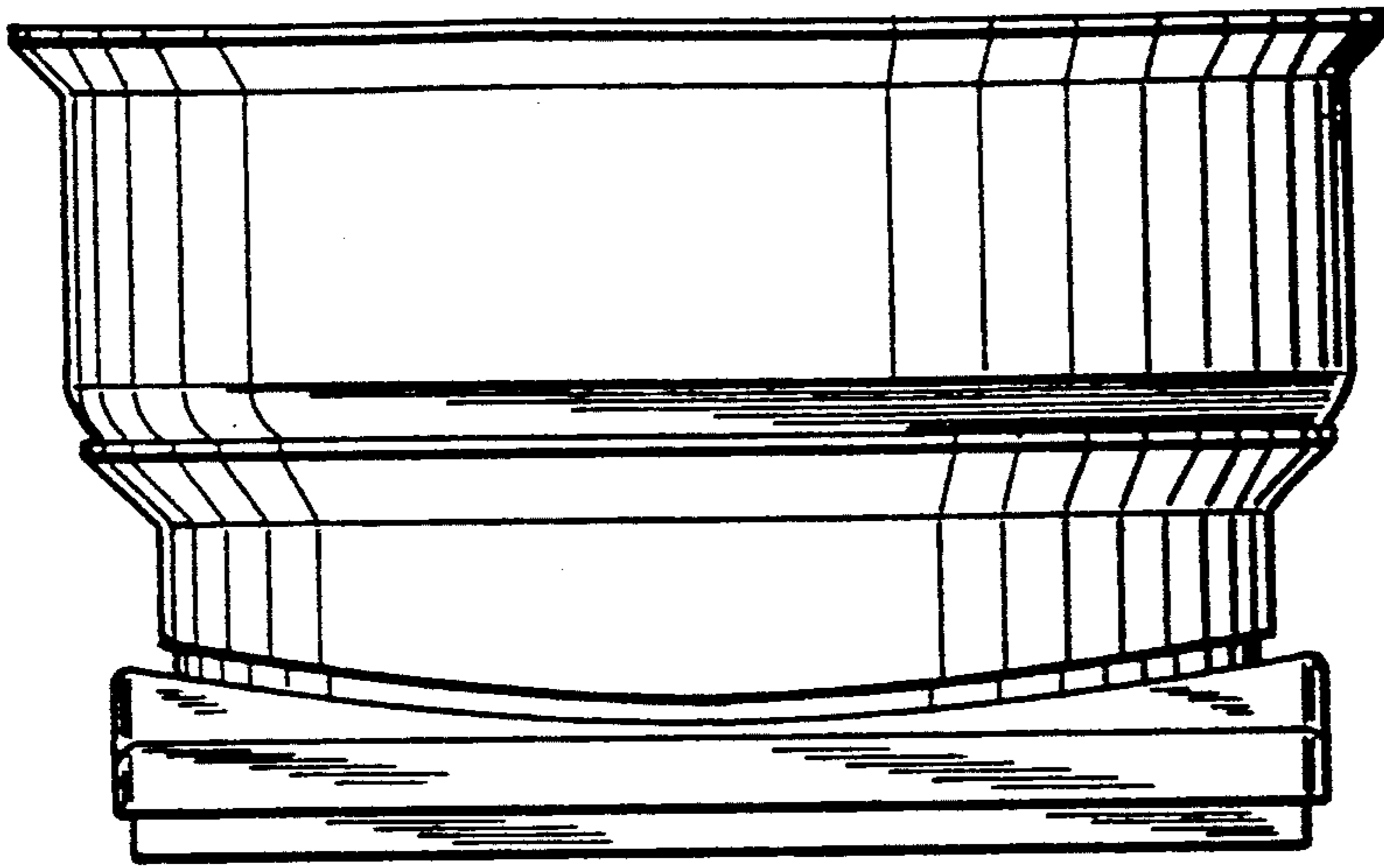


FIG. 3

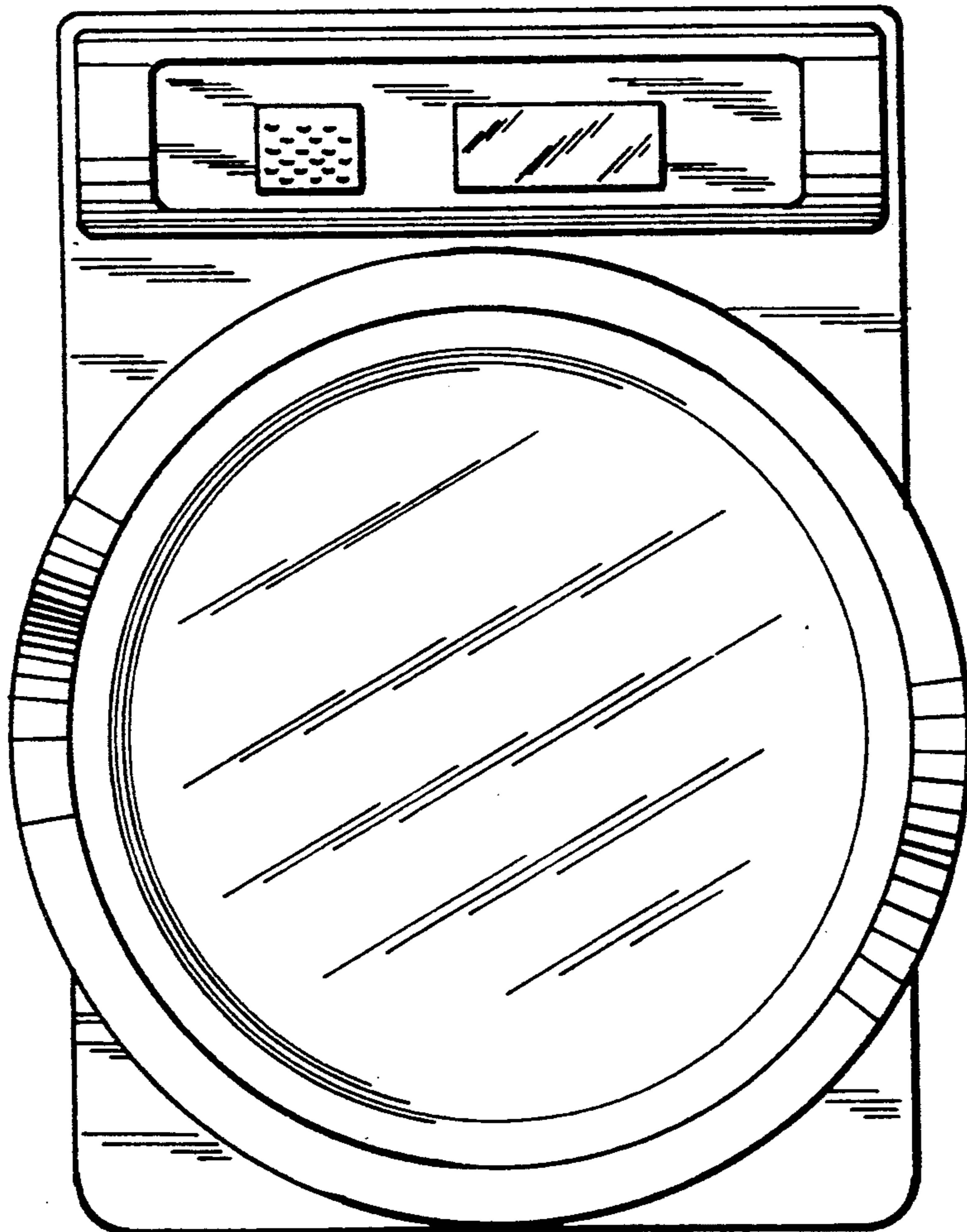


FIG. 4

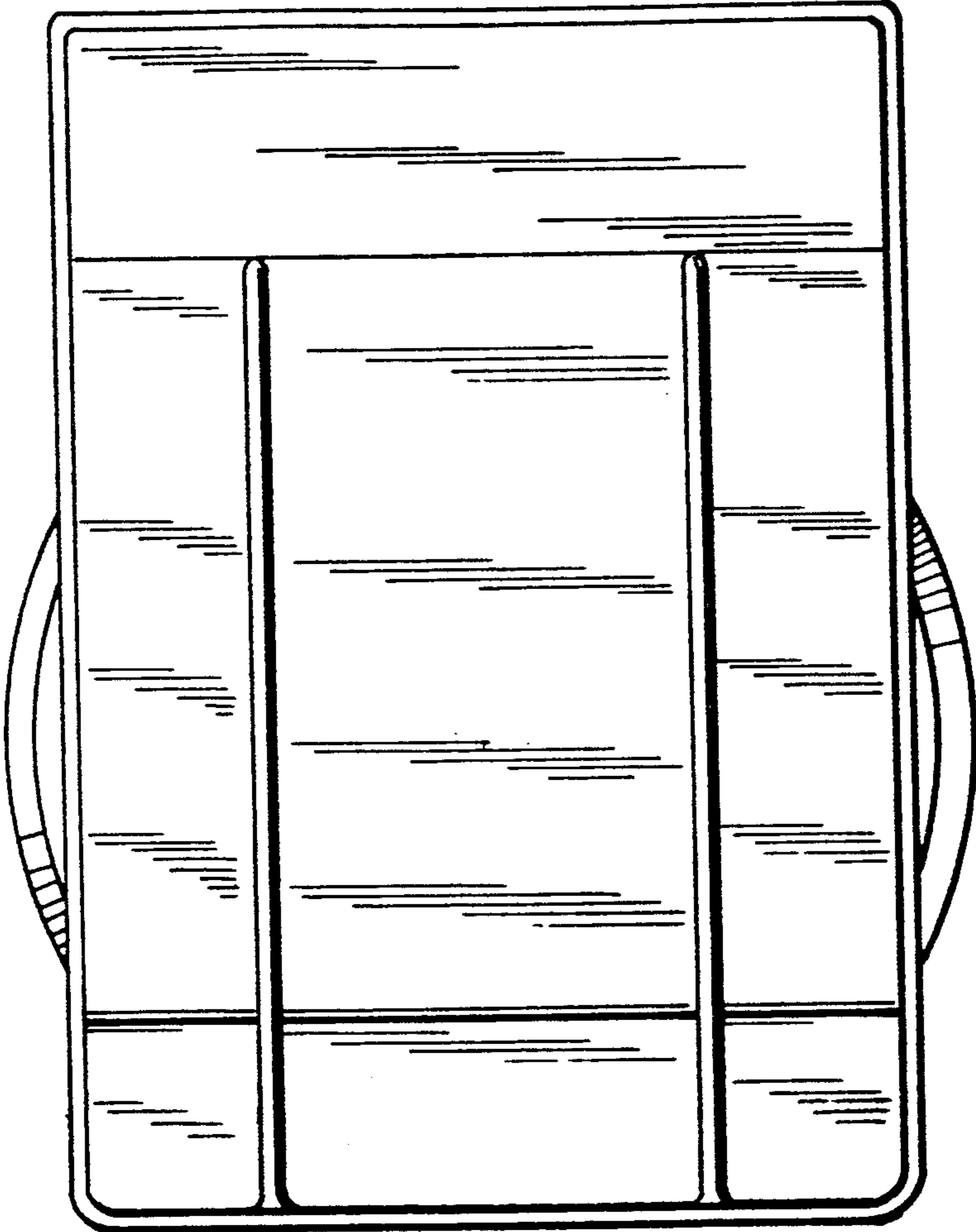


FIG. 5

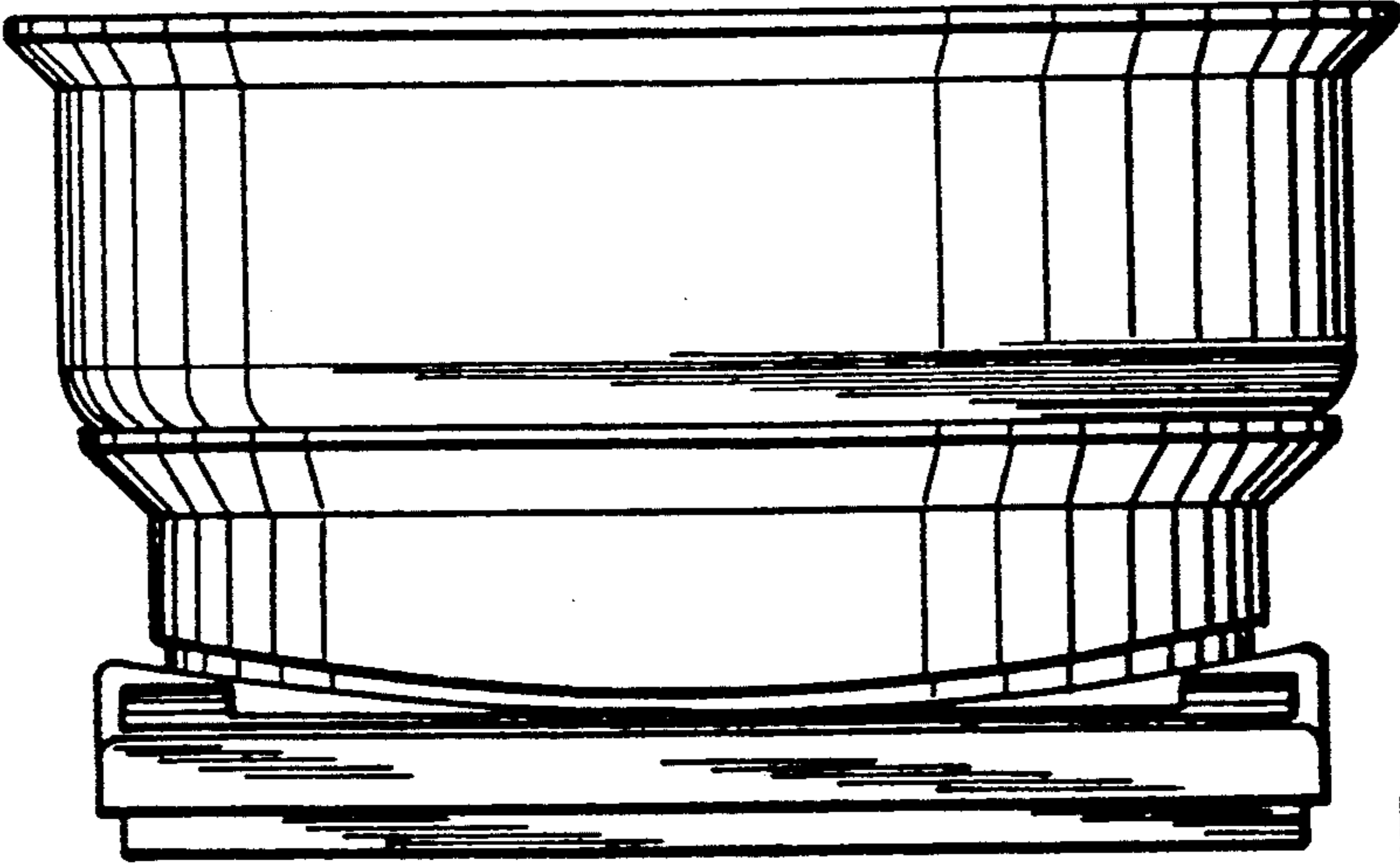


FIG. 6

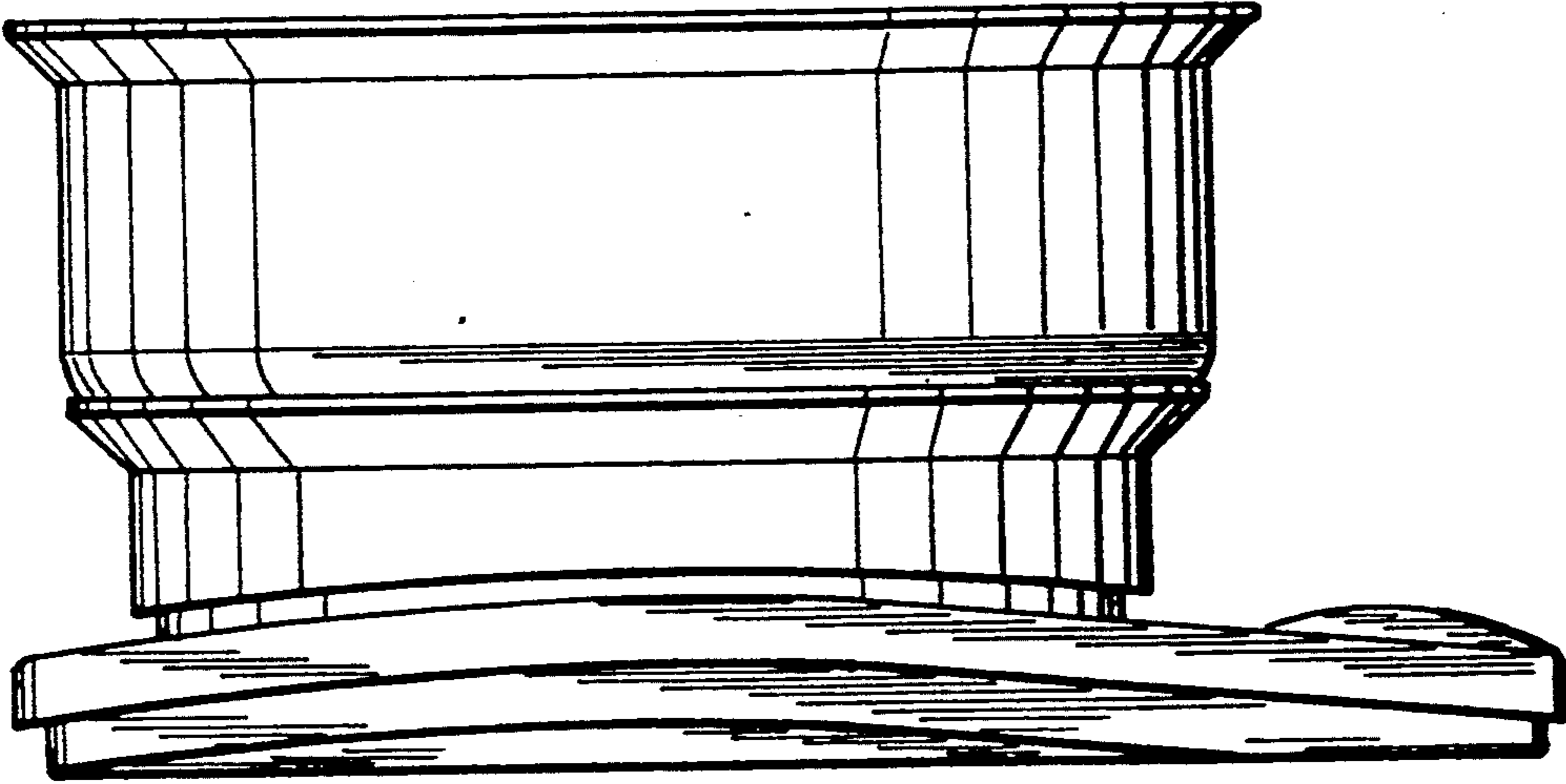


FIG. 7

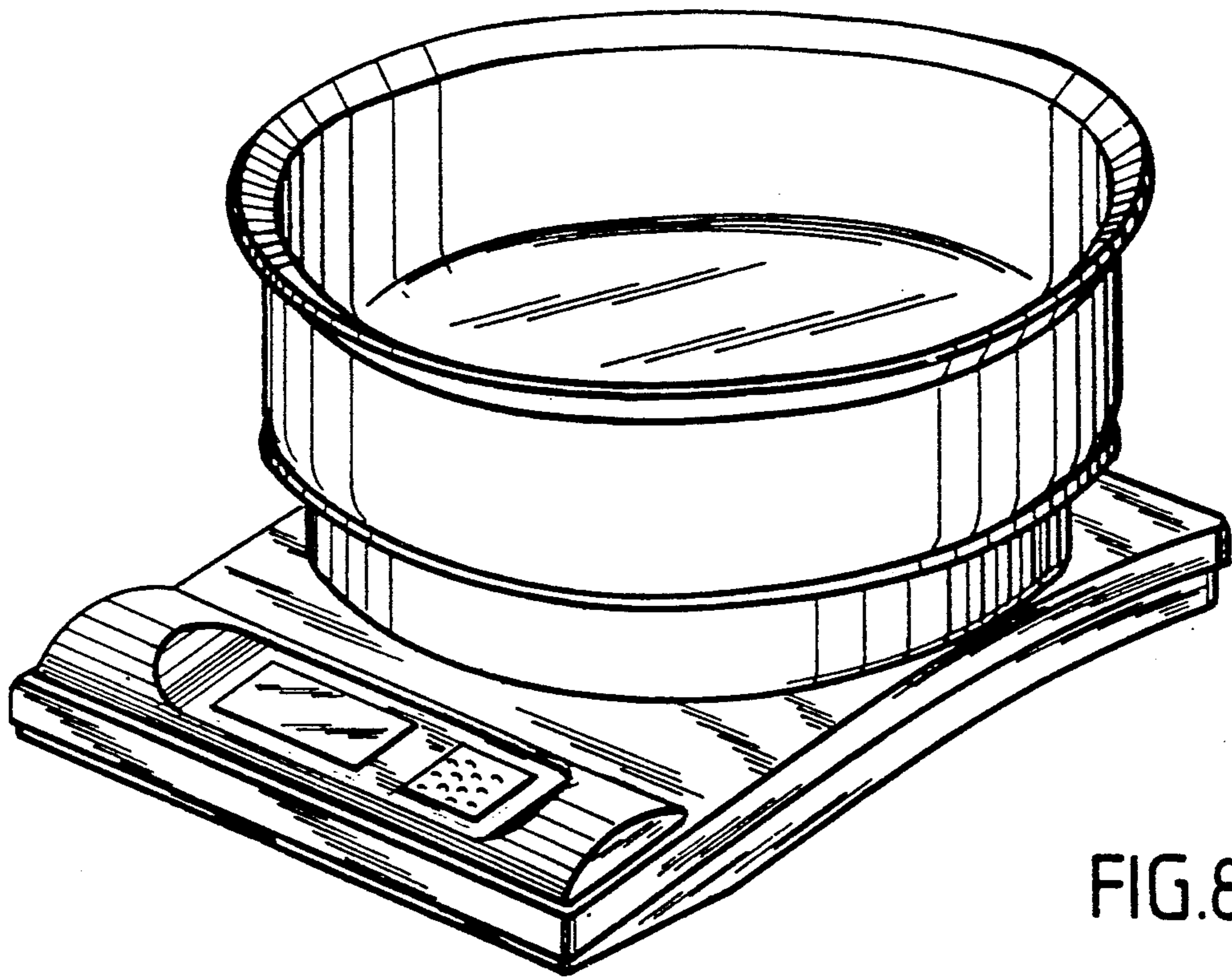


FIG. 8

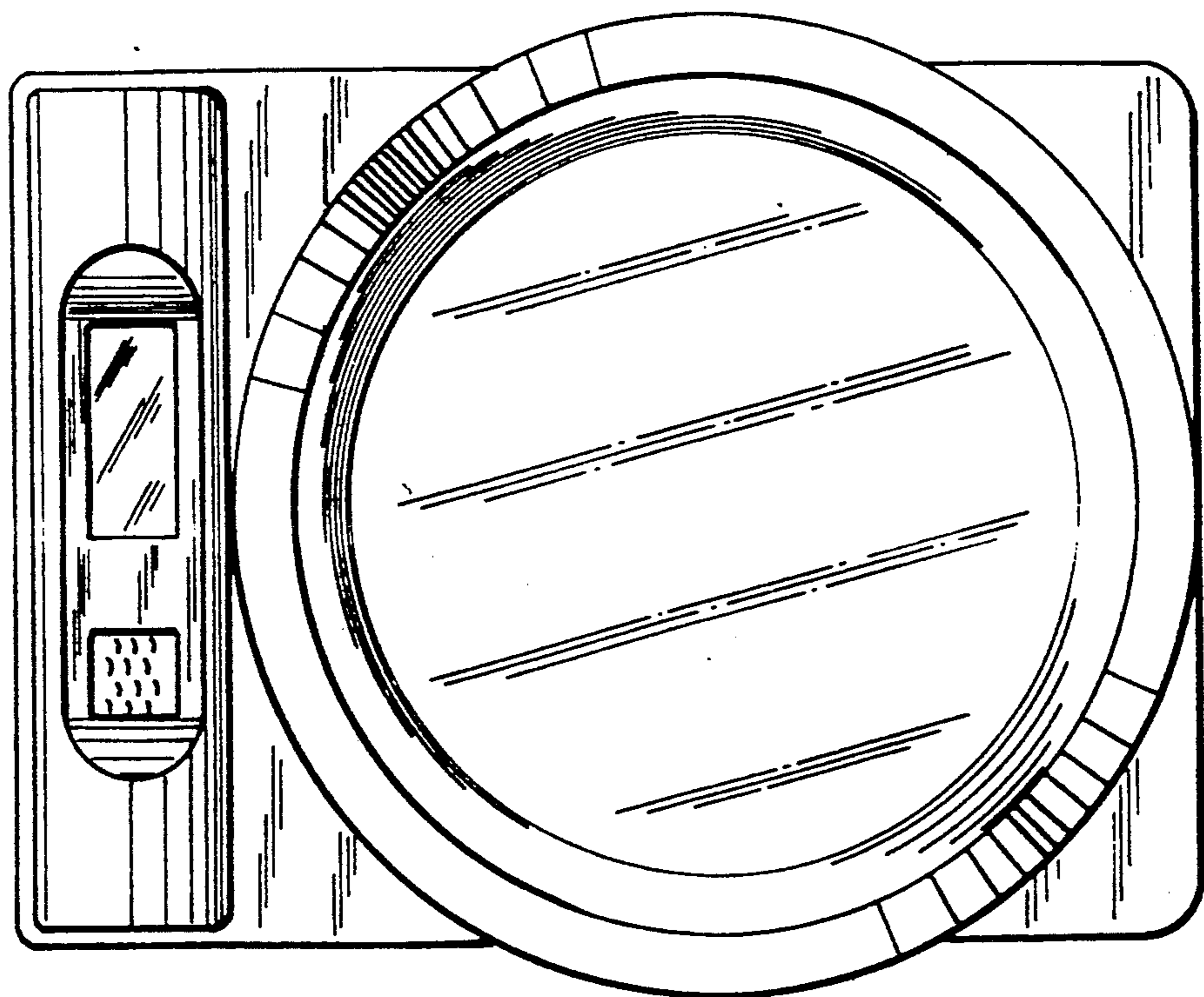


FIG. 9