



US00D329017S

United States Patent [19] Goodale

[11] Patent Number: **Des. 329,017**

[45] Date of Patent: **** Sep. 1, 1992**

[54] STACKABLE MEDICINE PACKAGE

[75] Inventor: **Keith Goodale, Park City, Ill.**

[73] Assignee: **Baxter International Inc., Deerfield, Ill.**

[**] Term: **14 Years**

[21] Appl. No.: **460,225**

[22] Filed: **Jan. 3, 1990**

[52] U.S. Cl. **D9/415**

[58] Field of Search **D9/415, 418, 423, 424, D9/341, 337; 206/461-471, 538, 528, 532, 534, 540, 828**

[56] References Cited

U.S. PATENT DOCUMENTS

D. 268,167	3/1983	Fox	D9/415
D. 272,129	1/1984	Levine	D9/415
D. 280,387	9/1985	Morgan	D9/415
D. 282,243	1/1986	Mason	D9/415 X
D. 311,683	10/1990	Diba et al.	D9/415
2,971,638	2/1961	Allison et al.	206/539 X
3,278,015	10/1966	Bernstein	206/461 X

FOREIGN PATENT DOCUMENTS

360647 2/1962 Switzerland 206/461

Primary Examiner—Bernard Ansher

Assistant Examiner—Prabhakar Desmukh

Attorney, Agent, or Firm—Paul E. Schaafsma; Amy L. H. Rockwell; Paul C. Flattery

[57] CLAIM

The ornamental design for a stackable medicine package, as substantially shown and described.

DESCRIPTION

FIG. 1 is a front elevation of a stackable medicine package showing my new design;

FIG. 2 is a left side elevation thereof, the right side elevation being a mirror image thereof;

FIG. 3 is a top plan view thereof;

FIG. 4 is a bottom plan view thereof;

FIG. 5 is a perspective view thereof;

FIG. 6 is a left side elevation thereof; and,

FIG. 7 is a rear elevation view thereof.

The stacked package shown in FIG. 6 in broken line is for ease of illustration only. The broken line showing a tablet in FIG. 5 is for illustrative purposes only and forms no part of the claim.

The texture depicted in portion on the lower surface of FIGS. 1 and 5 covers this entire surface.

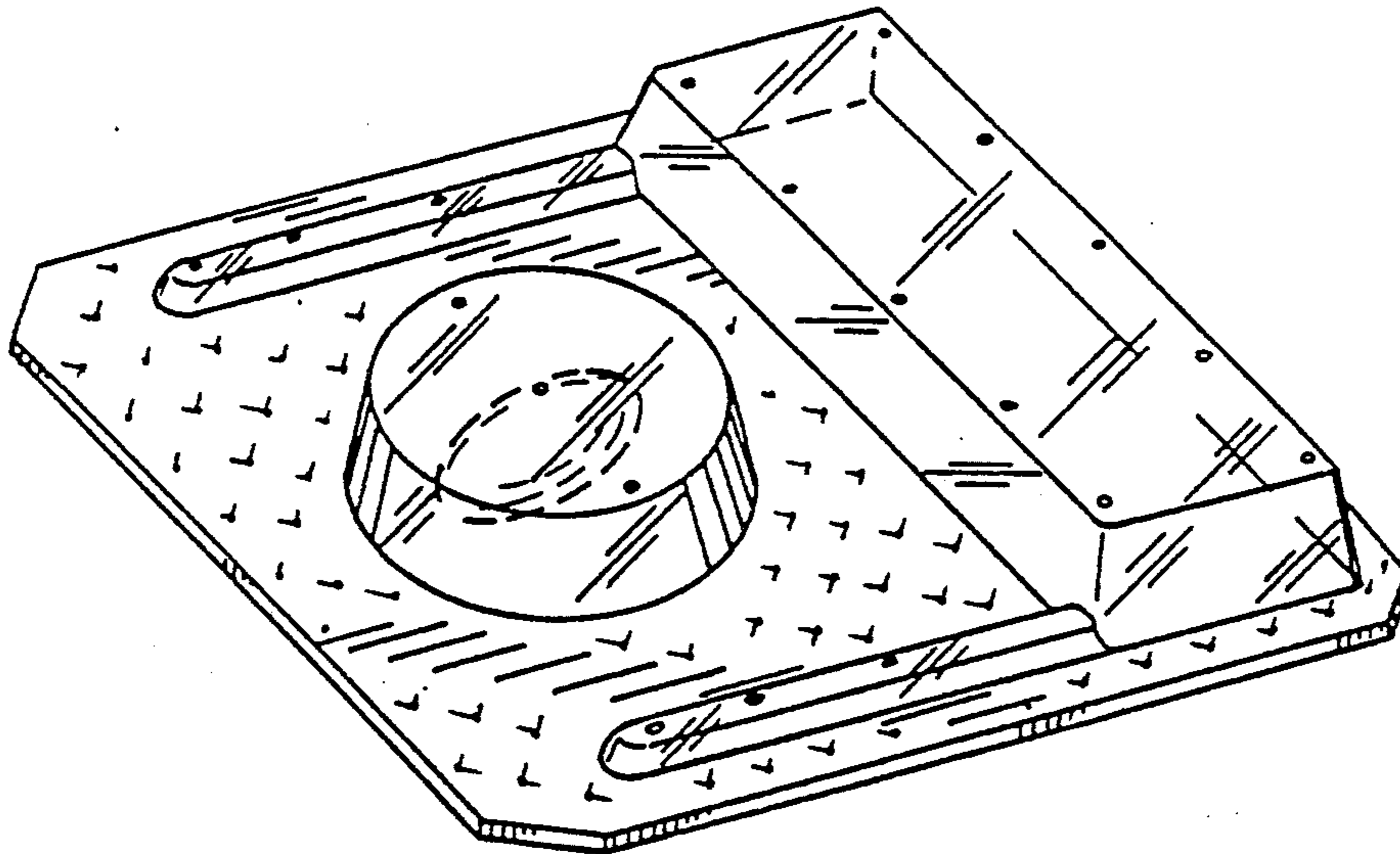


FIG. 1

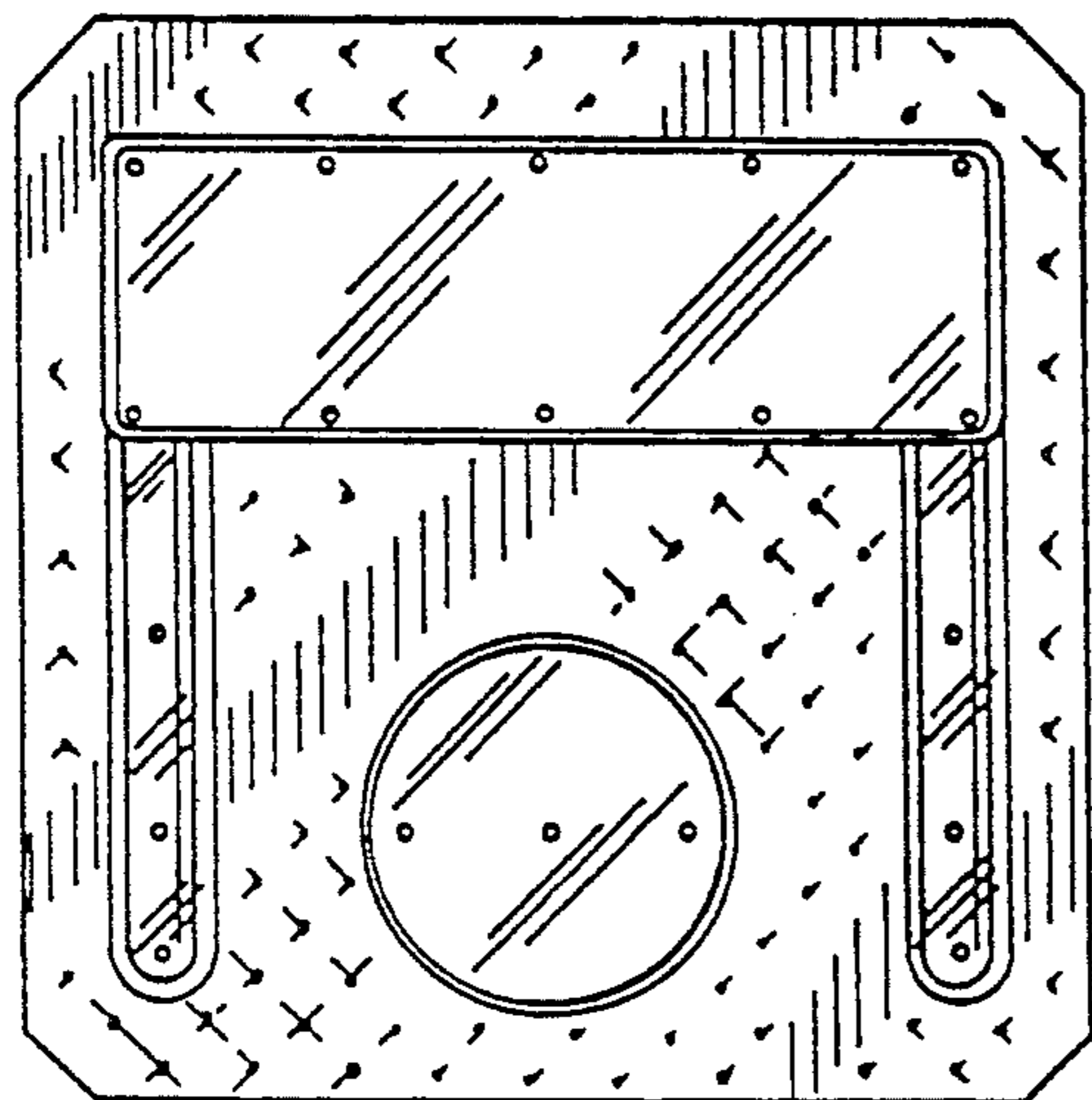


FIG. 2

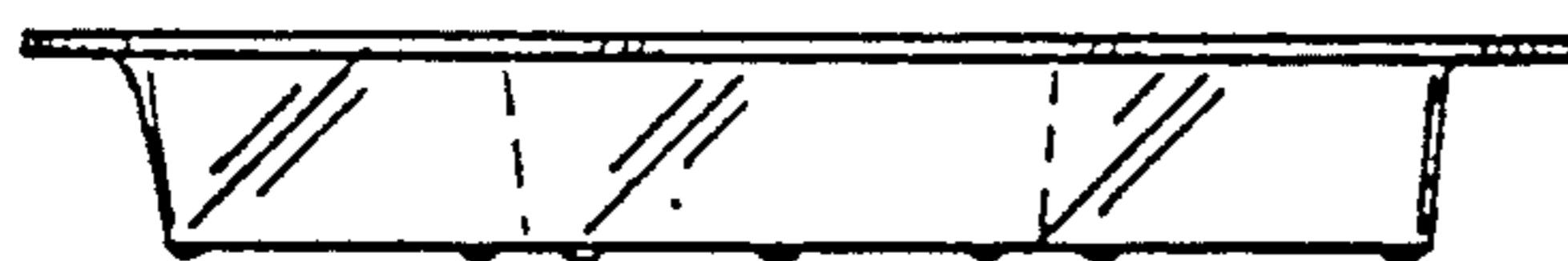
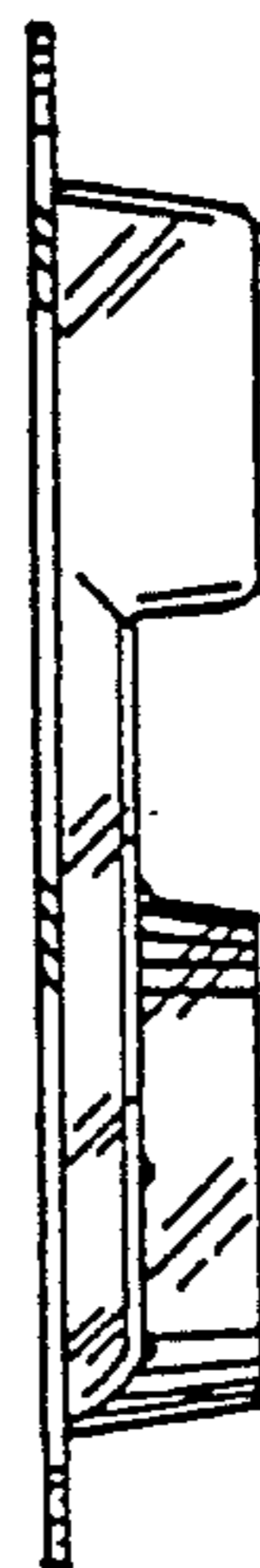
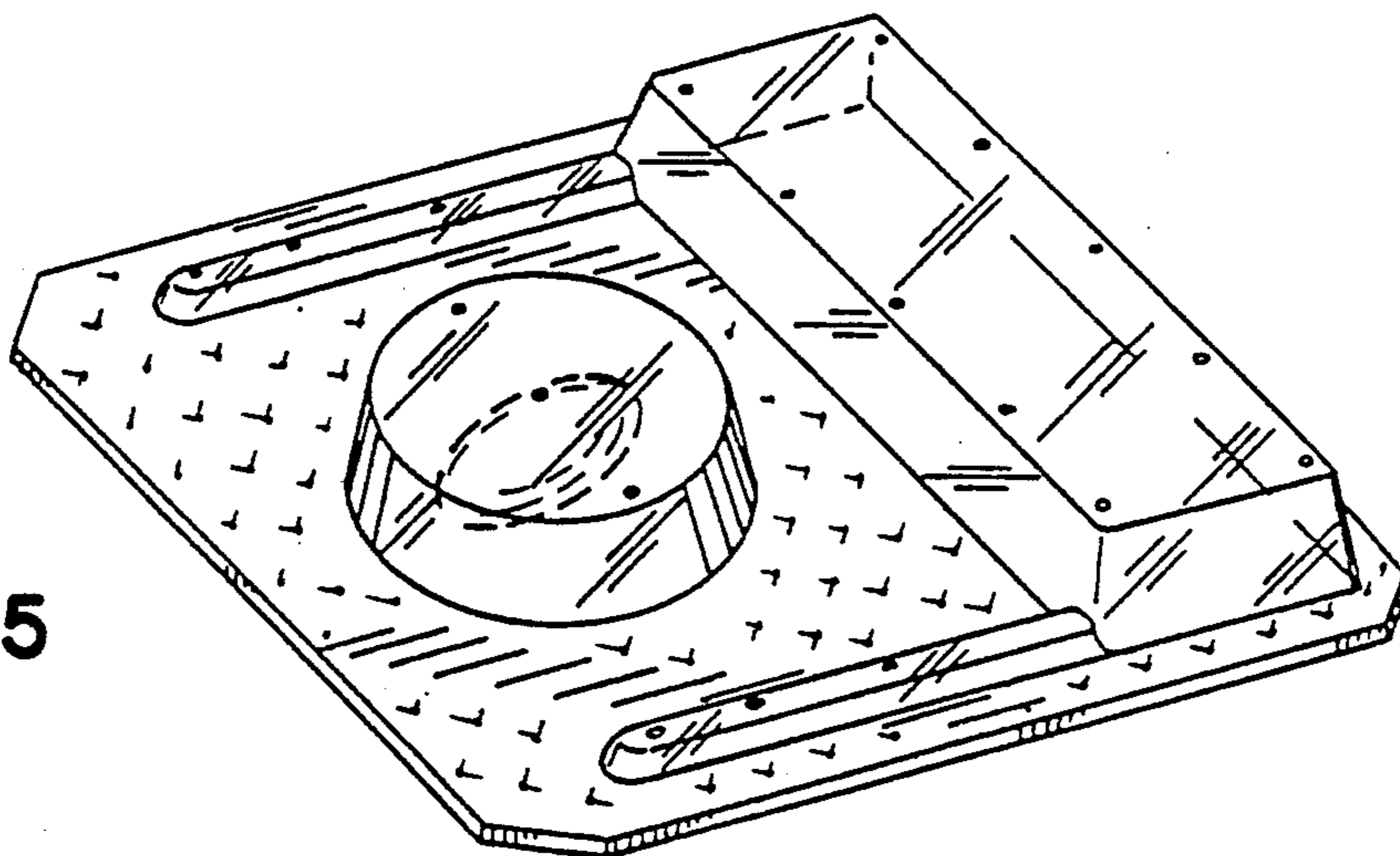


FIG. 3



FIG. 4

FIG. 5



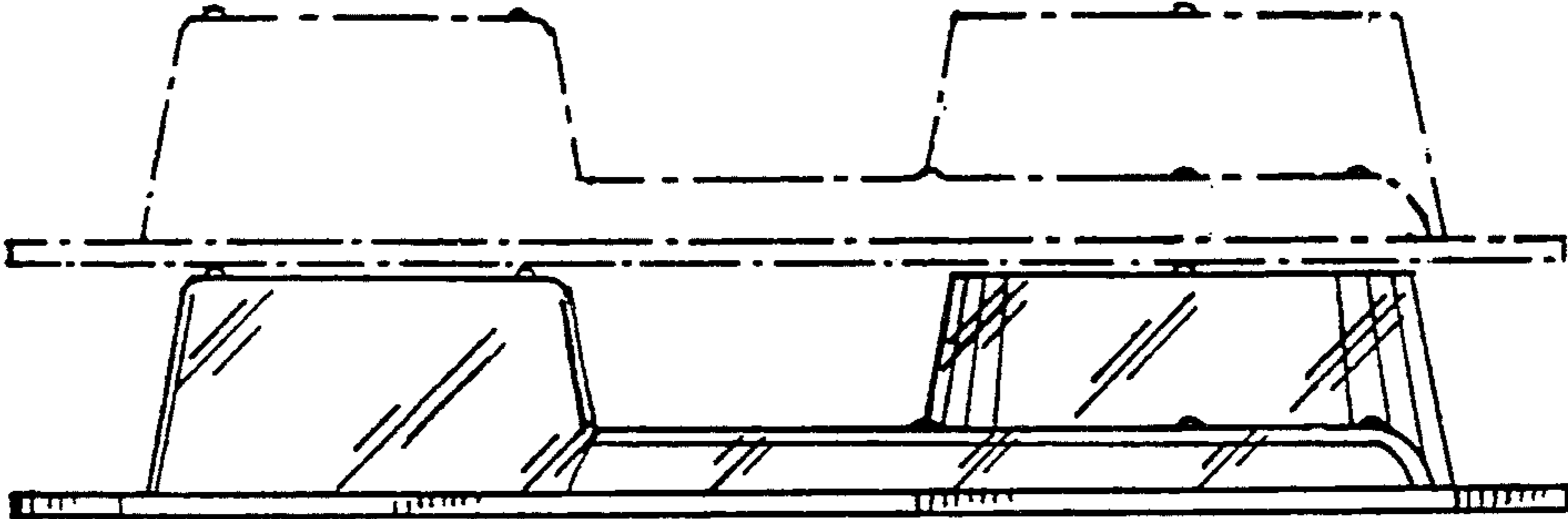


FIG. 6

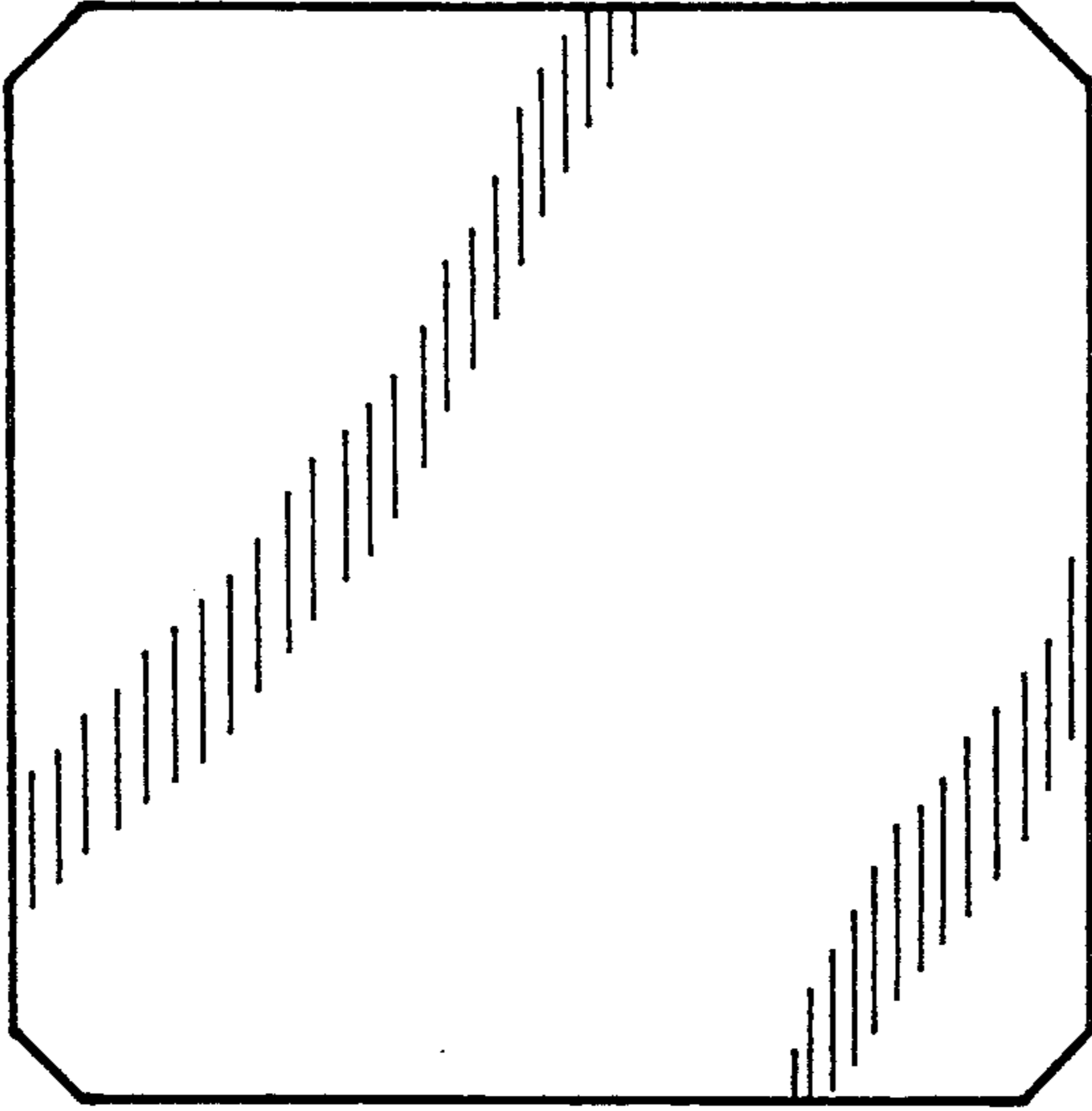


FIG. 7