



US00D329012S

United States Patent [19] Stolz

[11] Patent Number: **Des. 329,012**

[45] Date of Patent: **** Sep. 1, 1992**

[54] CURTAIN ROD OR SIMILAR ARTICLE

3,572,787 3/1971 Timmerman 403/205

[76] Inventor: Shirley A. Stolz, 8105 W. Lake Rd.,
Fairview, Pa. 16415

[**] Term: 14 Years

[21] Appl. No.: 550,361

[22] Filed: Jul. 10, 1990

[52] U.S. Cl. D8/376

[58] Field of Search D8/380, 376, 372;
248/261; 211/86

OTHER PUBLICATIONS

Field-Safe, TSM; Tubular Specialties Bars; Items 801,
802: The Horizontal Bar is One Moveable in the Other,
©1982.

Primary Examiner—Horace B. Fay, Jr.
Attorney, Agent, or Firm—Terry M. Gernstein

[57] CLAIM

The ornamental design for a curtain rod or similar arti-
cle, as shown and described.

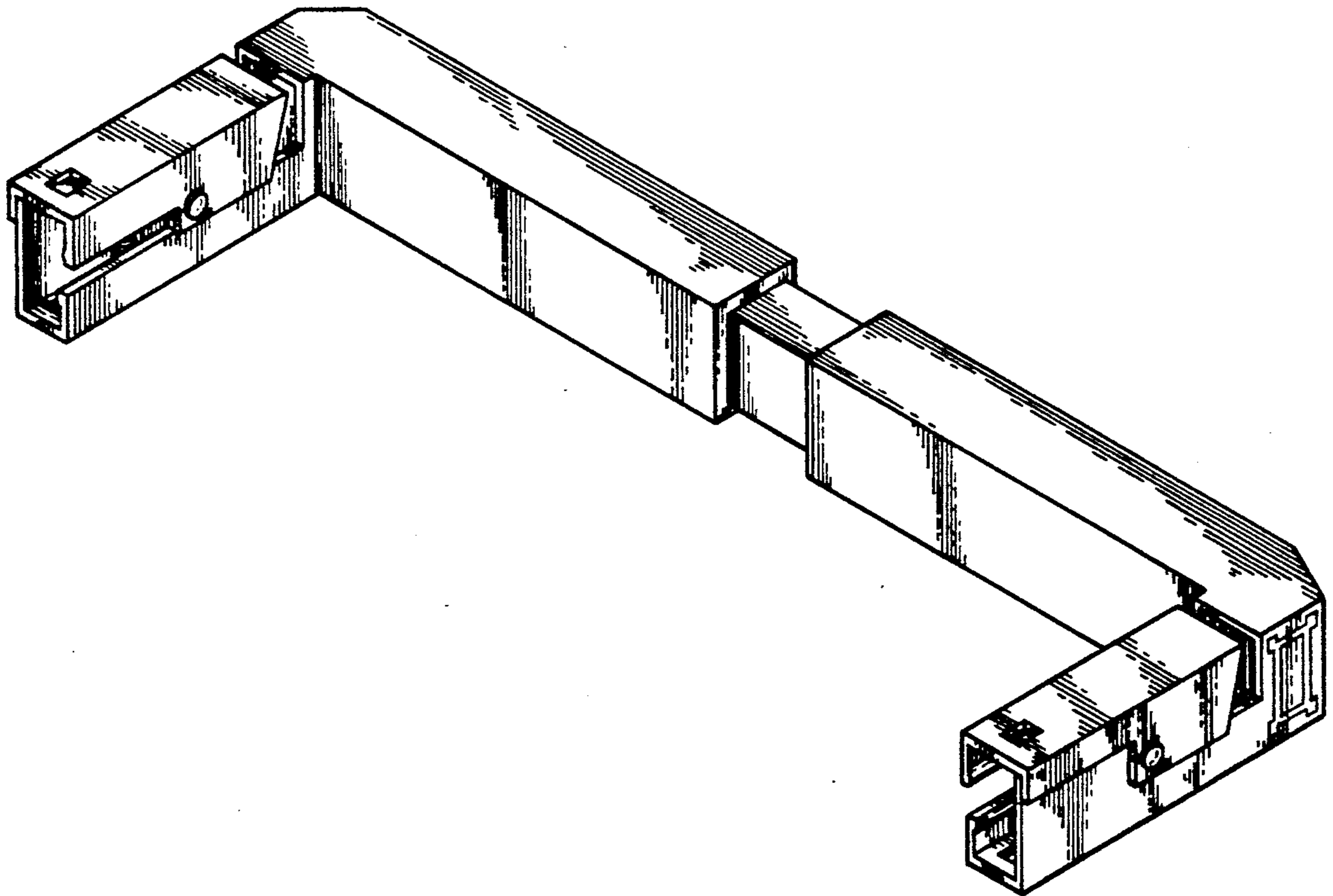
[56] References Cited

U.S. PATENT DOCUMENTS

D. 49,903	11/1916	Lathrup	D8/376
D. 68,971	12/1925	Kirsch	D8/376
D. 68,972	12/1925	Kirsch	D8/376
D. 297,411	3/1988	Angel	D8/380
D. 298,103	10/1988	Rose	D8/376
2,546,189	3/1951	Harward	403/205
3,307,710	3/1967	Negri	D8/376

DESCRIPTION

FIG. 1 is a perspective view of a curtain rod or similar
article;
FIGS. 2 and 3 are respectively front rear elevational
views thereof;
FIG. 4 is an end elevational view, the opposite end
being a mirror image thereof; and,
FIGS. 5 and 6 are respectively top and bottom plan
views thereof.



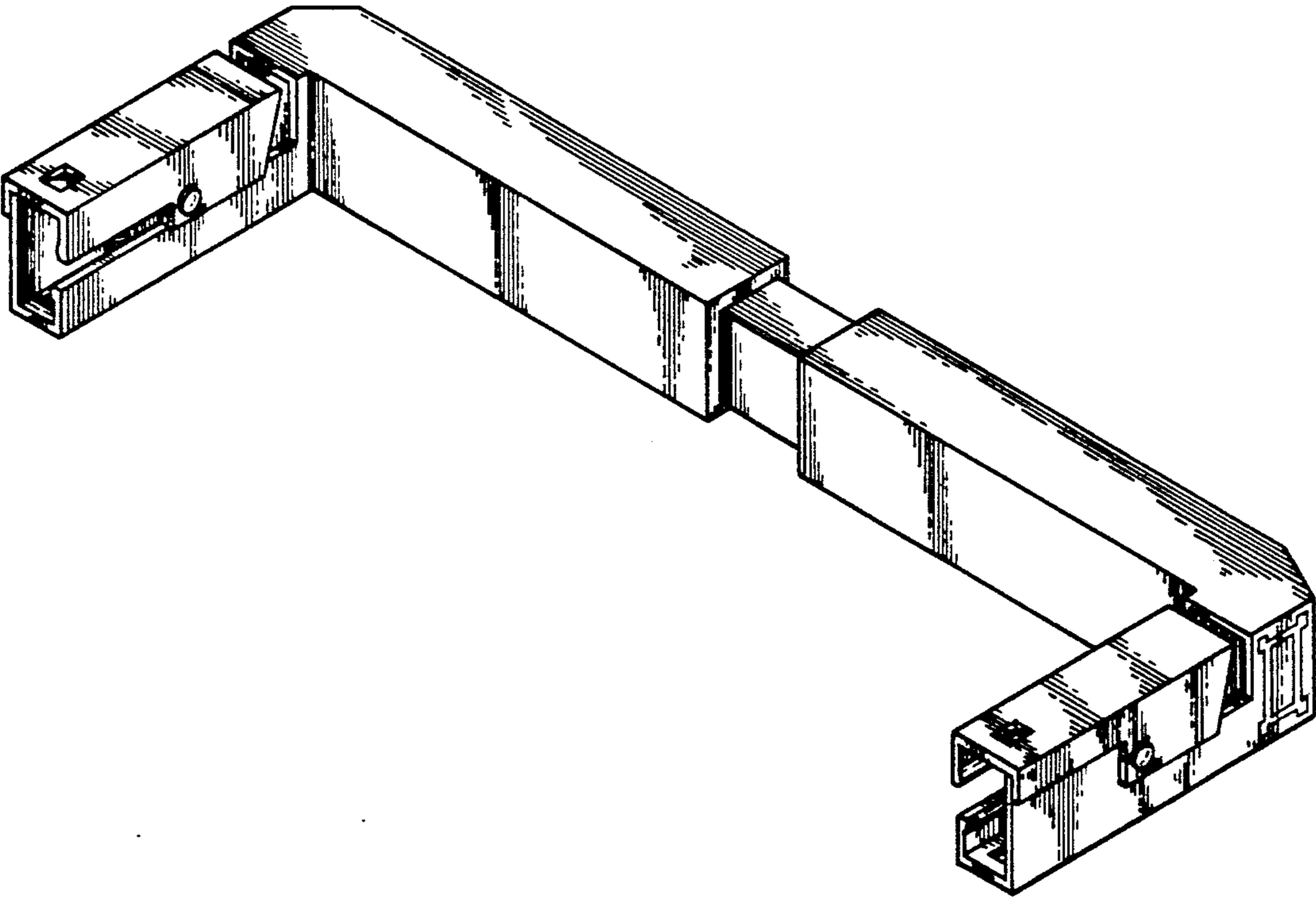


FIG. 1

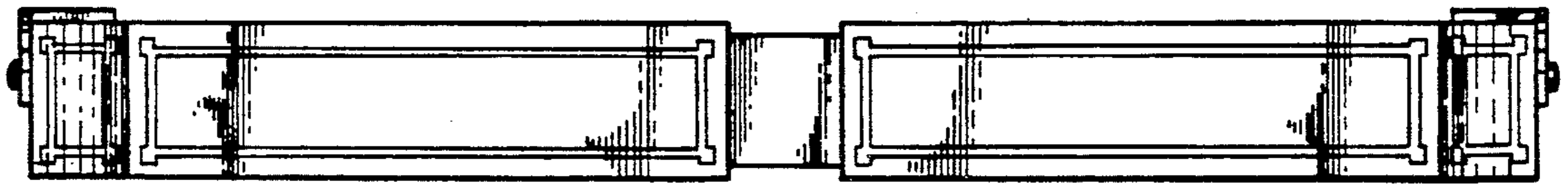


FIG. 2

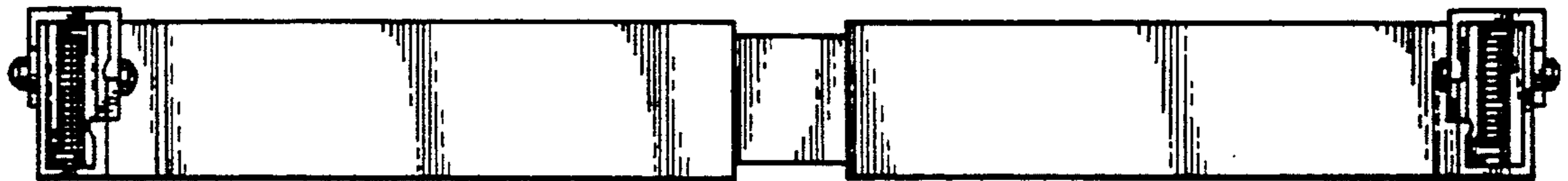


FIG. 3

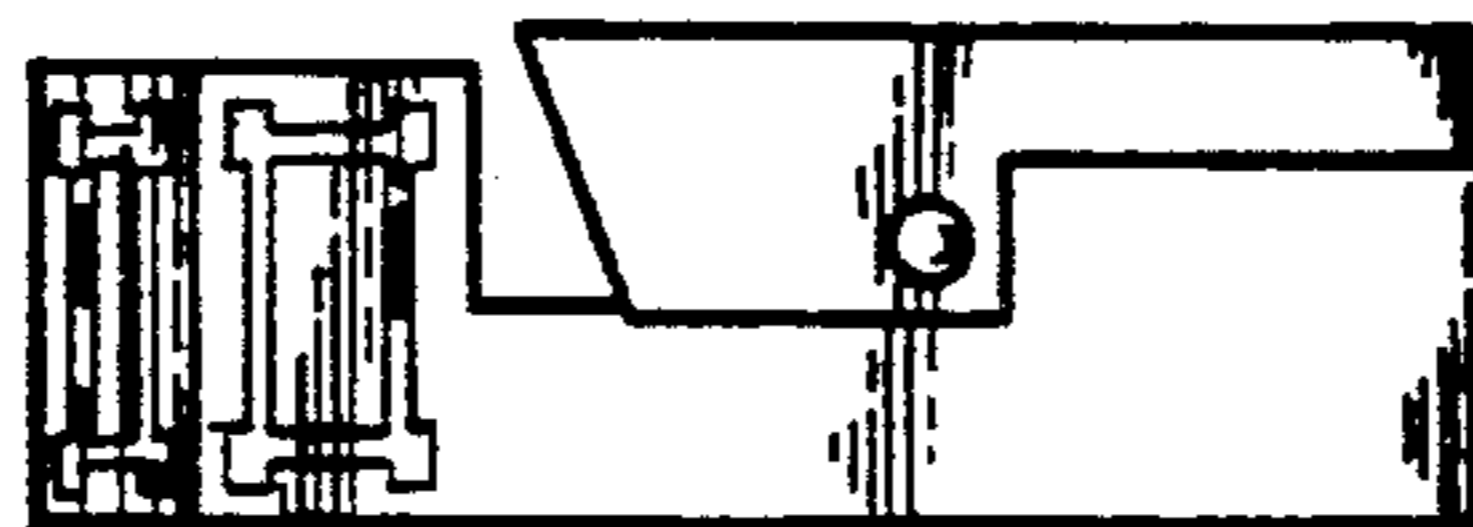


FIG. 4

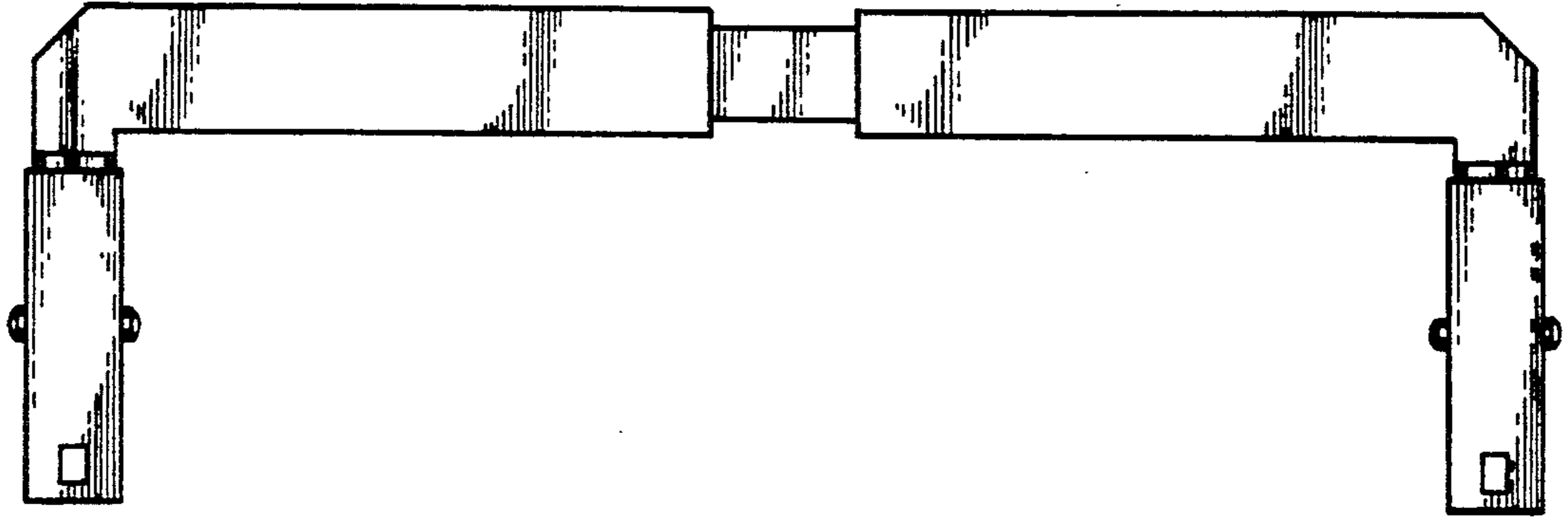


FIG. 5

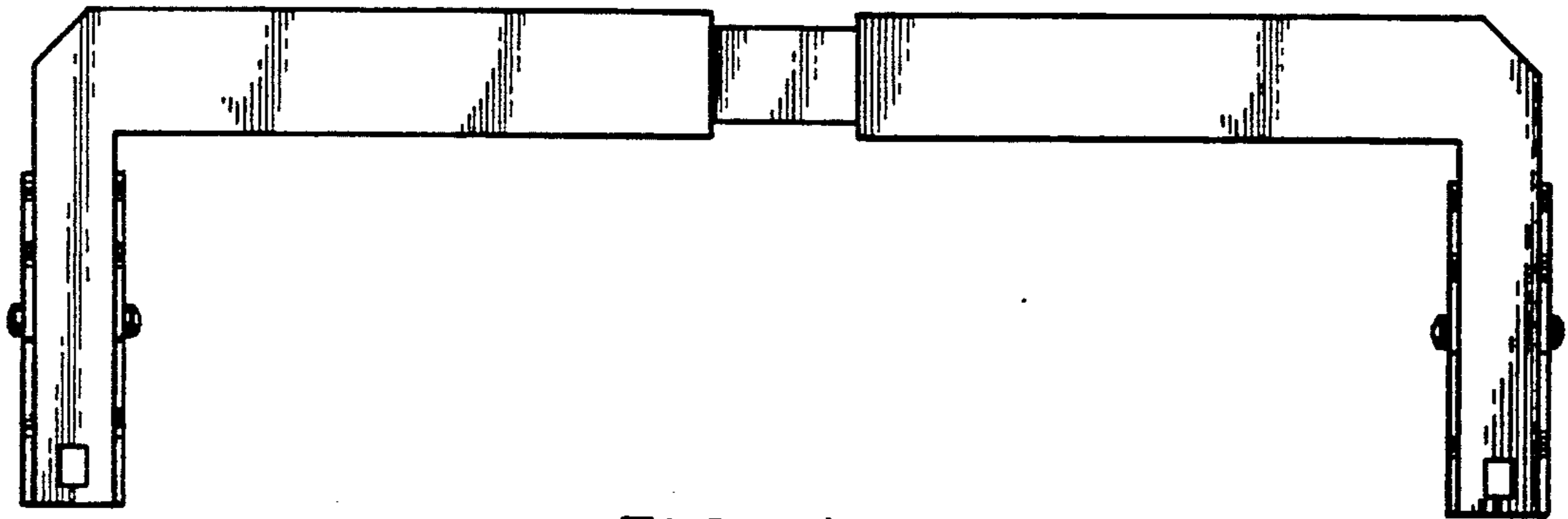


FIG. 6