



US00D329011S

United States Patent [19] Block

[11] Patent Number: **Des. 329,011**

[45] Date of Patent: **** Sep. 1, 1992**

[54] **CASTER WHEEL**

[75] Inventor: **Wolfgang Block**, Schwelm, Fed. Rep. of Germany

[73] Assignee: **Tente-Rollen GmbH & Co.**, Wermelskirchen, Fed. Rep. of Germany

[**] Term: **14 Years**

[21] Appl. No.: **491,469**

[22] Filed: **Mar. 8, 1990**

D. 296,300 6/1988 Doyle et al. D8/375
 D. 308,161 5/1990 Daniels D8/375
 D. 310,622 9/1990 Screen D8/375
 D. 313,342 1/1991 Screen D8/375
 4,773,122 9/1988 Wilcox 16/18 R

OTHER PUBLICATIONS

International Designs Bulletin; Aug. 1982; pp. 1342-1343.

Primary Examiner—Horace B. Fay, Jr.
Attorney, Agent, or Firm—Martin A. Farber

[30] **Foreign Application Priority Data**
 Sep. 9, 1989 [DE] Fed. Rep. of Germany 8906360

[52] U.S. Cl. **D8/375**

[58] Field of Search D8/375; D16/18 R

[57] CLAIM

The ornamental design for a caster wheel, as shown.

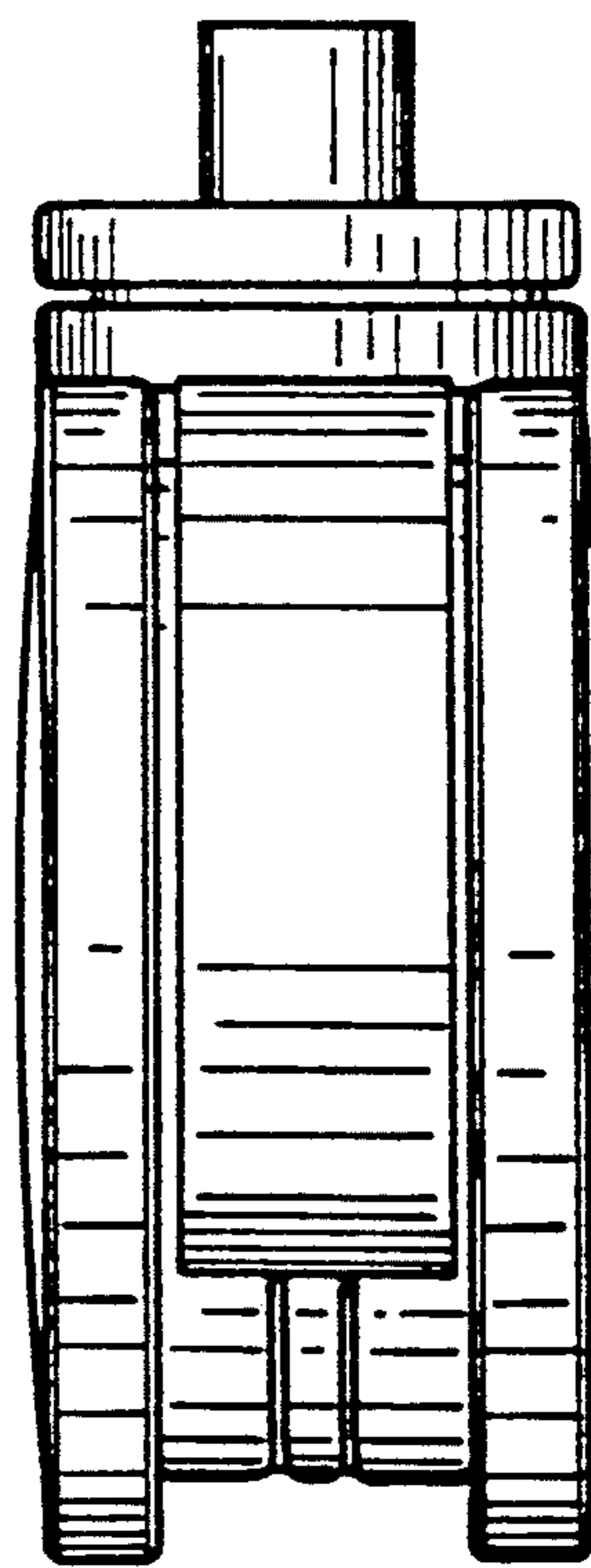
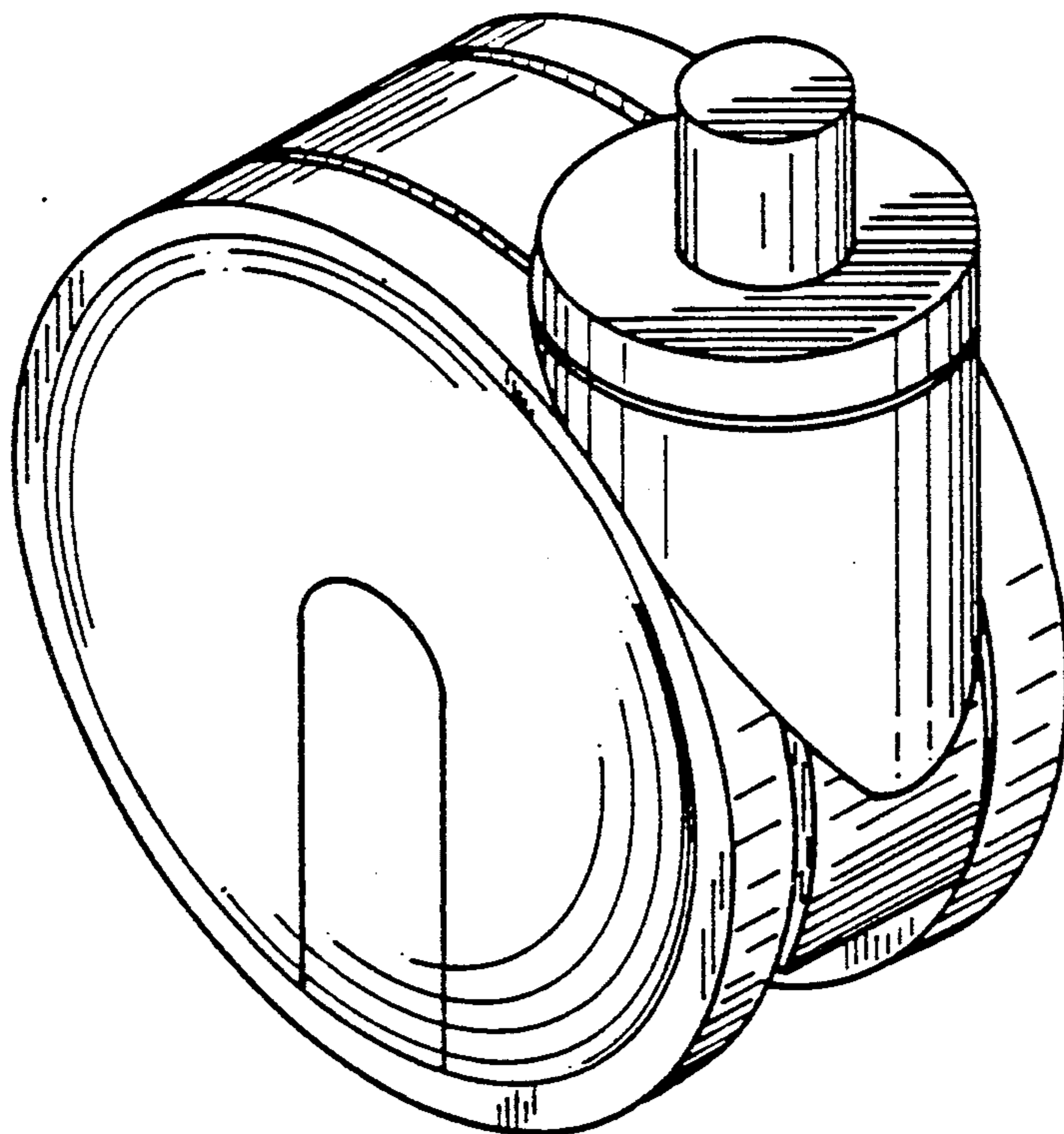
DESCRIPTION

FIG. 1 is a top, front and right side perspective view of a caster wheel showing my new design;
 FIG. 2 is a left side elevational view thereof;
 FIG. 3 is a right side elevational view thereof;
 FIG. 4 is a top plan view thereof;
 FIG. 5 is a bottom plan view thereof;
 FIG. 6 is a front elevational view thereof; and,
 FIG. 7 is a rear elevational view thereof.

[56] **References Cited**

U.S. PATENT DOCUMENTS

D. 220,938 6/1971 Harlong D8/375
 D. 240,399 7/1976 Crescenzi et al. D8/375
 D. 288,286 2/1987 Screen D8/375
 D. 288,287 2/1987 Screen D8/375



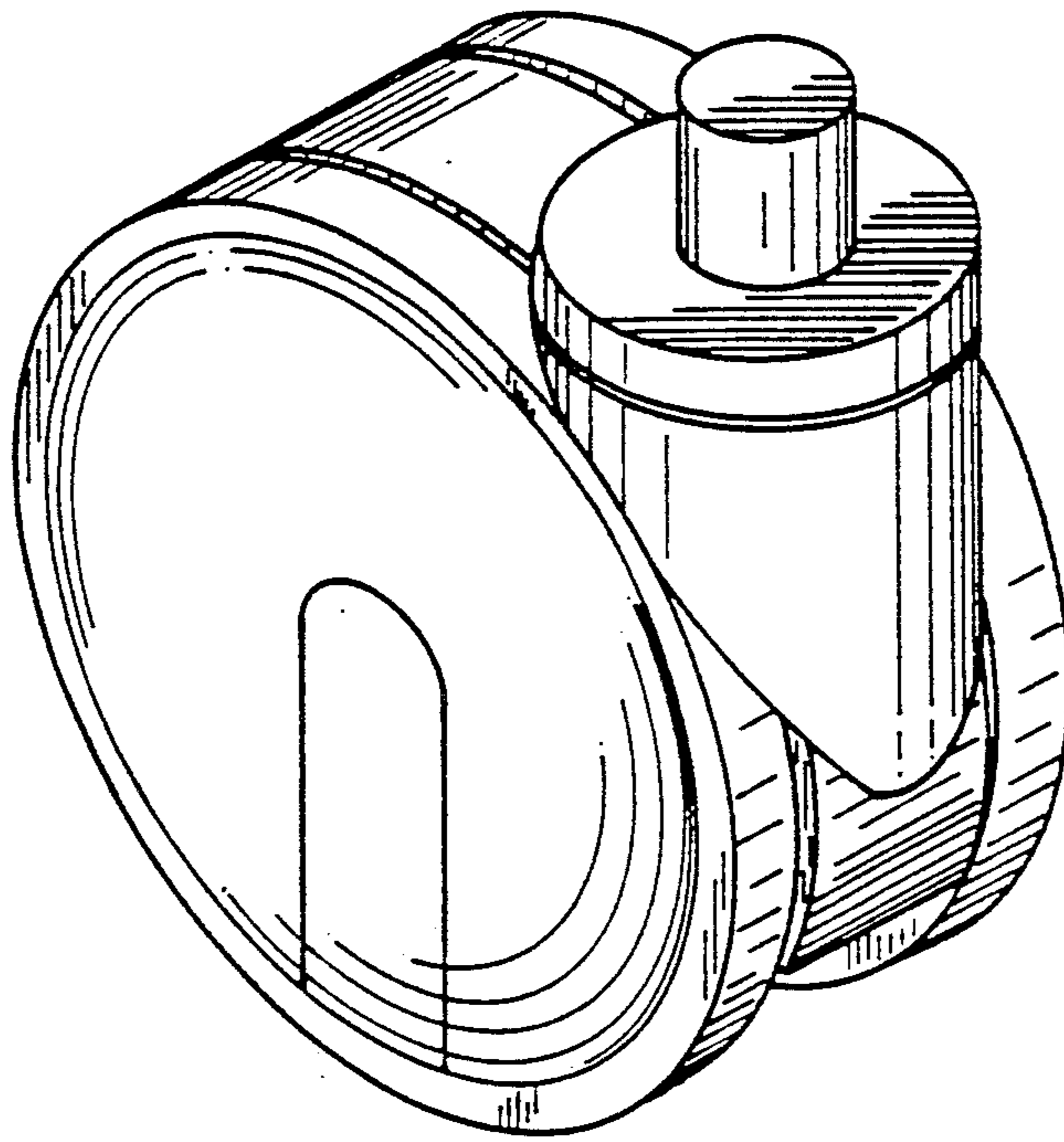


FIG.1

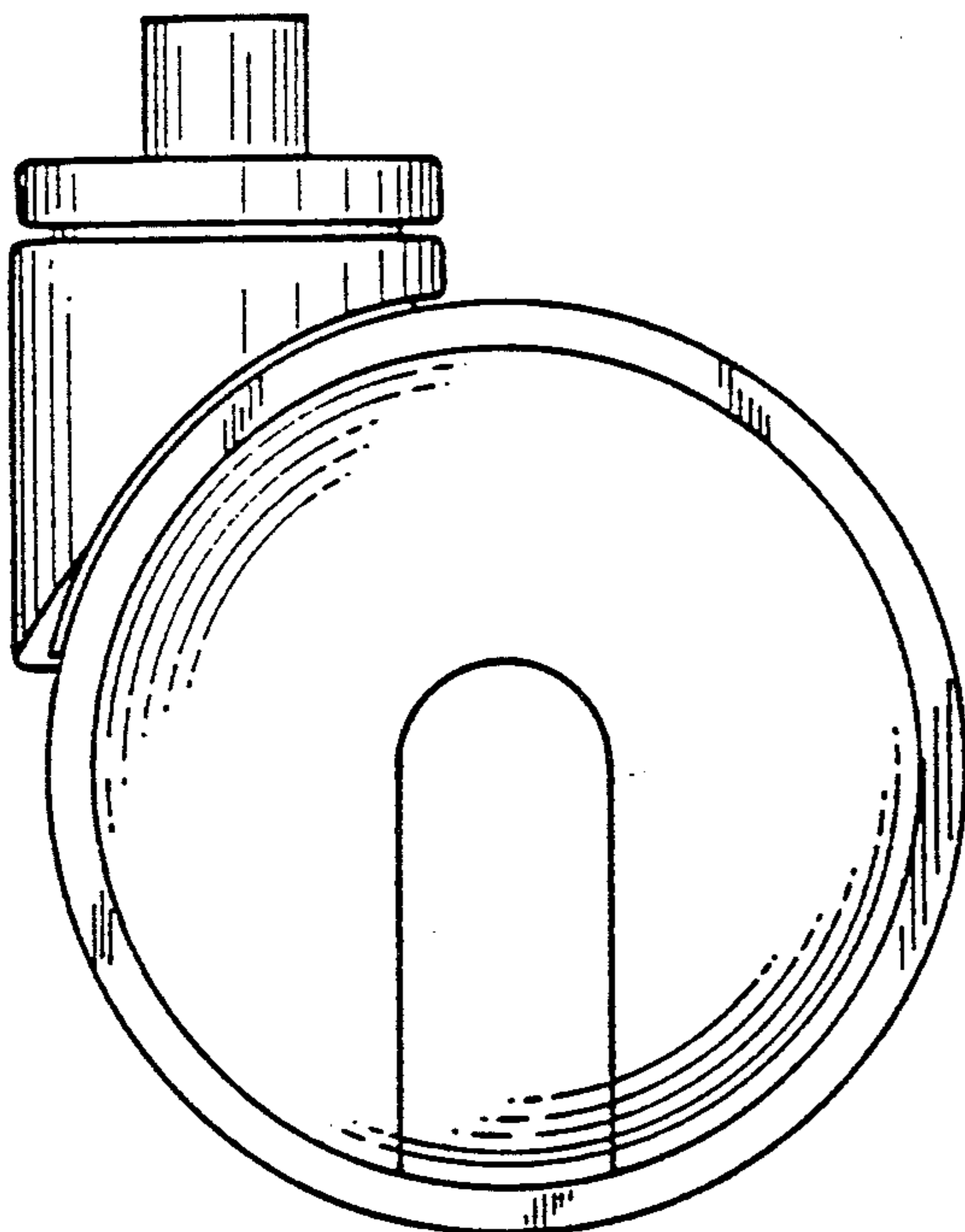


FIG.2

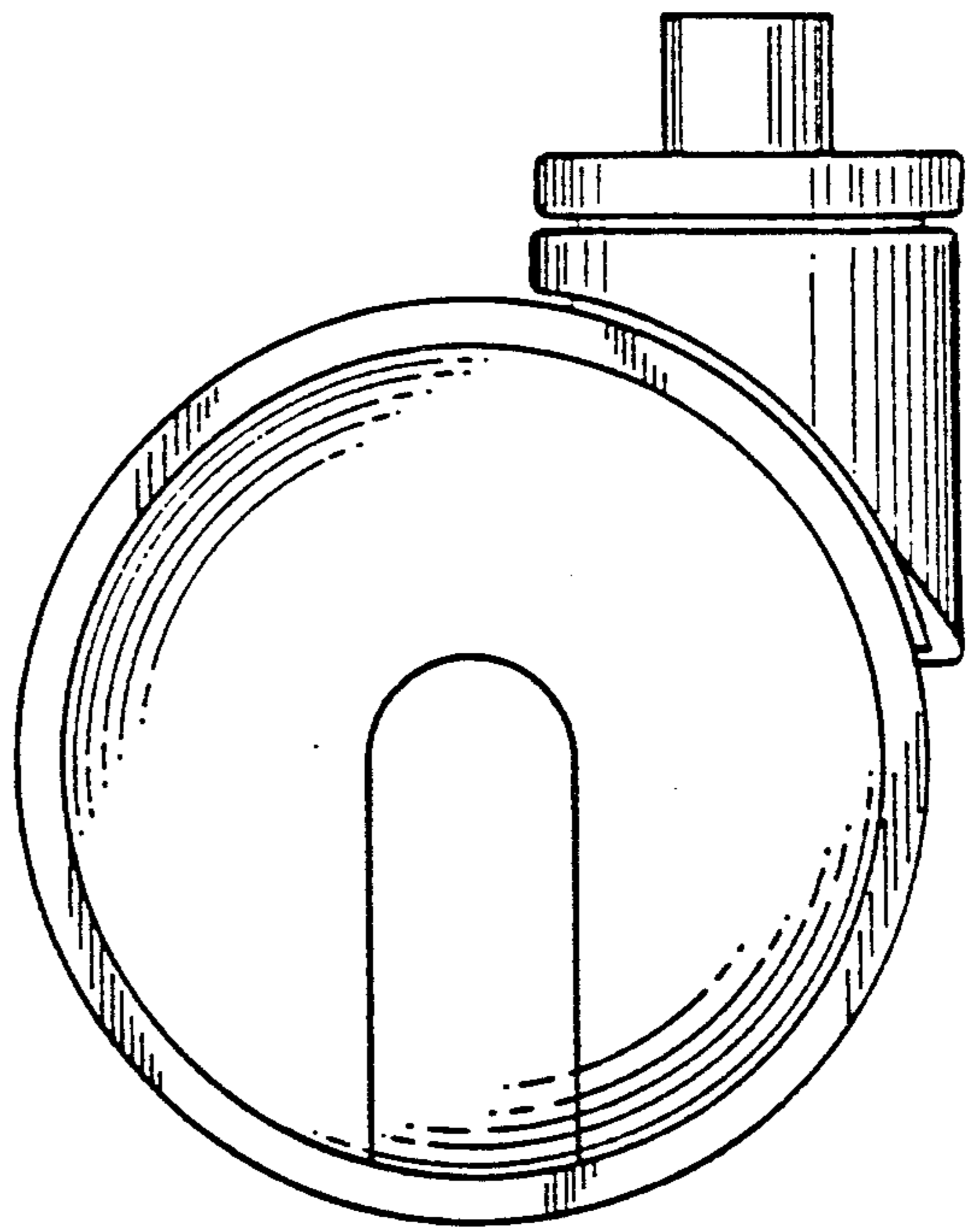


FIG.3

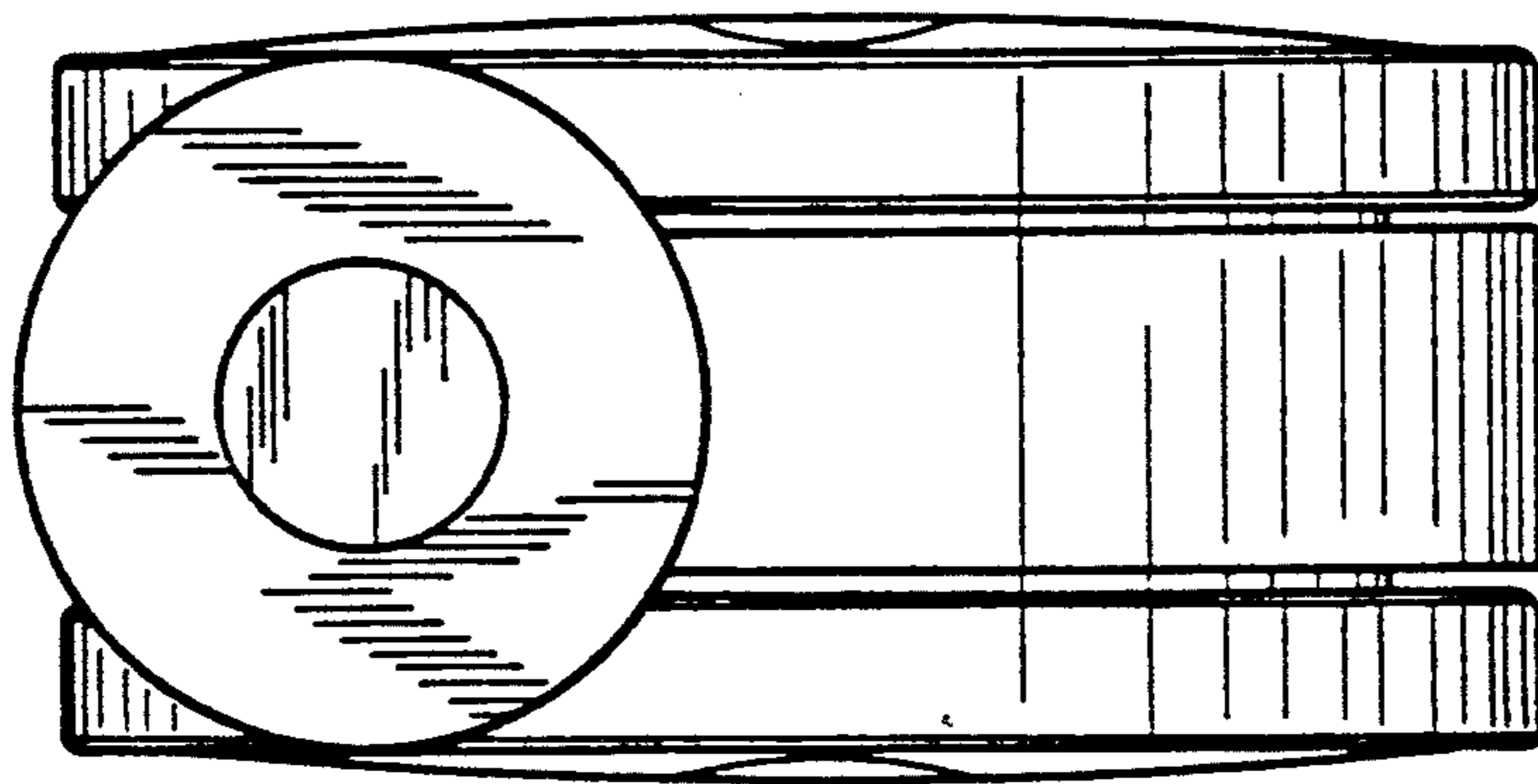


FIG. 4

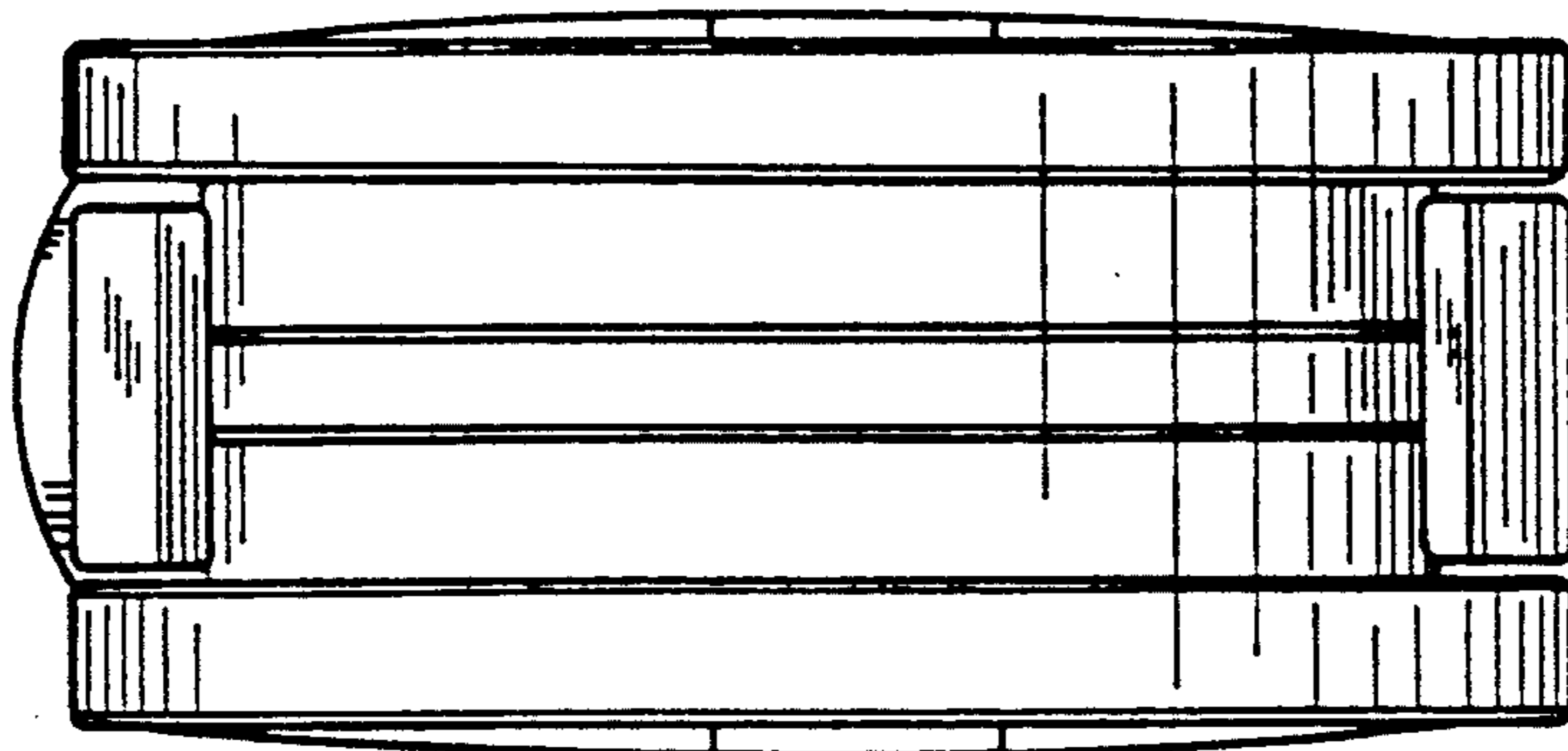


FIG. 5

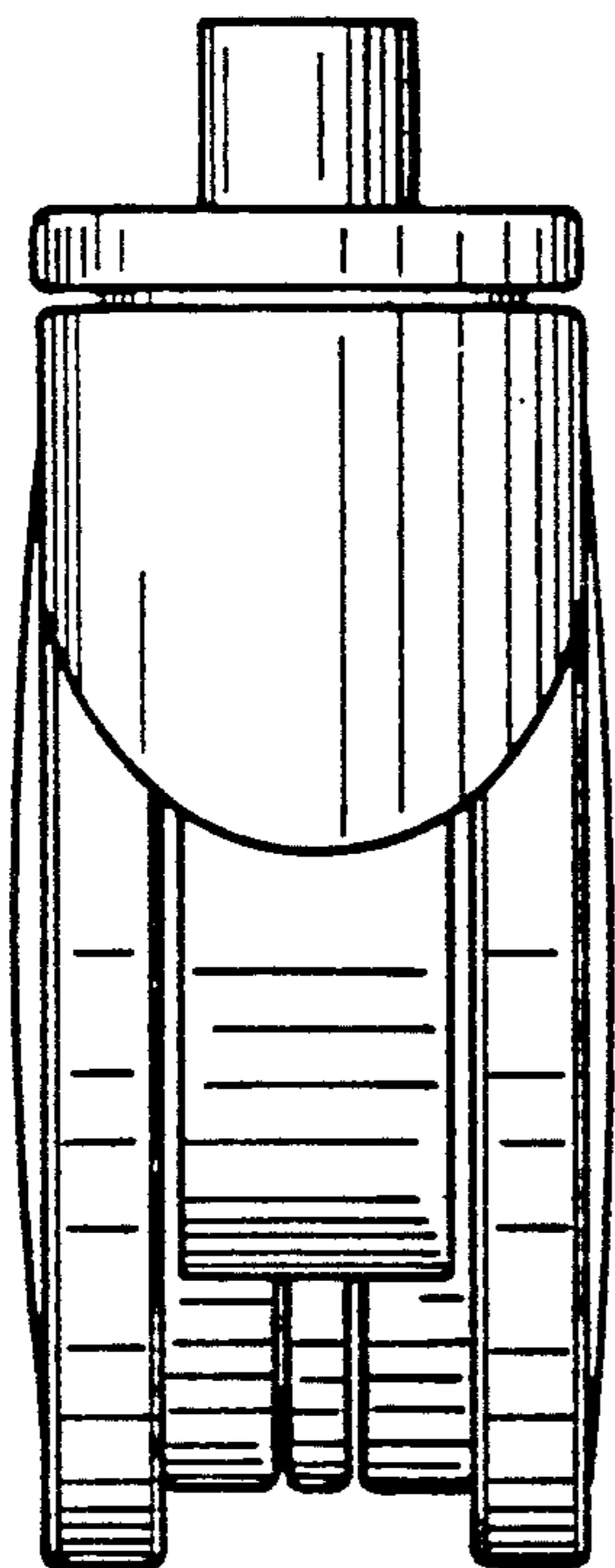


FIG. 6

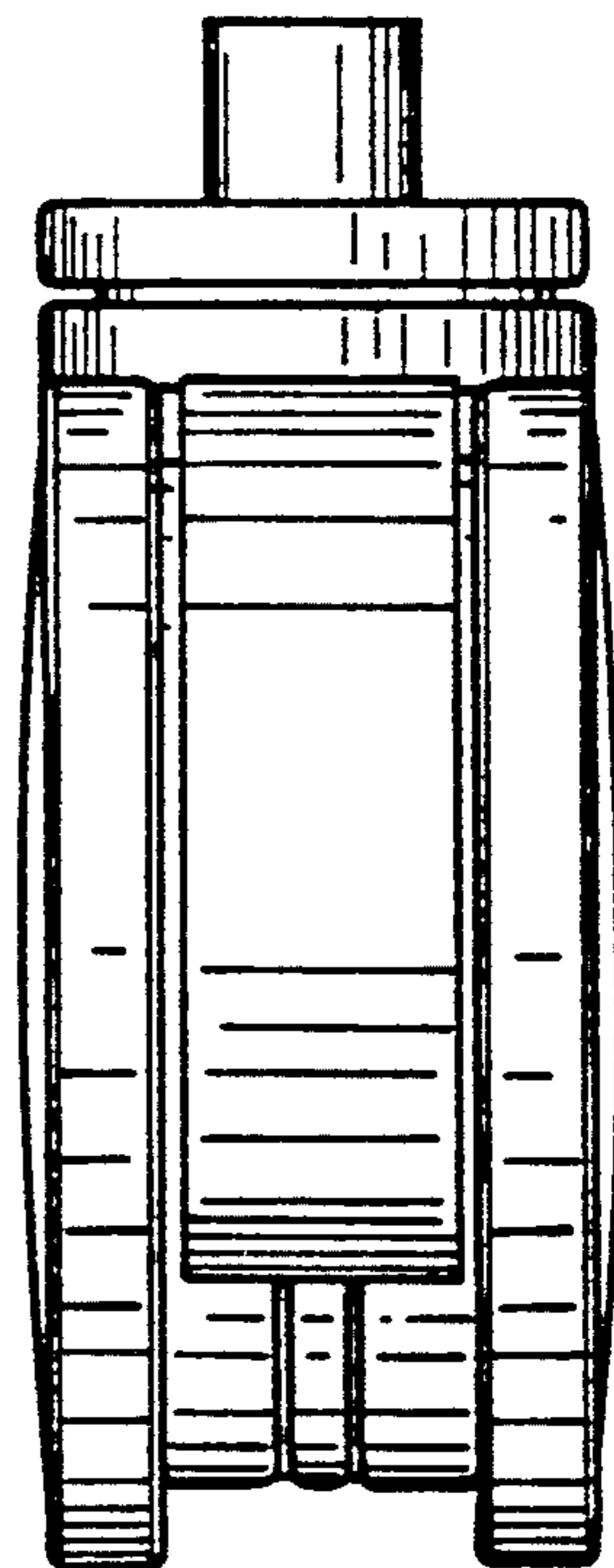


FIG. 7