



US00D329007S

United States Patent [19]

[11] Patent Number: **Des. 329,007**

Yoder

[45] Date of Patent: **** Sep. 1, 1992**

[54] **TRUCK CAP MOUNTING CLAMP**

[75] Inventor: **Ronald L. Yoder, Topeka, Ind.**

[73] Assignee: **Universal Consolidated Methods, Inc., Topeka, Ind.**

[**] Term: **14 Years**

[21] Appl. No.: **518,842**

[22] Filed: **May 4, 1990**

[52] U.S. Cl. **D8/73**

[58] Field of Search **D8/72, 73; 248/72, 231.5, 248/231.7, 216.5, 228; 269/239, 238, 249**

[56] **References Cited**

U.S. PATENT DOCUMENTS

D. 271,939	12/1983	Little	D8/73
D. 299,906	2/1989	Greulich	D8/73
3,854,712	12/1974	McGee	D8/72 X
4,019,705	4/1977	Habuda et al.	248/72 X
4,846,431	7/1989	Pflieger	248/228
4,901,963	2/1990	Yoder	248/231.5
5,014,950	5/1991	Ohman et al.	248/231.5

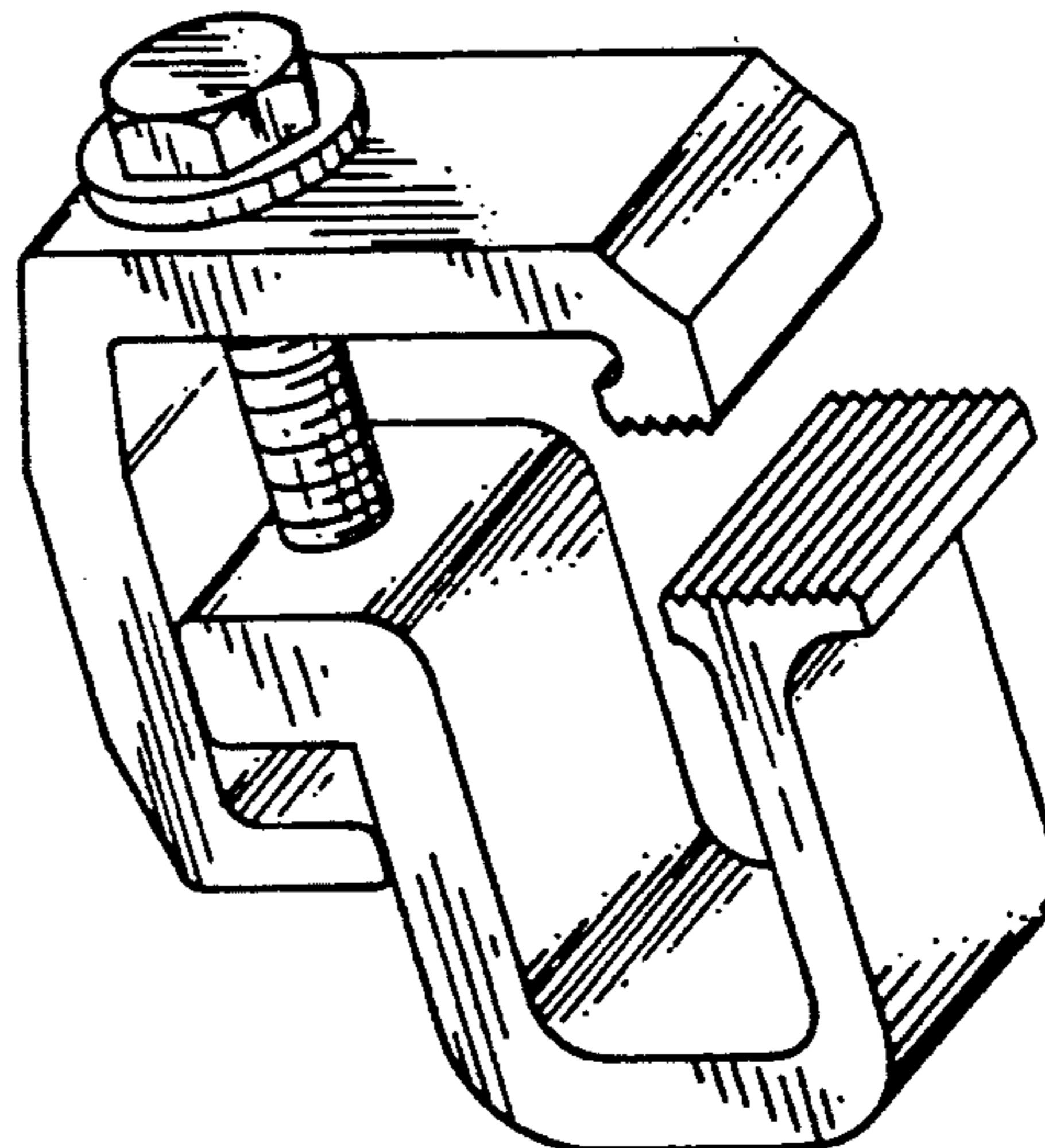
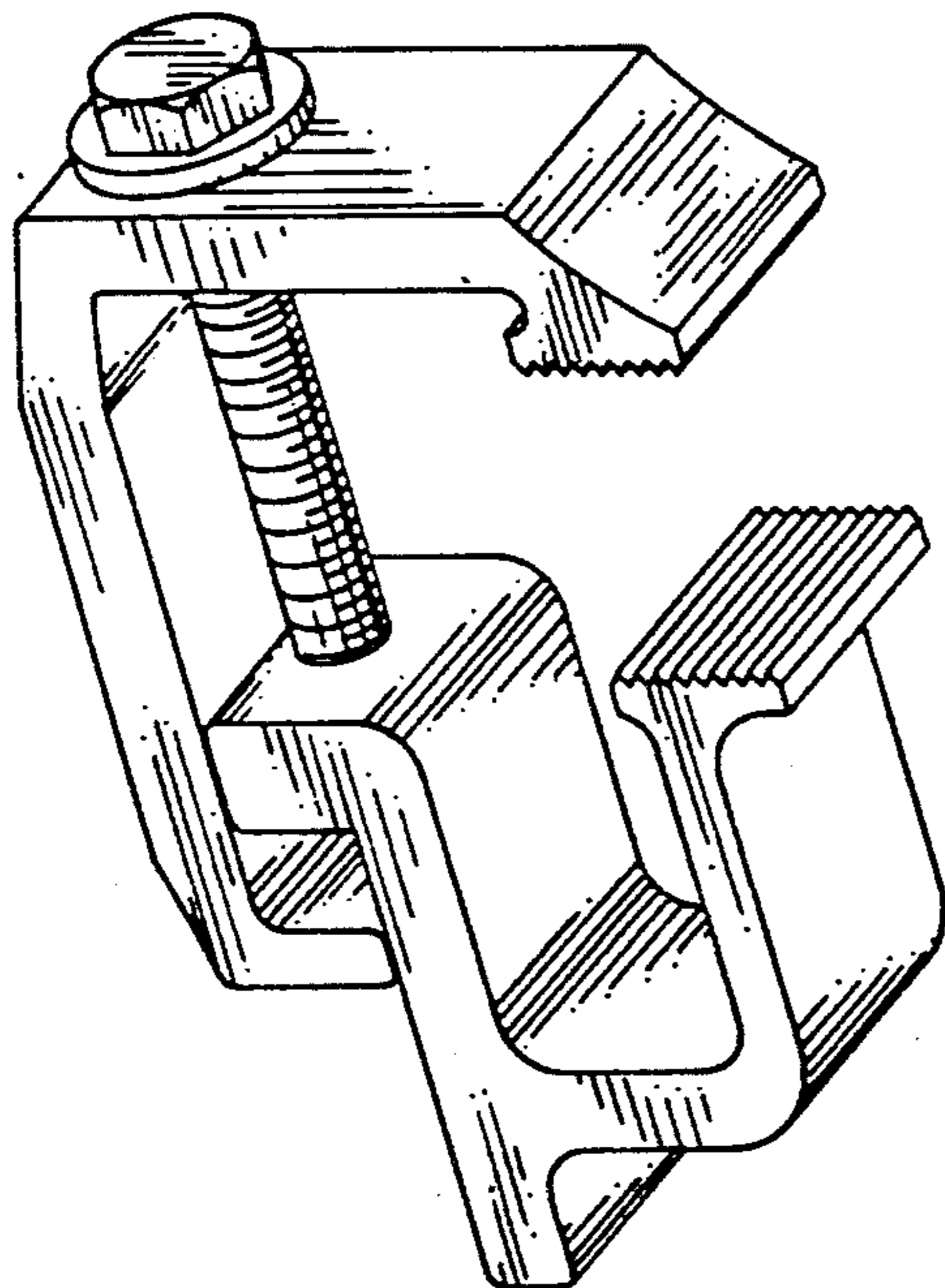
Primary Examiner—Donald P. Walsh
Assistant Examiner—J. H. Musgrove
Attorney, Agent, or Firm—Roger M. Rickert

[57] **CLAIM**

The ornamental design for a truck cap mounting clamp, as shown and described.

DESCRIPTION

FIG. 1 is a top, front and left side perspective view of a truck cap mounting clamp showing my new design; FIG. 2 is a left side elevational view; FIG. 3 is a front elevational view; FIG. 4 is a rear elevational view; FIG. 5 is a bottom plan view; FIG. 6 is a top plan view; FIG. 7 is a top, front and left-side perspective view of a second embodiment of my new design of FIGS. 1-6; FIG. 8 is a left side elevational view of FIG. 7; FIG. 9 is a front elevational view of FIG. 7; FIG. 10 is a rear elevational view of FIG. 7; FIG. 11 is a bottom plan view of FIG. 7; and, FIG. 12 is a top plan view FIG. 7 thereof.



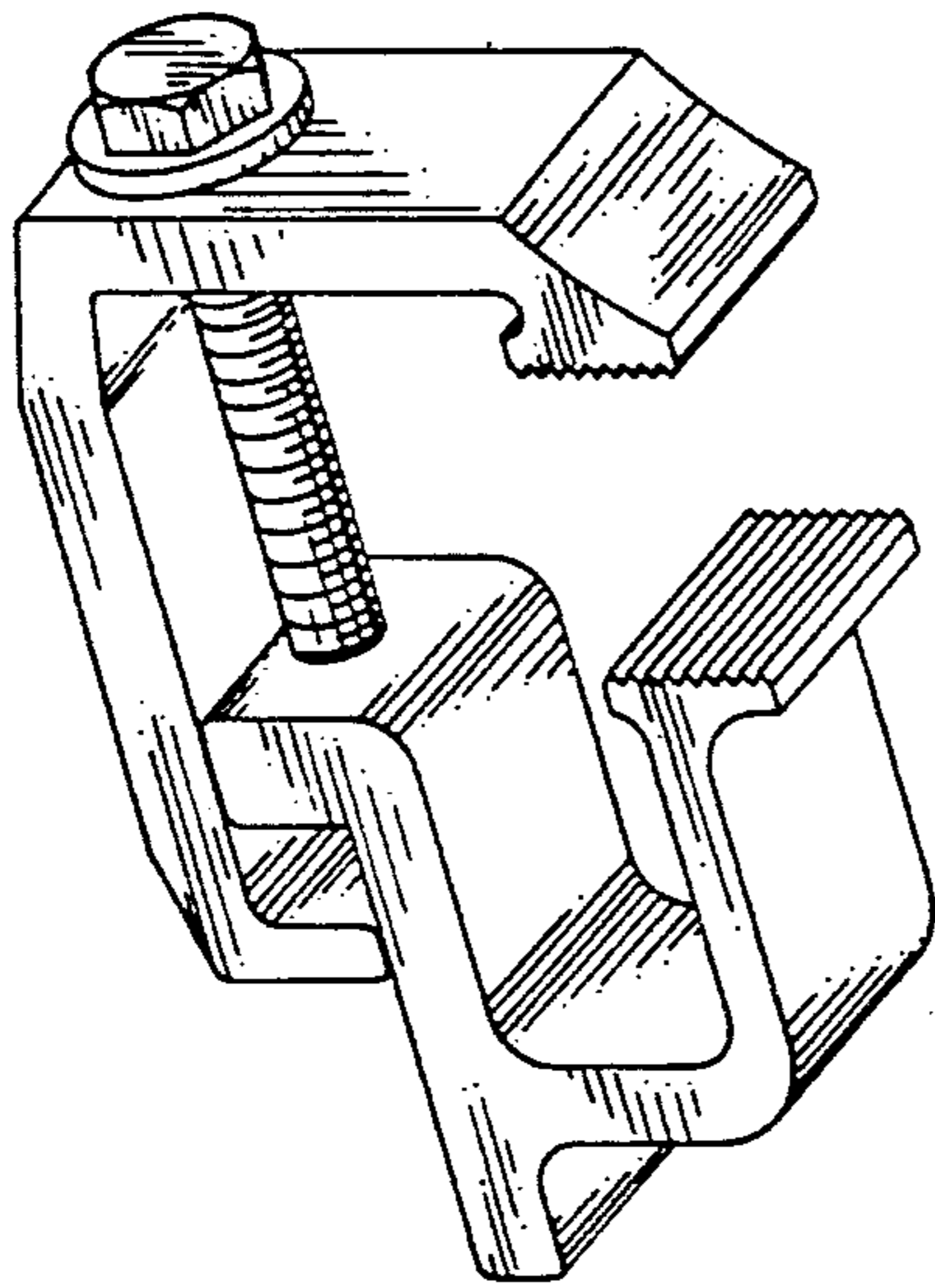


FIG. 1

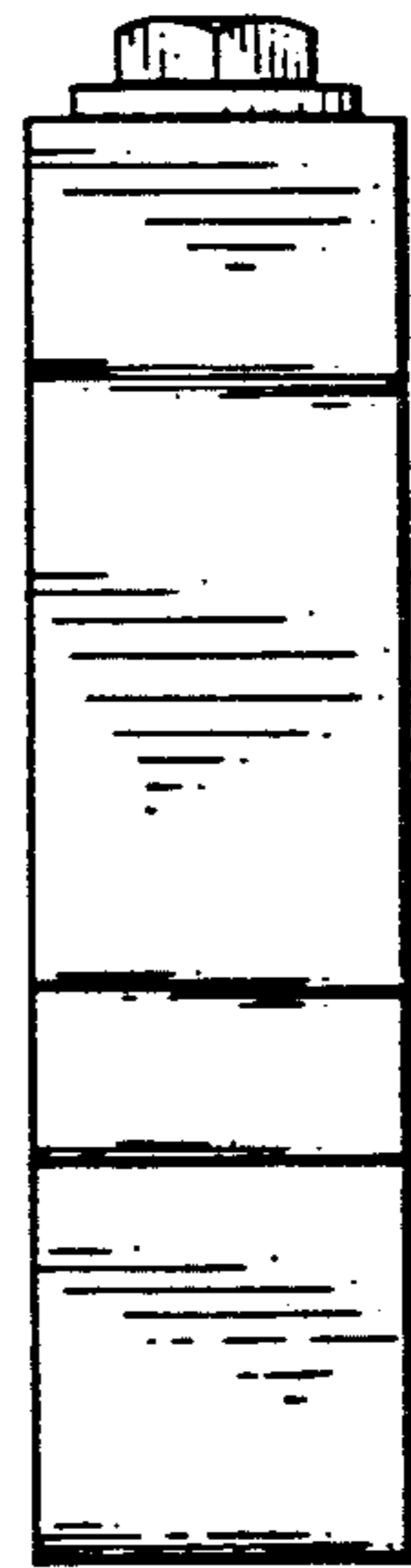


FIG. 4

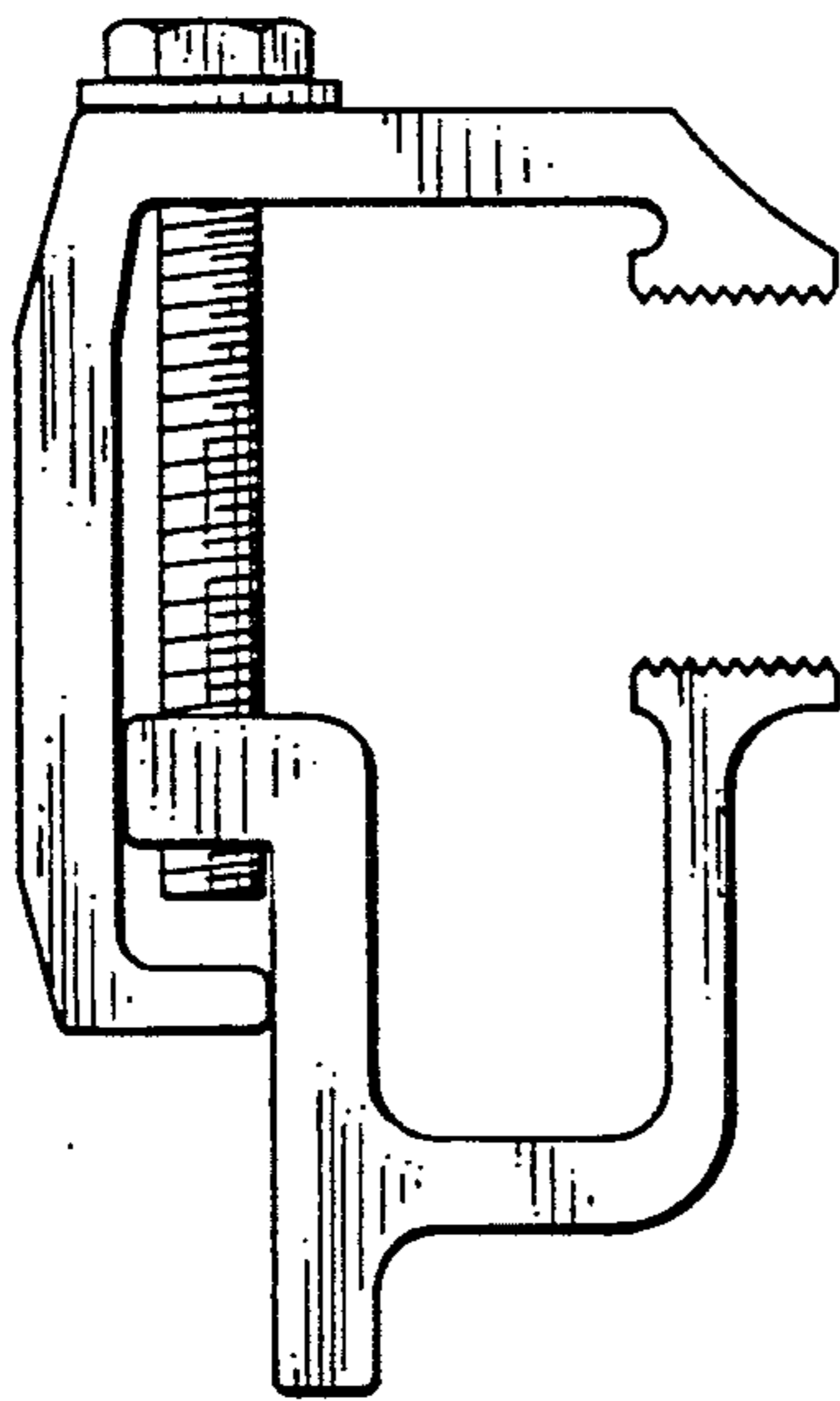


FIG. 2

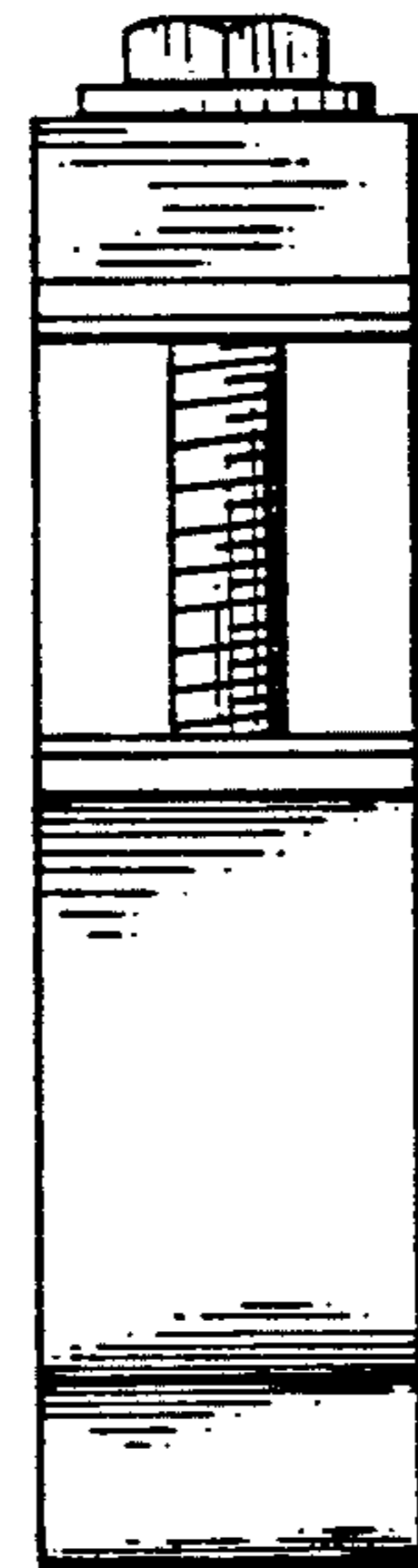


FIG. 3



FIG. 5

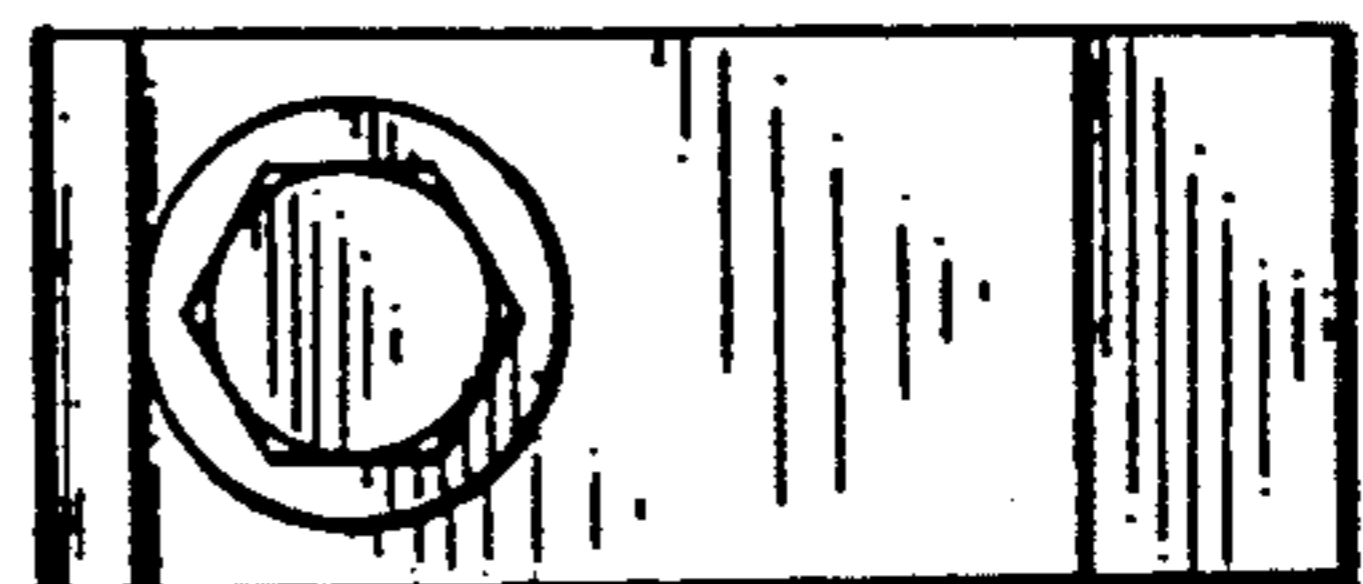


FIG. 6

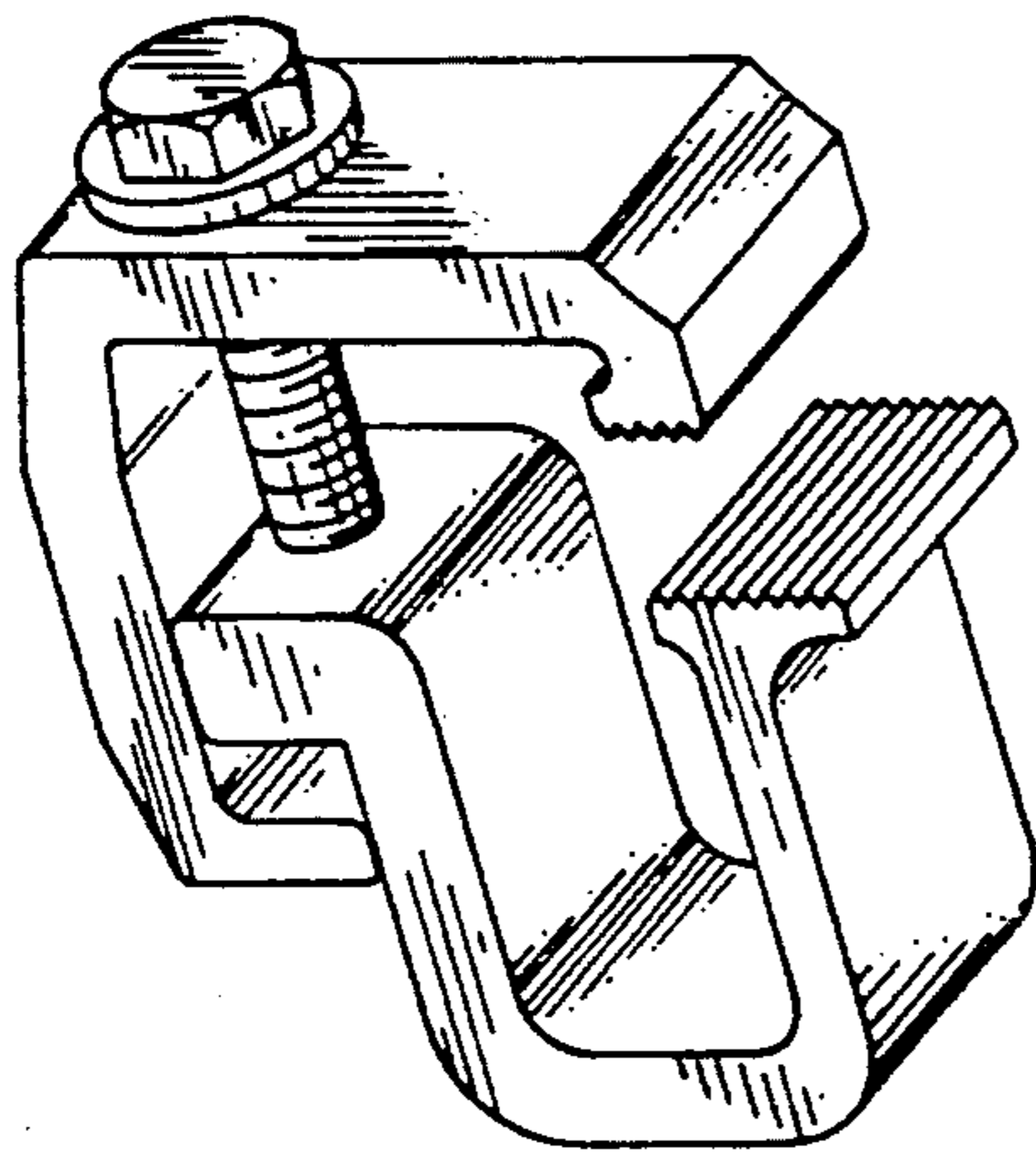


FIG. 7

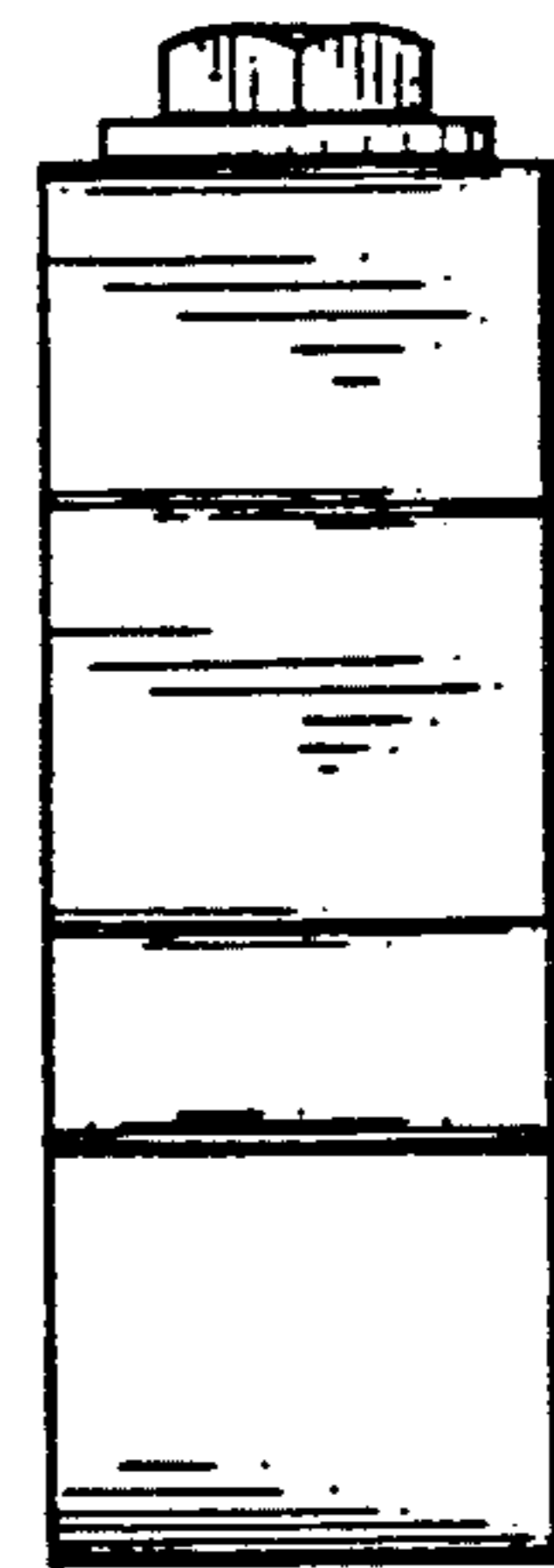


FIG. 10

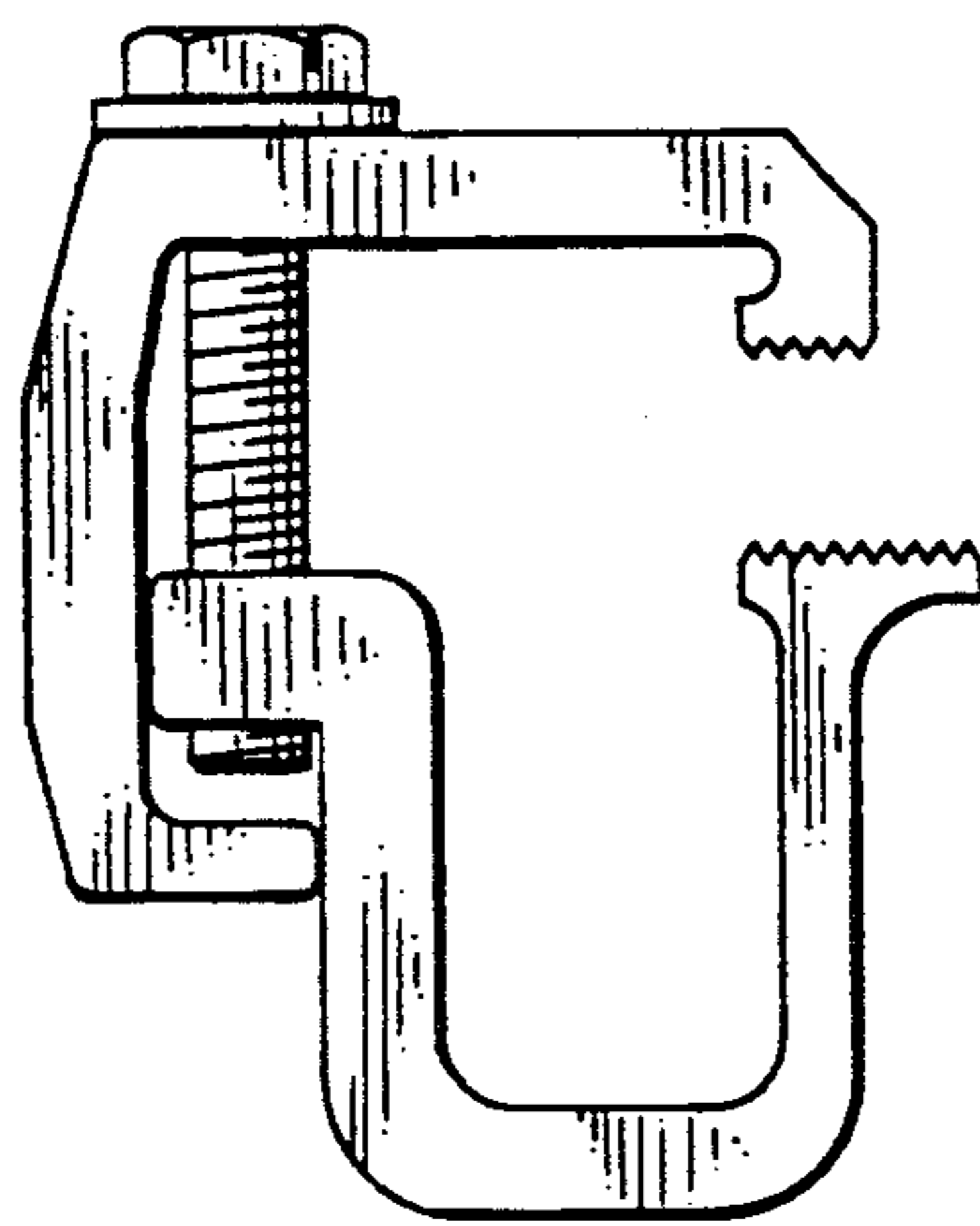


FIG. 8

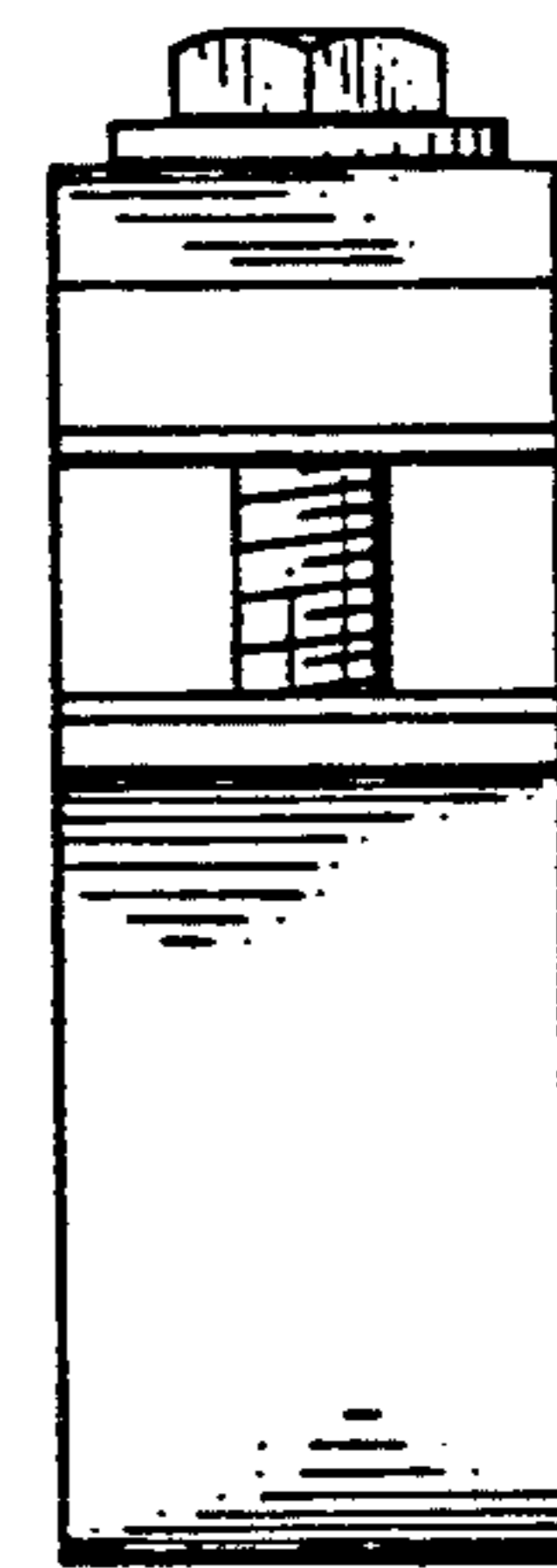


FIG. 9

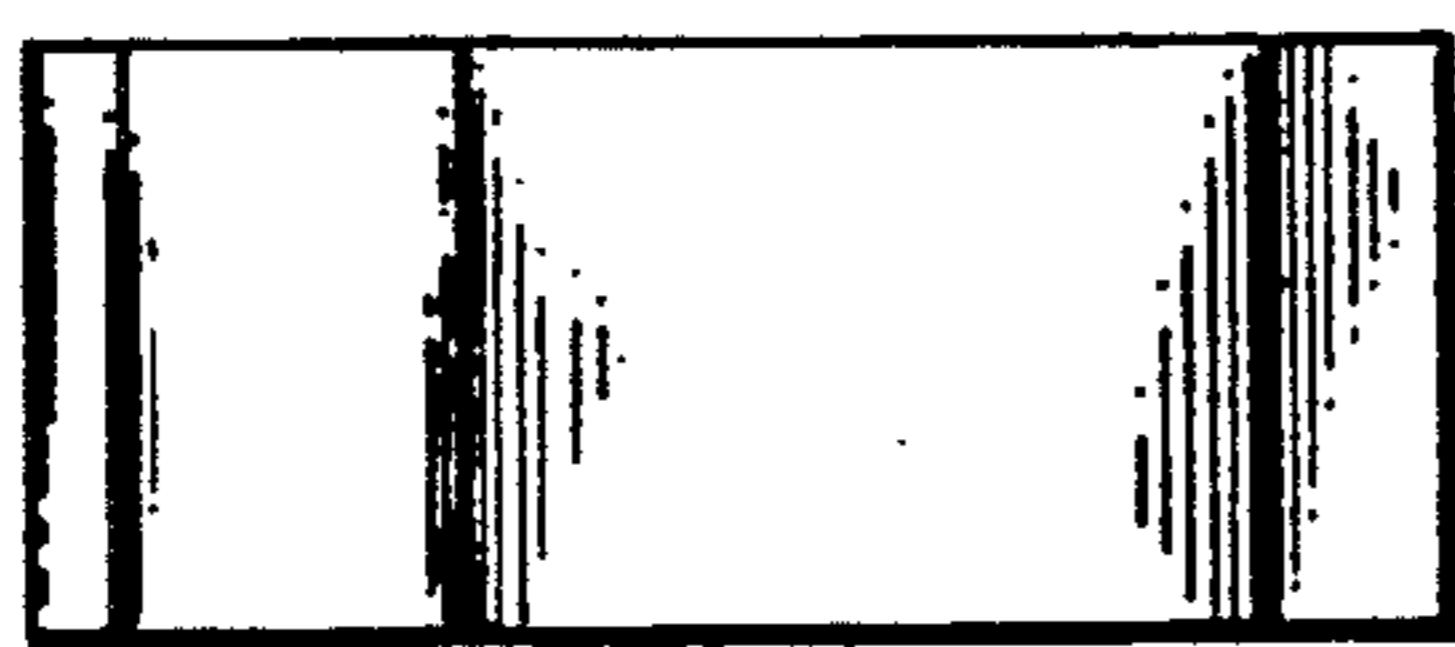


FIG. 11

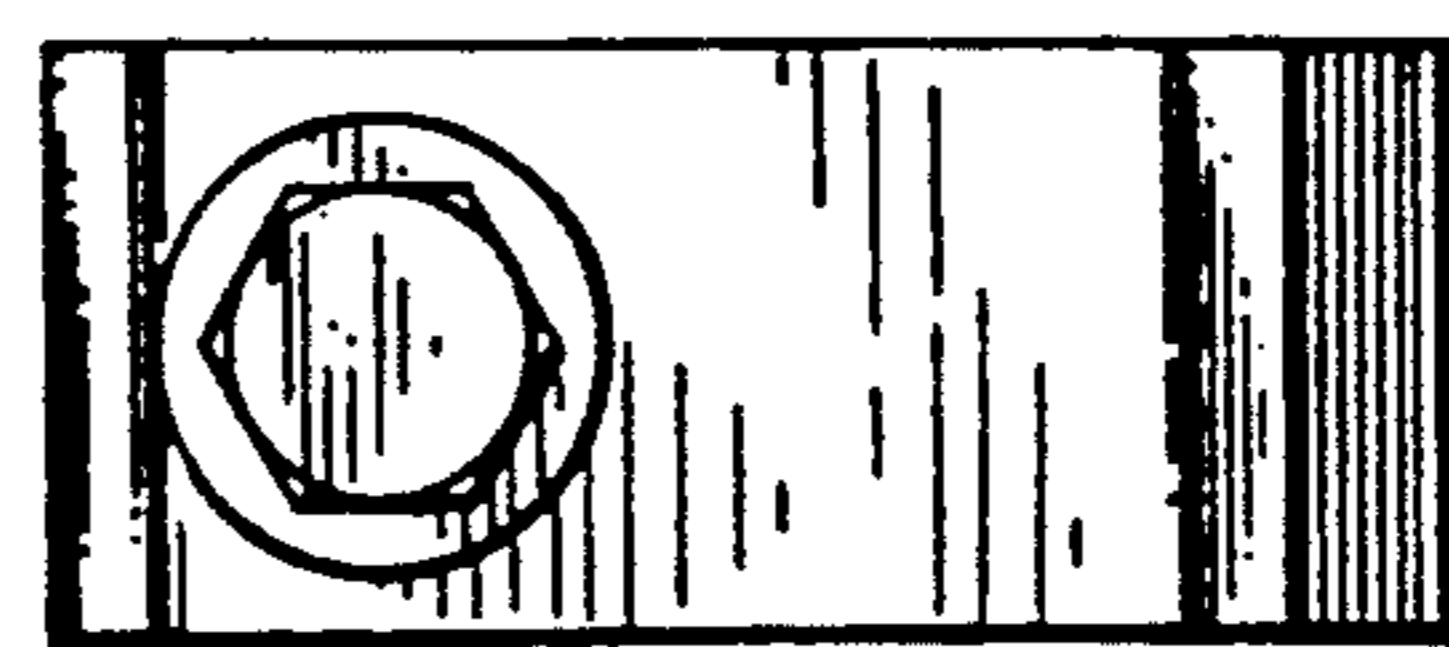


FIG. 12