



US00D329006S

United States Patent [19]

[11] Patent Number: **Des. 329,006**

Standridge

[45] Date of Patent: **** Sep. 1, 1992**

[54] THIMBLE ATTACHMENT FOR A DRILL

3,683,567	8/1972	Ali	51/358
4,177,611	12/1979	Carr-Rollett	51/358
4,744,180	5/1988	Voorhees	51/358

[76] Inventor: **Darrel E. Standridge**, 511 Malibu Ave., Malakoff, Tex. 75148

[**] Term: **14 Years**

Primary Examiner—Donald P. Walsh
Assistant Examiner—Jeff Musgrove
Attorney, Agent, or Firm—Leon Gilden

[21] Appl. No.: **544,351**

[22] Filed: **Jun. 27, 1990**

[52] U.S. Cl. **D8/70**

[58] Field of Search **D8/70; 51/334, 358, 51/365, 381, 382, 372, 395; D3/24, 27, 33**

[57] **CLAIM**

The ornamental design for a thimble attachment for a drill, as shown and described.

[56] **References Cited**

DESCRIPTION

U.S. PATENT DOCUMENTS

D. 272,485	2/1984	Philips	D3/24
D. 281,482	11/1985	Suzuki	D3/24
1,656,032	1/1928	Birkholtz	D3/24
3,418,764	12/1968	Kozar	51/365
3,581,439	6/1971	Jensen et al.	51/358

FIG. 1 is a front elevational view of the thimble attachment for a drill showing my new design;
FIG. 2 is a rear elevational view thereof;
FIG. 3 is a left side elevational view thereof;
FIG. 4 is a right side elevational view thereof;
FIG. 5 is a top plan view thereof; and,
FIG. 6 is a bottom plan view thereof.

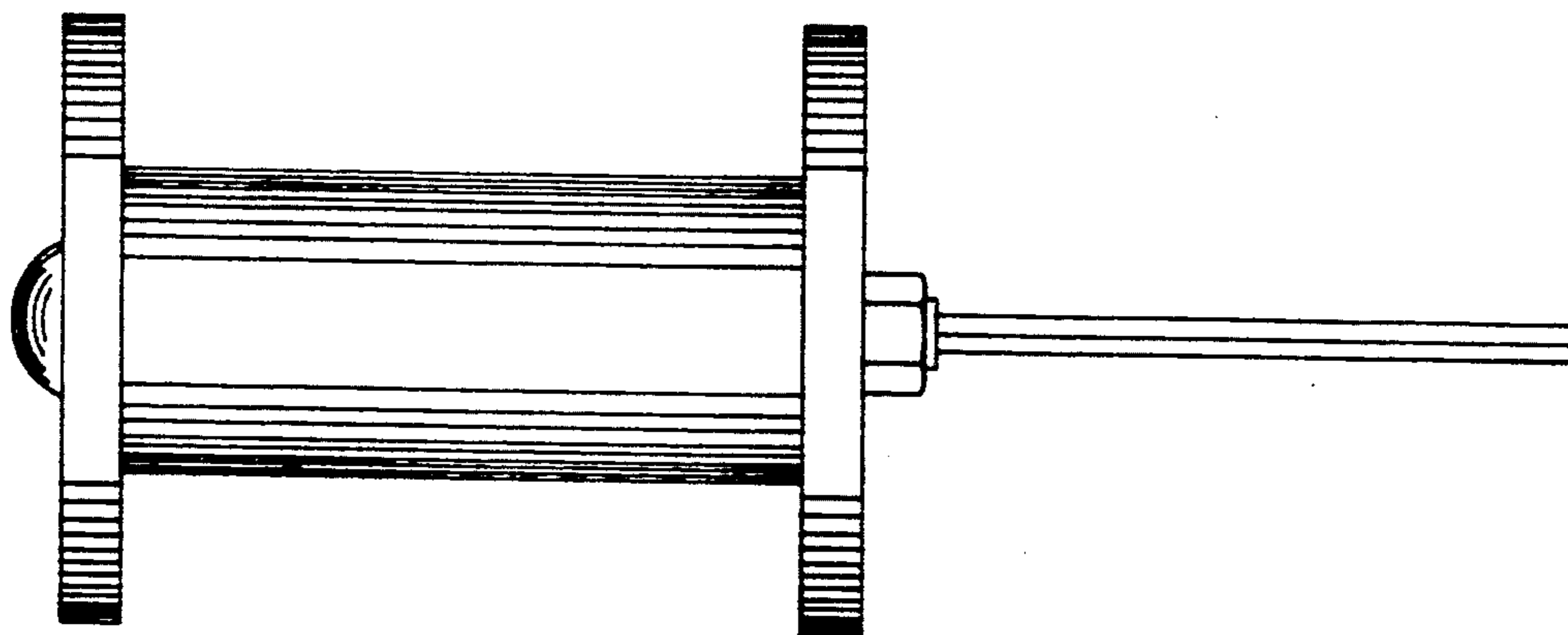


FIG. 1

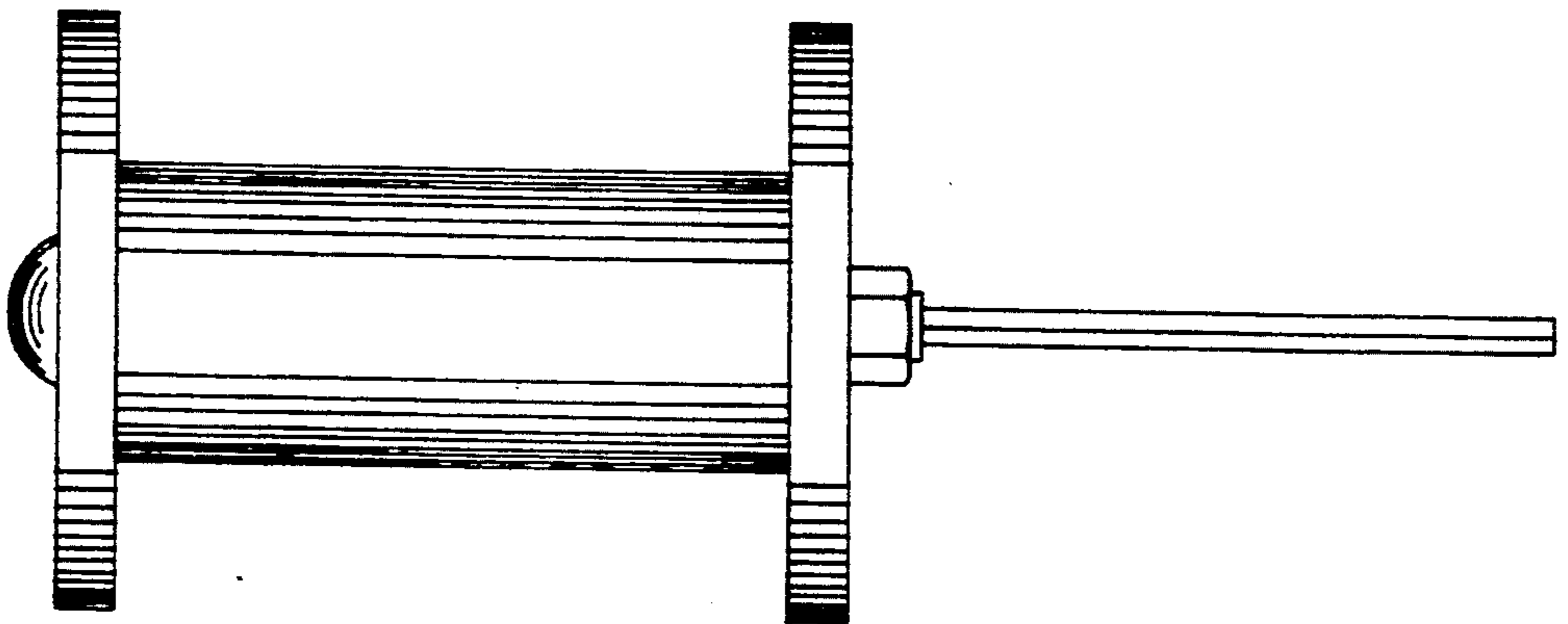


FIG. 2

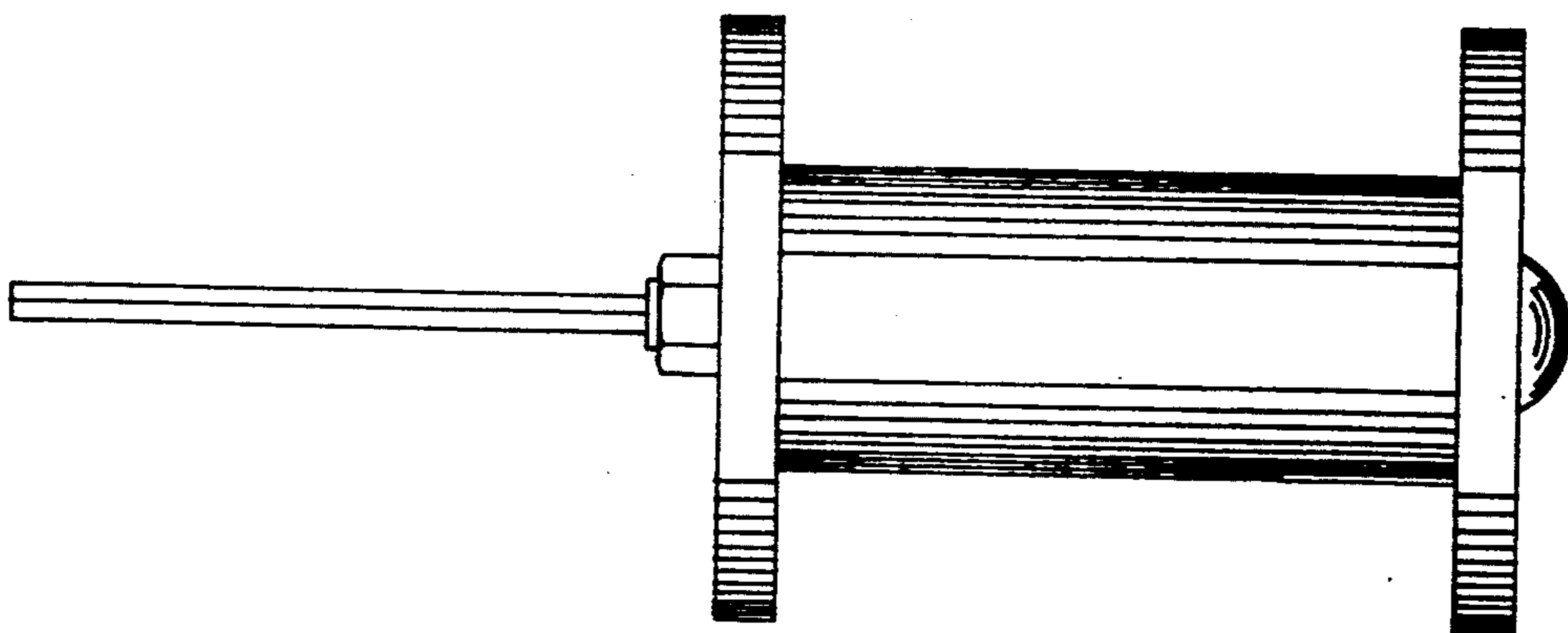


FIG. 3

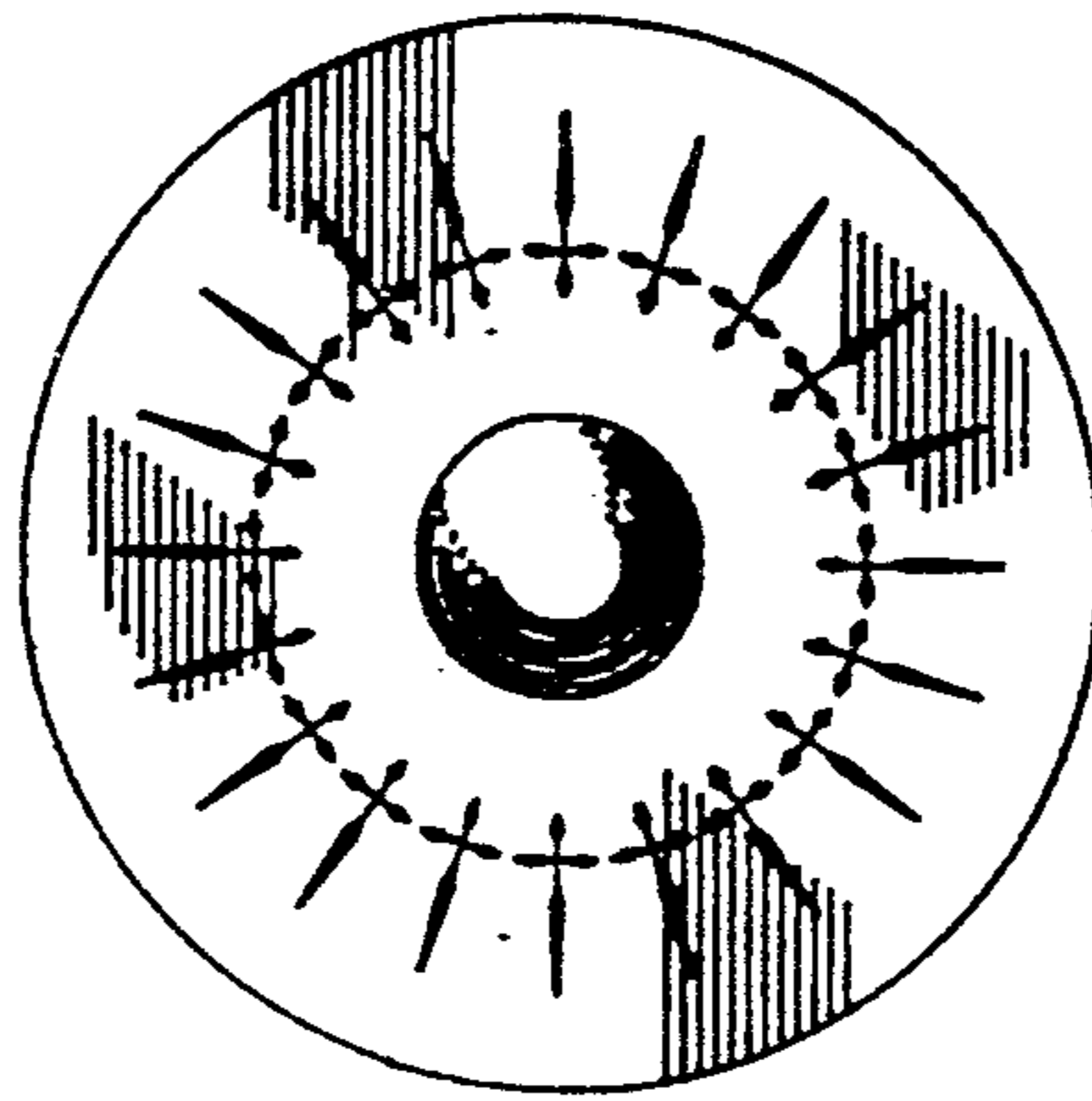


FIG. 4

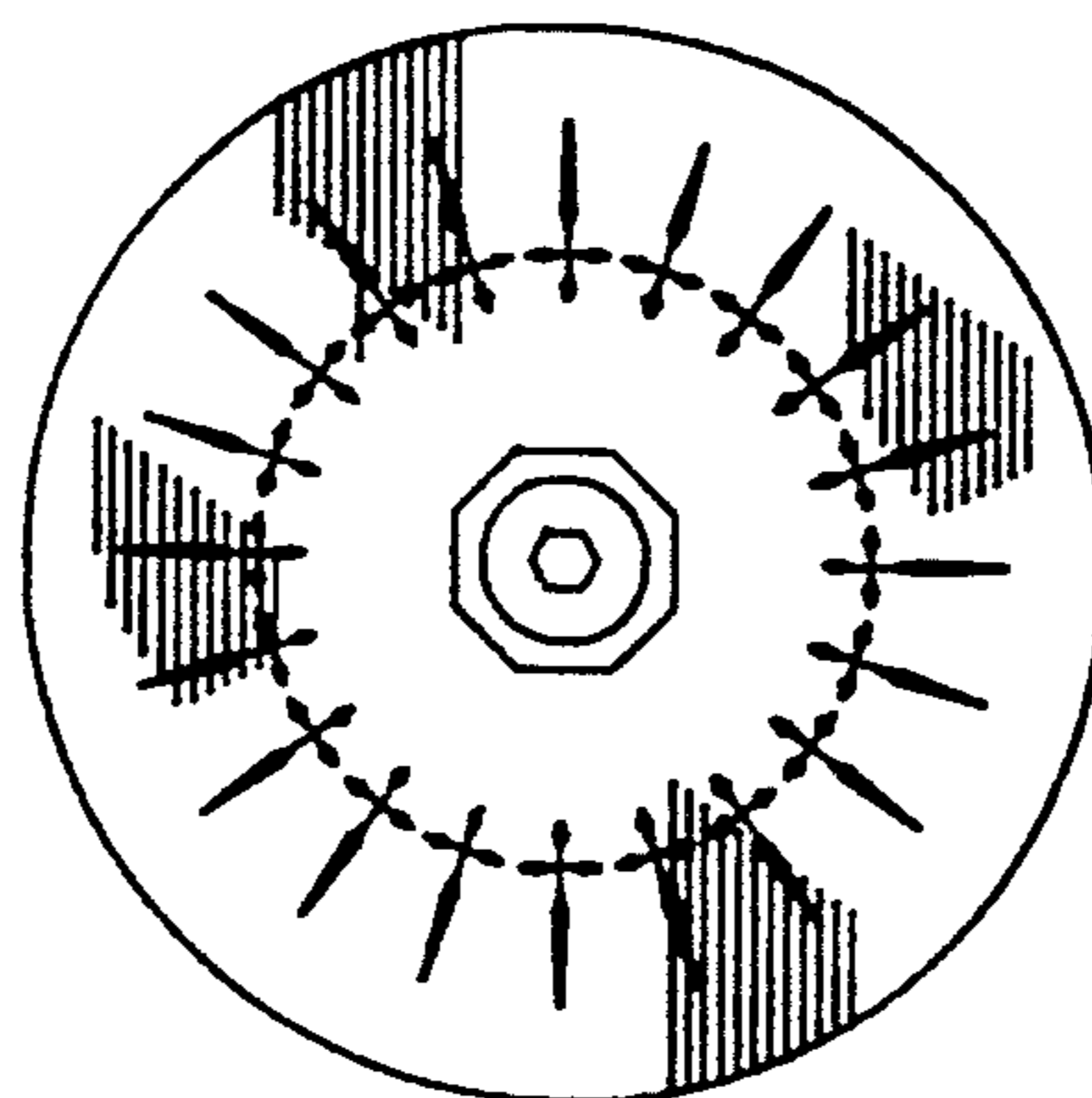


FIG. 5

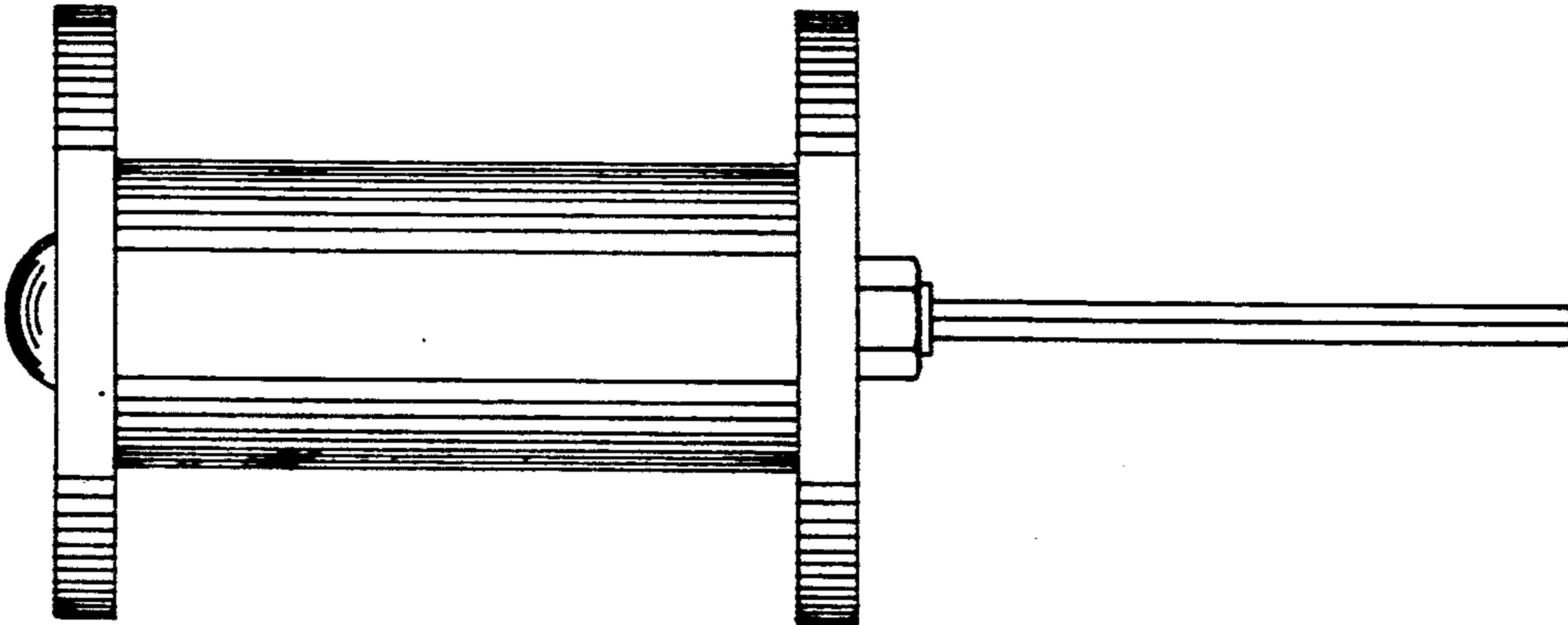


FIG. 6

