



US00D329005S

# United States Patent [19]

[11] Patent Number: **Des. 329,005**

Hoshino et al.

[45] Date of Patent: **\*\* Sep. 1, 1992**

[54] **SABRE SAW OR THE LIKE**

[75] Inventors: **Kiyoshi Hoshino, Clemson; Ronald D. Kunkel, Easley, both of S.C.**

[73] Assignee: **Ryobi Motor Products Corp., Easley, S.C.**

[\*\*] Term: **14 Years**

[21] Appl. No.: **476,290**

[22] Filed: **Feb. 7, 1990**

[52] U.S. Cl. .... **D8/69**

[58] Field of Search ..... **D8/64, 61, 69, 68; 30/272, 273, 392-394**

|            |         |                    |        |
|------------|---------|--------------------|--------|
| D. 297,401 | 8/1988  | Clowers .....      | D8/64  |
| 3,162,782  | 12/1964 | Downs .....        | 74/50  |
| 3,204,470  | 9/1965  | Brucker .....      | 74/50  |
| 3,206,989  | 9/1965  | Enders .....       | 74/50  |
| 3,938,251  | 2/1976  | Kareman .....      | 30/376 |
| 4,090,297  | 5/1978  | Wanner et al. .... | 30/124 |

*Primary Examiner*—Nelson C. Holtje  
*Assistant Examiner*—J. H. Musgrove  
*Attorney, Agent, or Firm*—Brooks & Kushman

### [57] CLAIM

The ornamental design of a sabre saw or the like, as shown.

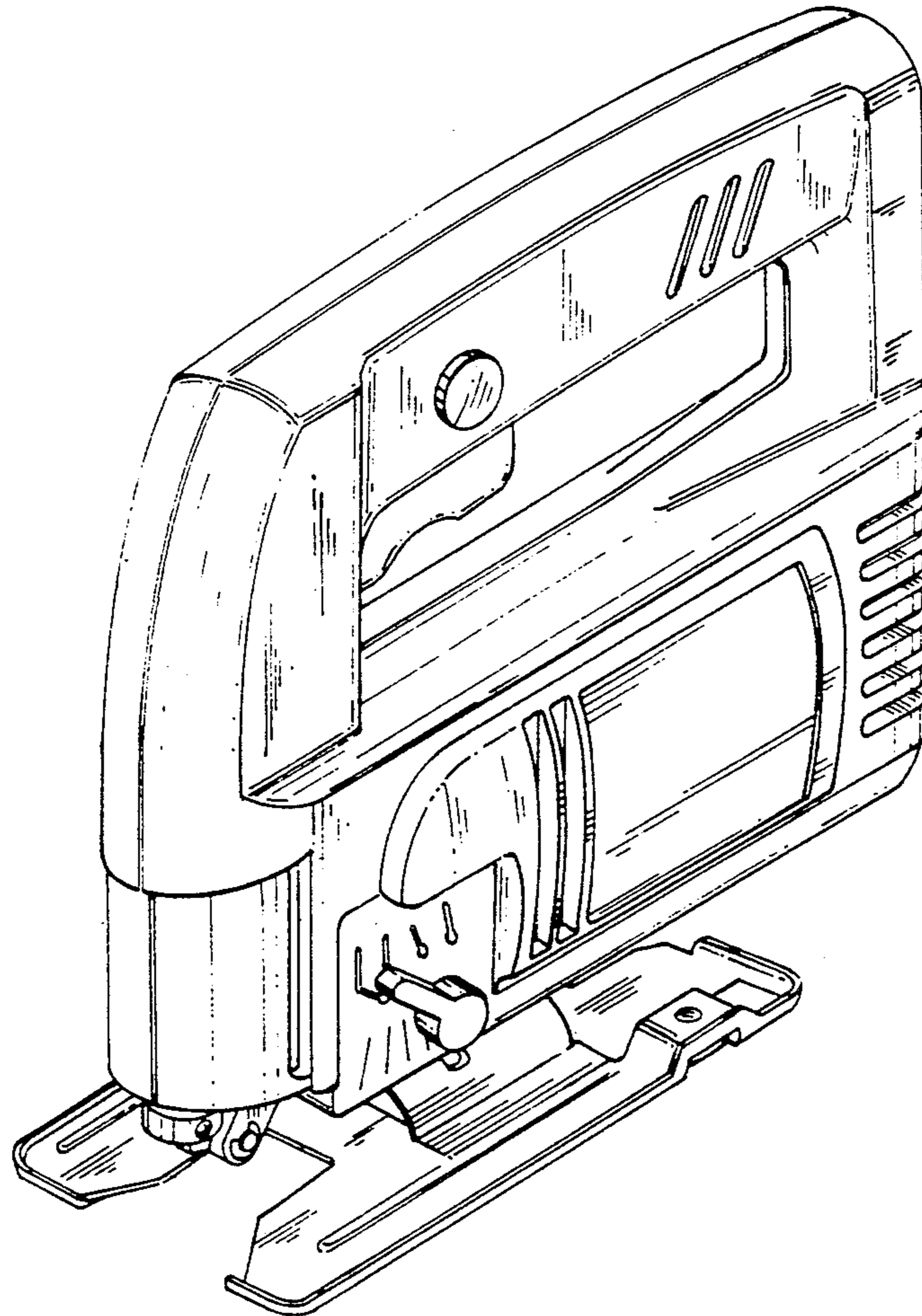
### DESCRIPTION

FIG. 1 is a top, left side and front perspective view of a sabre saw or the like showing our new design; FIG. 2 is a top, right side and rear perspective view thereof; FIG. 3 is a front elevational view thereof; FIG. 4 is a rear elevational view thereof; FIG. 5 is a left side elevational view thereof; FIG. 6 is a right side elevational view thereof; FIG. 7 is a top plan view thereof; and, FIG. 8 is a bottom plan view thereof.

### [56] References Cited

#### U.S. PATENT DOCUMENTS

|            |         |                      |       |
|------------|---------|----------------------|-------|
| D. 180,591 | 7/1957  | Ernest et al. ....   | D8/64 |
| D. 191,570 | 10/1961 | Downs .....          | D8/64 |
| D. 197,549 | 2/1964  | Johnson .....        | D8/64 |
| D. 262,472 | 12/1981 | Wildman .....        | D8/64 |
| D. 282,625 | 2/1986  | Schultz et al. ....  | D8/64 |
| D. 287,930 | 1/1987  | Somers .....         | D8/64 |
| D. 295,945 | 5/1988  | Sakamoto et al. .... | D8/64 |
| D. 297,208 | 8/1988  | Somers .....         | D8/64 |



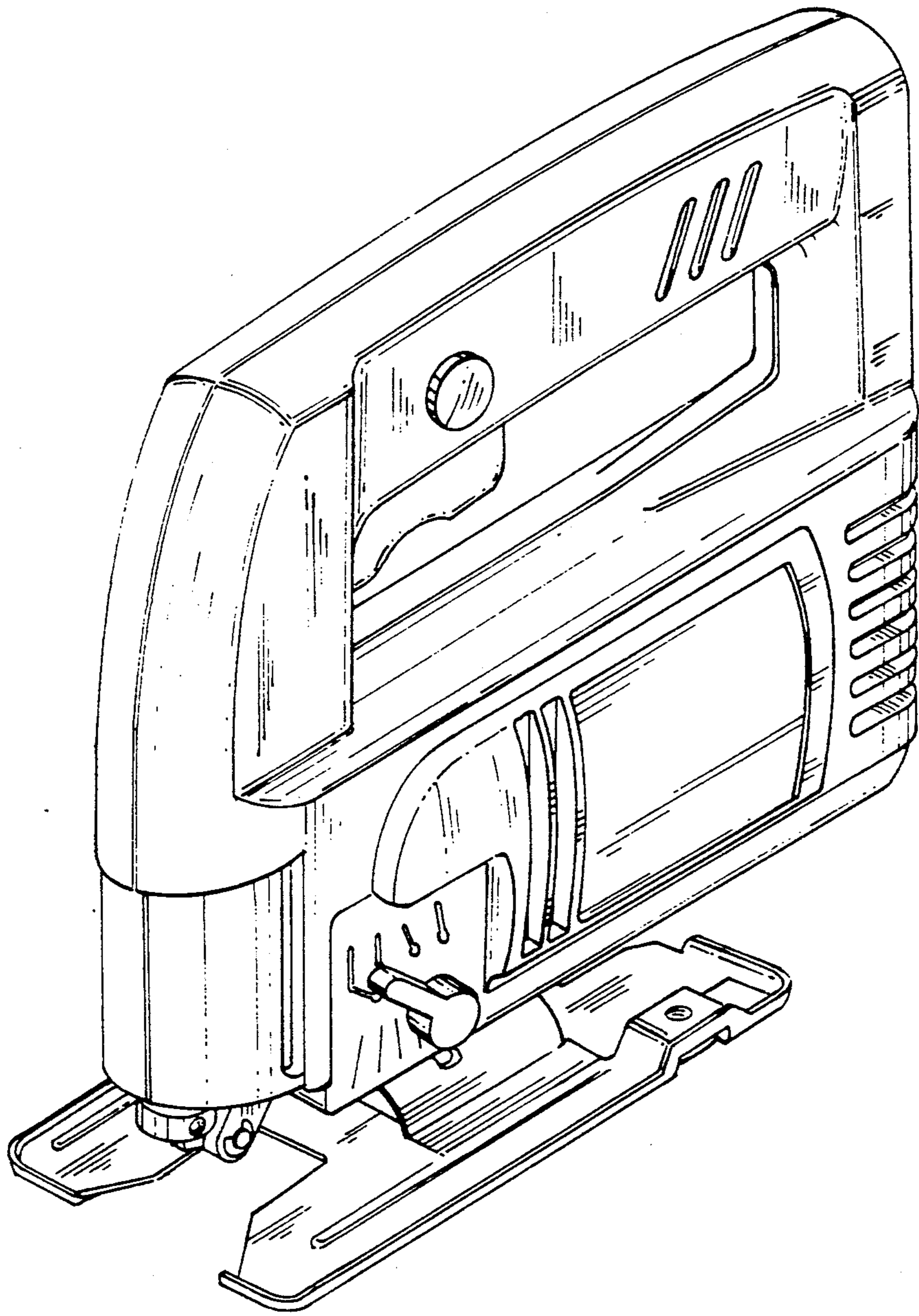


FIG. 1

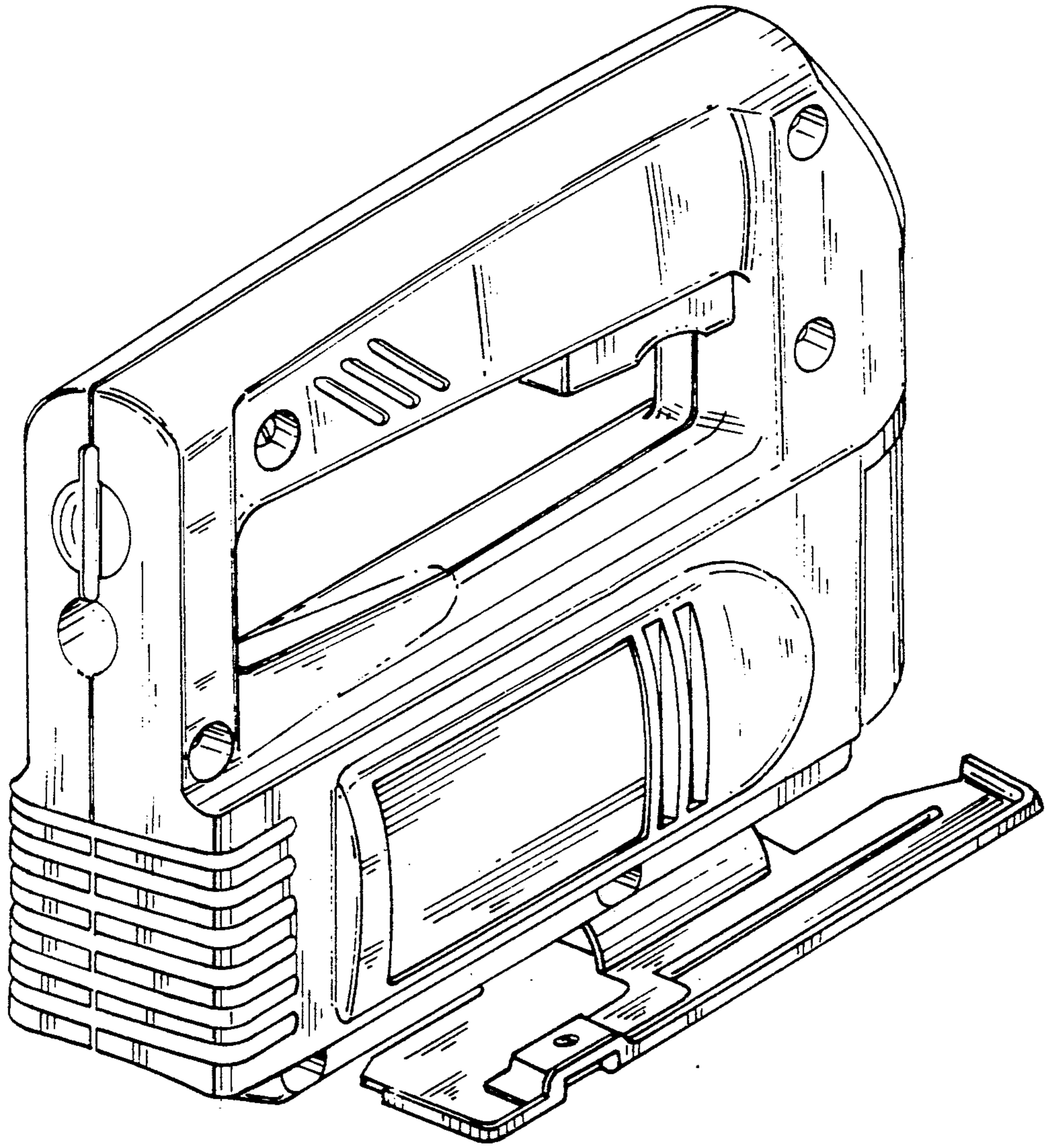


FIG. 2

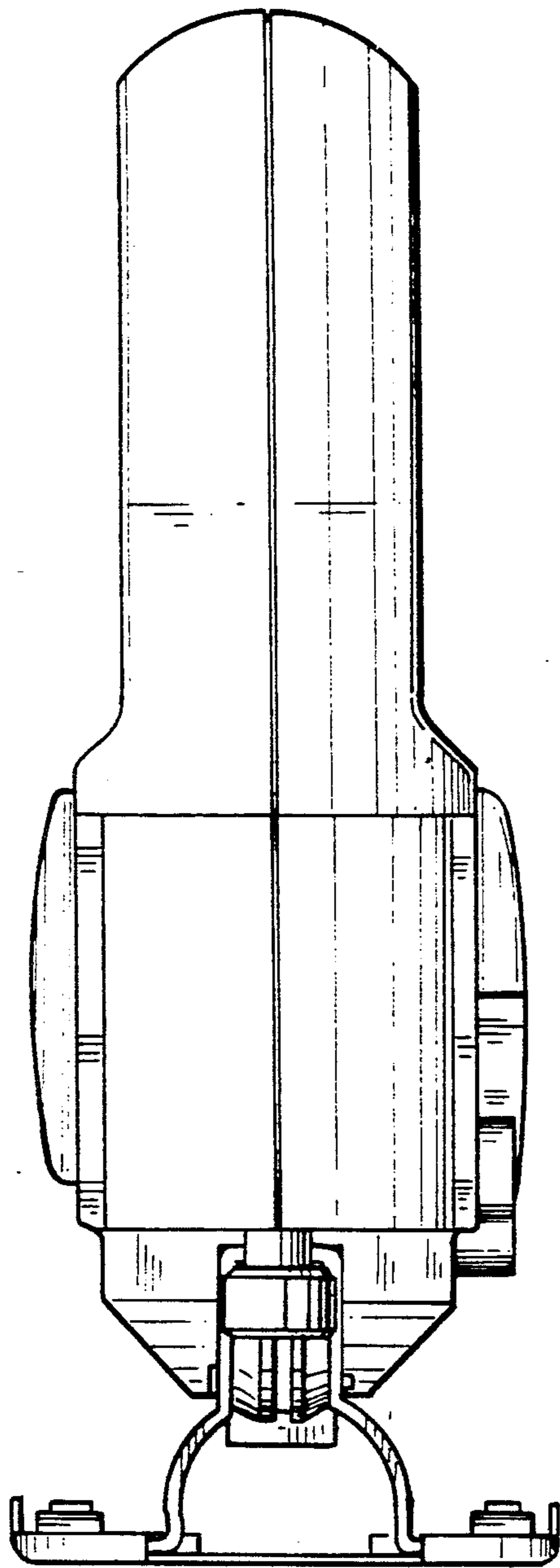


FIG. 3

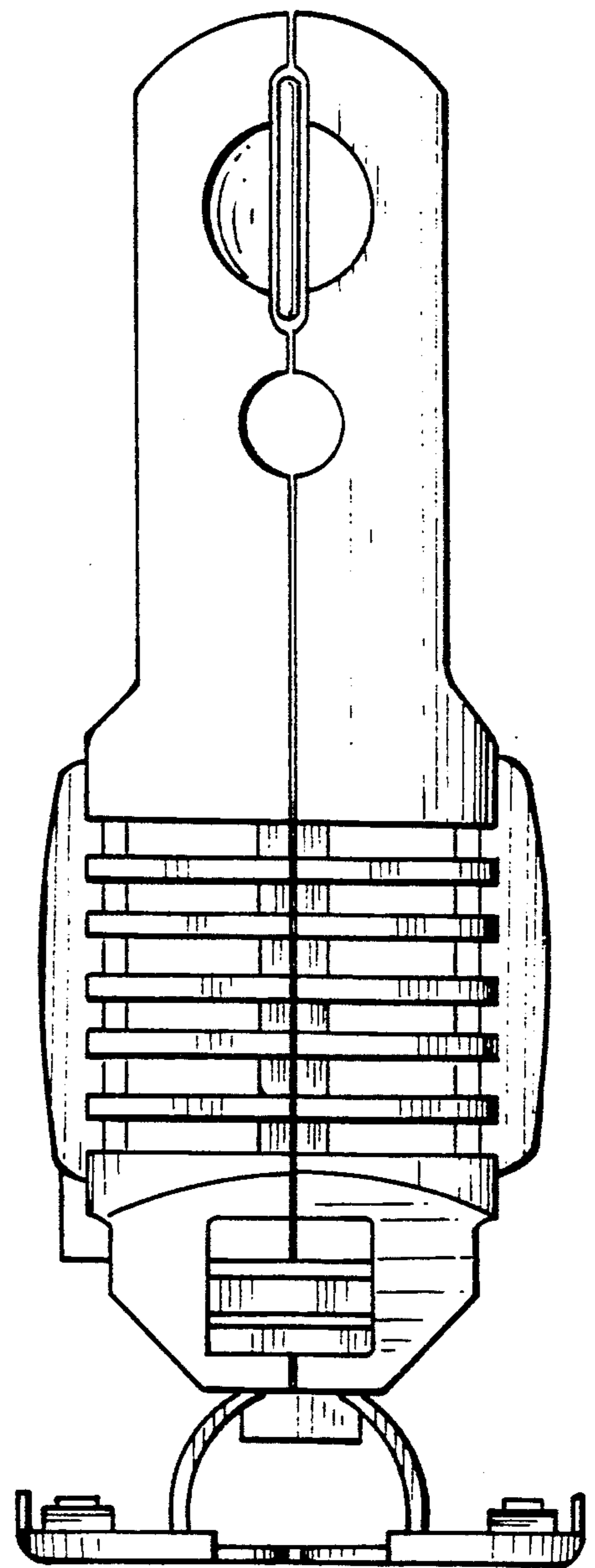


FIG. 4

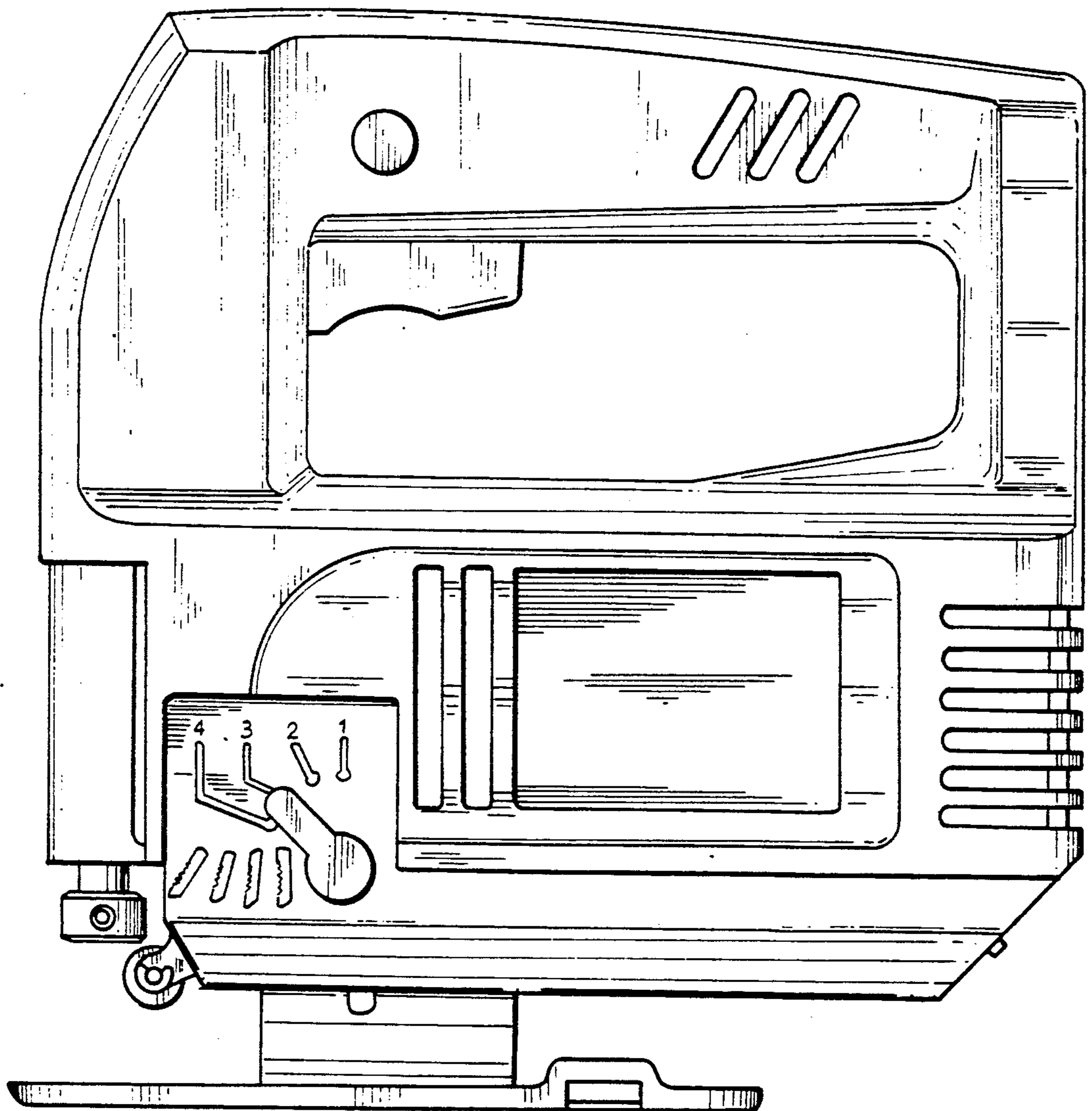


FIG. 5

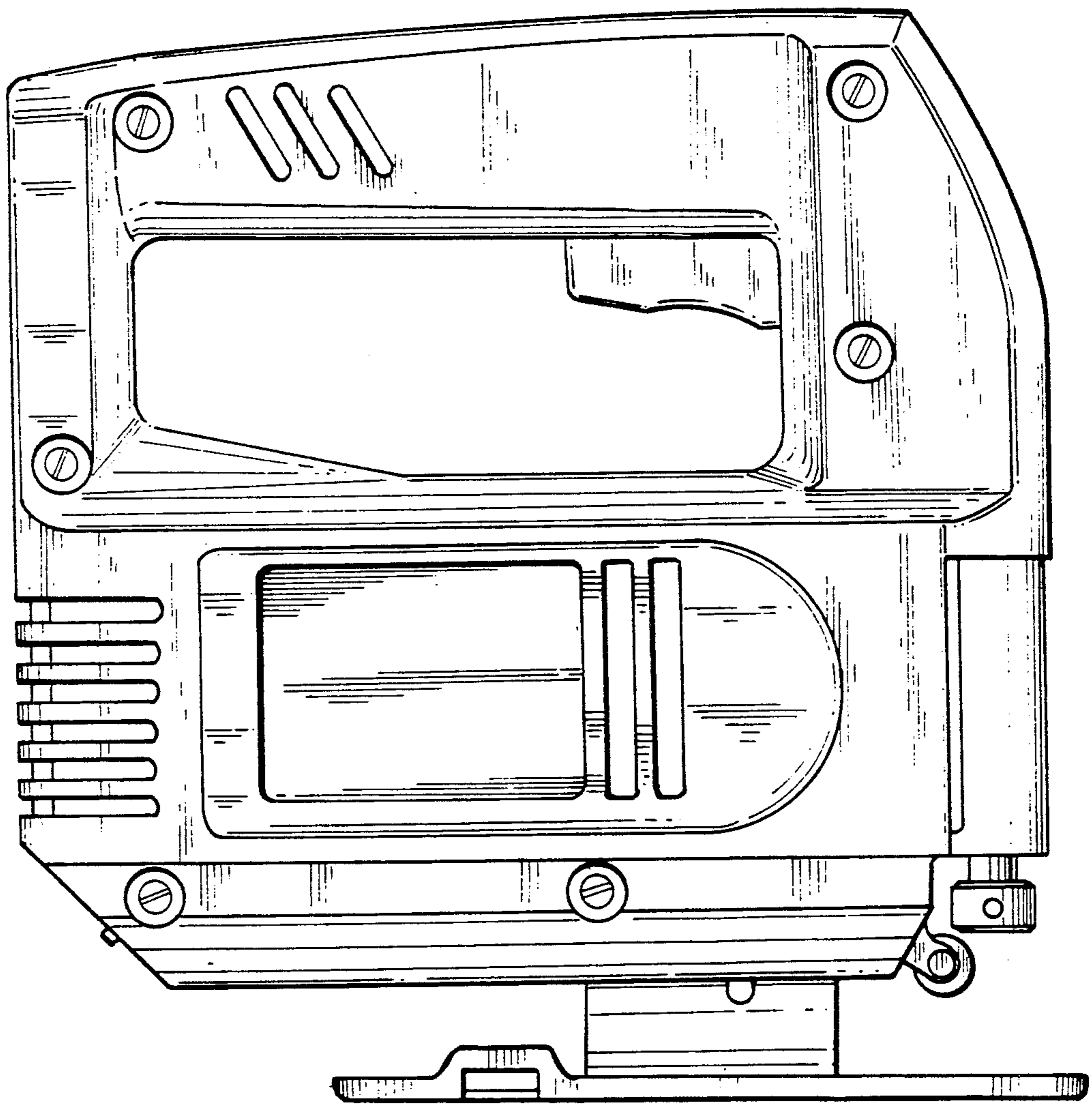


FIG. 6

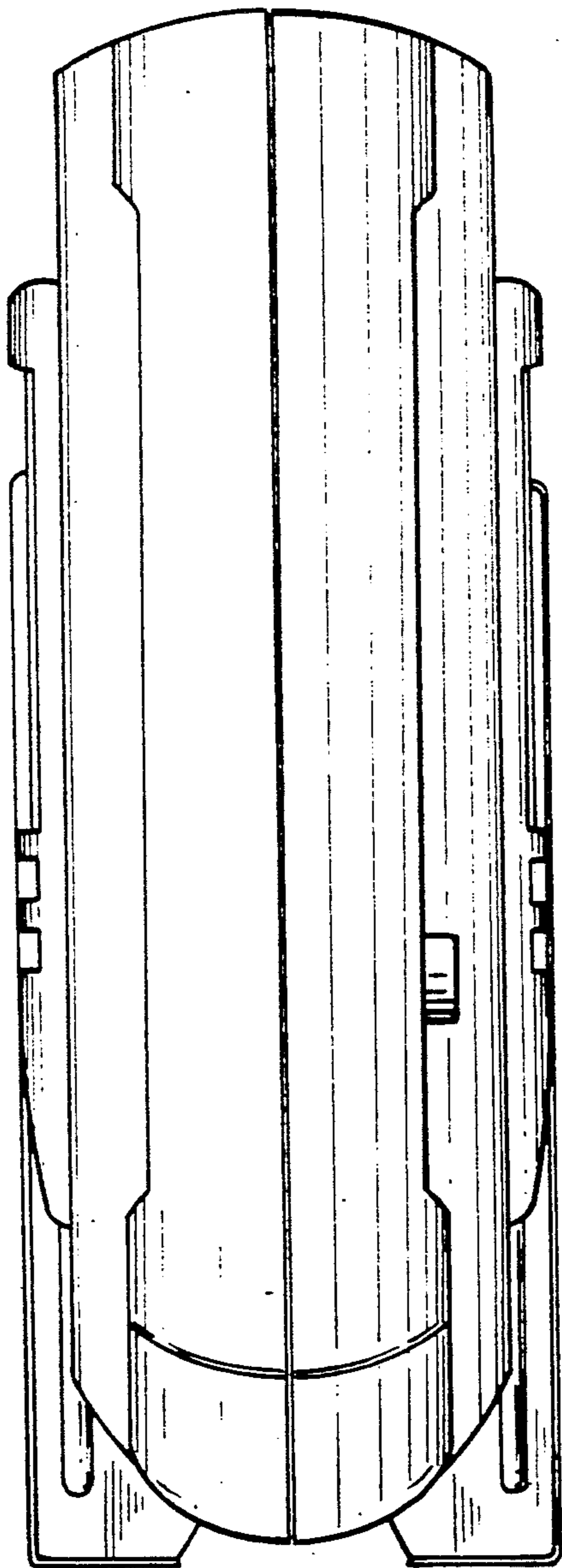


FIG. 7

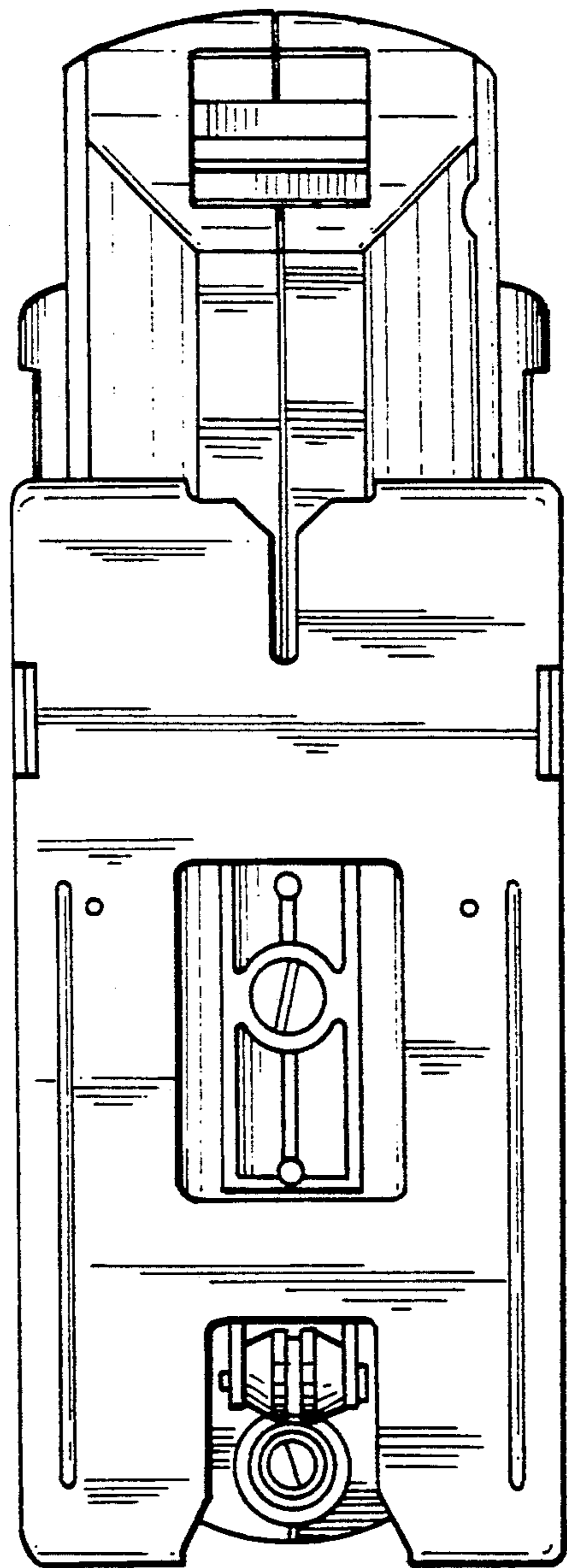


FIG. 8