



US00D329004S

United States Patent [19] King

[11] Patent Number: **Des. 329,004**

[45] Date of Patent: **** Sep. 1, 1992**

[54] SNOW MOVING BLADE ATTACHMENT
FOR A YARD RAKE

[76] Inventor: **Causby King**, 2010 Grand Ave.,
Middletown, Ohio 45044

[**] Term: **14 Years**

[21] Appl. No.: **572,024**

[22] Filed: **Aug. 24, 1990**

[52] U.S. Cl. **D8/1; D15/25;**
D15/28

[58] Field of Search **D15/11, 28, 32; D8/1,**
D8/16; 294/49, 59, 52, 50.9, 51, 54.5; D32/46,
48; 37/284, 241; 56/400.4

[56] **References Cited**

U.S. PATENT DOCUMENTS

- 2,902,815 9/1959 Gallo .
- 3,084,498 4/1963 Straley .

- 3,397,469 8/1968 Browning 37/241 X
- 4,565,398 1/1986 Poulin .
- 4,878,704 11/1989 Jacanin, Jr. et al. 294/51 X
- 4,991,324 2/1991 Fine et al. 294/54.5 X

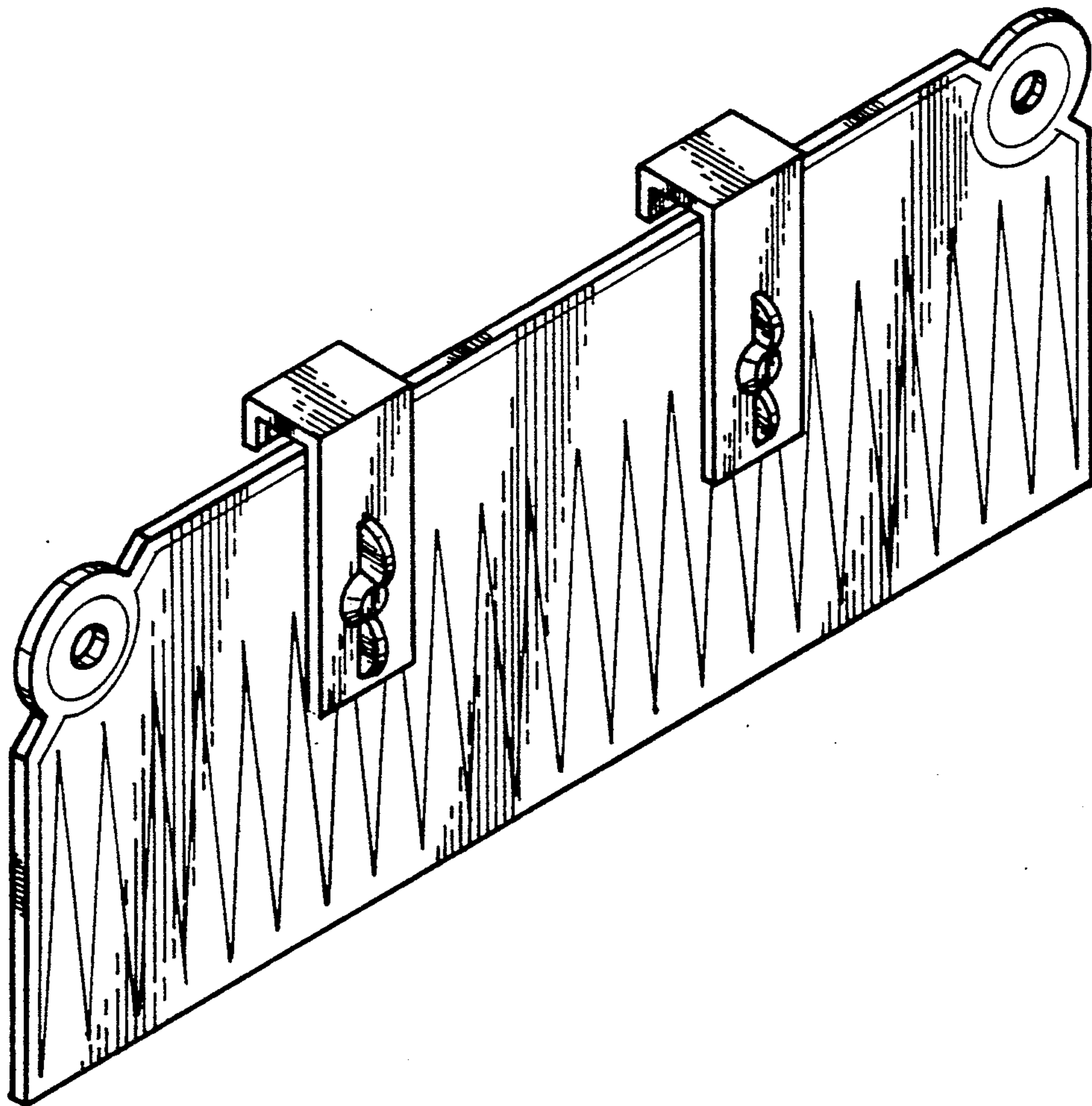
Primary Examiner—Susan J. Lucas
Assistant Examiner—H. Baynham
Attorney, Agent, or Firm—Terry M. Gernstein

[57] **CLAIM**

The ornamental design for a snow moving blade attachment for a yard rake, as shown and described.

DESCRIPTION

FIG. 1 is a perspective view of a snow moving blade attachment for a yard rake showing my new design; FIG. 2 is a front elevational view thereof; FIG. 3 is a rear elevational view thereof; FIG. 4 is a side elevational view thereof with the opposite side being a mirror image thereof; FIG. 5 is a top plan view thereof; and, FIG. 6 is a bottom plan view thereof.



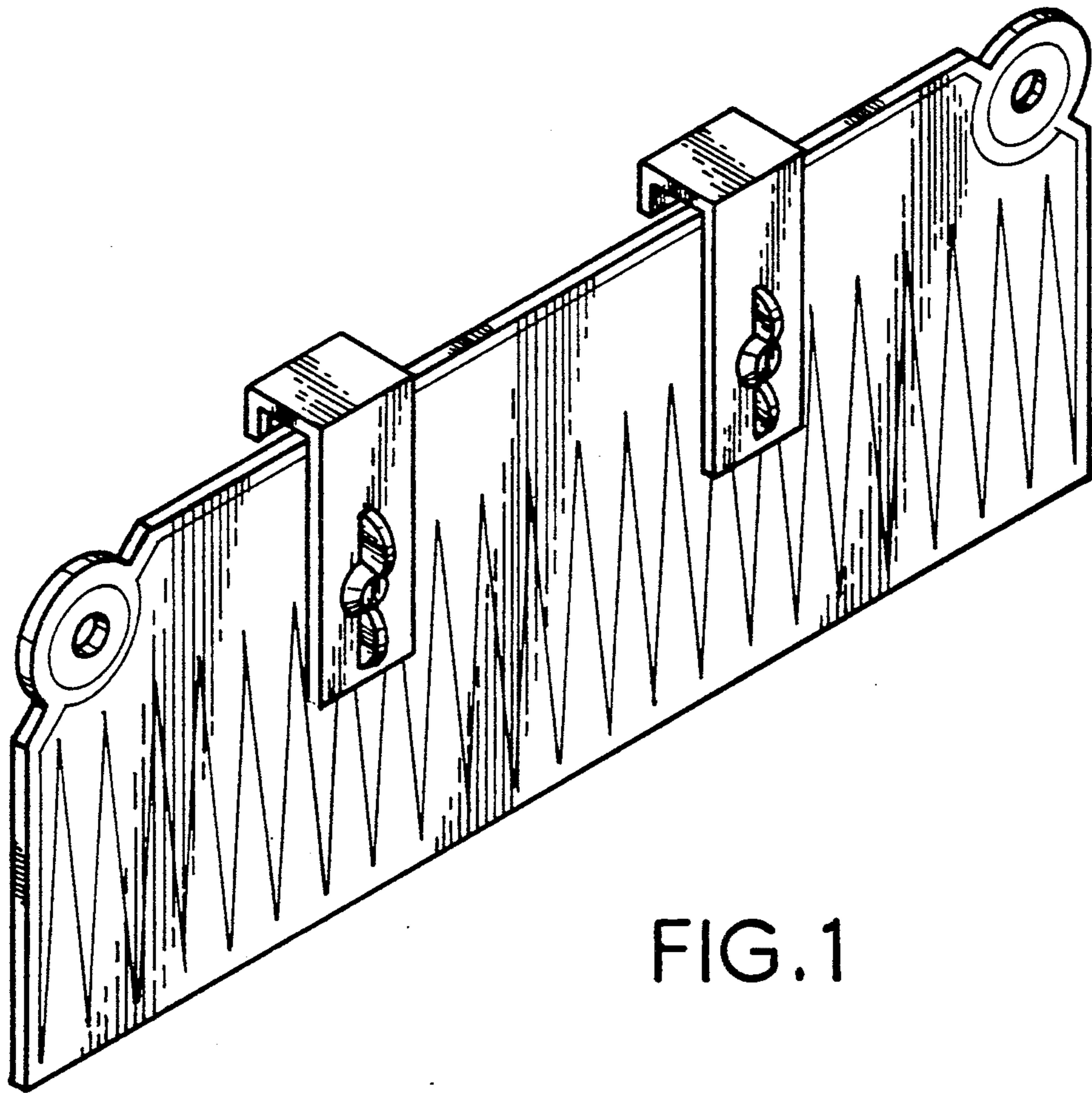


FIG. 1

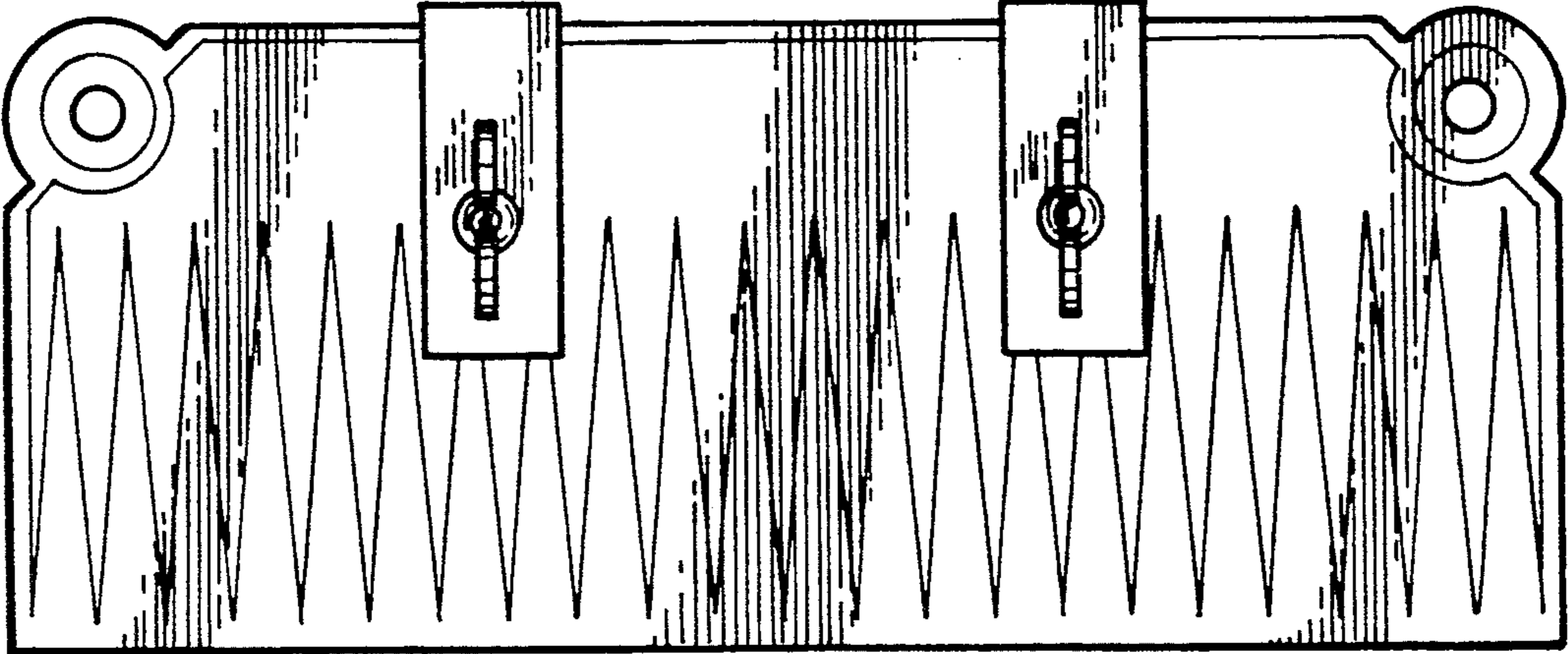


FIG. 2

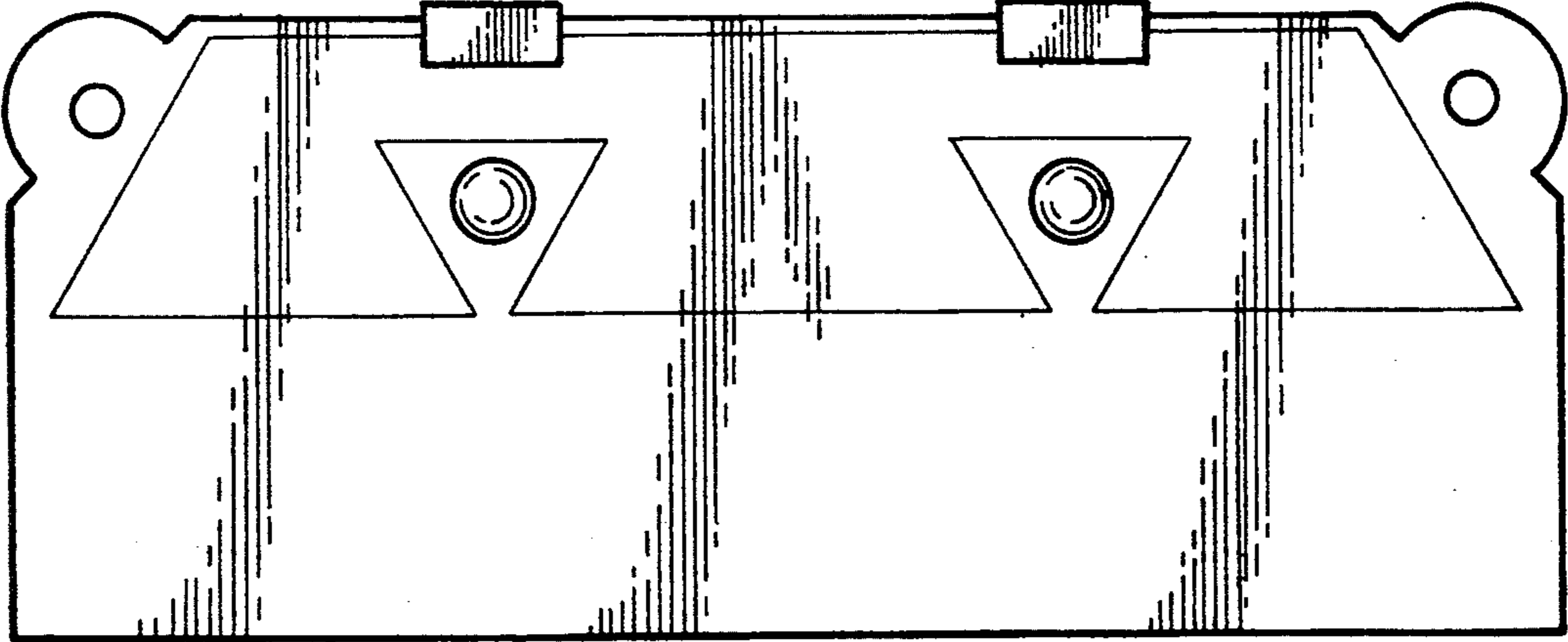


FIG. 3



FIG. 4

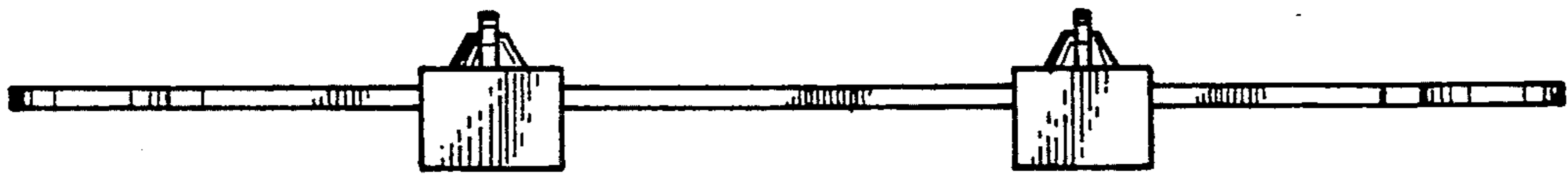


FIG. 5

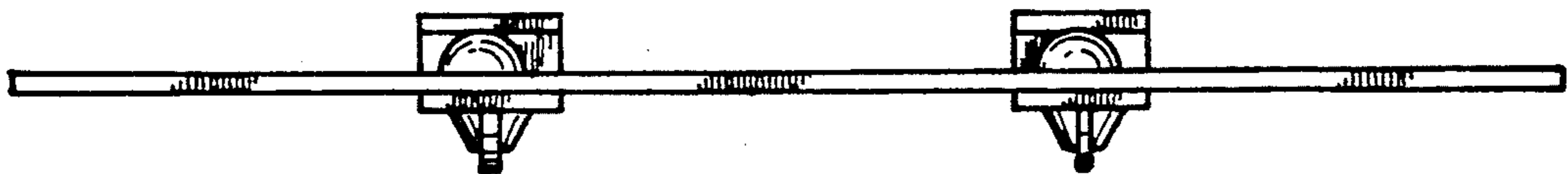


FIG. 6