



US00D328998S

United States Patent [19]

[11] Patent Number: **Des. 328,998**

Maass

[45] Date of Patent: **** Sep. 1, 1992**

[54] **FOOD PROCESSOR**

[75] Inventor: **Rudolf Maass, Solingen, Fed. Rep. of Germany**

[73] Assignee: **Robert Krups Stiftung & Co. KG., Solingen, Fed. Rep. of Germany**

[*] Notice: The portion of the term of this patent subsequent to Sep. 10, 2005 has been disclaimed.

[**] Term: **14 Years**

[21] Appl. No.: **366,039**

[22] Filed: **Jun. 14, 1989**

[30] **Foreign Application Priority Data**

Dec. 27, 1988 [DE] Fed. Rep. of Germany 8804148
[52] U.S. Cl. **D7/376; D7/378**
[58] Field of Search **D7/383, 384, 386, 376, D7/412, 413; 241/37.5, 92, 282.1, 282.2, 169.1**

[56] **References Cited**

U.S. PATENT DOCUMENTS

D. 296,976 8/1988 Maass D7/384
D. 297,901 10/1988 Barrault D7/384
D. 319,754 9/1991 Maass D7/412 X
4,799,626 1/1989 Hickel et al. D7/384 X

Primary Examiner—Donald P. Walsh
Assistant Examiner—Caron D. Veynar
Attorney, Agent, or Firm—Peter K. Kontler

[57] **CLAIM**

The ornamental design for a food processor, as shown and described.

DESCRIPTION

FIG. 1 is a left, front and top perspective view of a food processor showing my new design;
FIG. 2 is a front elevational view thereof;
FIG. 3 is a rear elevational view thereof;
FIG. 4 is a left side elevational view thereof;
FIG. 5 is a right side elevational view thereof;
FIG. 6 is a top plan view thereof; and,
FIG. 7 is a bottom plan view thereof.

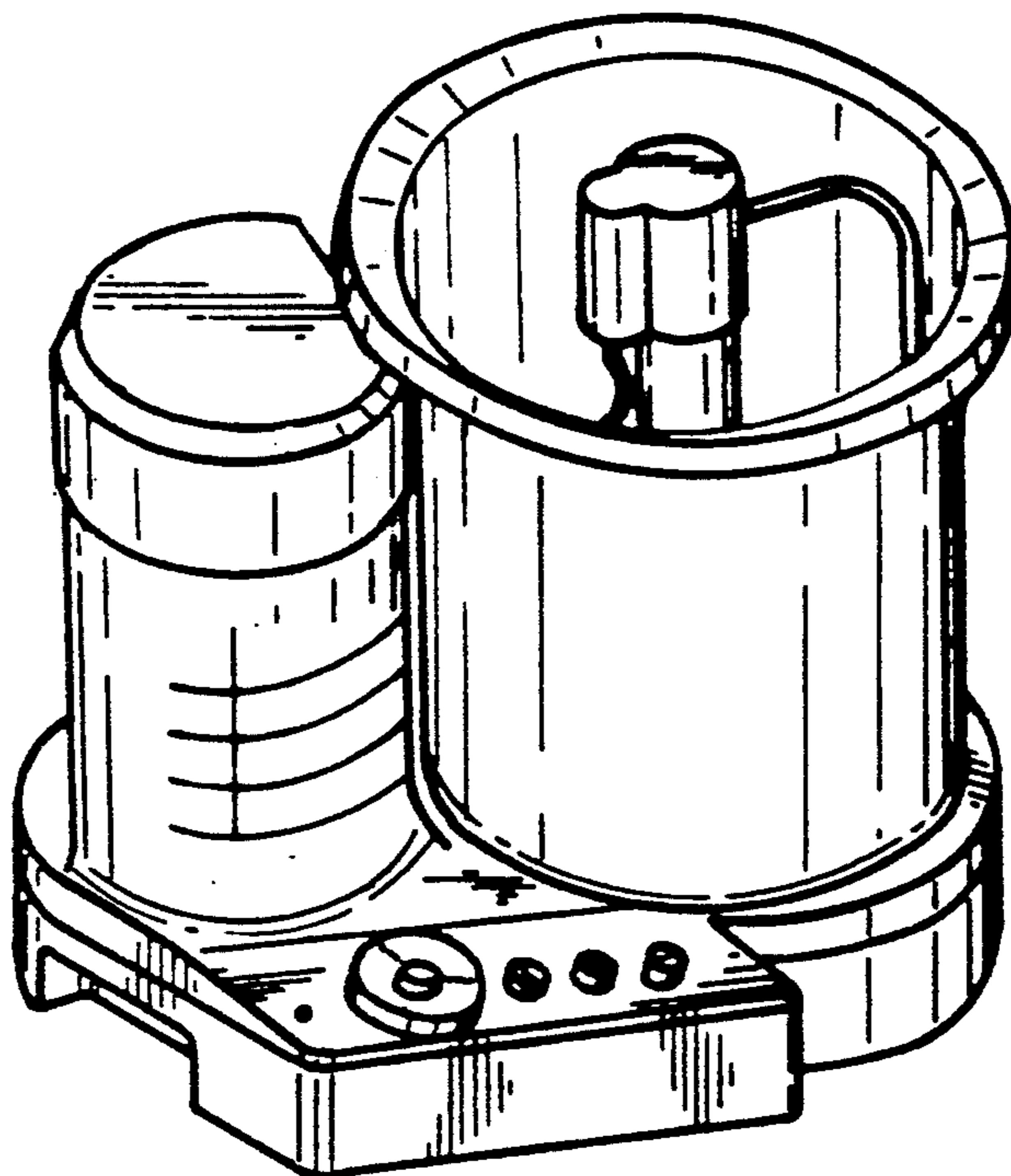


FIG. 1

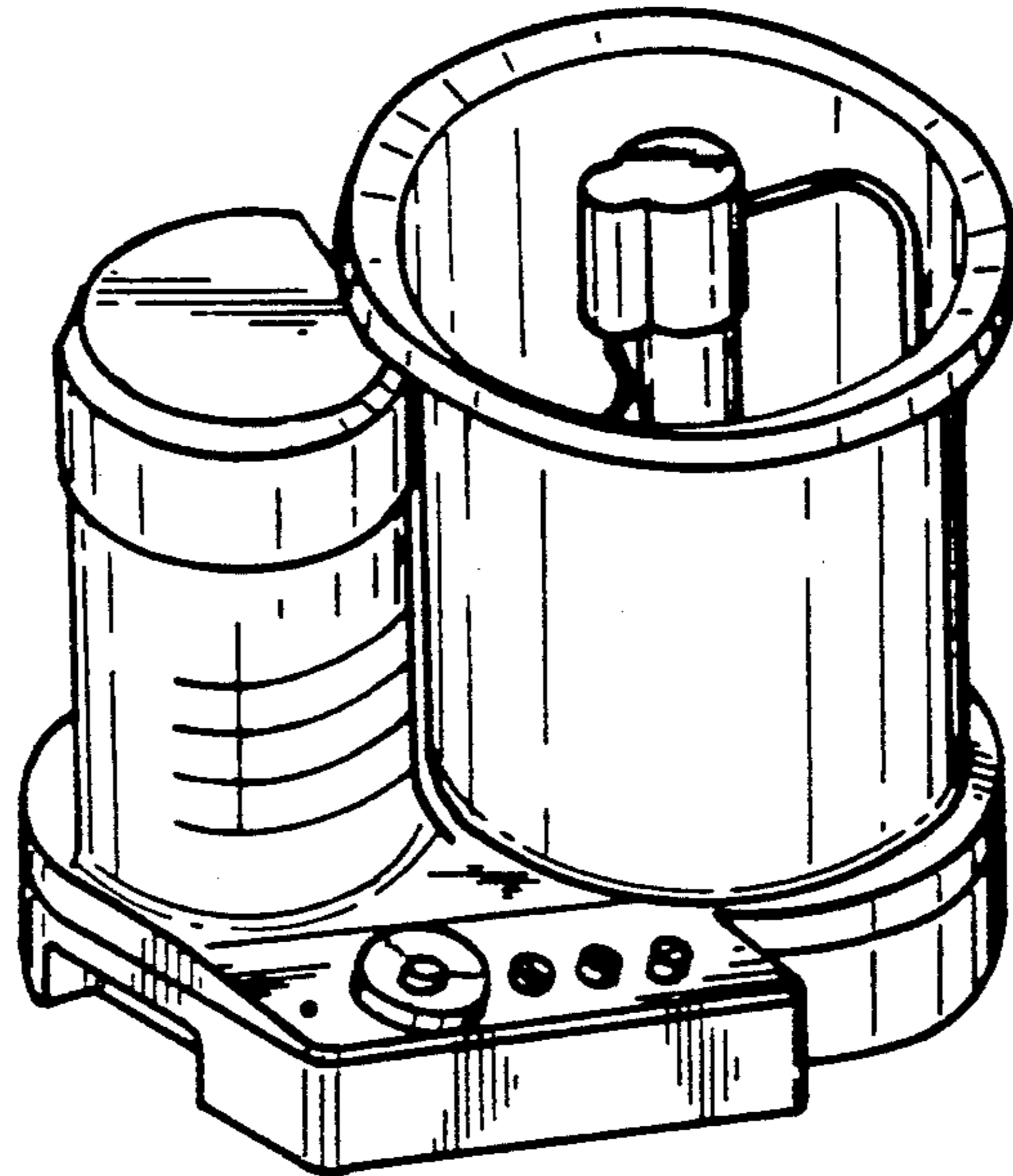


FIG. 2

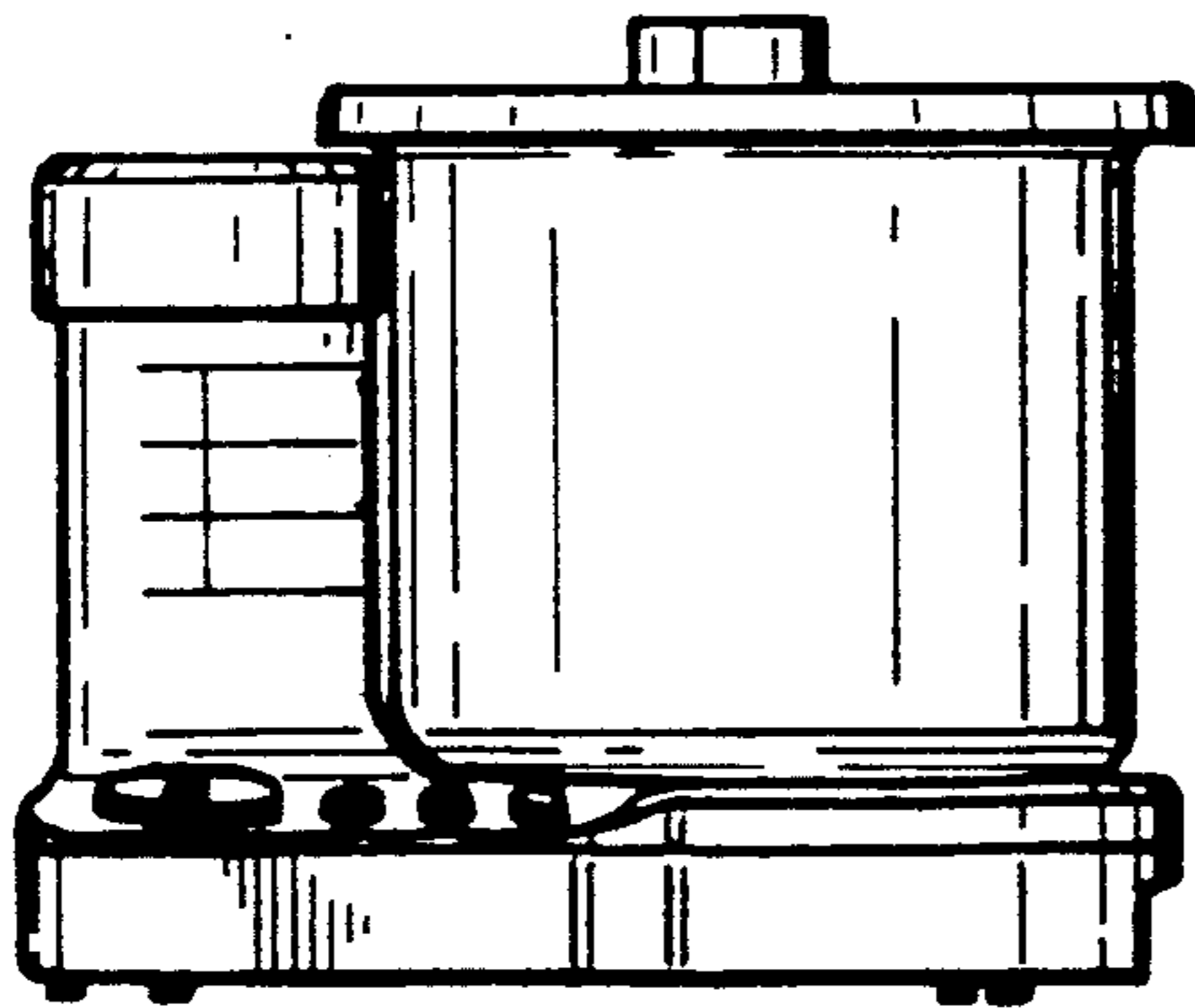


FIG. 3

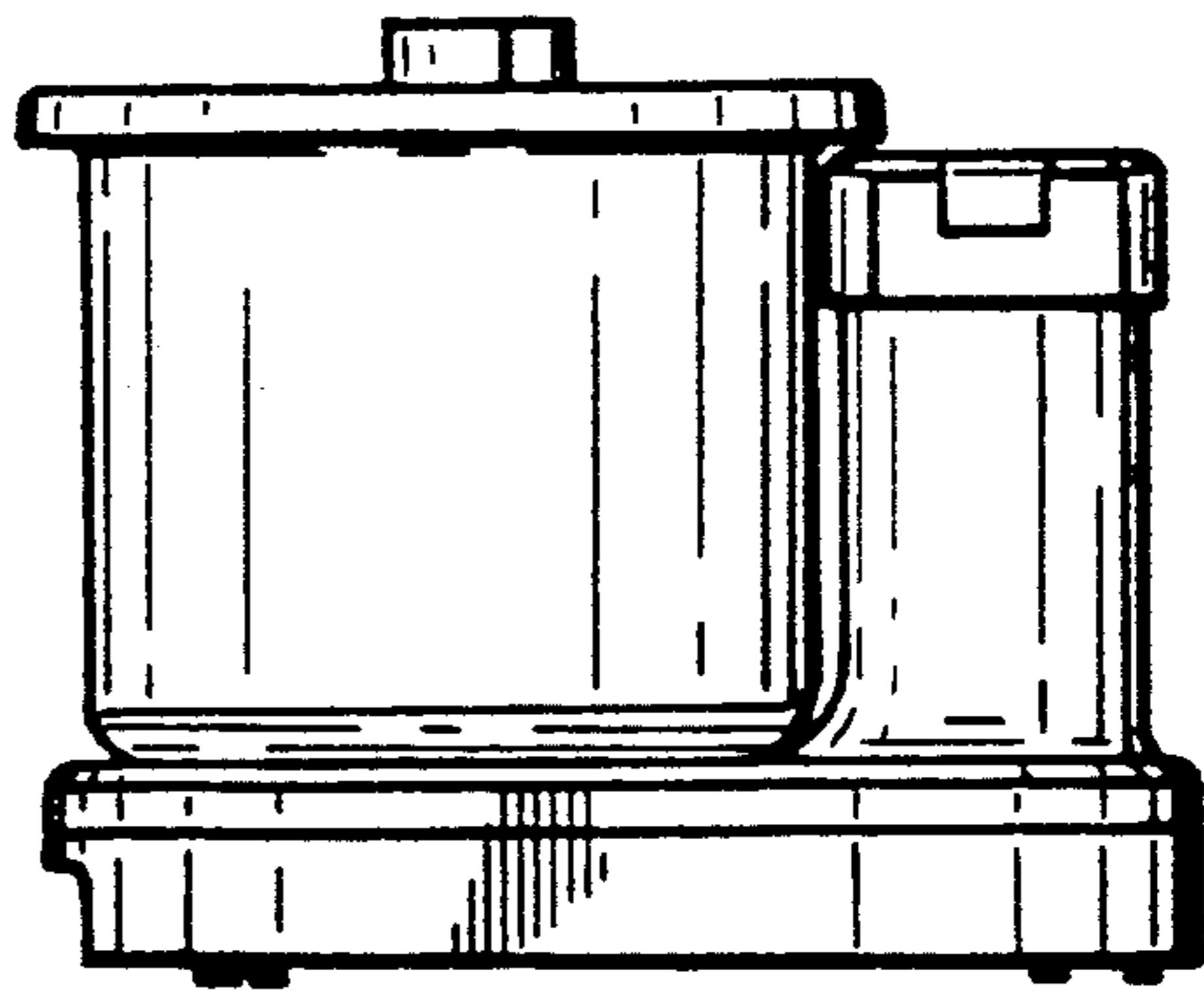


FIG. 4

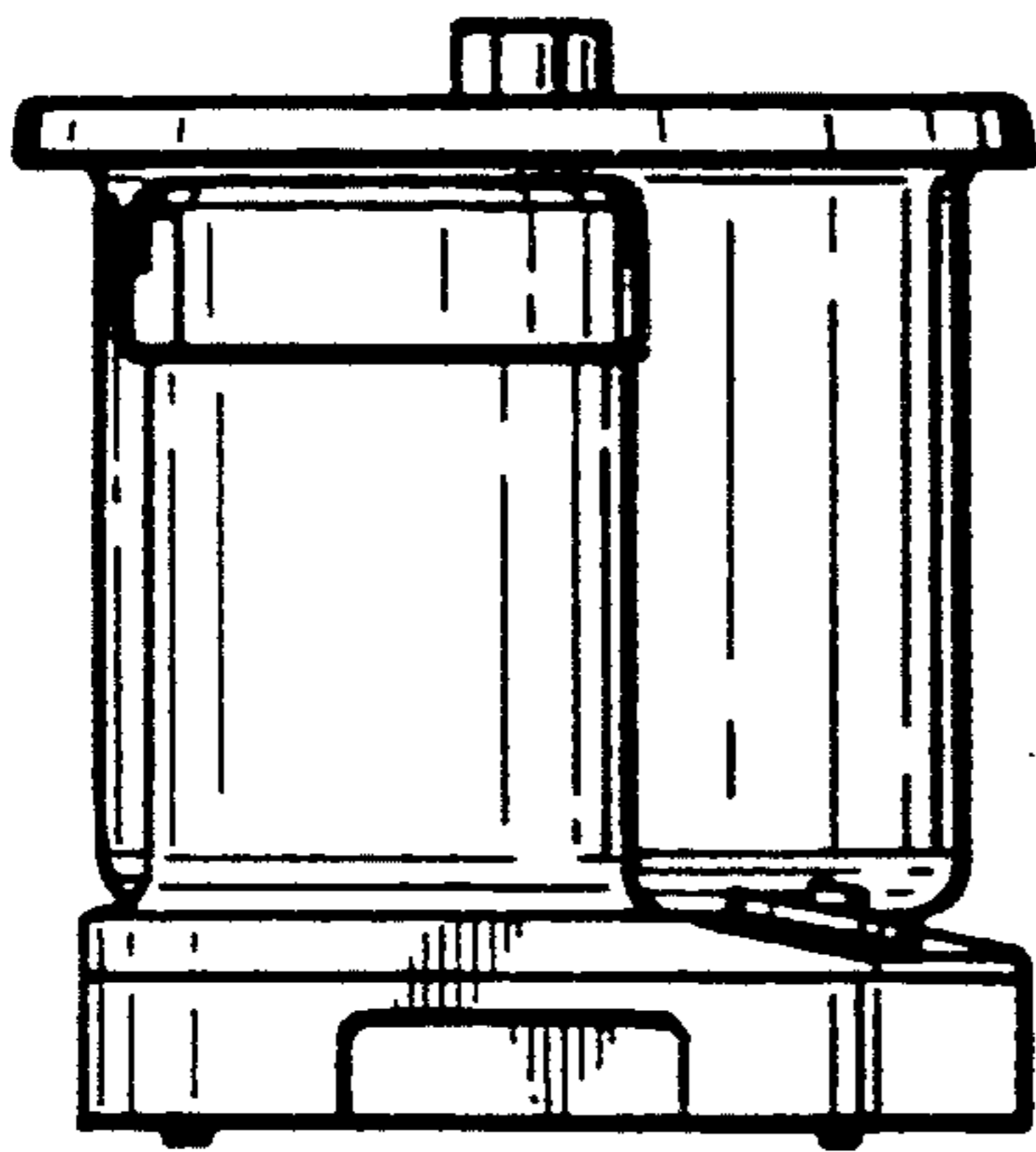


FIG. 5

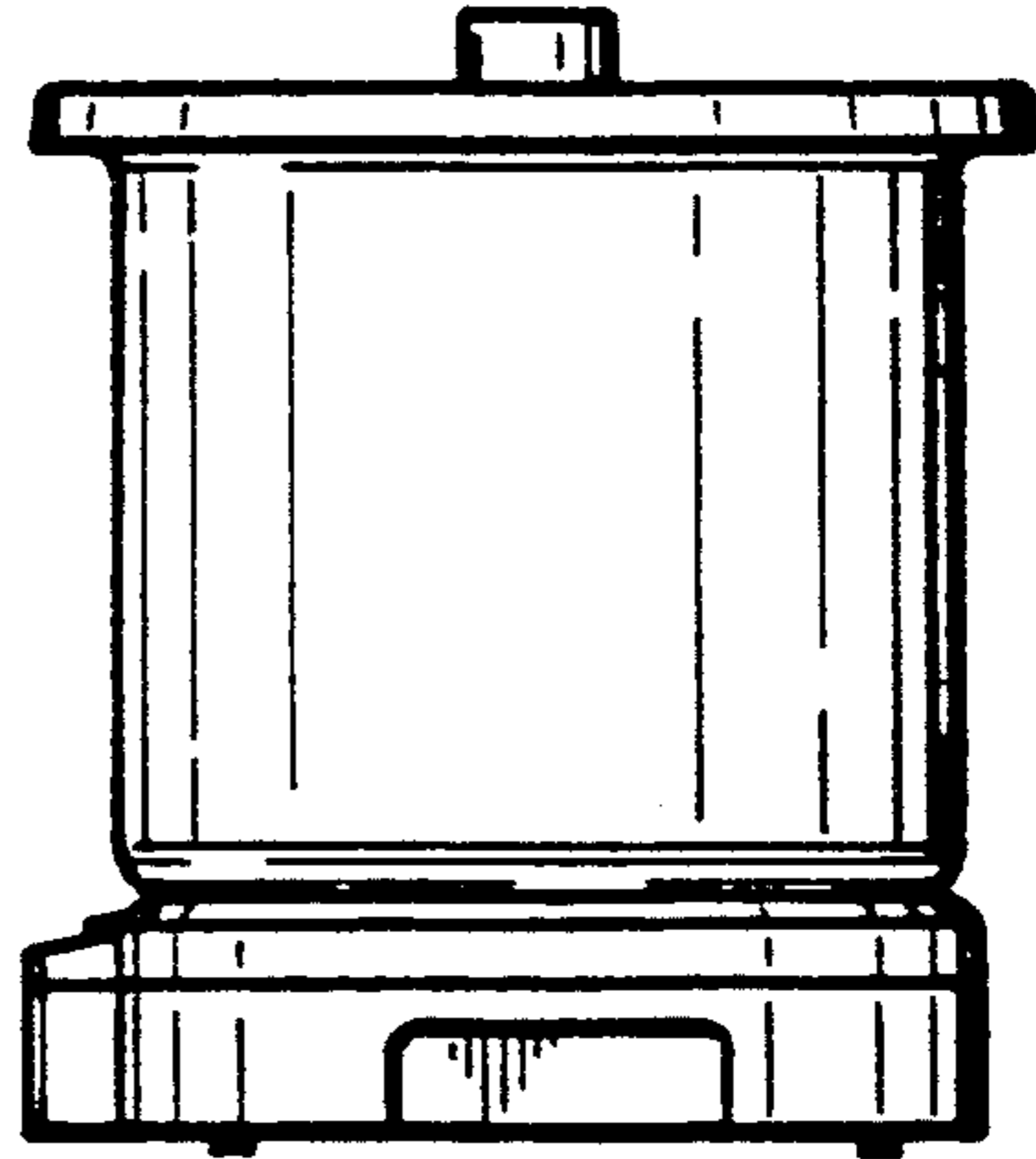


FIG. 6

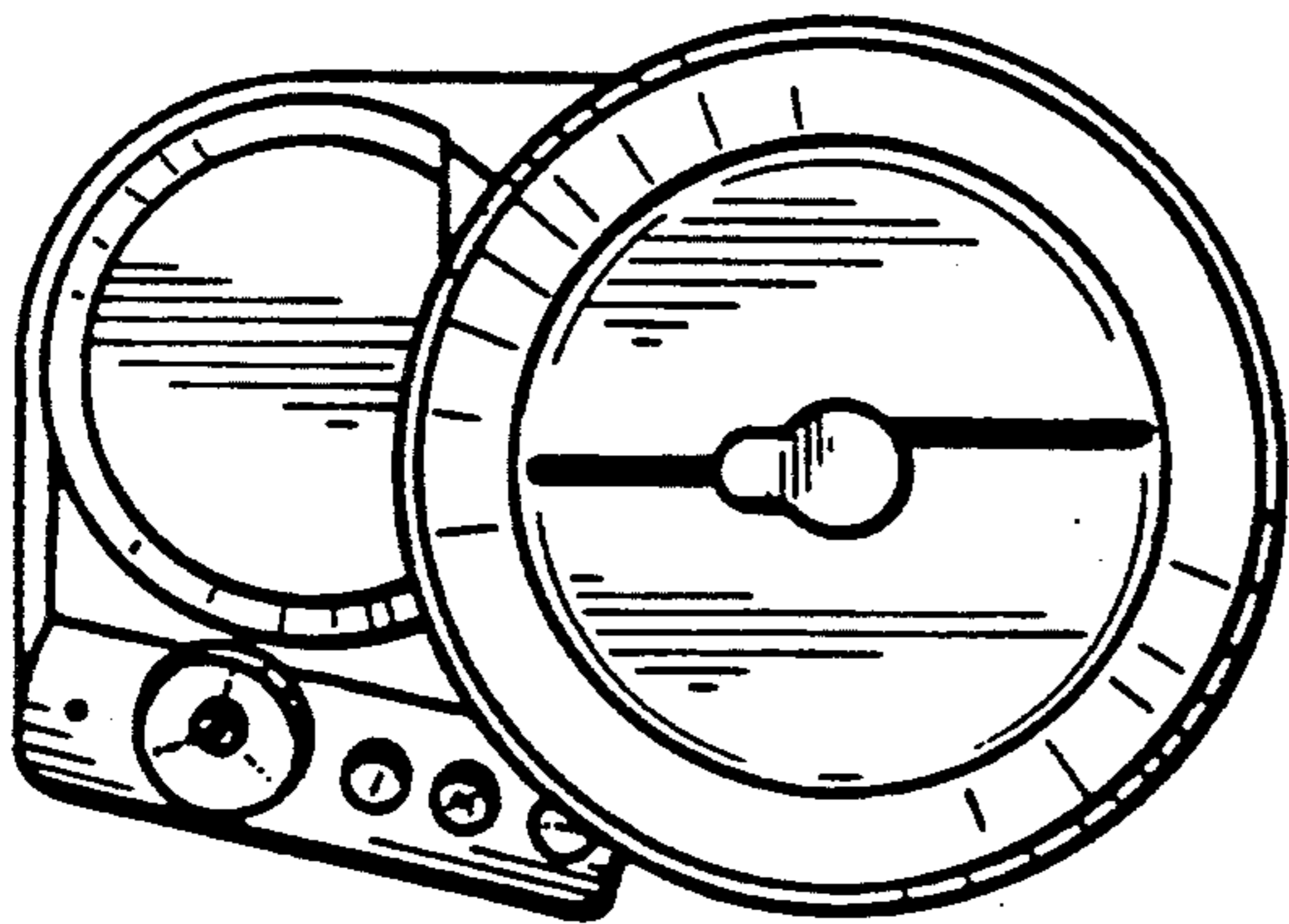


FIG. 7

