



US00D328992S

United States Patent [19]
Hollinger

[11] **Patent Number: Des. 328,992**

[45] **Date of Patent: ** Sep. 1, 1992**

[54] **TISSUE BOX**

4,580,695 4/1986 Lum 312/37

[75] **Inventor: Fred Hollinger, Kings Park, N.Y.**

[73] **Assignee: Creative Bath Products, Inc.,
Brentwood, N.Y.**

[**] **Term: 14 Years**

[21] **Appl. No.: 502,017**

[22] **Filed: Mar. 29, 1990**

[52] **U.S. Cl. D6/518**

[58] **Field of Search D6/515-518;
206/804, 812; 211/13, 45, 49.1; 221/22, 33, 38,
45, 282-286; 312/37-38**

[56] **References Cited**

U.S. PATENT DOCUMENTS

- D. 195,096 4/1963 Broeren et al. D6/518
- D. 205,721 9/1966 O'Neil D6/518
- D. 254,898 5/1980 Buerk D6/518

OTHER PUBLICATIONS

Paul Associates catalogue (1983) p. 41, Tissue Dis-
penser #1505.

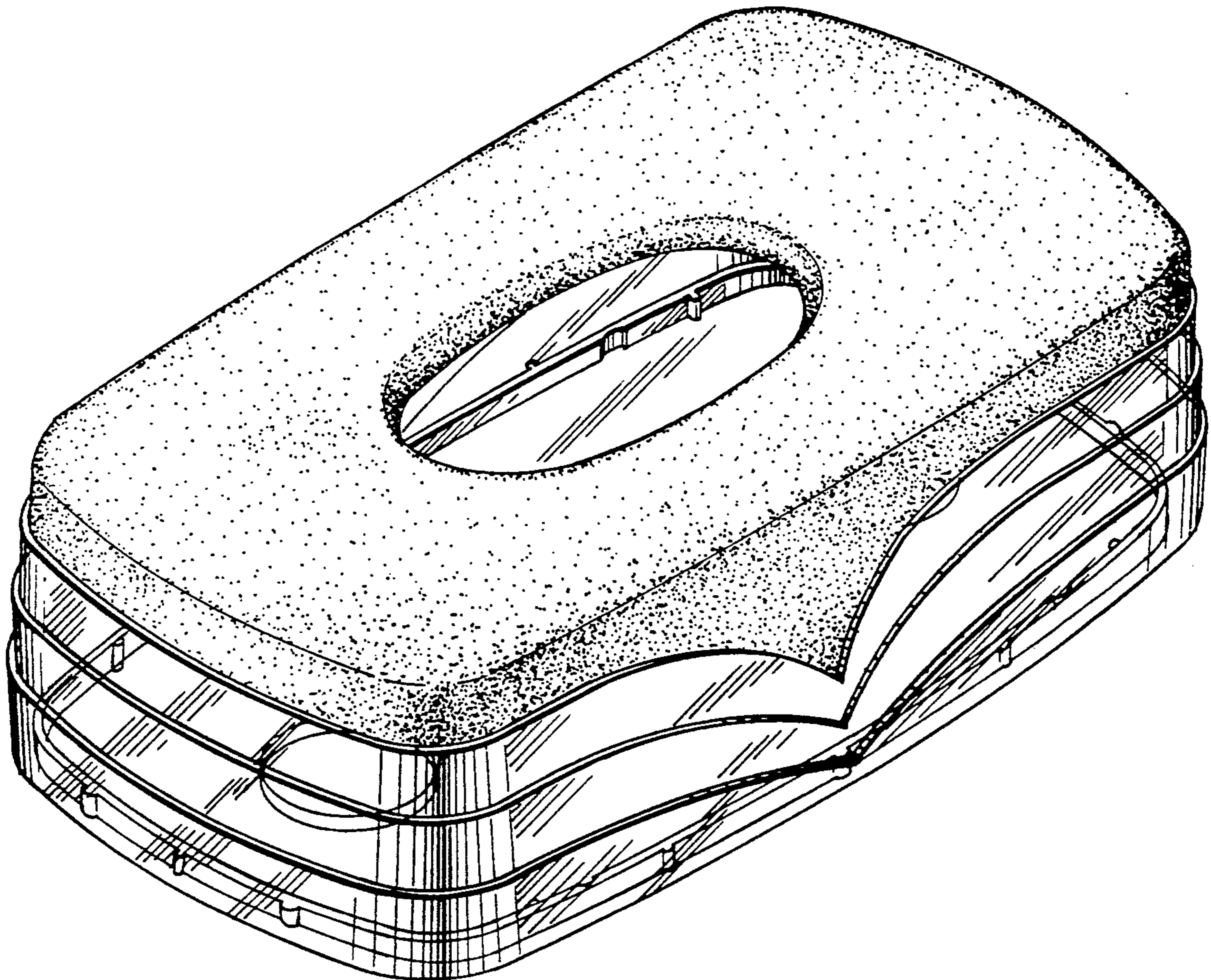
Primary Examiner—Brian N. Vinson
Attorney, Agent, or Firm—Gerard F. Dunne

[57] **CLAIM**

The ornamental design for a tissue box, as shown and
described.

DESCRIPTION

FIG. 1 is a top, front, and left side perspective view of
a tissue box showing my new design;
FIG. 2 is a top plan view thereof;
FIG. 3 is a side elevational view thereof, the opposite
side being identical in appearance;
FIG. 4 is a front elevational view thereof, the rear being
identical in appearance; and,
FIG. 5 is a bottom plan view thereof.



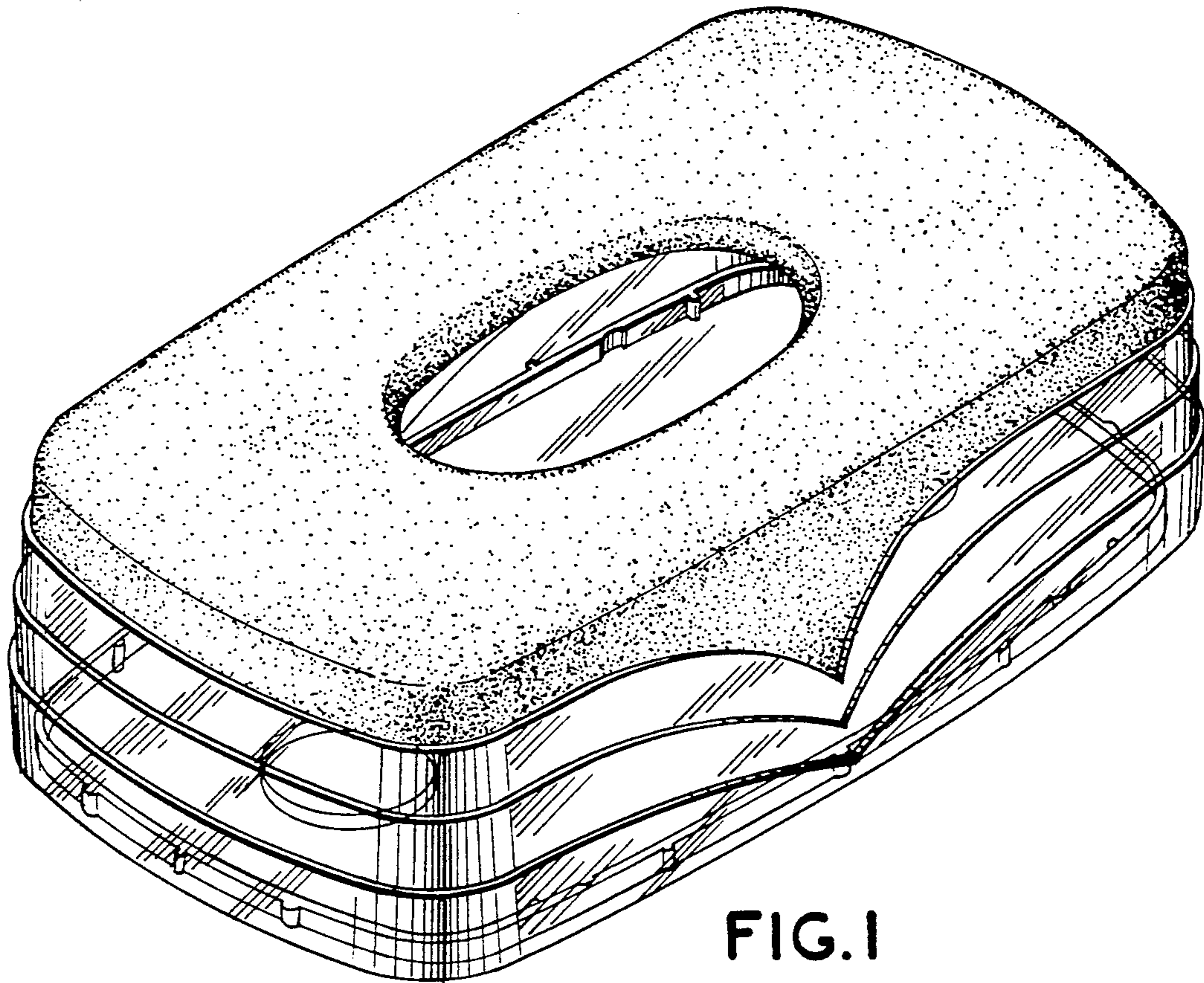


FIG. 1

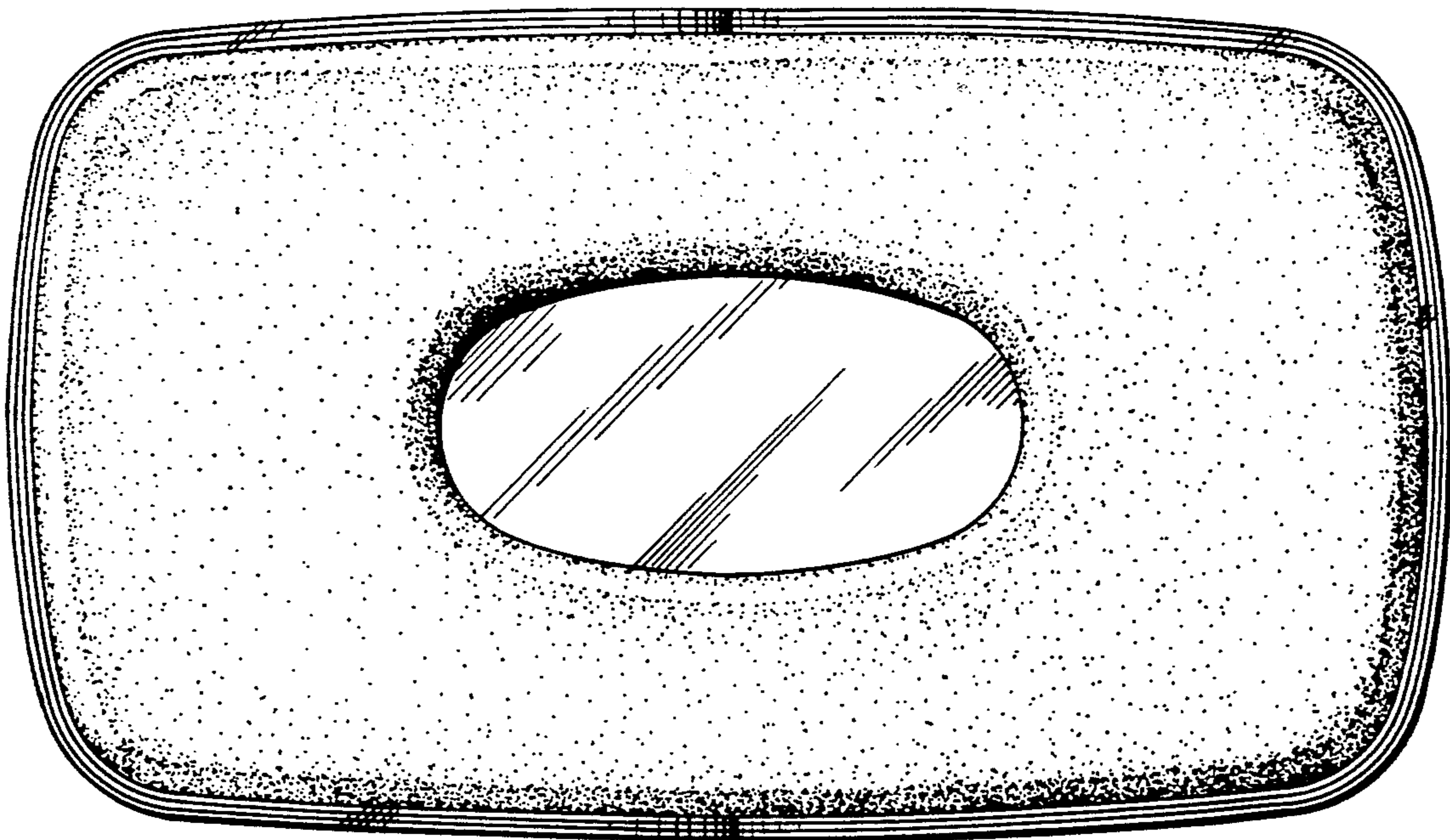


FIG. 2

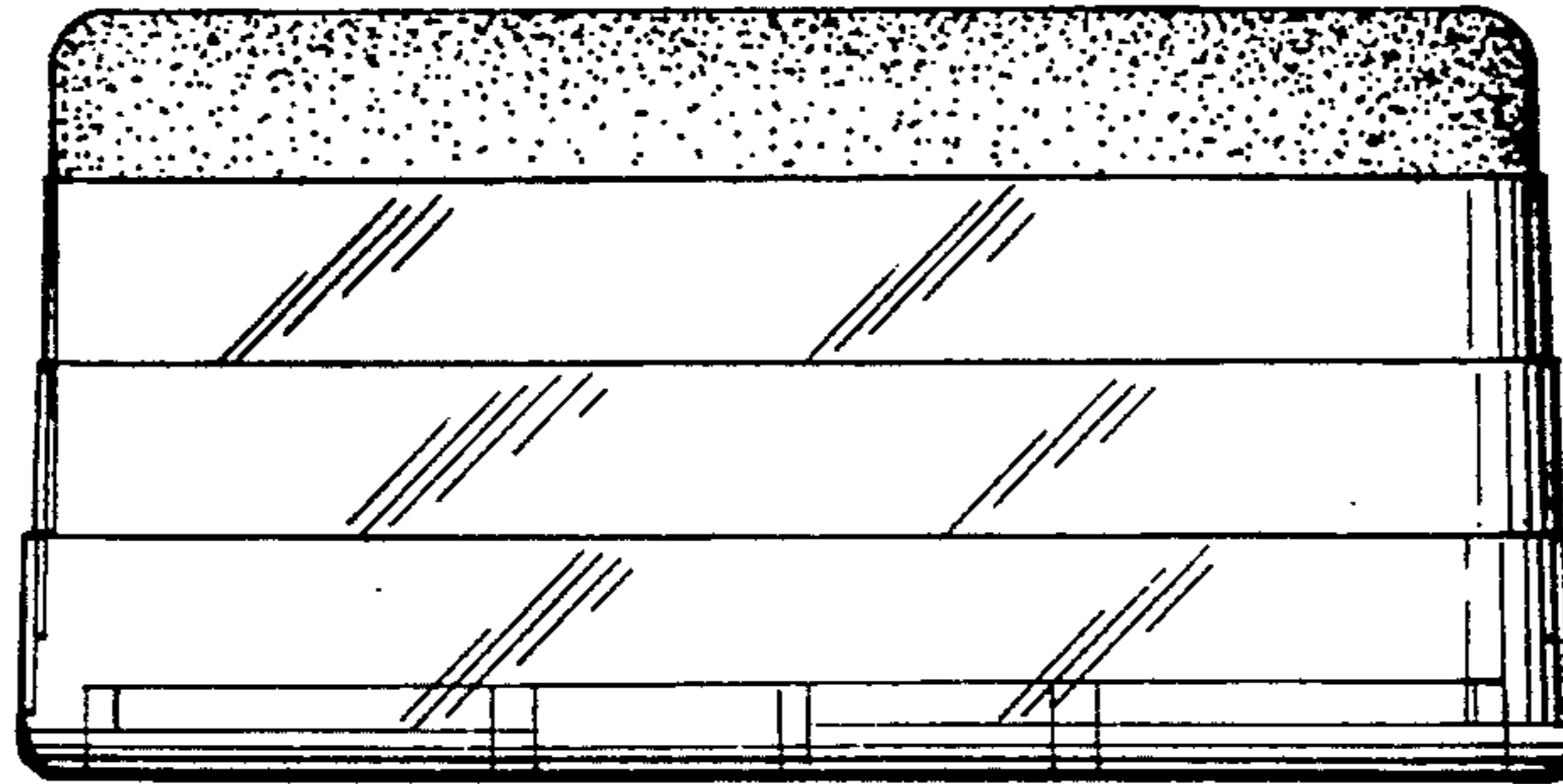


FIG. 3

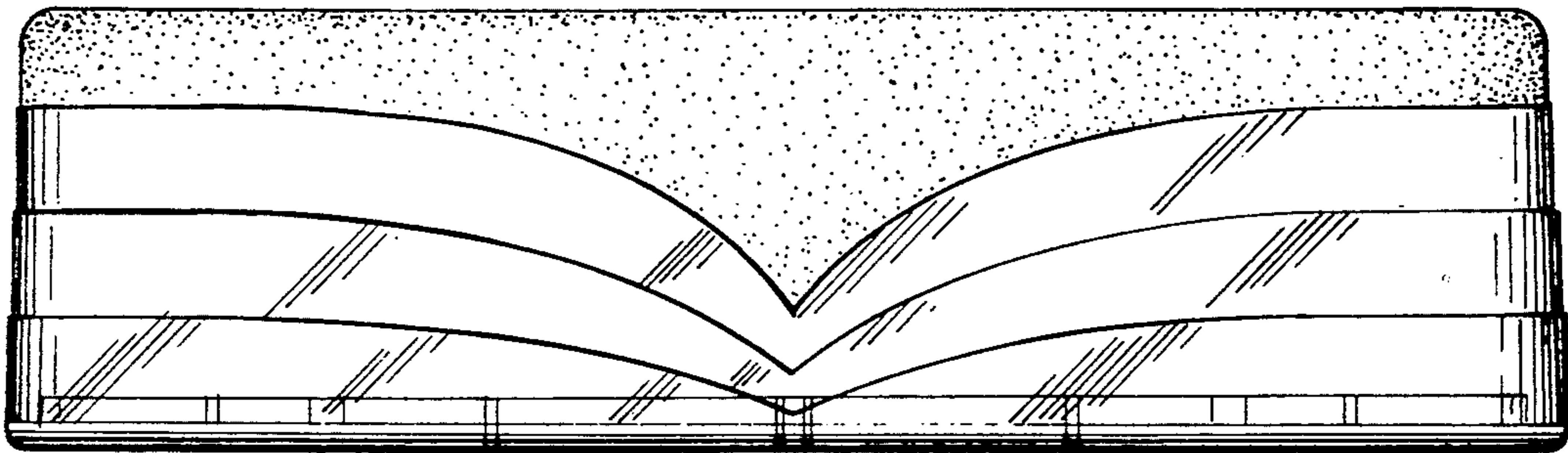


FIG. 4

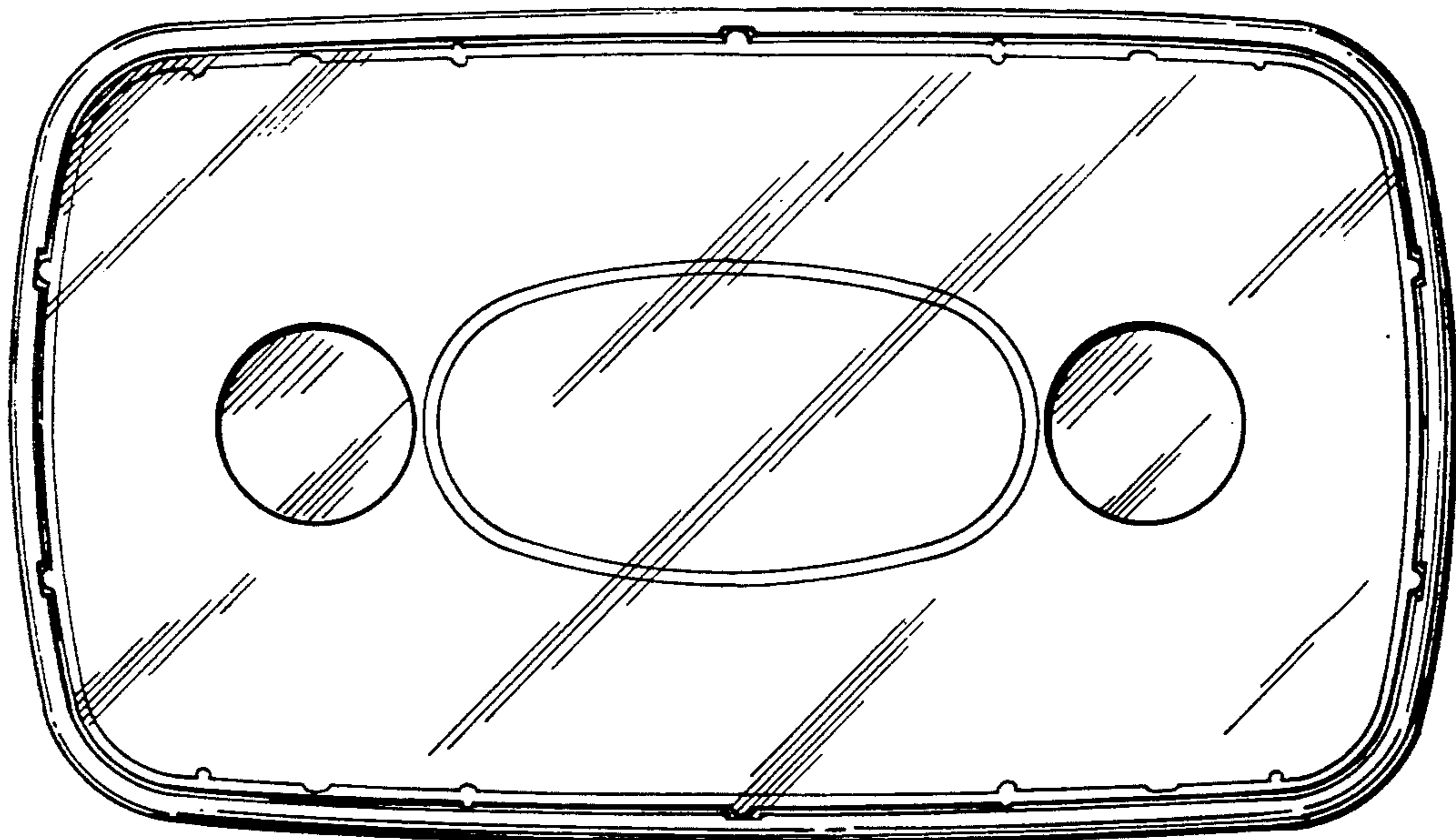


FIG. 5