



US00D328989S

United States Patent [19]

Leonard

[11] Patent Number: **Des. 328,989**

[45] Date of Patent: **** Sep. 1, 1992**

[54] STEREO STAND

[76] Inventor: **Miranda Leonard, 492 Beacon St., Boston, Mass. 02115**

[**] Term: **14 Years**

[21] Appl. No.: **533,046**

[22] Filed: **Jun. 4, 1990**

[52] U.S. Cl. **D6/477; D6/468; D6/469**

[58] Field of Search **D6/396, 449, 455, 457, D6/460, 461, 462, 464, 465, 466, 467, 468, 469, 470-472, 477-479; 211/13, 187, 186, 188, 133, 126; 248/676; 108/106-108, 111**

[56] **References Cited**

U.S. PATENT DOCUMENTS

D. 149,205	4/1948	Newman	D6/472 X
D. 154,677	8/1949	Hawkins	D6/470 X
D. 157,024	1/1950	Bacco et al.	D6/474 X
D. 167,948	10/1952	McKenna	D6/471
D. 171,606	3/1954	MacAleese	D6/470
D. 174,700	5/1955	Magnuson et al.	D6/474 X
D. 229,652	12/1973	Brooke, Jr.	D6/470
D. 249,857	10/1978	Adkinson	D6/477

D. 264,289	5/1982	Klein	D6/477
D. 264,787	6/1982	Savas	D6/474
D. 286,834	11/1986	Wilken	D6/474 X

OTHER PUBLICATIONS

View Rite catalog dated Feb. 1986, Floor Fixtures, top of p. Item AX-Z.

Primary Examiner—Donald P. Walsh

Assistant Examiner—Jeffrey Asch

Attorney, Agent, or Firm—Townsend and Townsend

[57] CLAIM

The ornamental design for a stereo stand, as shown and described.

DESCRIPTION

FIG. 1 is a perspective view of a stereo stand showing my new design;

FIG. 2 is a top plan view thereof;

FIG. 3 is a bottom plan view thereof;

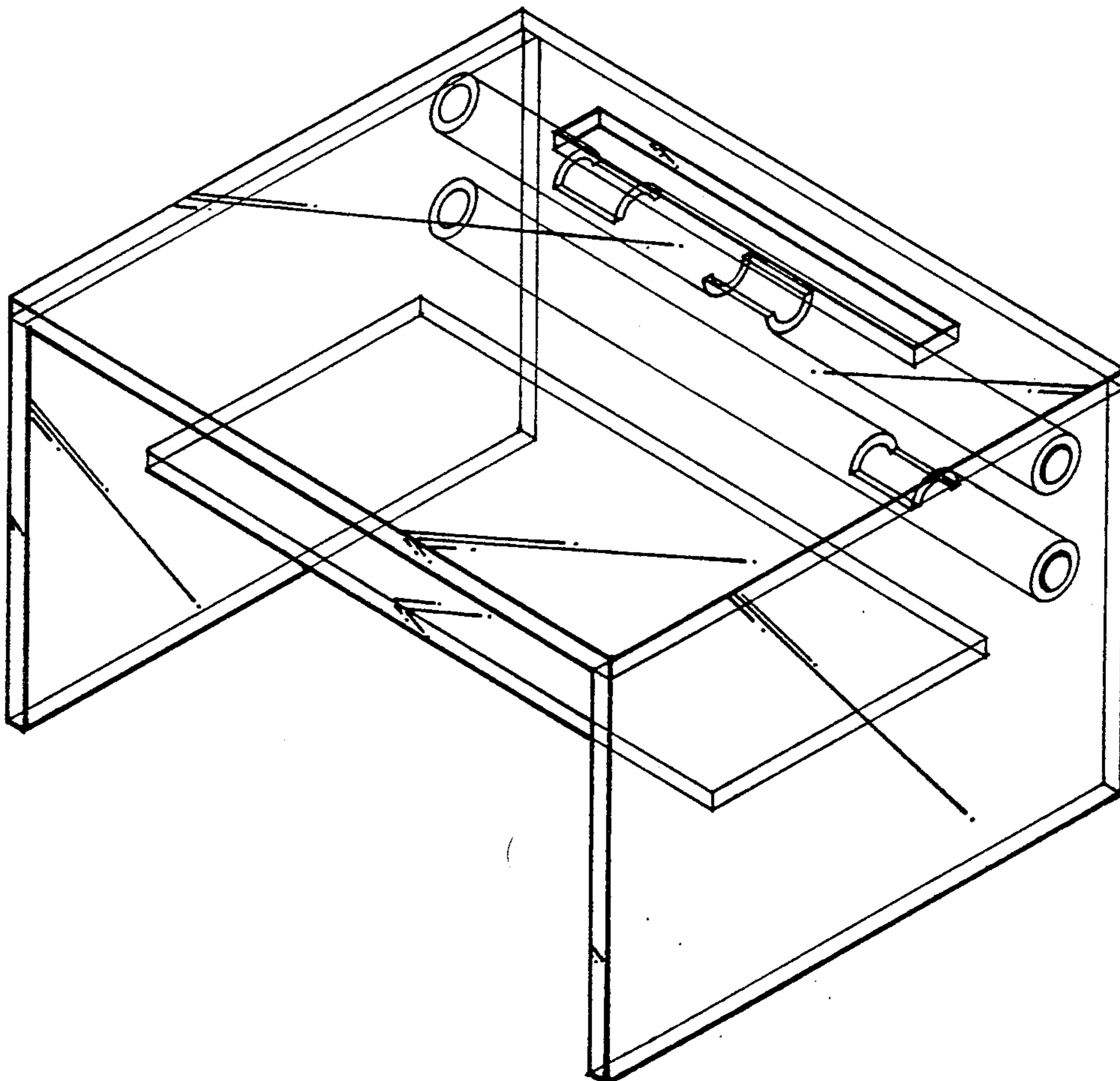
FIG. 4 is a front elevational view thereof;

FIG. 5 is a rear elevational view thereof;

FIG. 6 is a right side elevational view thereof; and,

FIG. 7 is a left side elevational view thereof.

FIGS. 2-7 have been shown on a reduced scale with respect to FIG. 1.



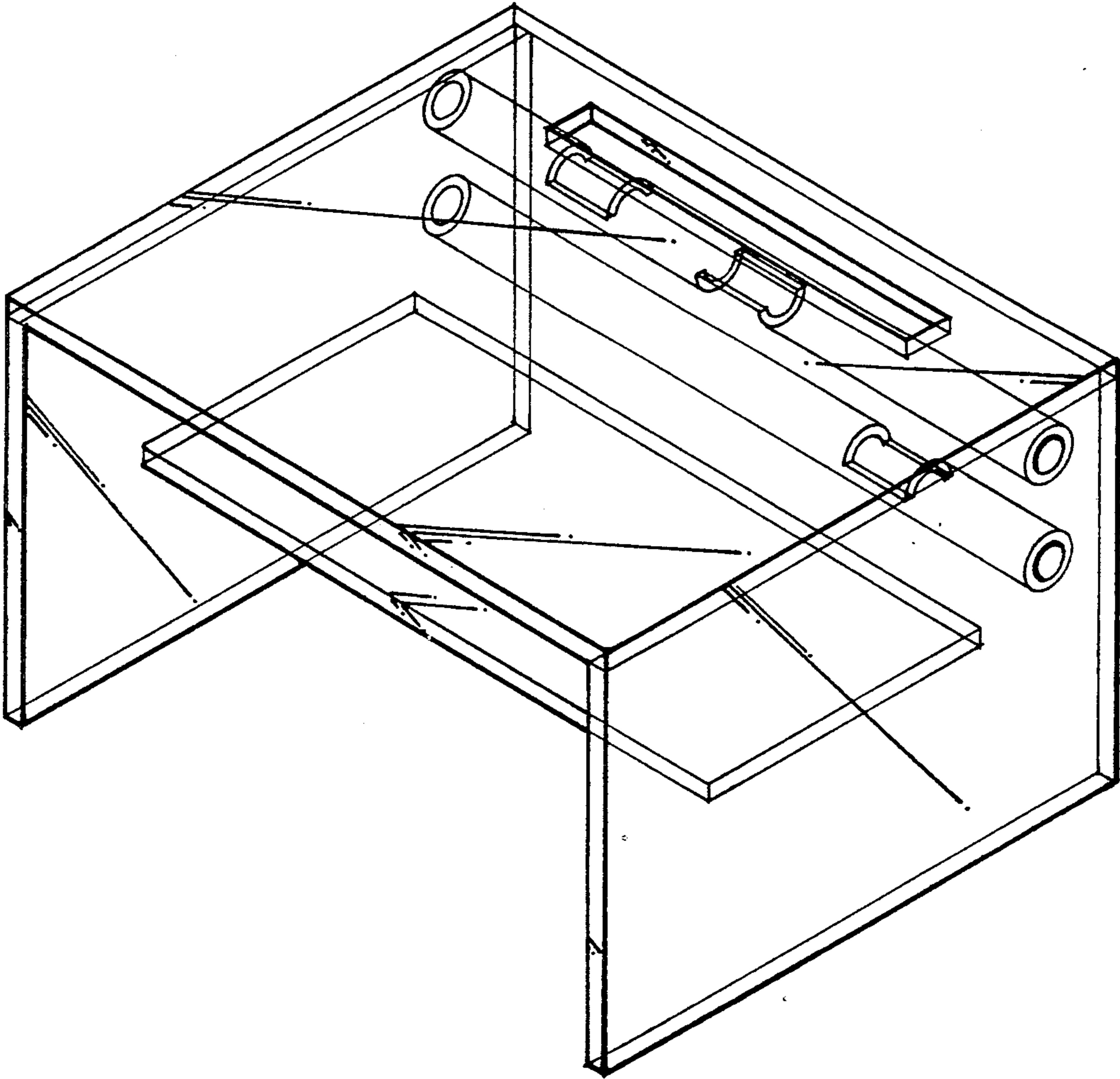


FIG. 1.

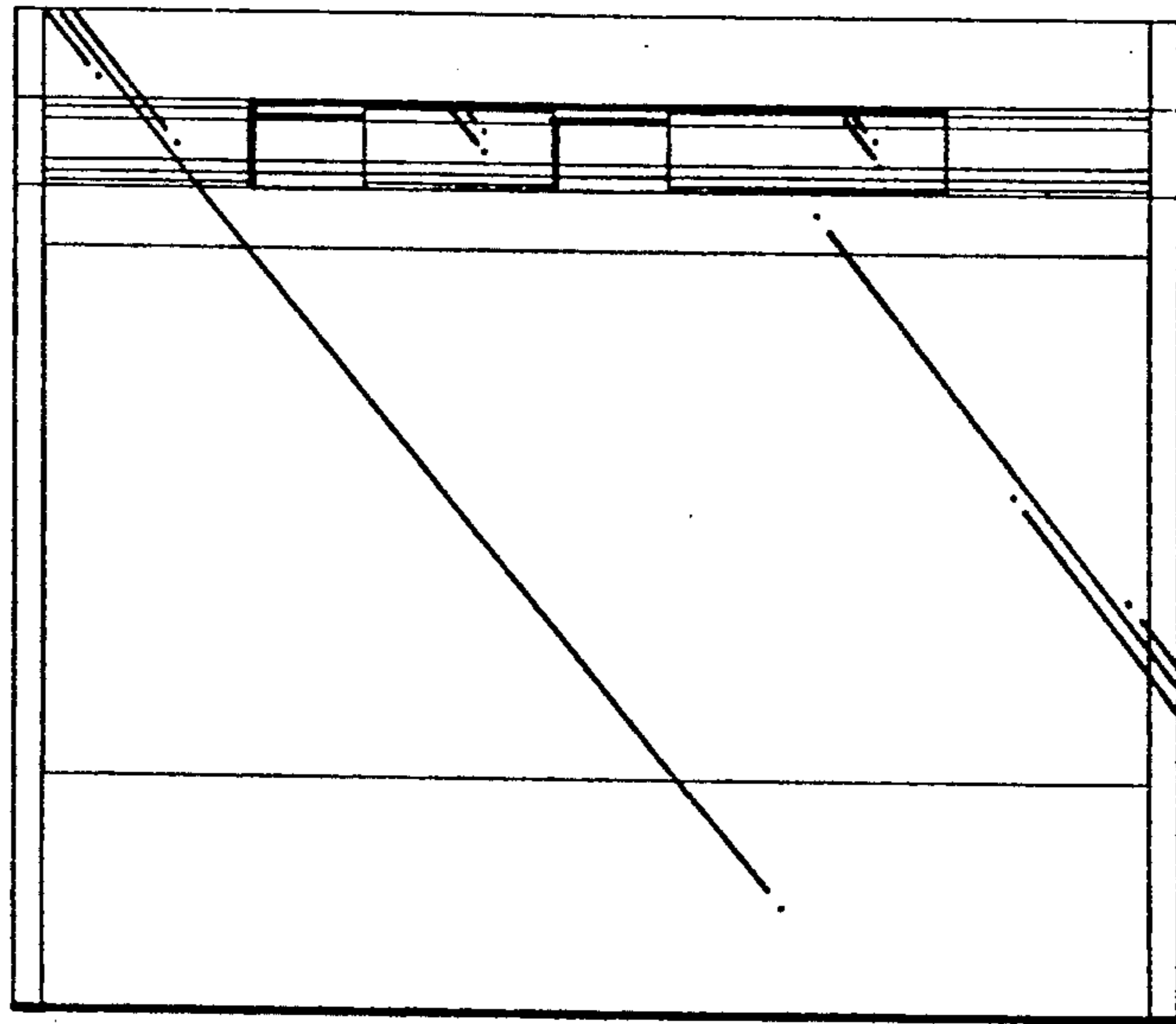


FIG. 2.

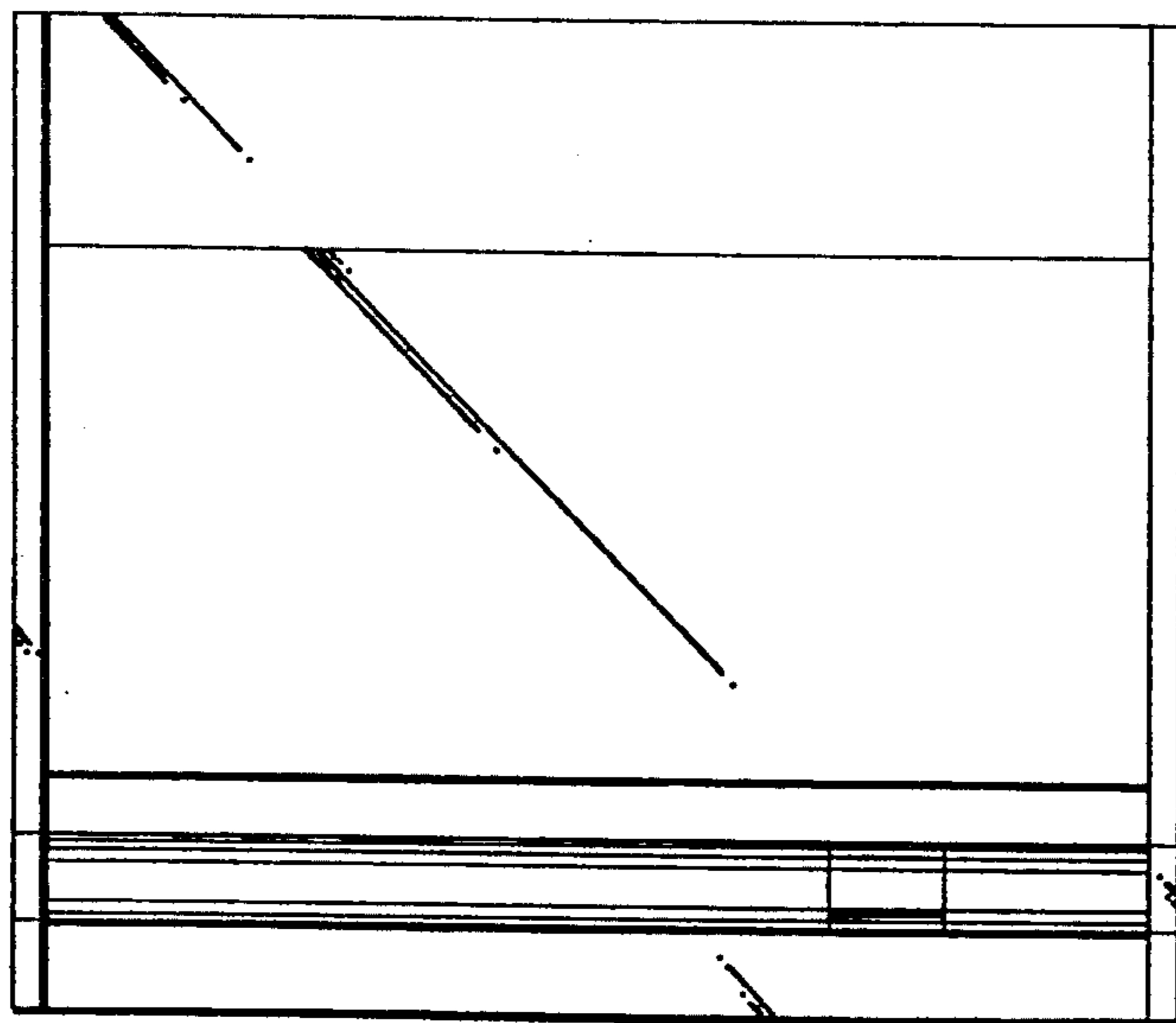


FIG. 3.

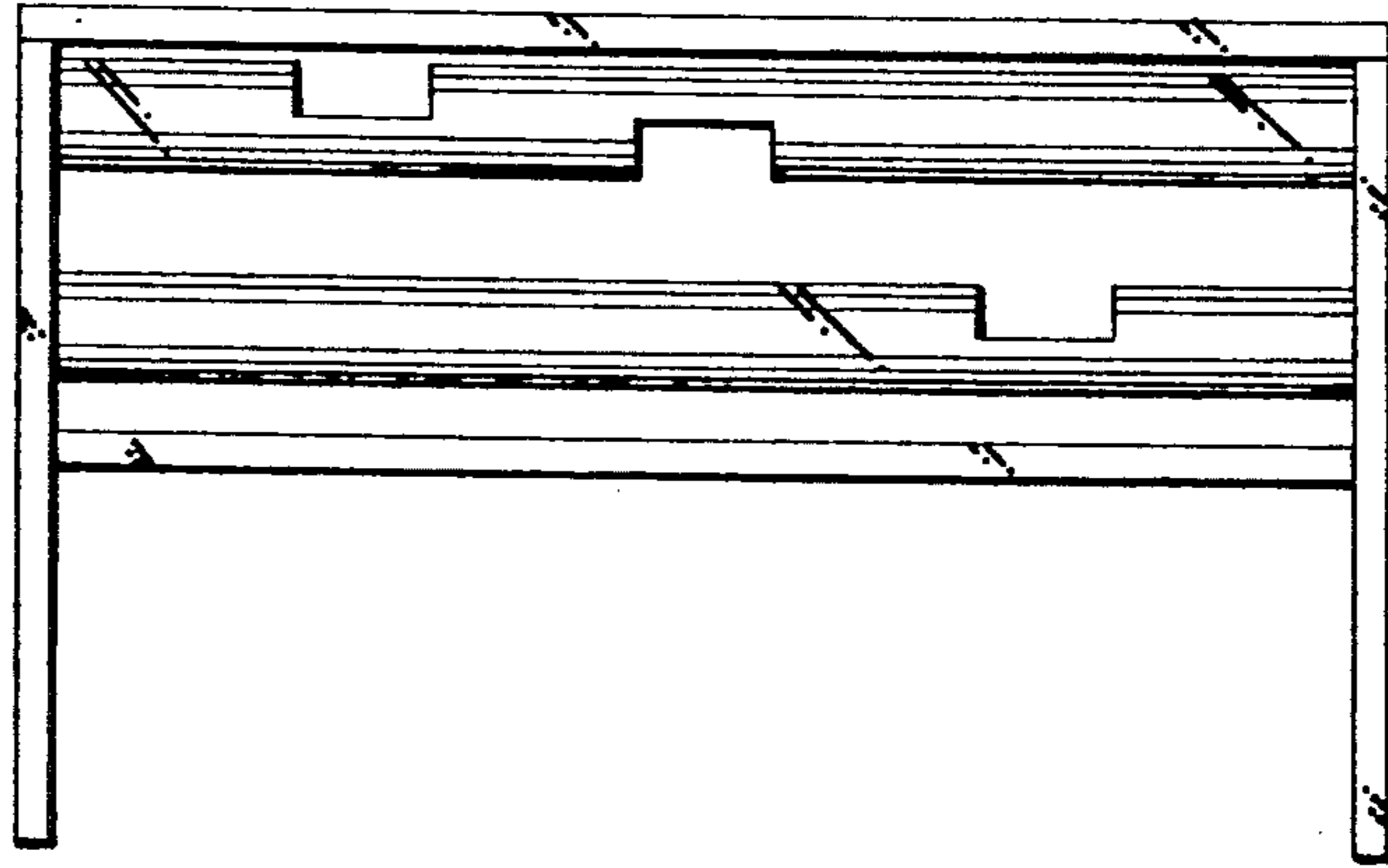


FIG. 4.

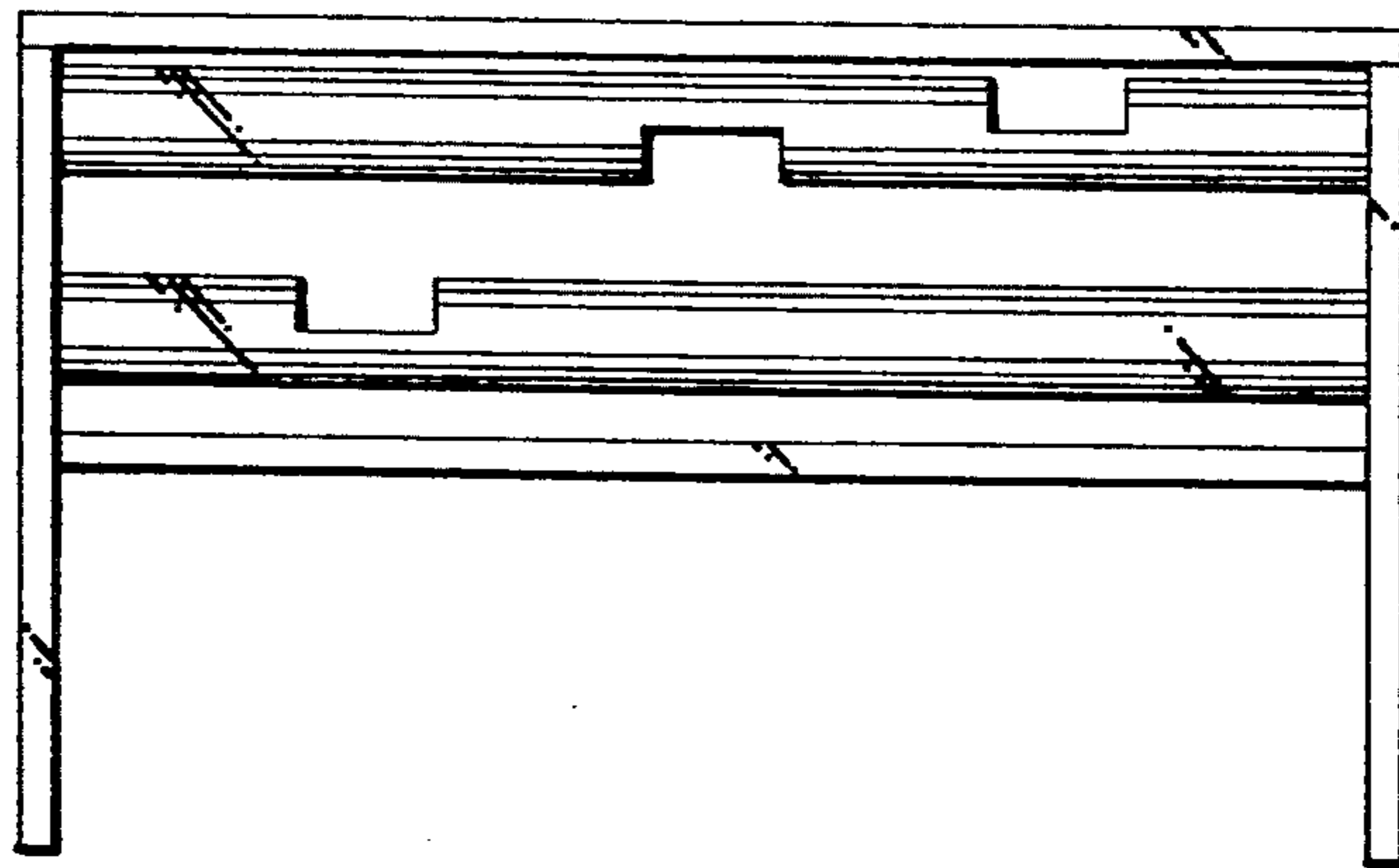


FIG. 5.

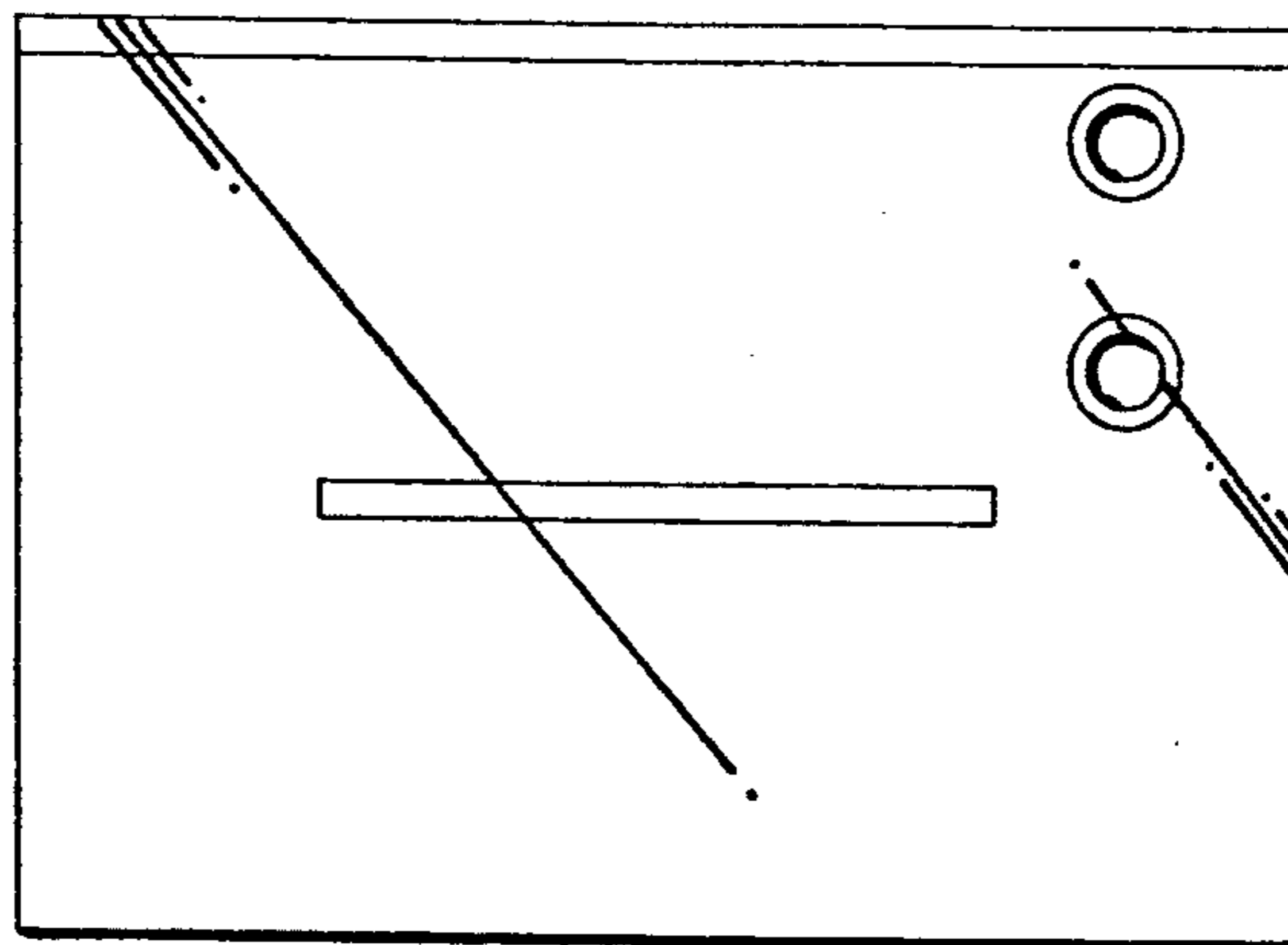


FIG._6.

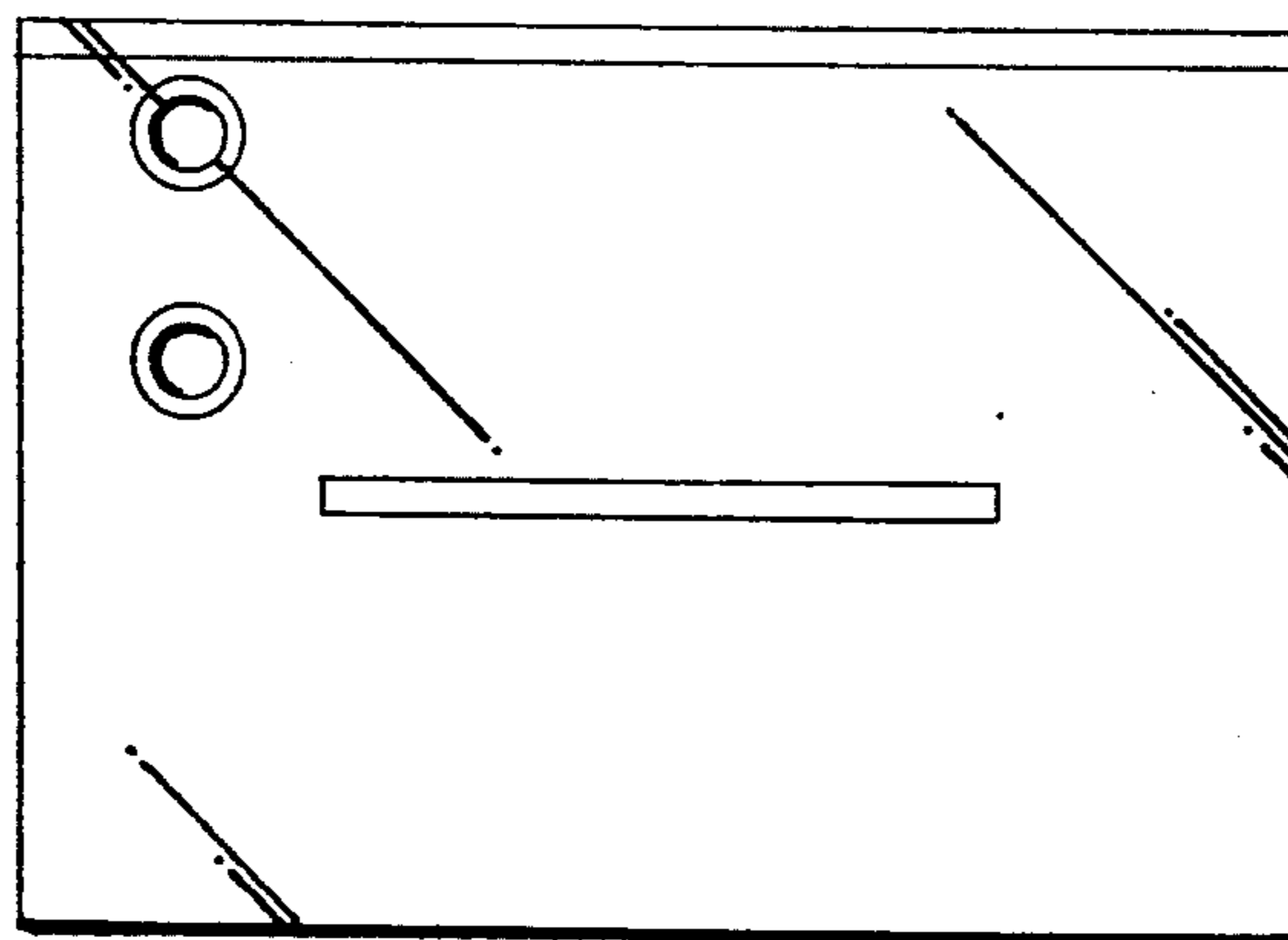


FIG._7.