



US00D328986S

United States Patent [19] Lightfoot

[11] Patent Number: **Des. 328,986**

[45] Date of Patent: **** Sep. 1, 1992**

[54] **MODULAR DISPLAY RACK**

[75] Inventor: **David H. Lightfoot, London, England**

[73] Assignee: **Techstyle Products Limited, London, England**

[**] Term: **14 Years**

[21] Appl. No.: **587,423**

[22] Filed: **Sep. 24, 1990**

[52] U.S. Cl. **D6/407; D6/462**

[58] Field of Search **D6/407, 462, 463, 464; 211/13, 40, 41, 42, 43; D3/35**

[56] **References Cited**

U.S. PATENT DOCUMENTS

- D. 283,472 4/1986 Wattles D6/473 X
- D. 309,998 8/1990 Sumrell et al. D6/407 X

- D. 316,113 4/1991 Hawes, Jr. et al. D19/90
- D. 322,724 12/1991 Stravitz D6/407
- 2,620,929 12/1952 Spartsman 211/43 X
- 3,391,793 7/1968 Strauli 211/43

FOREIGN PATENT DOCUMENTS

- 261537 11/1926 United Kingdom 211/43

Primary Examiner—Carmen H. Vales-Lado
Attorney, Agent, or Firm—Michael O. Warnecke

[57] **CLAIM**

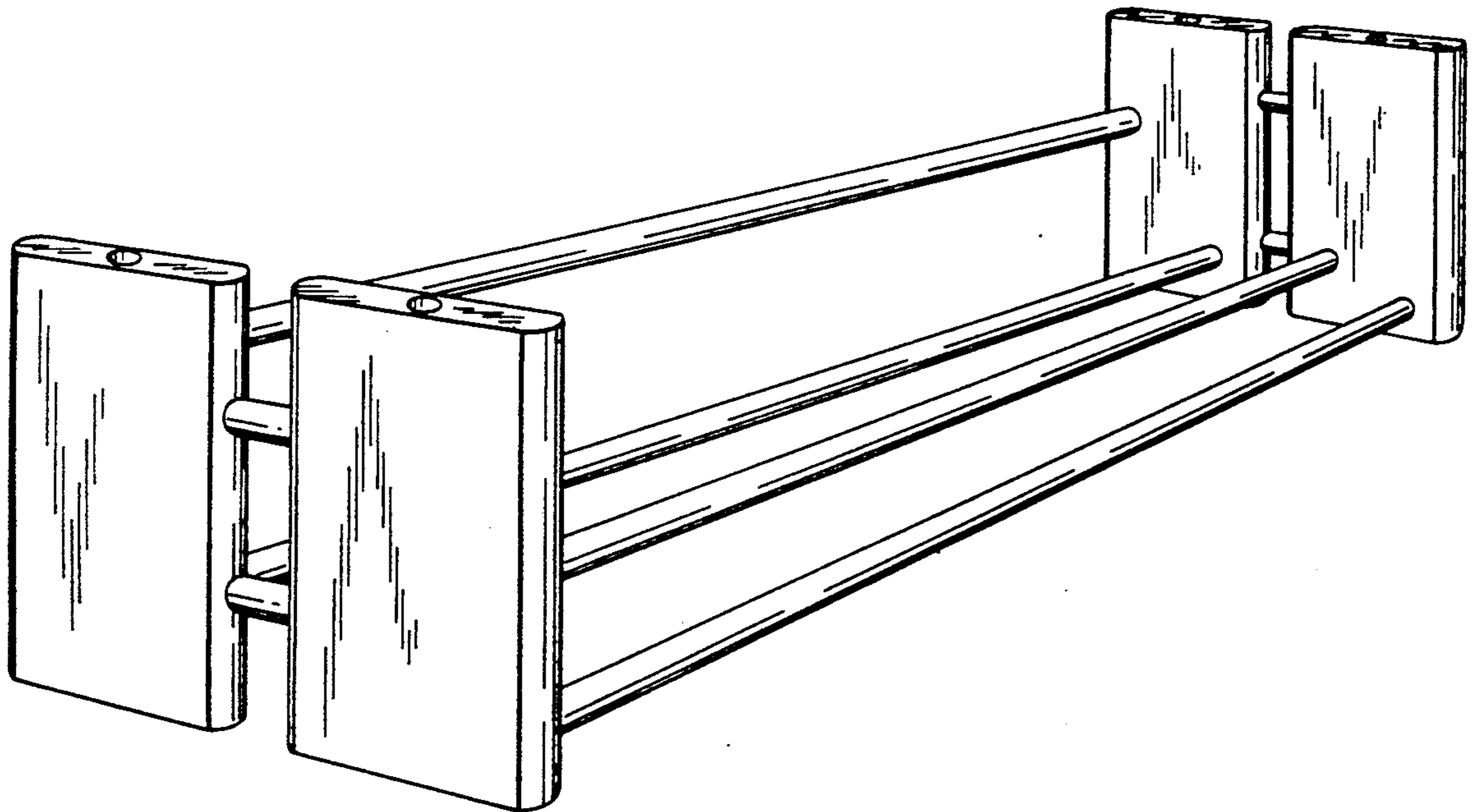
The ornamental design for the modular display rack, as shown and described.

DESCRIPTION

FIG. 1 is a front perspective view of a modular display rack showing my new design;

FIG. 2 is a top plan view, the bottom being identical thereto; and,

FIG. 3 is a side perspective view thereof.



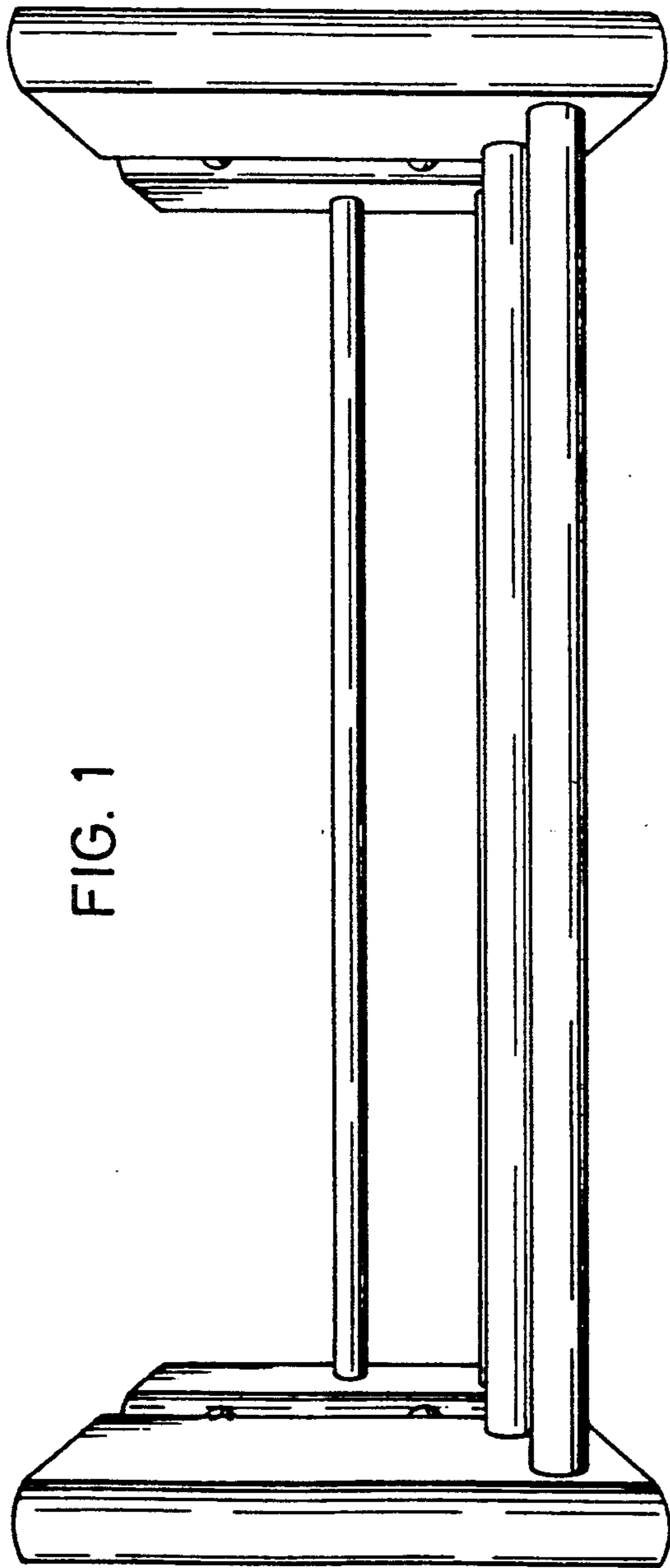


FIG. 1

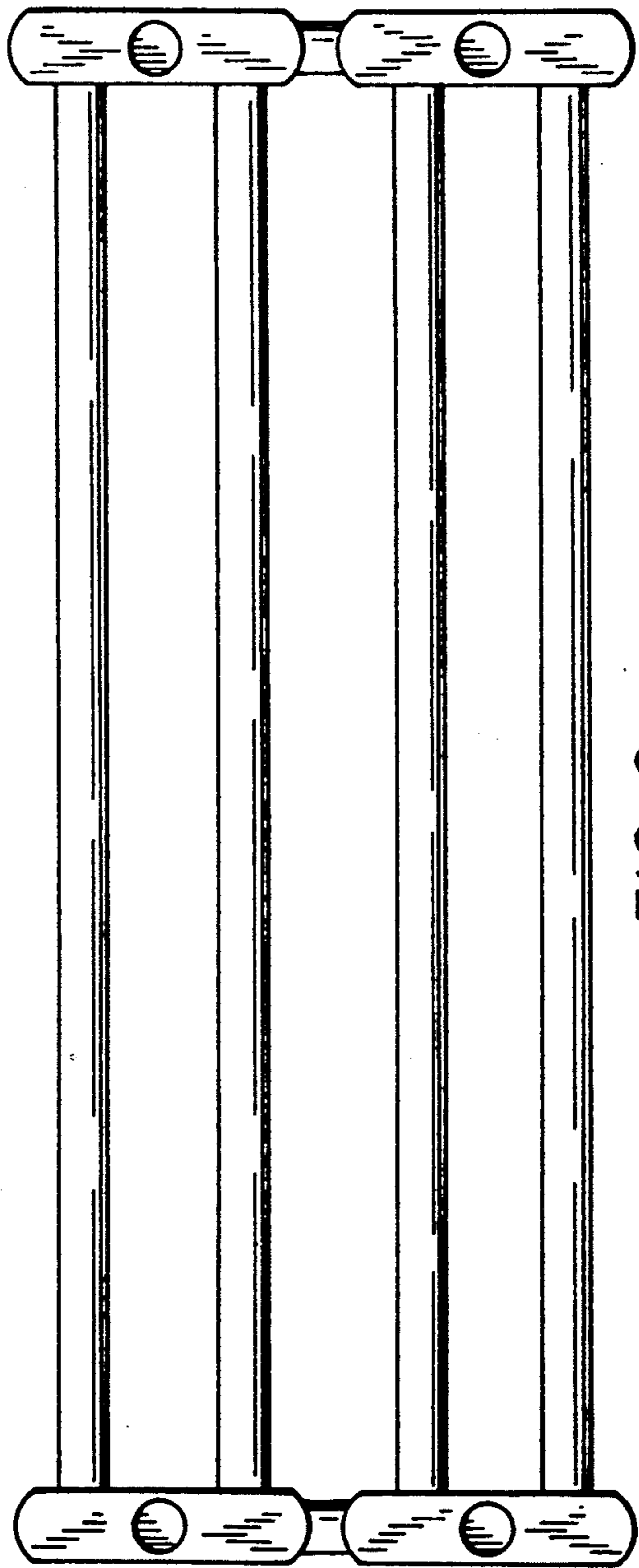


FIG. 2

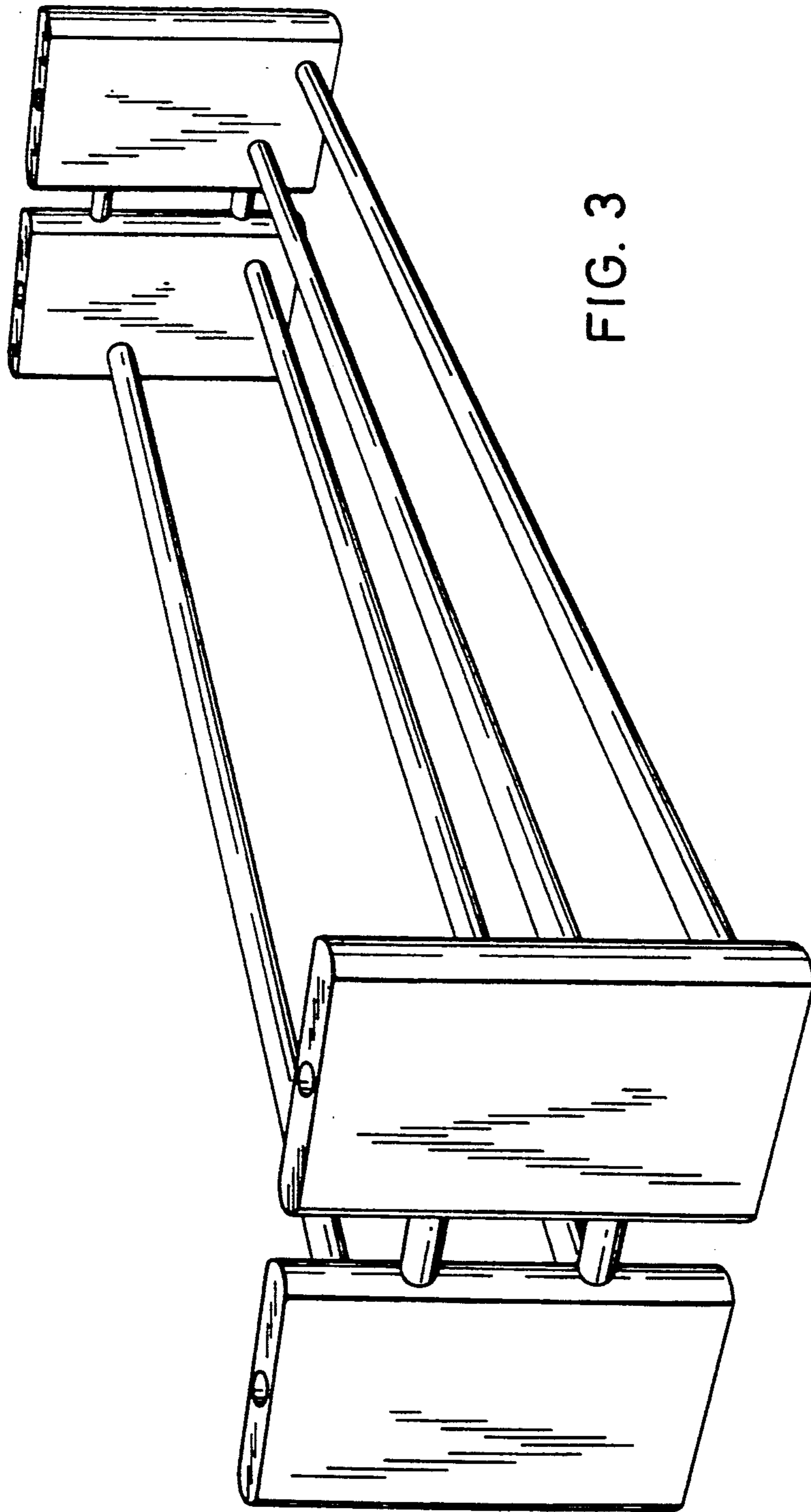


FIG. 3