



US00D328980S

United States Patent [19]

[11] Patent Number: **Des. 328,980**

Buchacz

[45] Date of Patent: **** Sep. 1, 1992**

[54] CHAIR

[76] Inventor: **Jurek Buchacz, "Lovli", 2360 Ringsaker, Norway**

[*] Notice: **The portion of the term of this patent subsequent to May 26, 2006 has been disclaimed.**

[**] Term: **14 Years**

[21] Appl. No.: **317,277**

[22] Filed: **Feb. 28, 1989**

[30] **Foreign Application Priority Data**

Sep. 2, 1988 [NO]	Norway	69625
[52] U.S. Cl.		D6/366
[58] Field of Search	D6/334, 364, 365, 366, D6/374, 375, 379, 500	

[56] **References Cited**

U.S. PATENT DOCUMENTS

D. 295,925	5/1988	Uredat-Neuhoff	D6/366
D. 296,624	7/1988	Bellini	D6/366
D. 296,735	7/1988	Hollington	D6/366
D. 311,286	10/1990	Muller-Deisig et al.	D6/366
D. 312,176	11/1990	Heidmann	D6/366

OTHER PUBLICATIONS

Interiors, Aug. 1984, p. 78, Sunar Hauserman, Ltd., Chair at far left bottom.

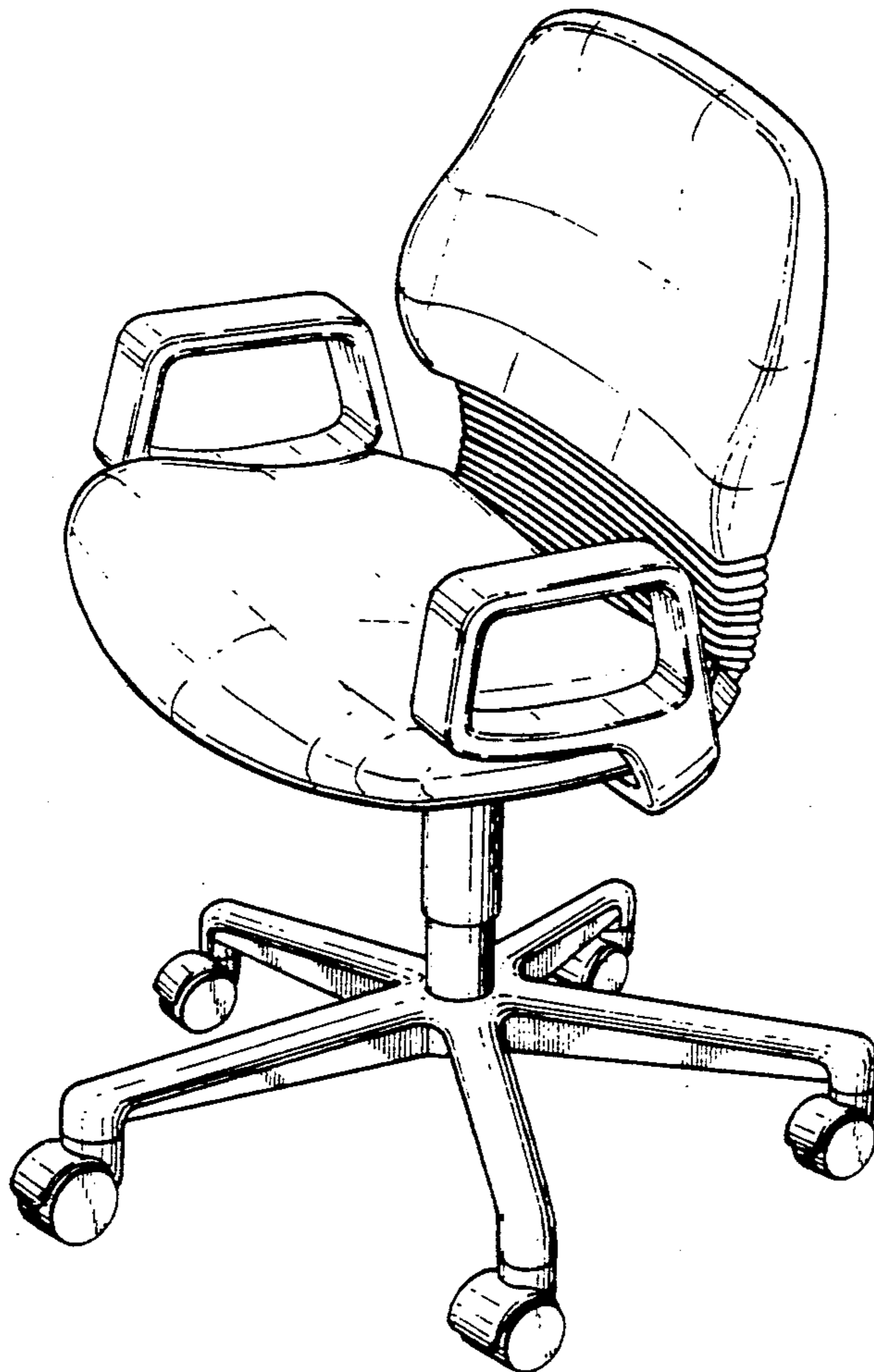
Primary Examiner—Donald P. Walsh
Assistant Examiner—Gary D. Watson
Attorney, Agent, or Firm—Browdy and Neimark

[57] **CLAIM**

The ornamental design for a chair, as shown.

DESCRIPTION

FIG. 1 is a right-front perspective view of a chair showing my new design;
FIG. 2 is a left side elevational view;
FIG. 3 is a rear elevational view; and,
FIG. 4 is a bottom plan view thereof.



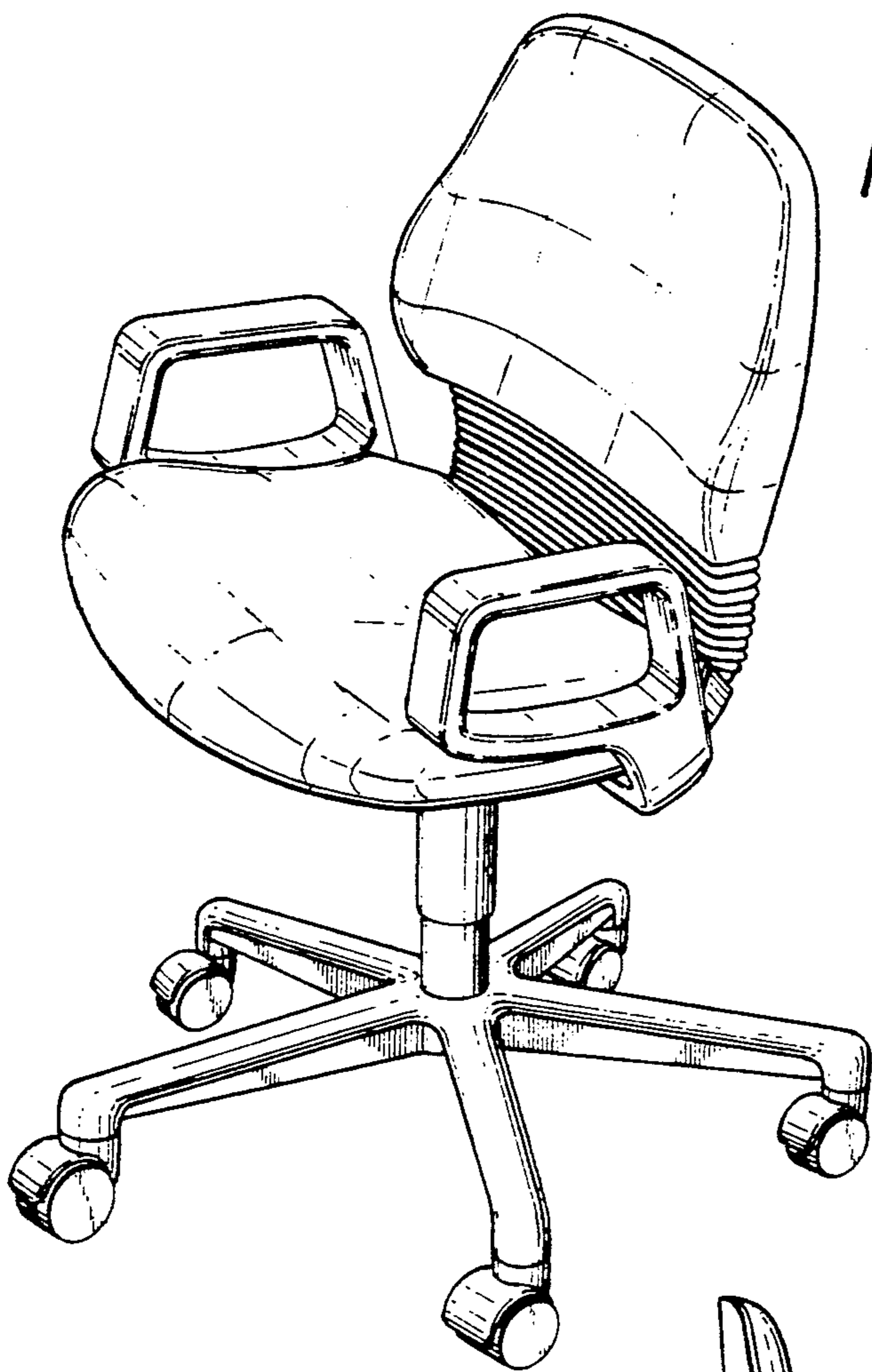


Fig. 1.

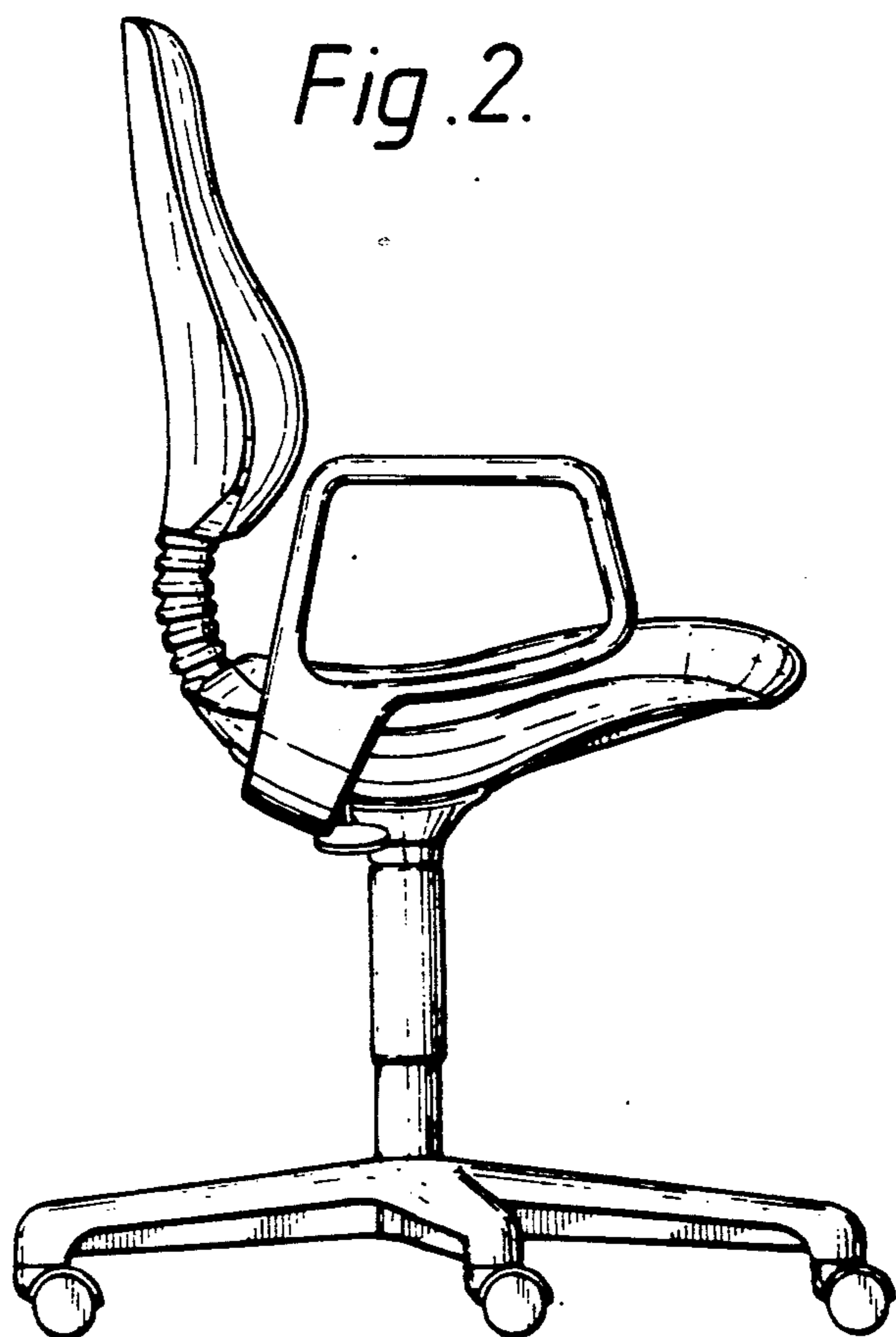


Fig. 2.

Fig. 3.

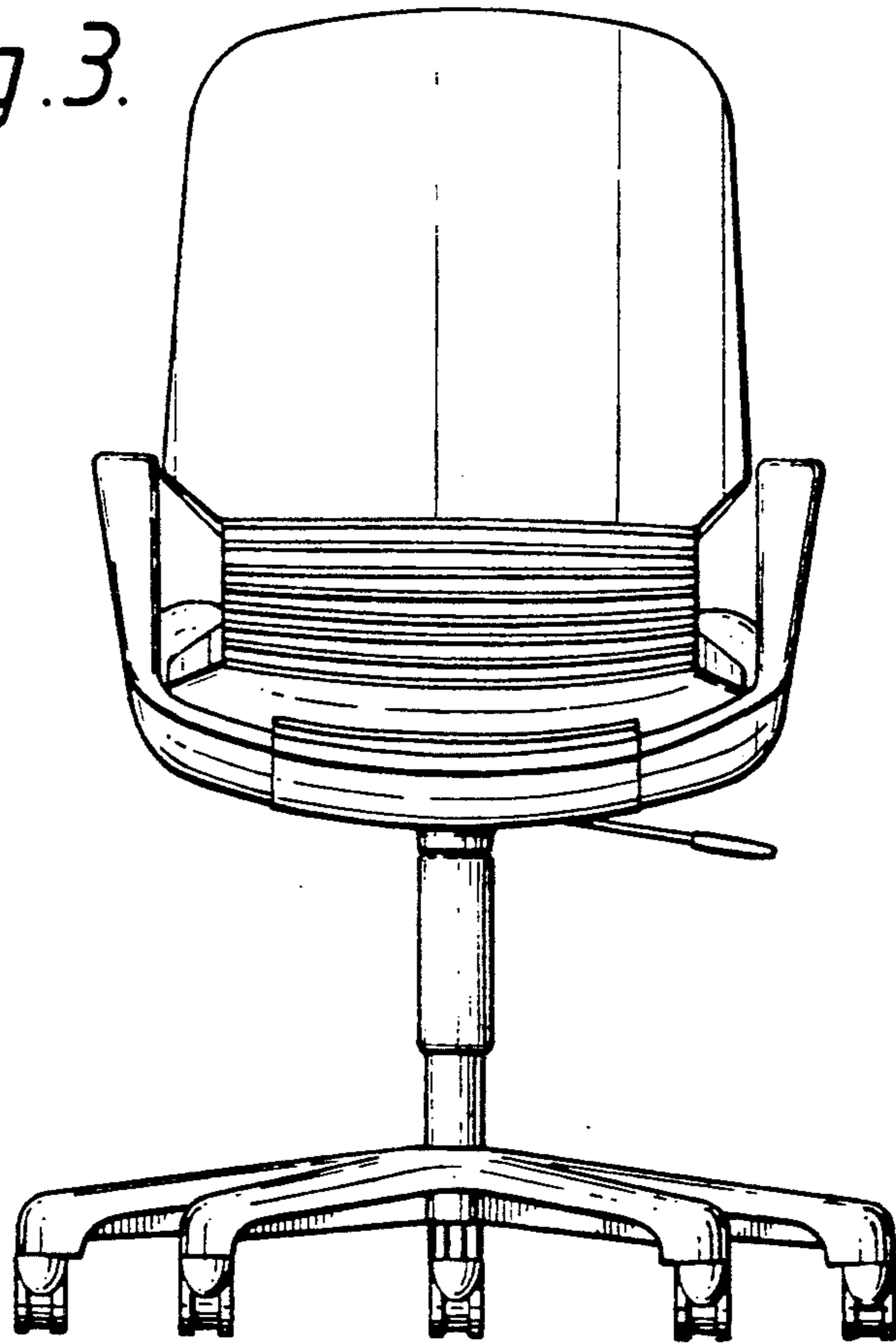


Fig. 4.

