



US00D328979S

United States Patent [19]

[11] Patent Number: **Des. 328,979**

Hunt

[45] Date of Patent: **** Sep. 1, 1992**

[54] GARMENT HANGER

4,729,498 3/1988 Blanchard 223/95

[76] Inventor: **William J. Hunt**, 97, Walmington Fold, Finchley, London N12,, England

FOREIGN PATENT DOCUMENTS

WO8604797 8/1986 World Int. Prop. O. 223/95

[**] Term: **14 Years**

Primary Examiner—B. J. Bullock
Attorney, Agent, or Firm—Ladas & Parry

[21] Appl. No.: **429,189**

[57] CLAIM

[22] Filed: **Oct. 30, 1989**

The ornamental design for a garment hanger, as shown.

[30] Foreign Application Priority Data

DESCRIPTION

May 2, 1989 [GB] United Kingdom 1059145

FIG. 1 is a front elevational view of a garment hanger showing my new design;

[52] U.S. Cl. **D6/326; D6/315**

FIG. 2 is a right end elevational view thereof;

[58] Field of Search **D6/315, 326; 211/113; 223/85, 95, 96**

FIG. 3 is a bottom plan view thereof;

FIG. 4 is a rear elevational view thereof;

[56] References Cited

U.S. PATENT DOCUMENTS

D. 246,817 1/1978 Mainetti D6/326

D. 260,342 8/1981 Eiley et al. D6/326

3,632,028 1/1972 Fussel 223/95

FIG. 5 is a left end elevational view thereof;

FIG. 6 is a top plan view thereof;

FIG. 7 is a perspective view from the front, top, and right; and,

FIG. 8 is a perspective view from the rear, bottom, and left.

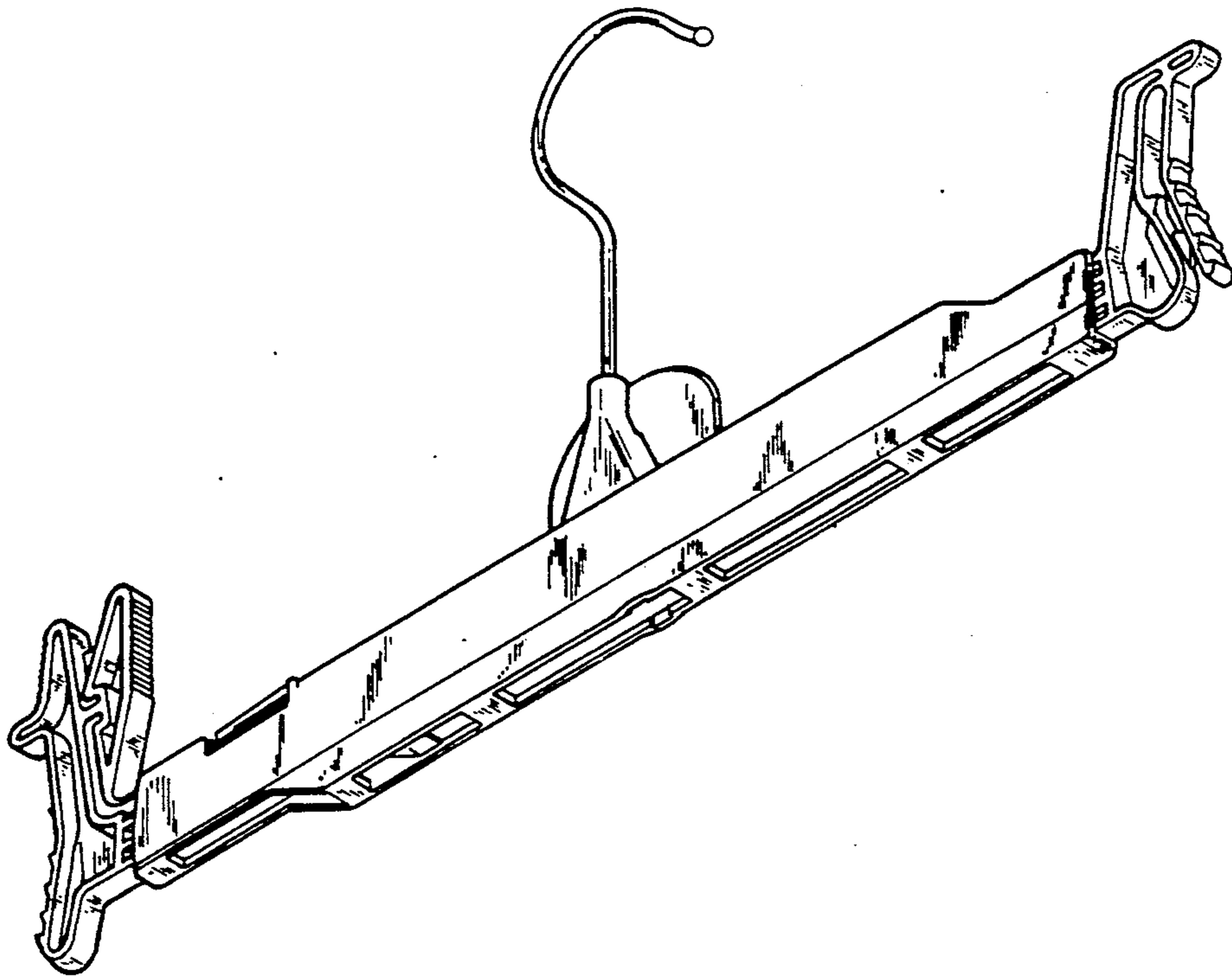




Fig. 3

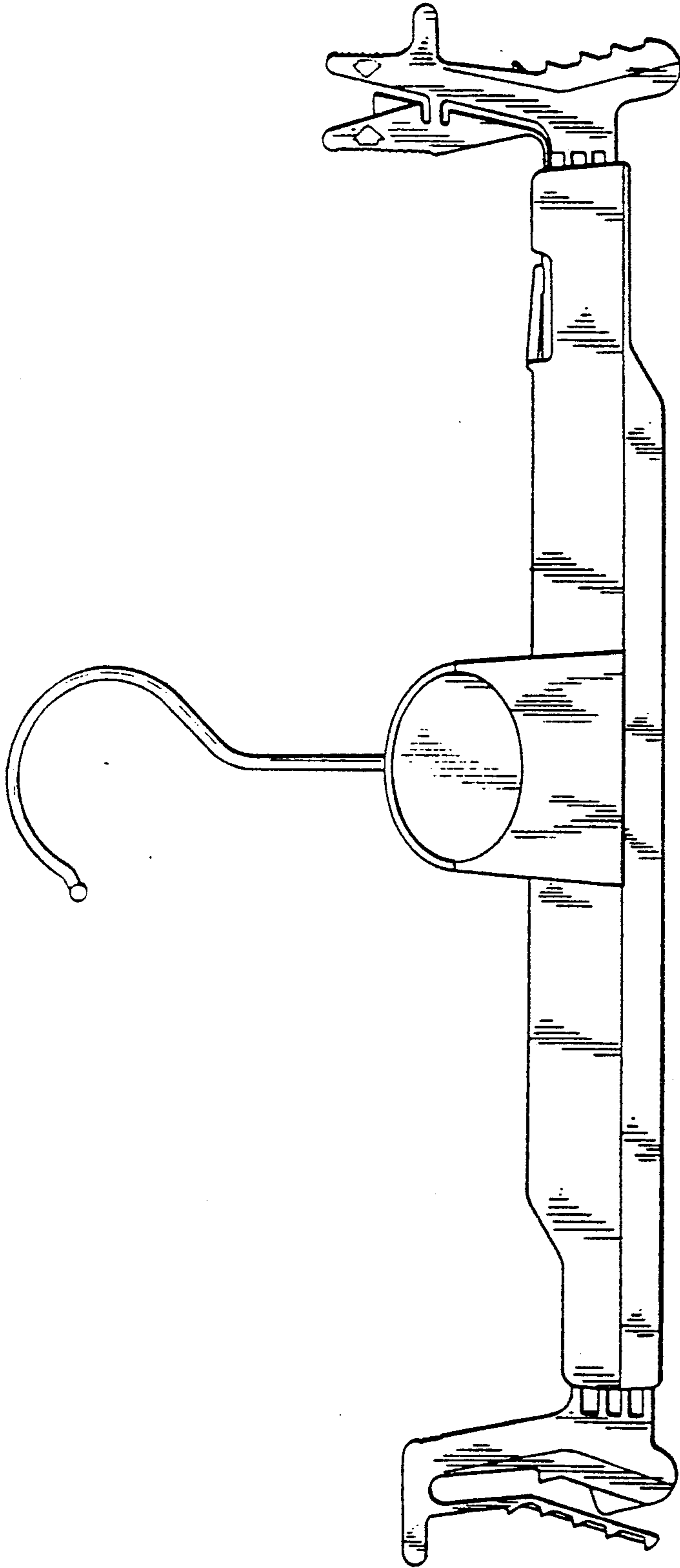


Fig. 1



Fig. 2



Fig. 4

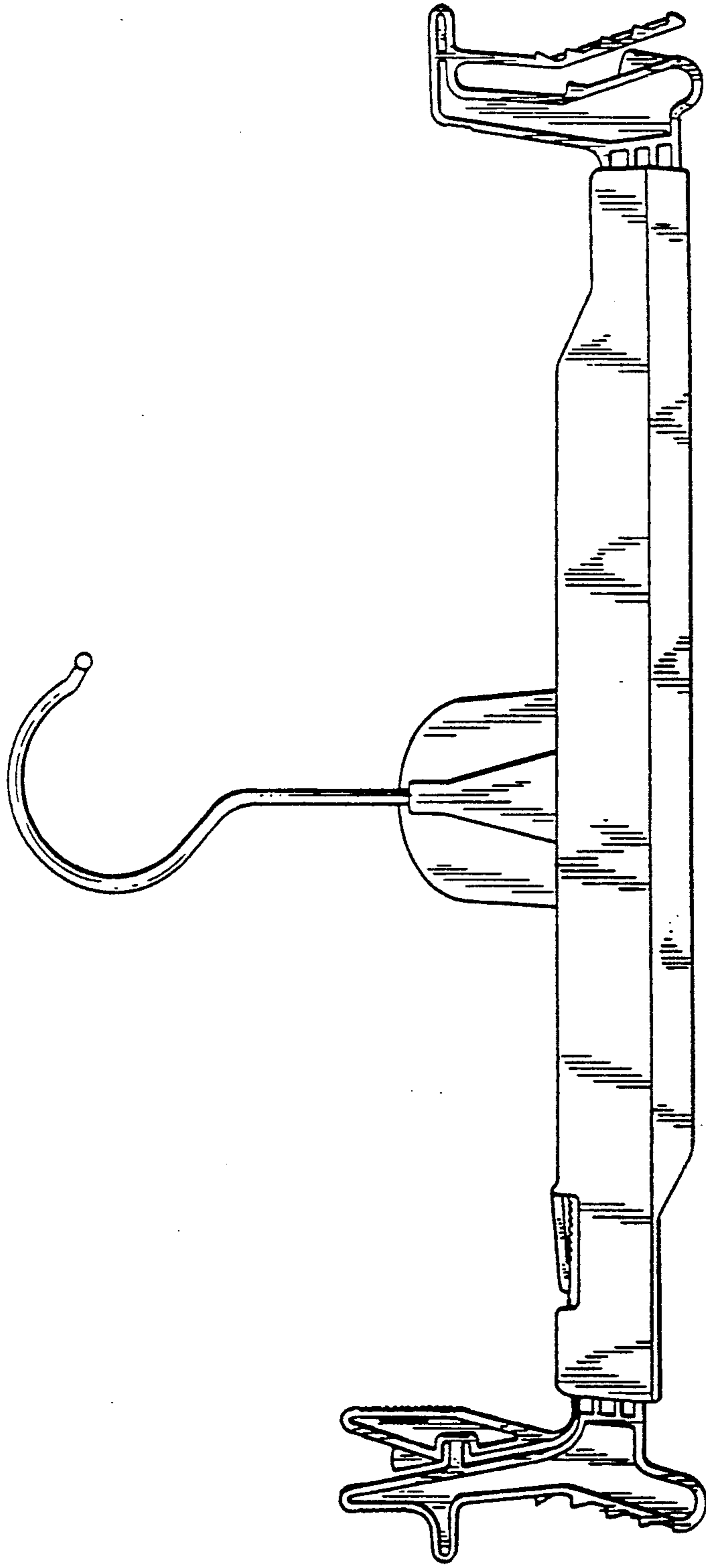


Fig. 5



Fig. 6

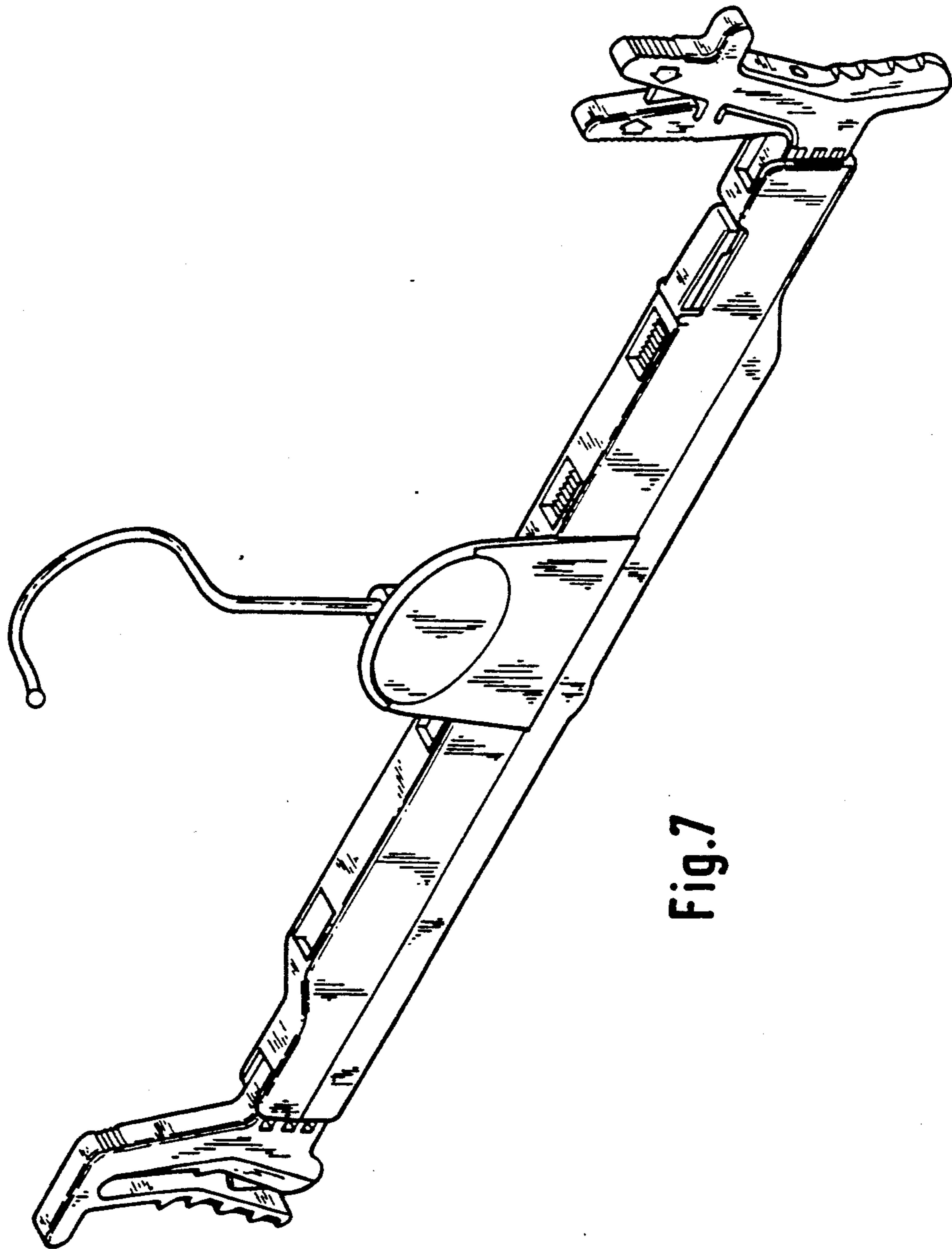


Fig.7

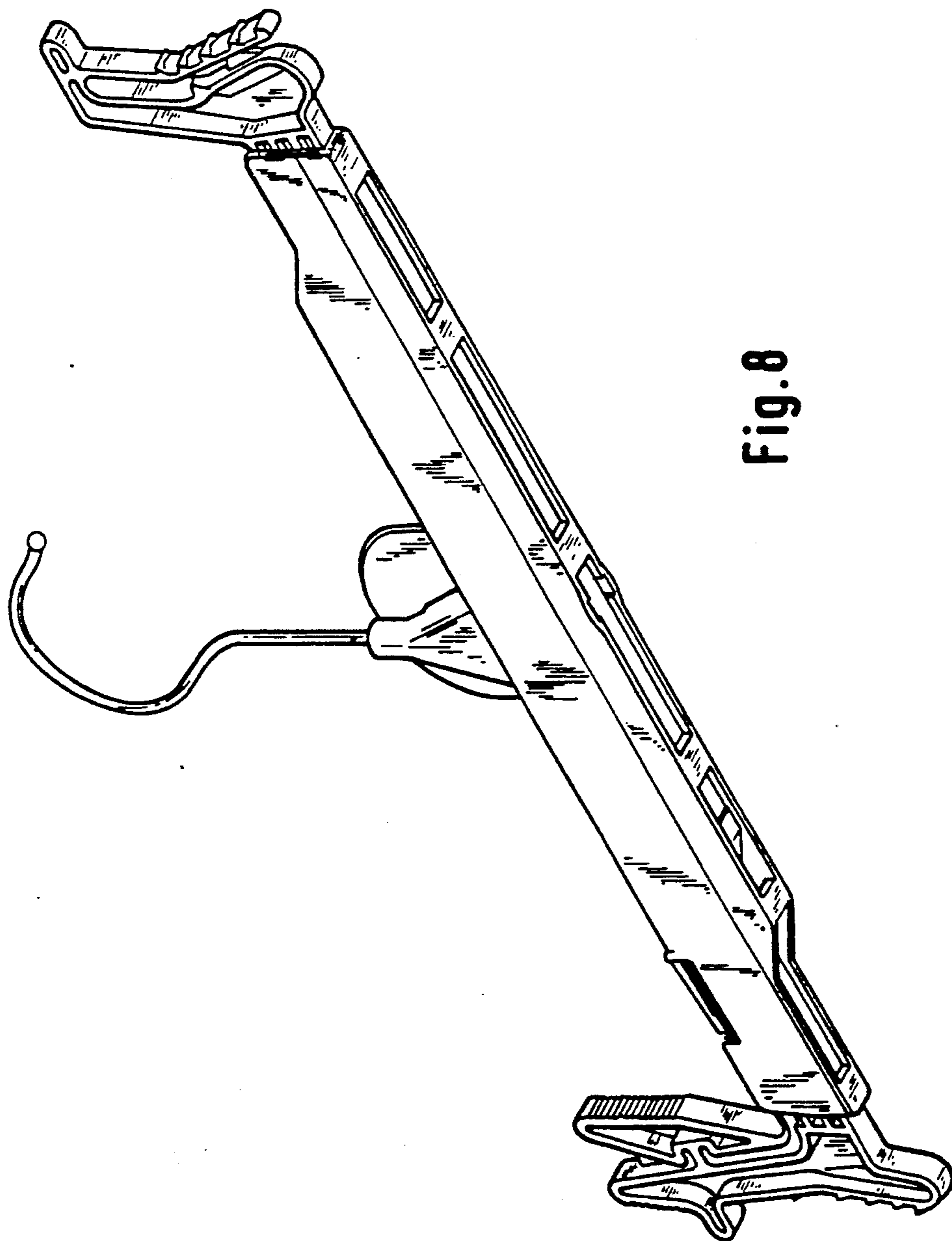


Fig. 8