



US00D328974S

United States Patent [19]
King

[11] **Patent Number: Des. 328,974**

[45] **Date of Patent: ** Sep. 1, 1992**

[54] **DOOR HOOK RETAINER LOOP PATCH FOR LUGGAGE**

[75] **Inventor: William L. King, Denver, Colo.**
[73] **Assignee: Samsonite Cororation, Denver, Colo.**
[**] **Term: 14 Years**
[21] **Appl. No.: 833,453**

[22] **Filed: Feb. 14, 1986**
[52] **U.S. Cl. D3/54; D3/99**
[58] **Field of Search D3/54, 51, 52, 53, 43, D3/76, 77, 78, 79, 99, 42; 206/287, 287.1, 479, 481, 292, 293, 298; 190/102, 119; 24/265 H, 265 AL, 698**

[56] **References Cited**
U.S. PATENT DOCUMENTS

D. 82,349	10/1930	Schell	D3/77
D. 259,974	7/1981	Schneider et al.	D3/76
1,265,331	5/1918	Holland	206/479
1,508,204	9/1924	Walker	206/479

OTHER PUBLICATIONS

Luggage and Travelware, Feb., 1984, p. 12, California Webbing.

Travelware, Nov., 1985, p. 12, attache case patch.

Primary Examiner—Bernard Ansher
Assistant Examiner—Lucy Lieberman
Attorney, Agent, or Firm—Gregory W. O'Connor

[57] **CLAIM**

The ornamental design for a door hook retainer loop patch for luggage, as shown and described.

DESCRIPTION

FIG. 1 is a front elevation of a door hook retainer loop patch for luggage showing my new design;
FIG. 2 is a right side elevation thereof, the left side being a mirror image of the right side shown;
FIG. 3 is a cross sectional view taken along line 3—3 of FIG. 1;
FIG. 4 is a perspective view thereof; and,
FIG. 5 is a front elevational view of a second embodiment of a door hook retainer loop patch for luggage. The environmental structure shown in dotted lines is for illustrative purposes only.

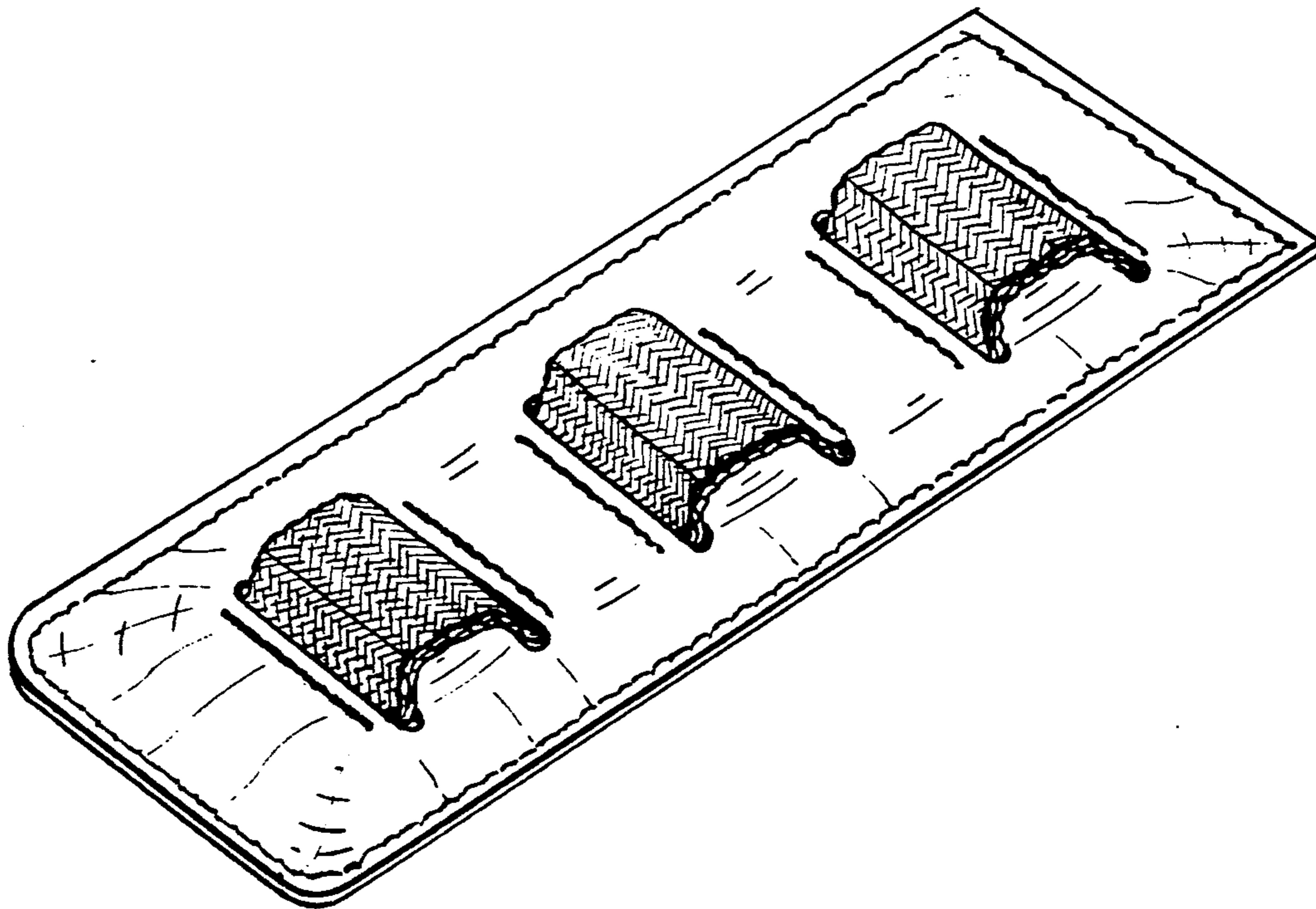


Fig. 1.

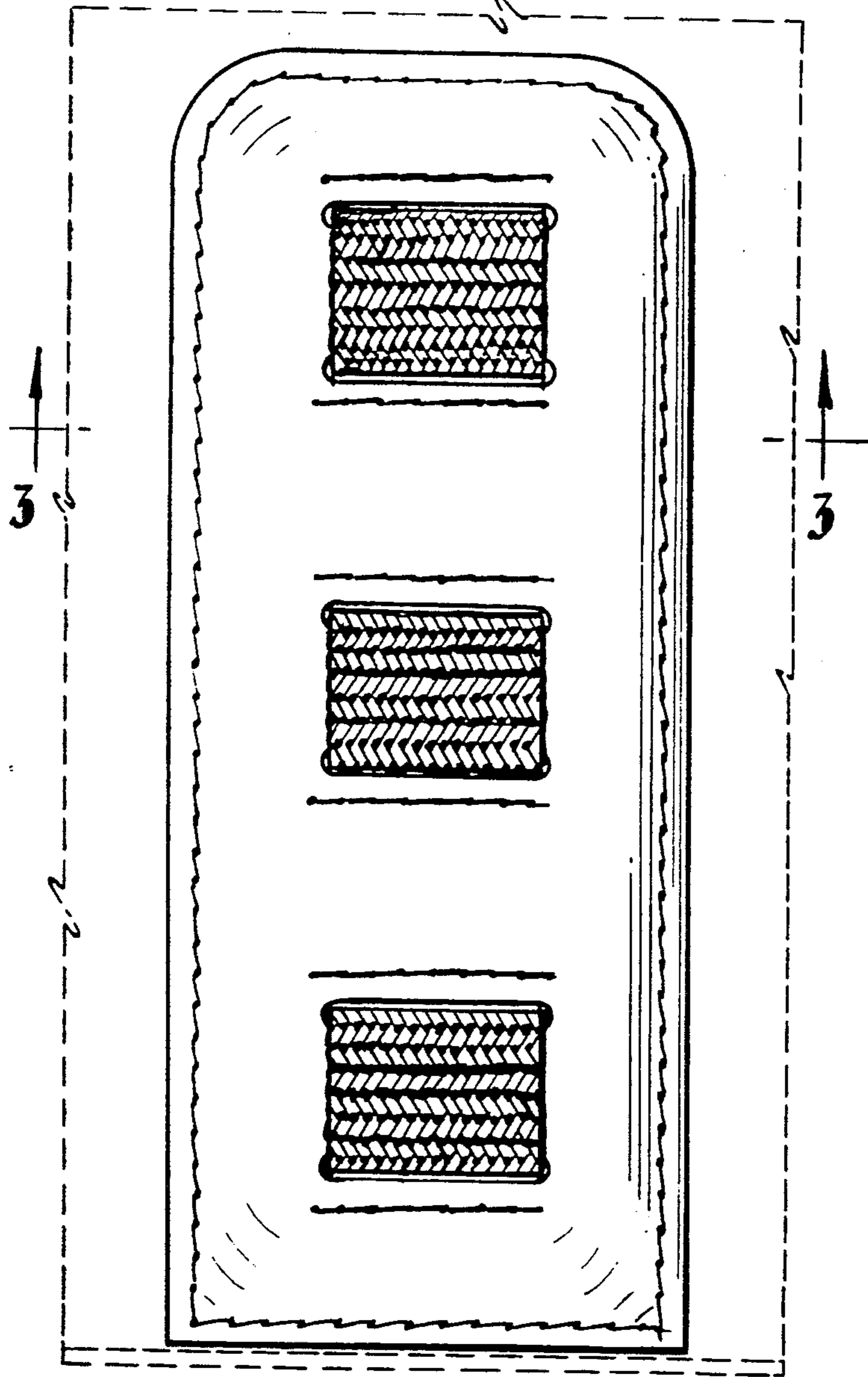


Fig. 2.

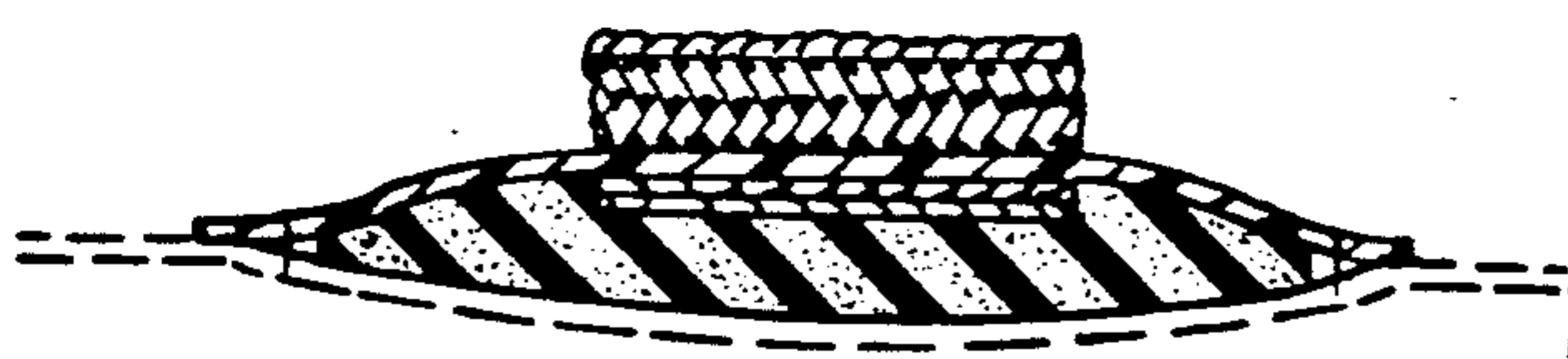
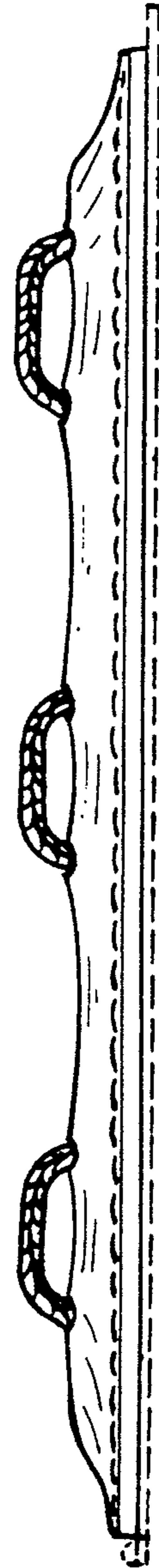


Fig. 3.

Fig. 5.

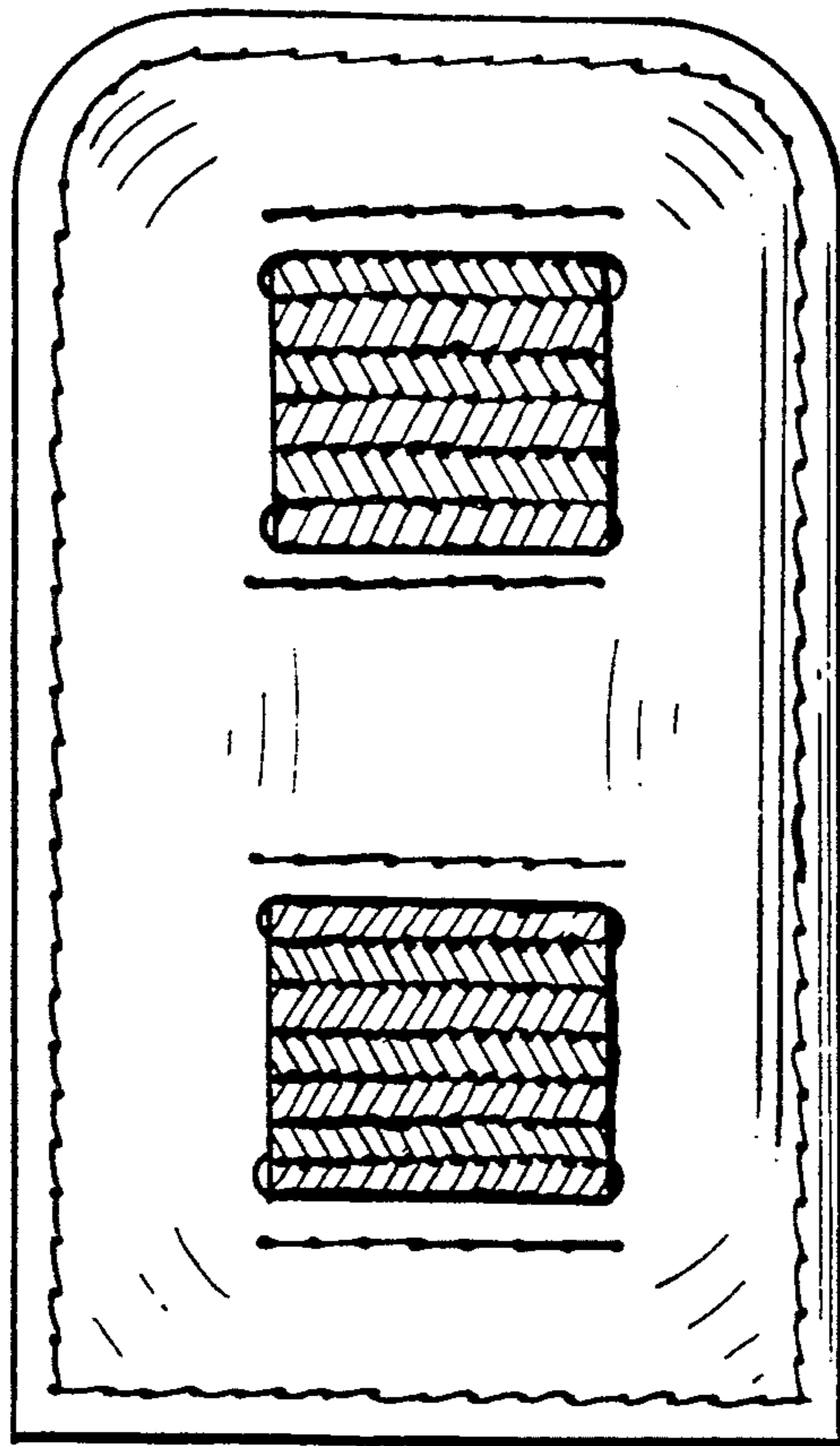


Fig. 4.

