



US00D328971S

United States Patent [19]

[11] Patent Number: **Des. 328,971**

Fujita et al.

[45] Date of Patent: **** Sep. 1, 1992**

[54] **CASE FOR A CASSETTE TAPE**

4,913,287 4/1990 Kagano 206/387

[75] Inventors: **Ichiro Fujita; Tadao Matsuki**, both of Tokyo; **Shin-ichi Kagano**, Kyoto, all of Japan

Primary Examiner—A. Hugo Word
Assistant Examiner—Celia Murphy
Attorney, Agent, or Firm—Antonelli, Terry Stout & Kraus

[73] Assignee: **Hitachi Maxwell, Ltd.**, Osaka, Japan

[**] Term: **14 Years**

[57] **CLAIM**

[21] Appl. No.: **313,813**

The ornamental design for a case for a cassette tape, as shown and described.

[22] Filed: **Feb. 23, 1989**

DESCRIPTION

[52] U.S. Cl. **D3/35**

[58] Field of Search **D3/30.1, 34, 35, 100, D3/39, 48, 52, 56, 58, 60, 71, 77, 78, 29, 42, 106, 74, 99; 150/149; 206/320, 311, 313, 333, 472, 387, 493; 211/13; 224/228; 229/107**

FIG. 1 is a front elevational view of a case for a cassette tape showing our new design;

FIG. 2 is a rear elevational view thereof;

FIG. 3 is a top plan view thereof;

FIG. 4 is a bottom plan view thereof;

FIG. 5 is a side elevational view thereof;

FIG. 6 is a sectional view taken on line VI—VI of FIG. 1;

FIG. 7 is a perspective view thereof shown in an open position;

FIG. 8 is an open perspective view of an alternate embodiment of the design shown in FIG. 1;

FIG. 9 is an open perspective view of a second embodiment of the design shown in FIG. 1; and,

FIG. 10 is an open perspective view of a third embodiment of the design shown in FIG. 1.

[56] **References Cited**

U.S. PATENT DOCUMENTS

D. 192,960	6/1962	Buderman	D3/30.1
D. 257,649	12/1980	Belgin	D3/35
D. 291,024	7/1987	Kikuchi	D3/35
3,272,325	9/1966	Schoenmakers	D3/35
3,896,929	7/1975	Mills	206/387
3,978,985	9/1976	Zinnbauer	206/387
4,230,225	10/1980	Okada et al.	206/387
4,886,166	12/1989	Bankier et al.	206/472

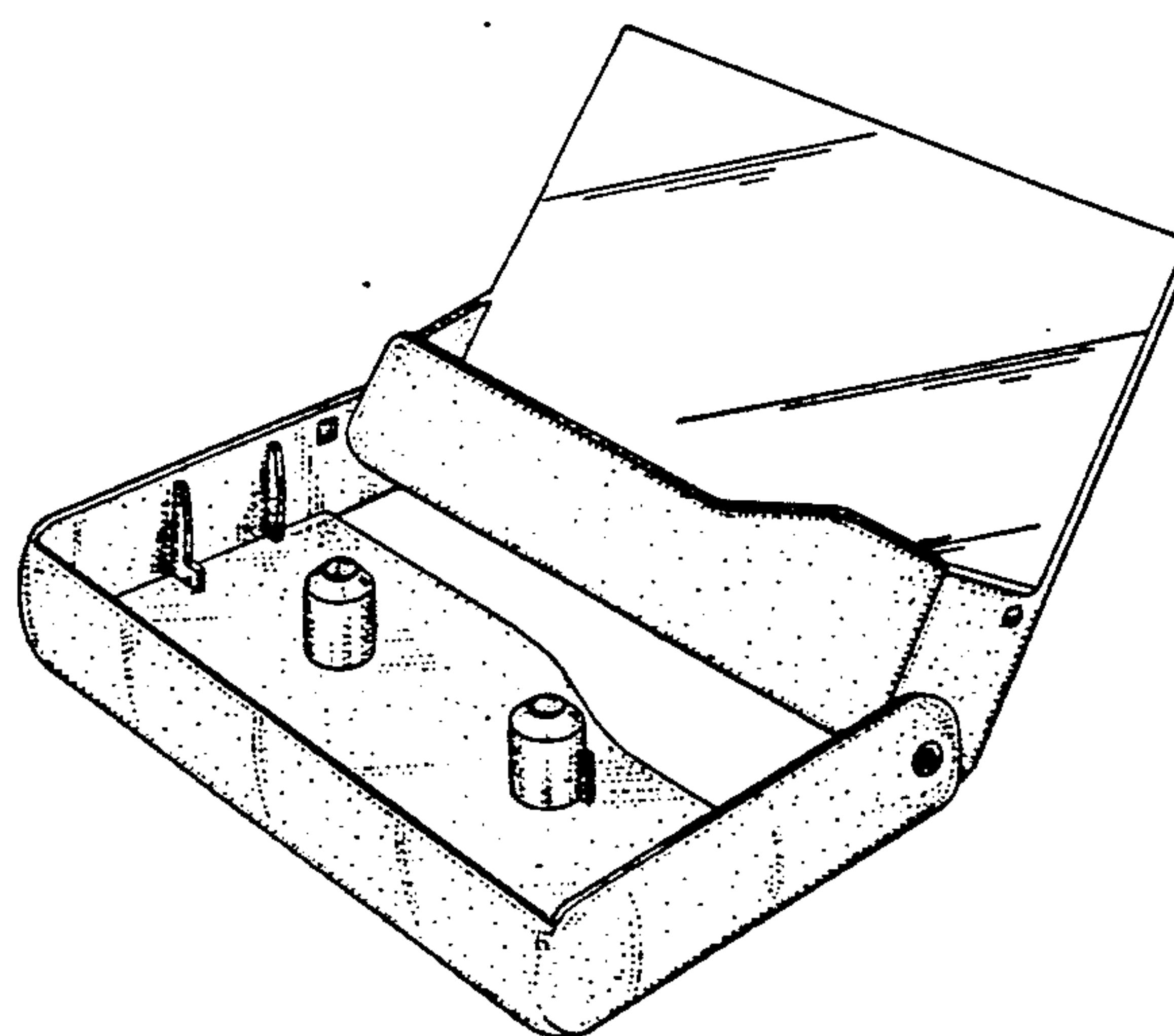
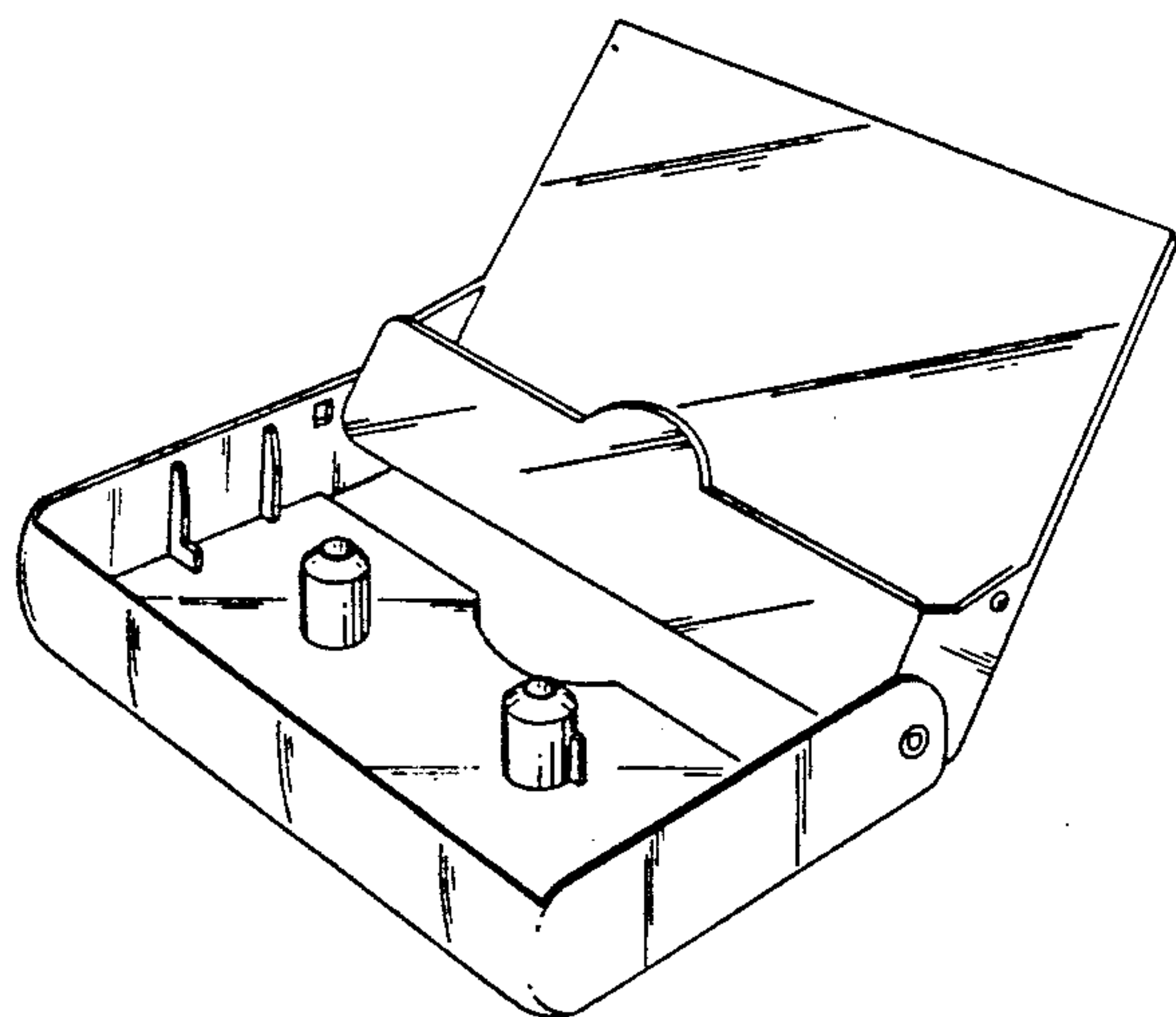


FIG. 1

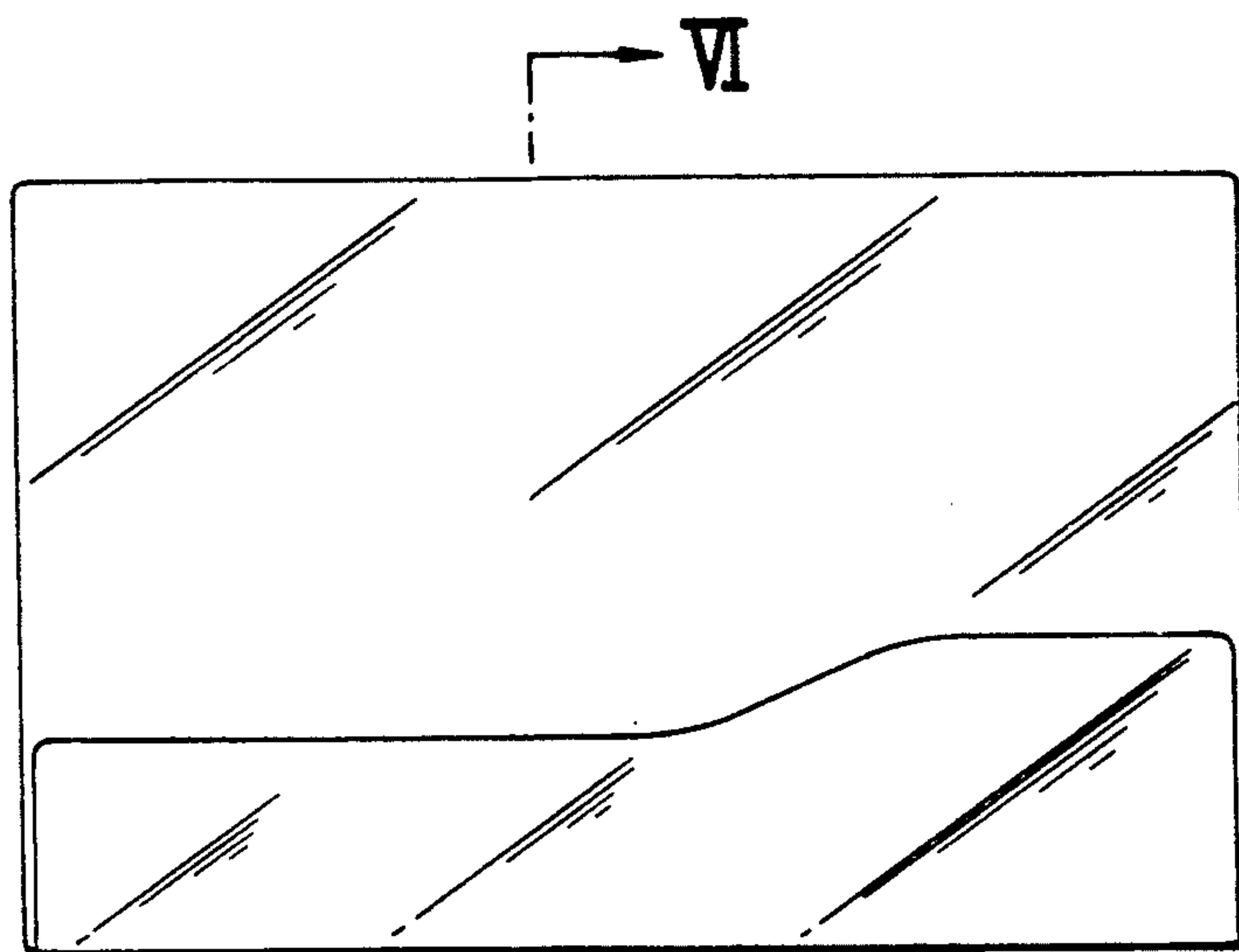


FIG. 2

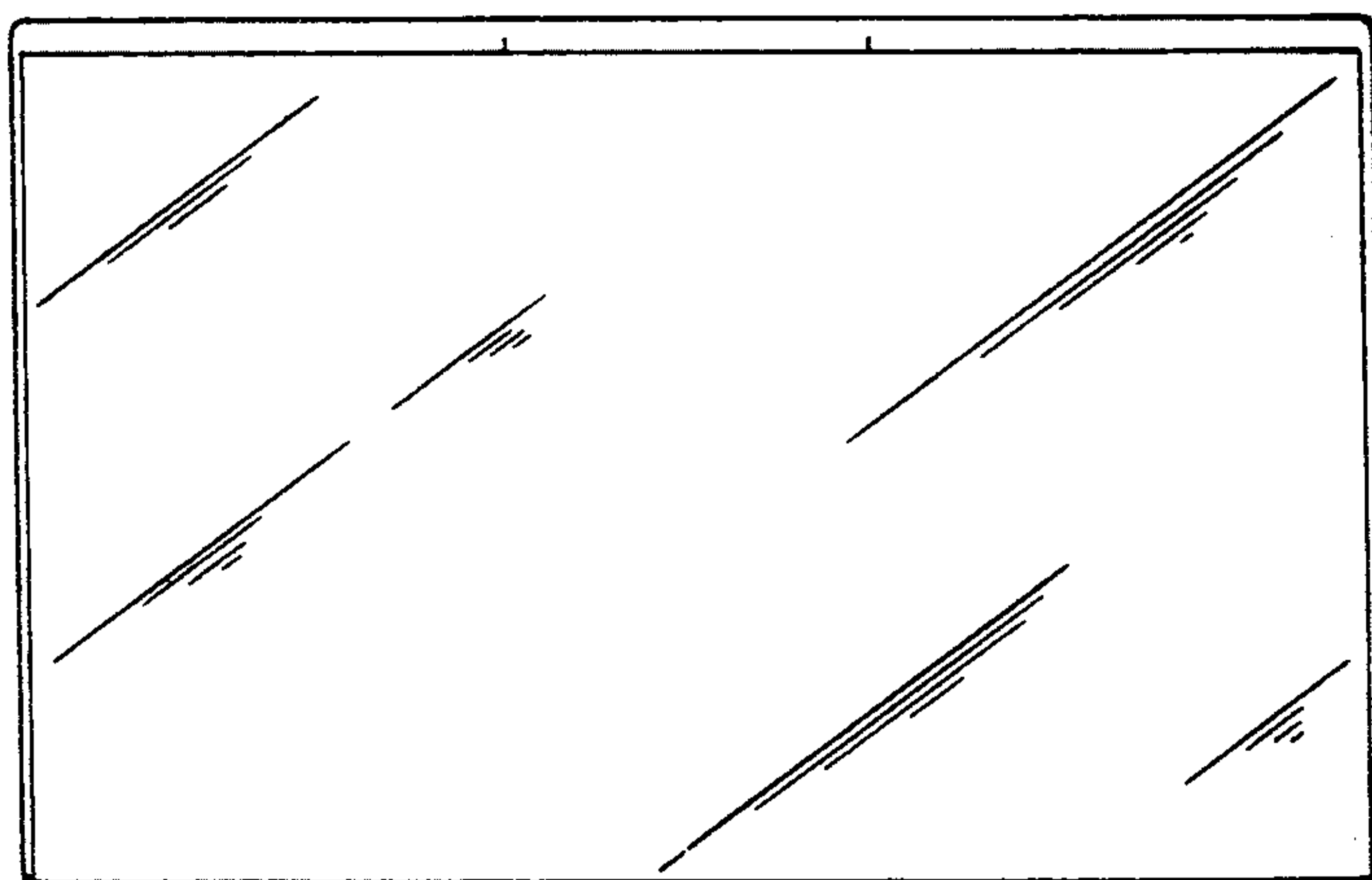


FIG. 3



FIG. 4

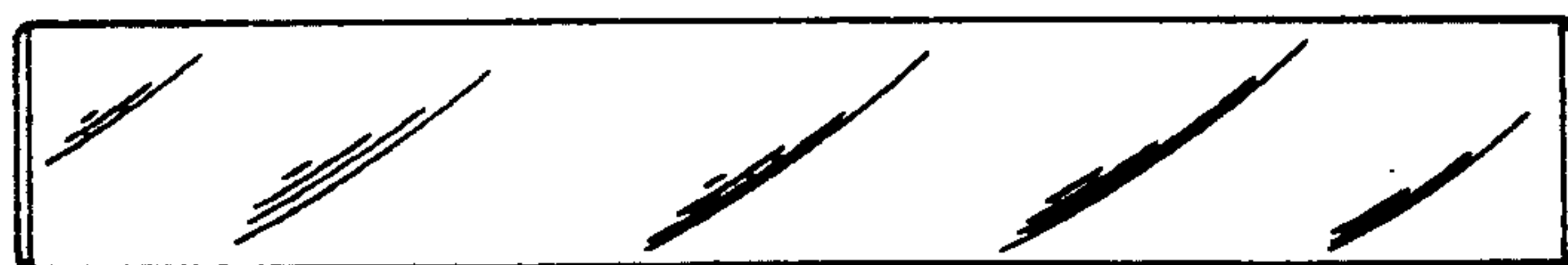


FIG. 5

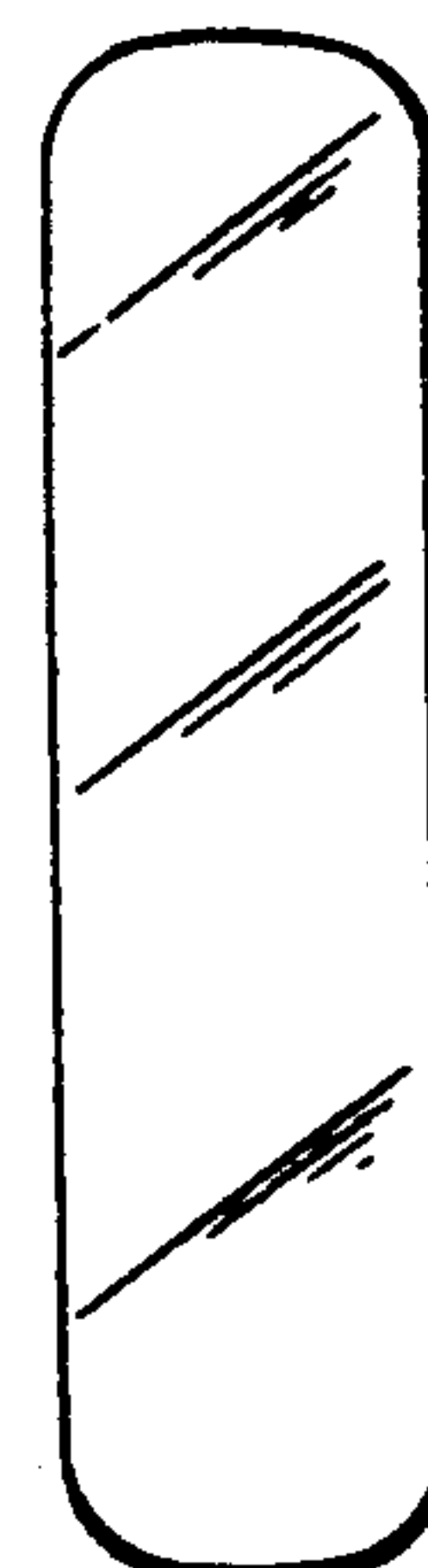


FIG. 6

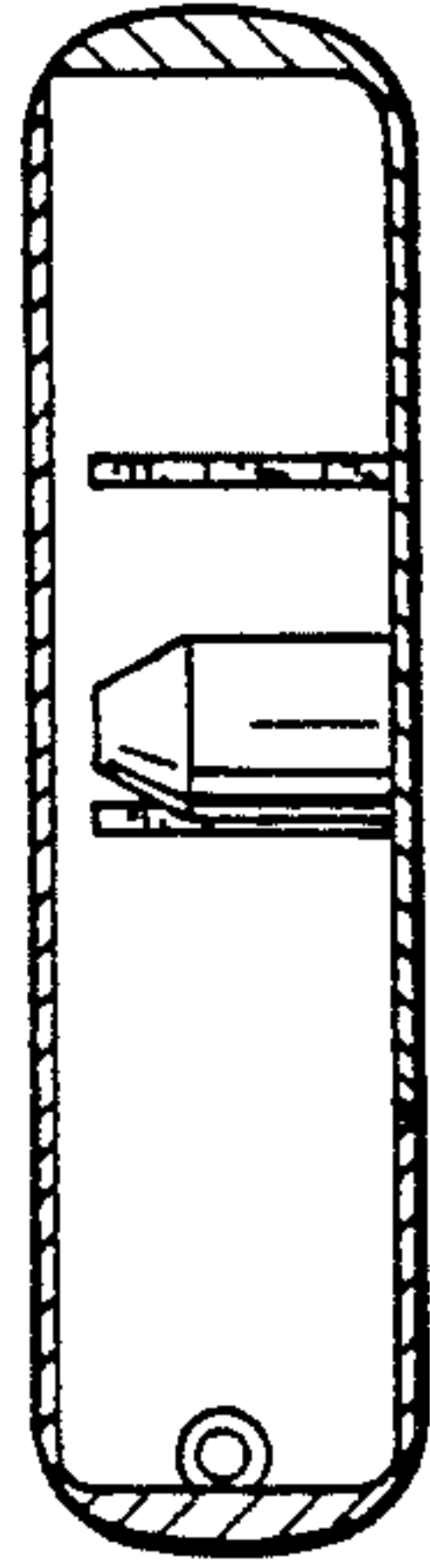


FIG. 7

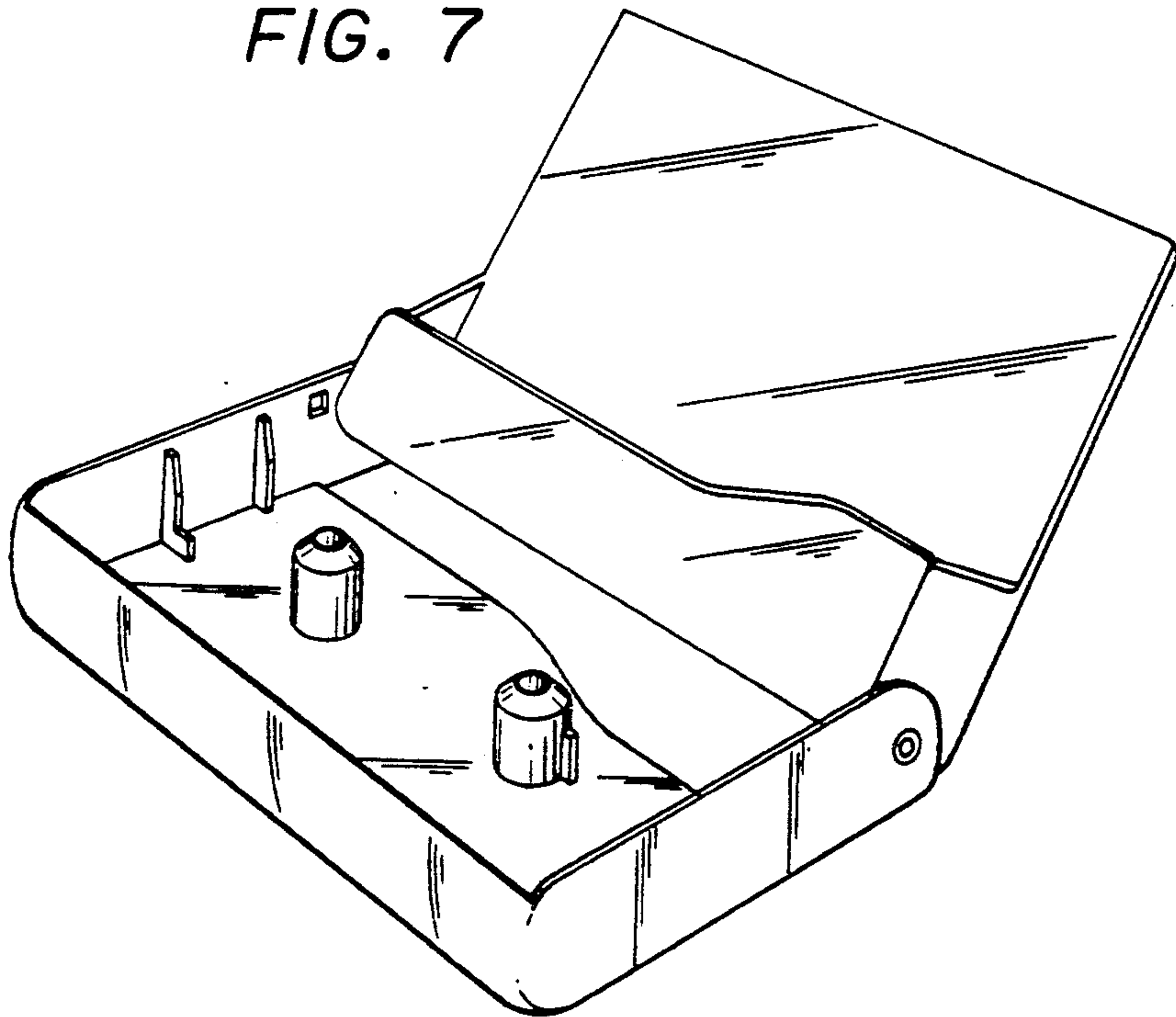


FIG. 8

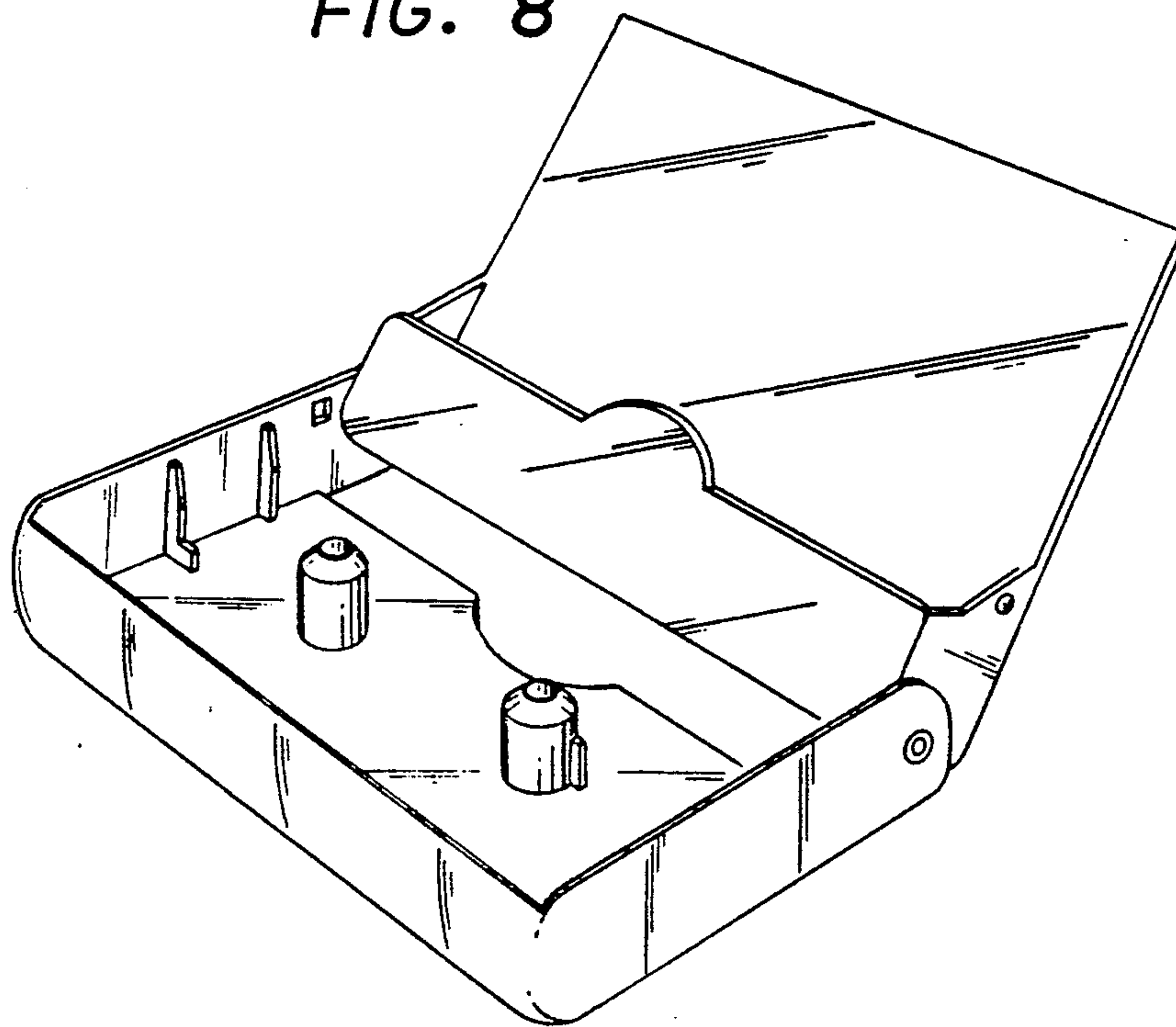


FIG. 9

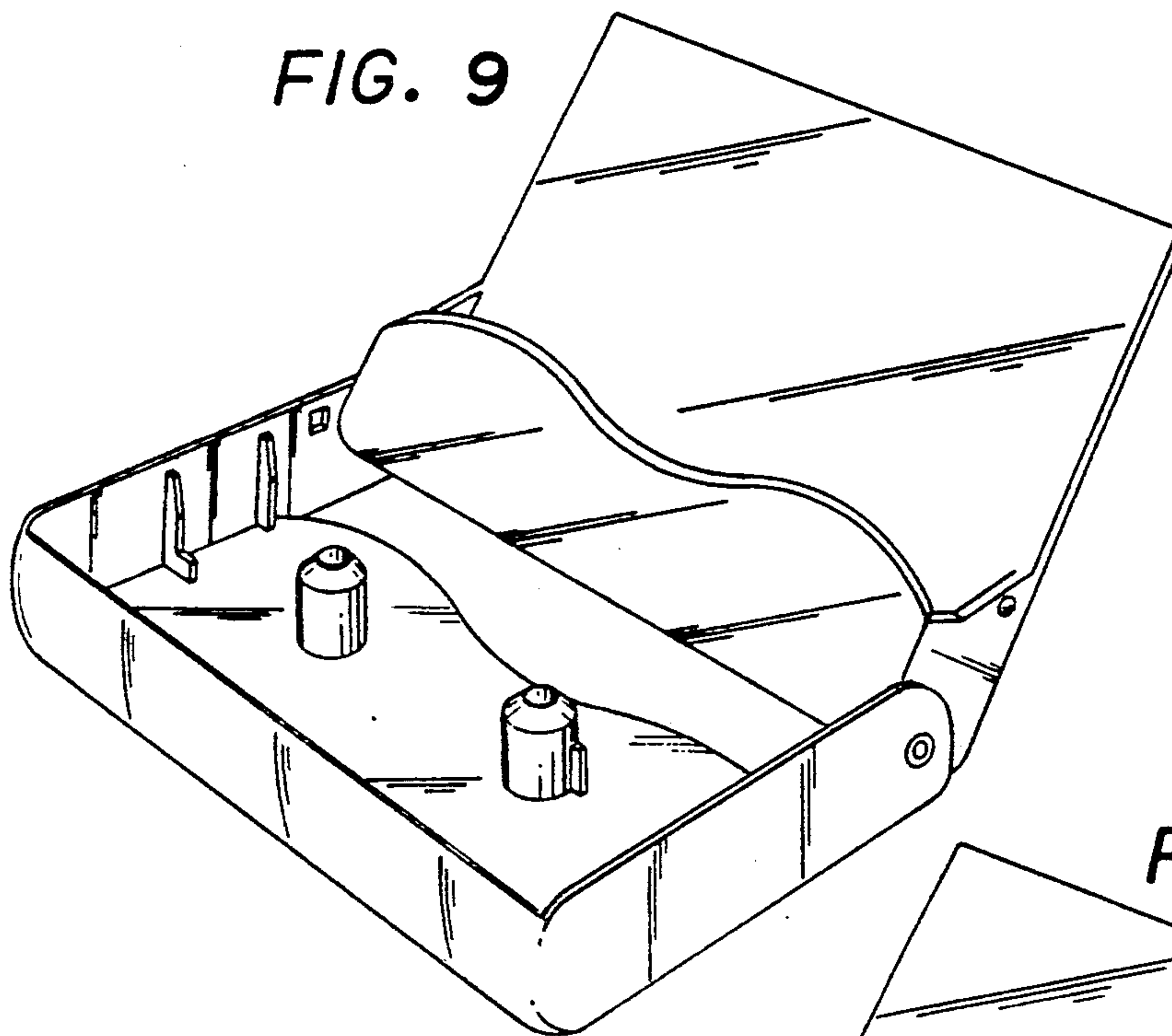


FIG. 10

