



US00D328959S

United States Patent [19]

[11] Patent Number: **Des. 328,959**

Greatrake et al.

[45] Date of Patent: **** Aug. 25, 1992**

[54] DIVER'S MOUTHPIECE FIXTURE

[75] Inventors: **Scott Greatrake**, San Clemente;
Mark Faulconer, Costa Mesa, both of
Calif.

[73] Assignee: **U.S. Divers Co., Inc.**, Santa Ana,
Calif.

[**] Term: **14 Years**

[21] Appl. No.: **463,983**

[22] Filed: **Jan. 12, 1990**

[52] U.S. Cl. **D29/7; D21/236**

[58] Field of Search **D29/7, 6; D21/236;**
128/204.26, 205.22, 202.27, 204.18, 205.24

[56] References Cited

U.S. PATENT DOCUMENTS

3,219,034	11/1965	Kalenik	128/205.22
3,224,444	12/1965	Dempster	128/204.26
4,860,739	8/1989	Vandepol	128/205.24

OTHER PUBLICATIONS

Skin Diver, Jun. 1989, p. 28, U.S. Diver's Impulse Snorkel.

Primary Examiner—Kay H. Chin

Attorney, Agent, or Firm—George F. Bethel; Patience K. Bethel

[57] CLAIM

The ornamental design for a diver's mouthpiece fixture, as shown and described.

DESCRIPTION

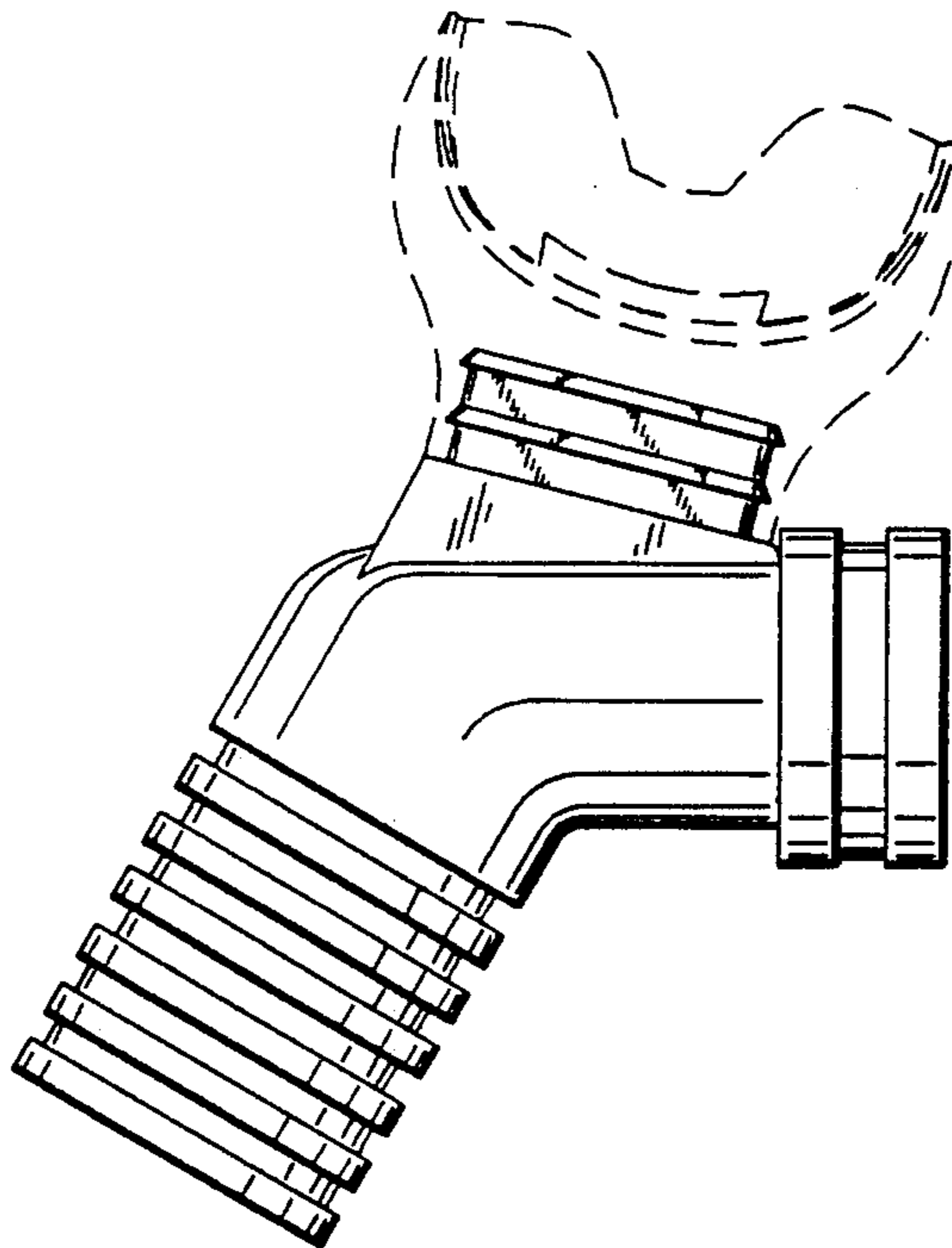
FIG. 1 is a left side elevational view of a diver's mouthpiece fixture showing our new design, the broken lines are for illustrative purposes only and form no part of the claimed design;

FIG. 2 is a front elevational view thereof;

FIG. 3 is a right side elevational view thereof;

FIG. 4 is a bottom plan view thereof; and,

FIG. 5 is a rear elevational view thereof.



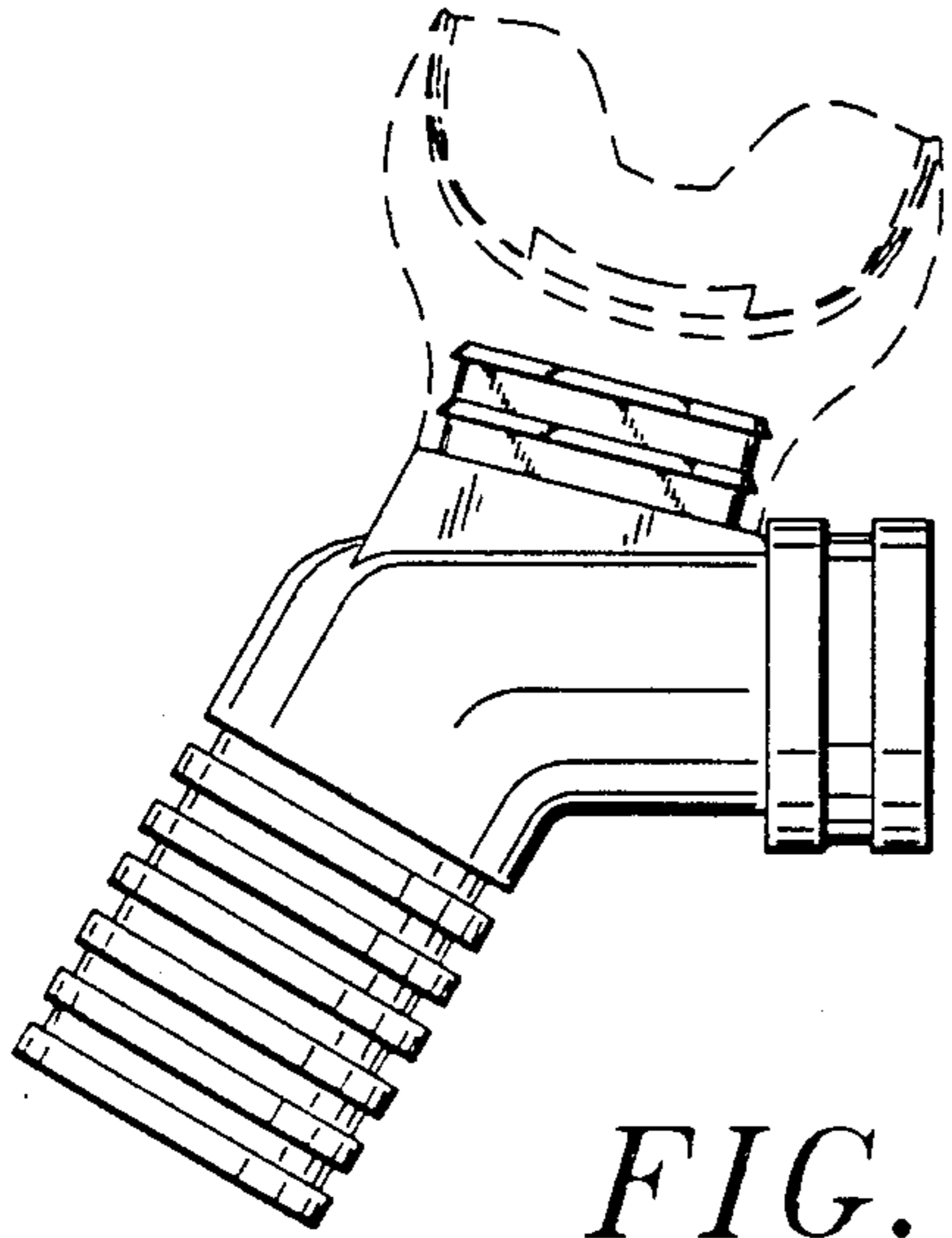


FIG. 1

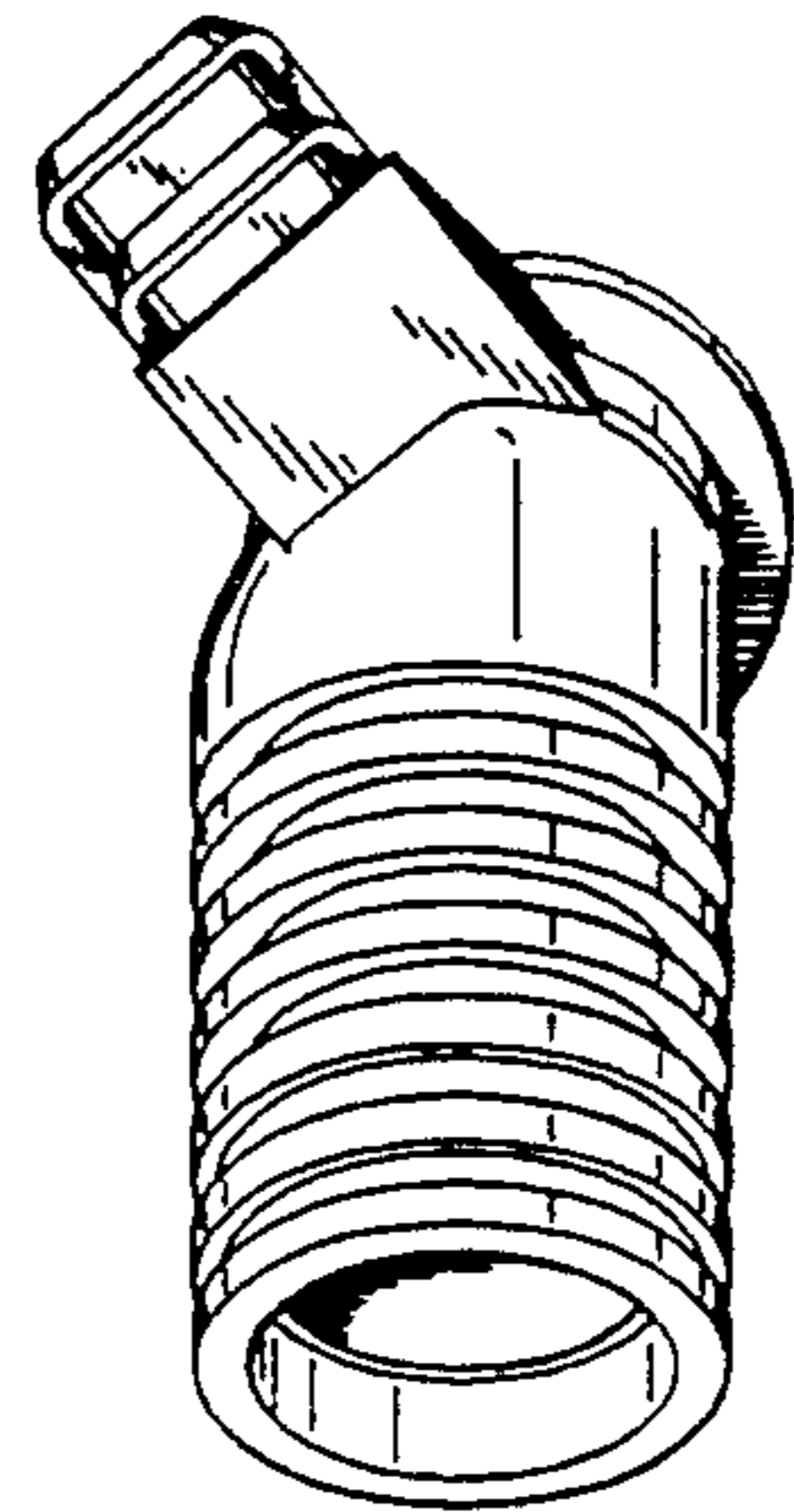


FIG. 2

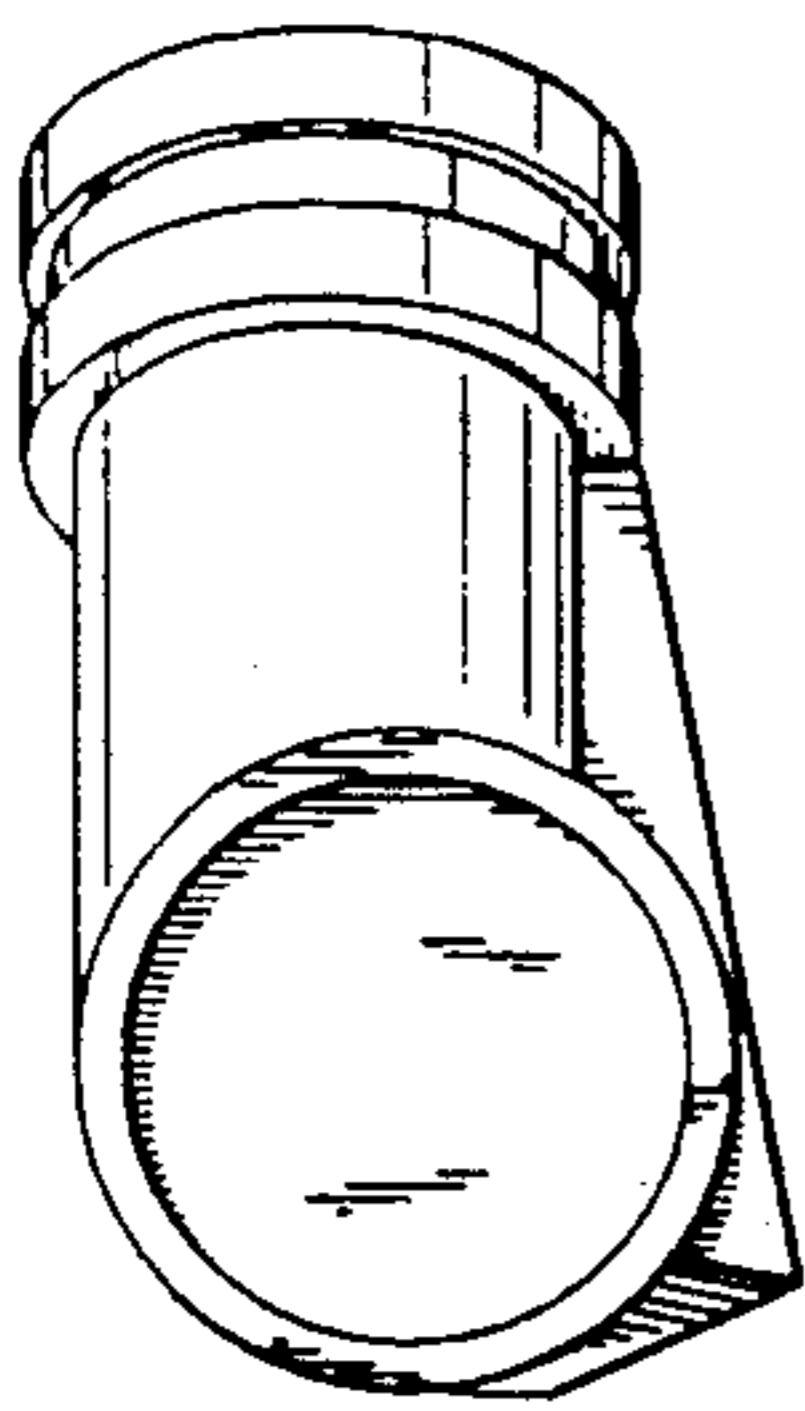


FIG. 4

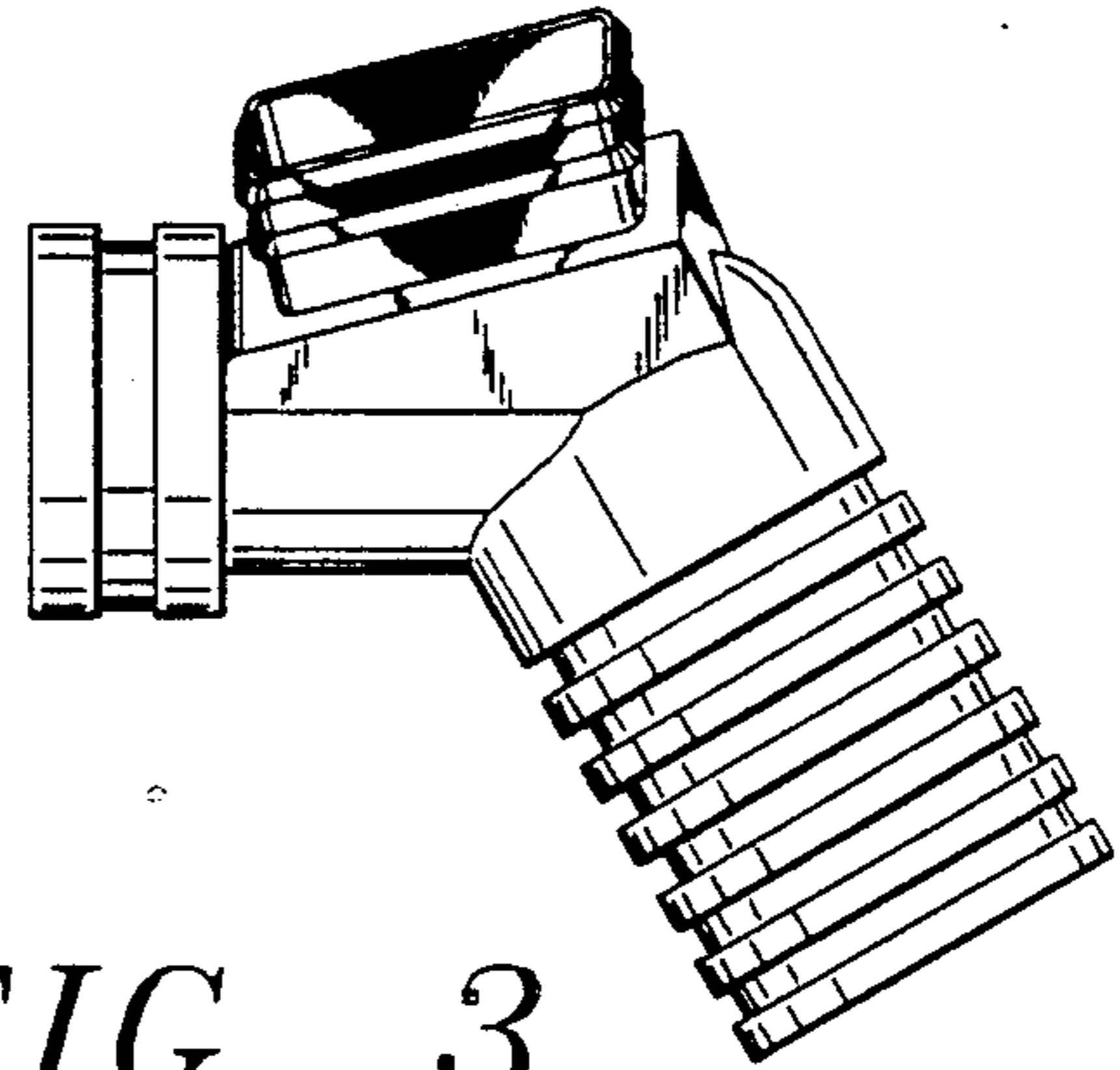


FIG. 3

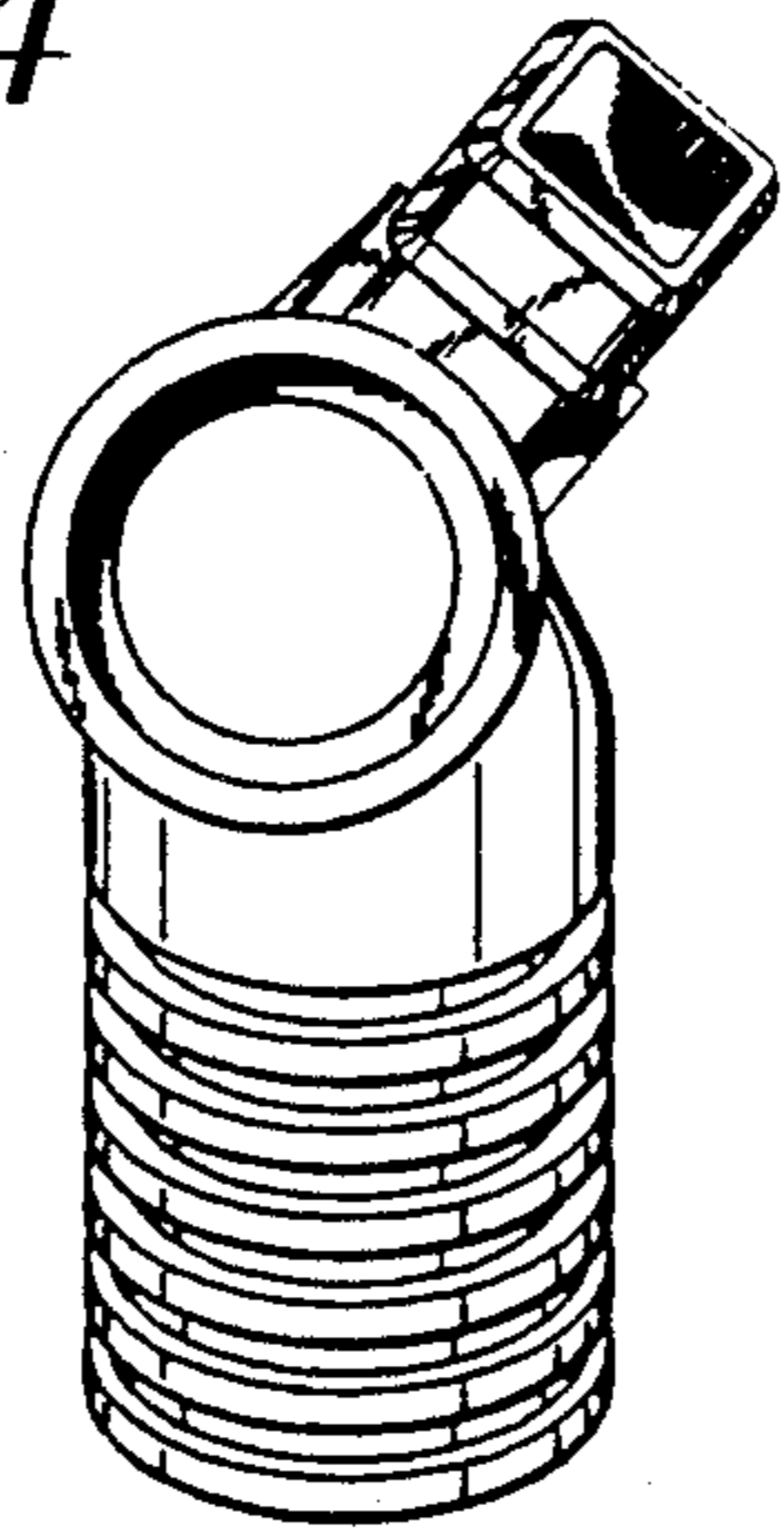


FIG. 5