



US00D328958S

# United States Patent [19]

[11] Patent Number: **Des. 328,958**

**Bragin et al.**

[45] Date of Patent: **\*\* Aug. 25, 1992**

[54] **CIGARETTE PACK DISPLAY CONTAINER**

3,311,258 3/1967 Craig ..... 220/97

[75] Inventors: **David G. Bragin**, Brooklyn;  
**Frederick M. DellaCrosse**, White Plains, both of N.Y.

### FOREIGN PATENT DOCUMENTS

2028646A 3/1980 United Kingdom .

[73] Assignee: **Philip Morris Incorporated**, New York, N.Y.

*Primary Examiner*—Donald P. Walsh  
*Assistant Examiner*—Jeffrey Asch  
*Attorney, Agent, or Firm*—Charles B. Smith

[\*\*] Term: **14 Years**

### [57] CLAIM

[21] Appl. No.: **622,803**

The ornamental design for a cigarette pack display container, as shown and described.

[22] Filed: **Dec. 5, 1990**

### DESCRIPTION

[52] U.S. Cl. .... **D27/190; D6/455; D6/457; D6/471; D9/341; D19/77; D19/85**

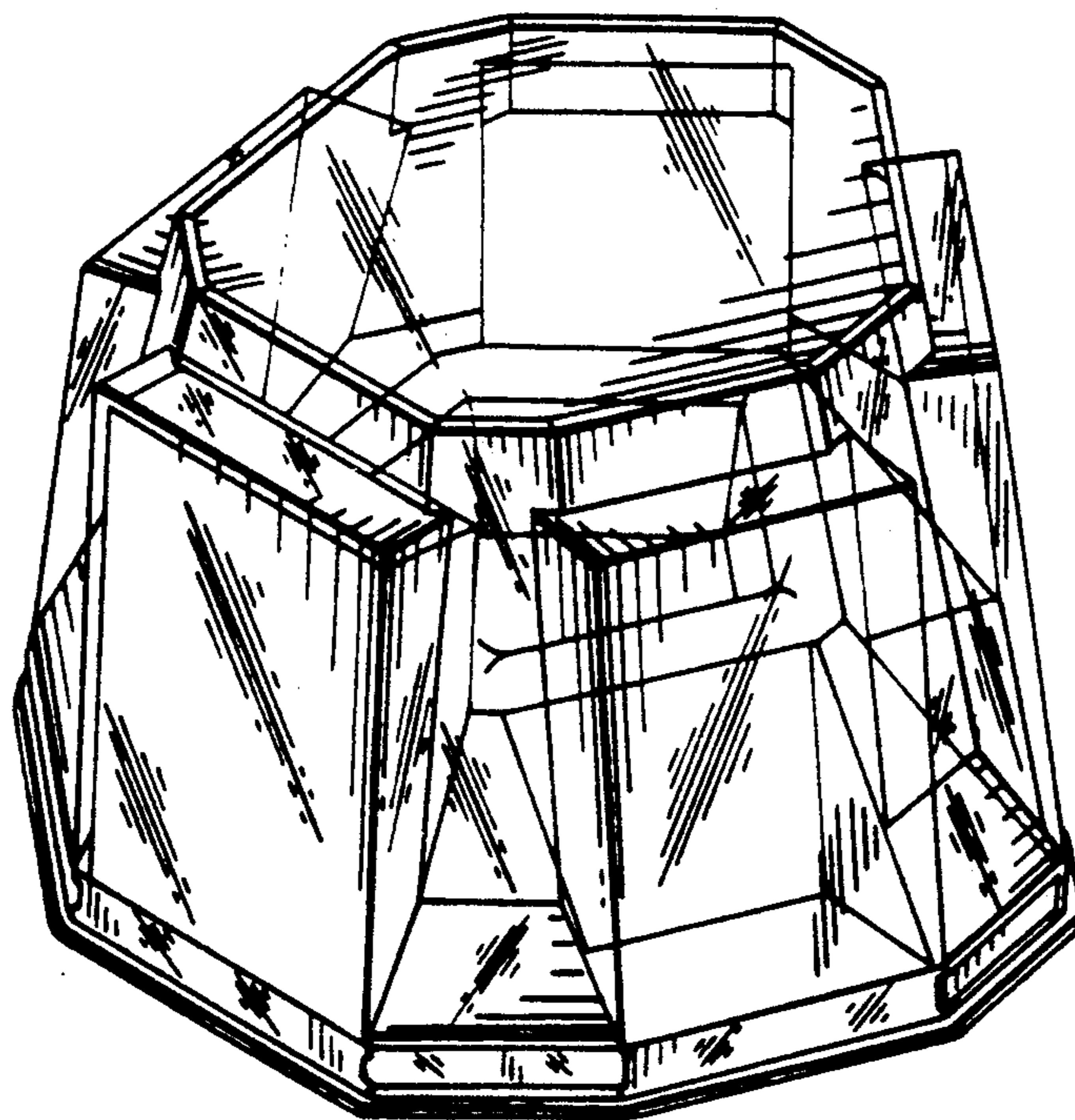
[58] Field of Search ..... **D6/449, 455, 457-461, D6/467, 468, 470-472, 475, 476, 407, 408; D19/77, 85, 75, 78; D9/341, 349, 418, 430; D27/172, 190; 211/13, 163, 69.1-69.9; 206/214, 371; 312/114, 117, 125, 135**

FIG. 1 is a perspective view of a cigarette pack display container showing our new design; FIG. 2 is a top plan view thereof; FIG. 3 is a typical side elevational view taken with one of the five identical cigarette pack holding cavities centered; FIG. 4 is a typical side elevational view taken slightly to the left of one of the five identical cigarette pack holding cavities; FIG. 5 is a typical side elevational view taken between two of the five identical cigarette pack holding cavities; FIG. 6 is a bottom plan view thereof; FIG. 7 is a perspective view showing a second embodiment of the cigarette pack display container of FIG. 1; FIG. 8 is a top plan view thereof; and, FIG. 9 is a bottom plan view thereof. FIGS. 2-6 and 8 and 9 have been shown on an enlarged scale with respect to FIGS. 1 and 7. The broken line showing of a cigarette pack in FIGS. 3 and 5 is for illustrative purposes only.

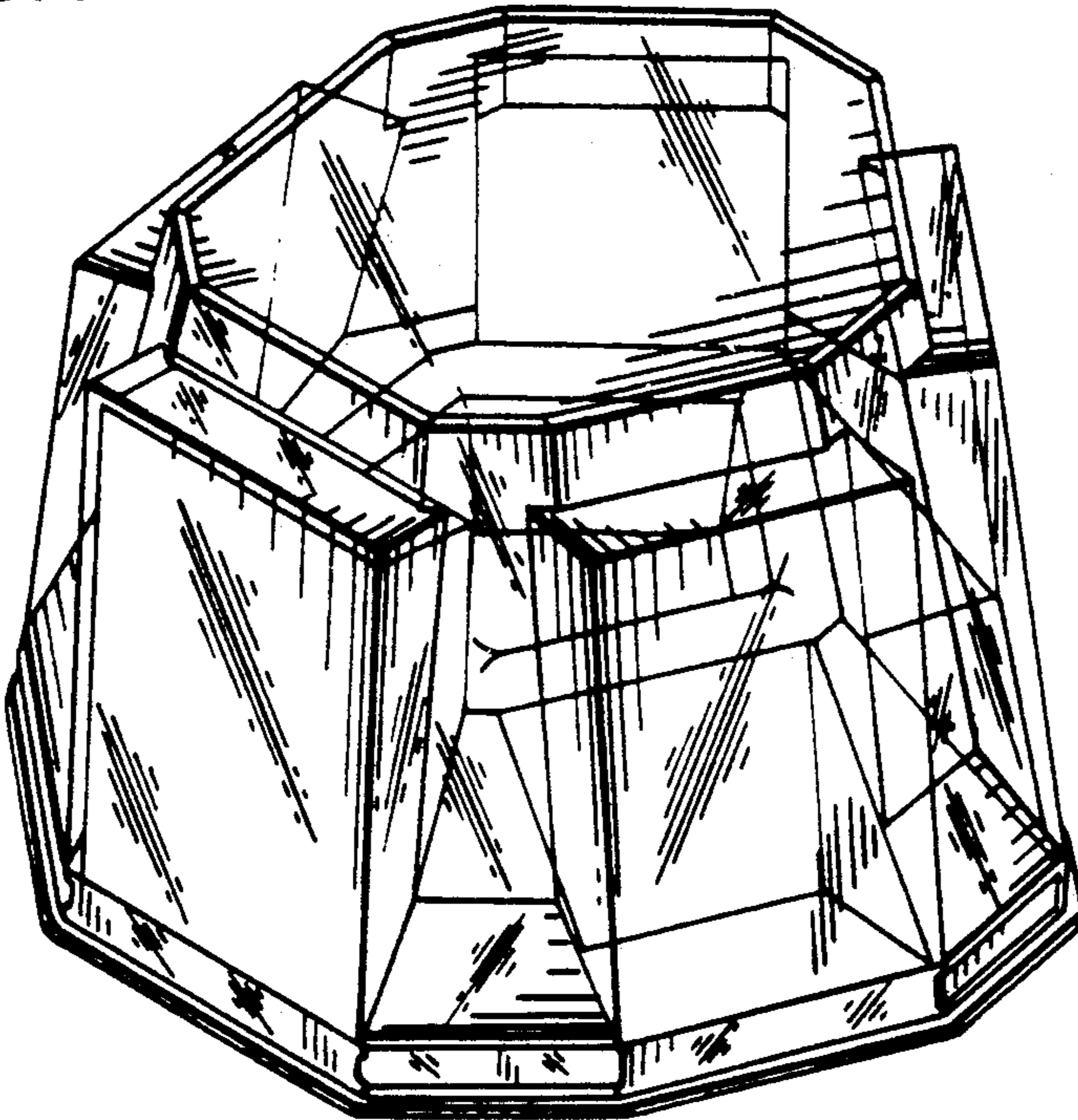
### [56] References Cited

#### U.S. PATENT DOCUMENTS

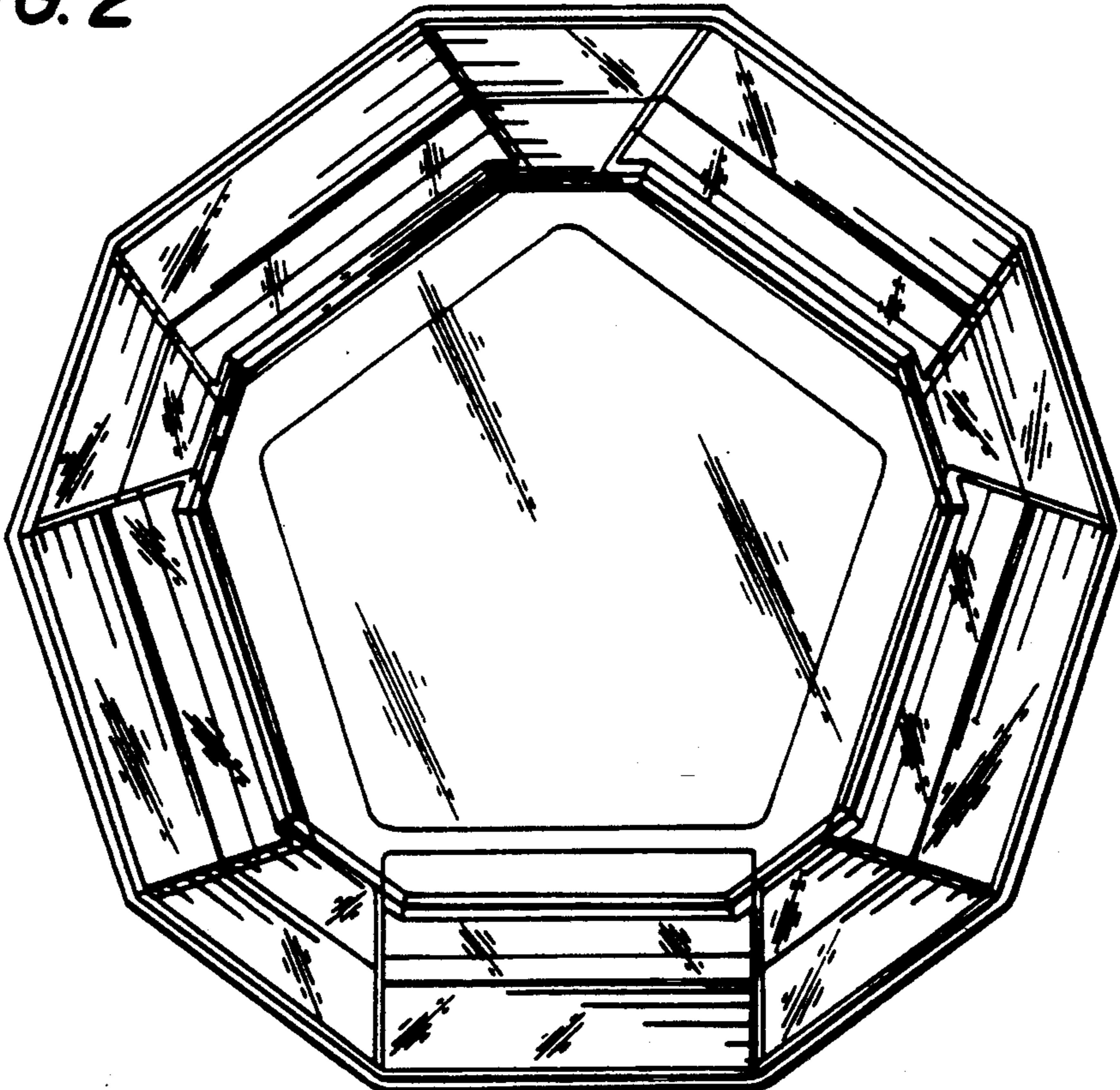
D. 99,961	6/1936	Payne	.....	D27/190
D. 164,068	7/1951	Soffe	.....	D27/190
D. 164,069	7/1951	Soffe	.....	D27/190
D. 173,722	12/1954	Coté	D19	..... 78 X/
D. 236,172	8/1975	Berlin	.....	D6/455
D. 259,082	5/1981	Corelli	.....	D6/459
D. 265,148	6/1982	Bwyhalo	.....	D6/407 X
D. 267,618	1/1983	Liptak	.....	D19/78 X
D. 289,059	3/1987	Bosland	.....	D19/78
D. 295,807	5/1988	Kyler	.....	D6/457
3,303,964	2/1967	Luker	.....	220/97



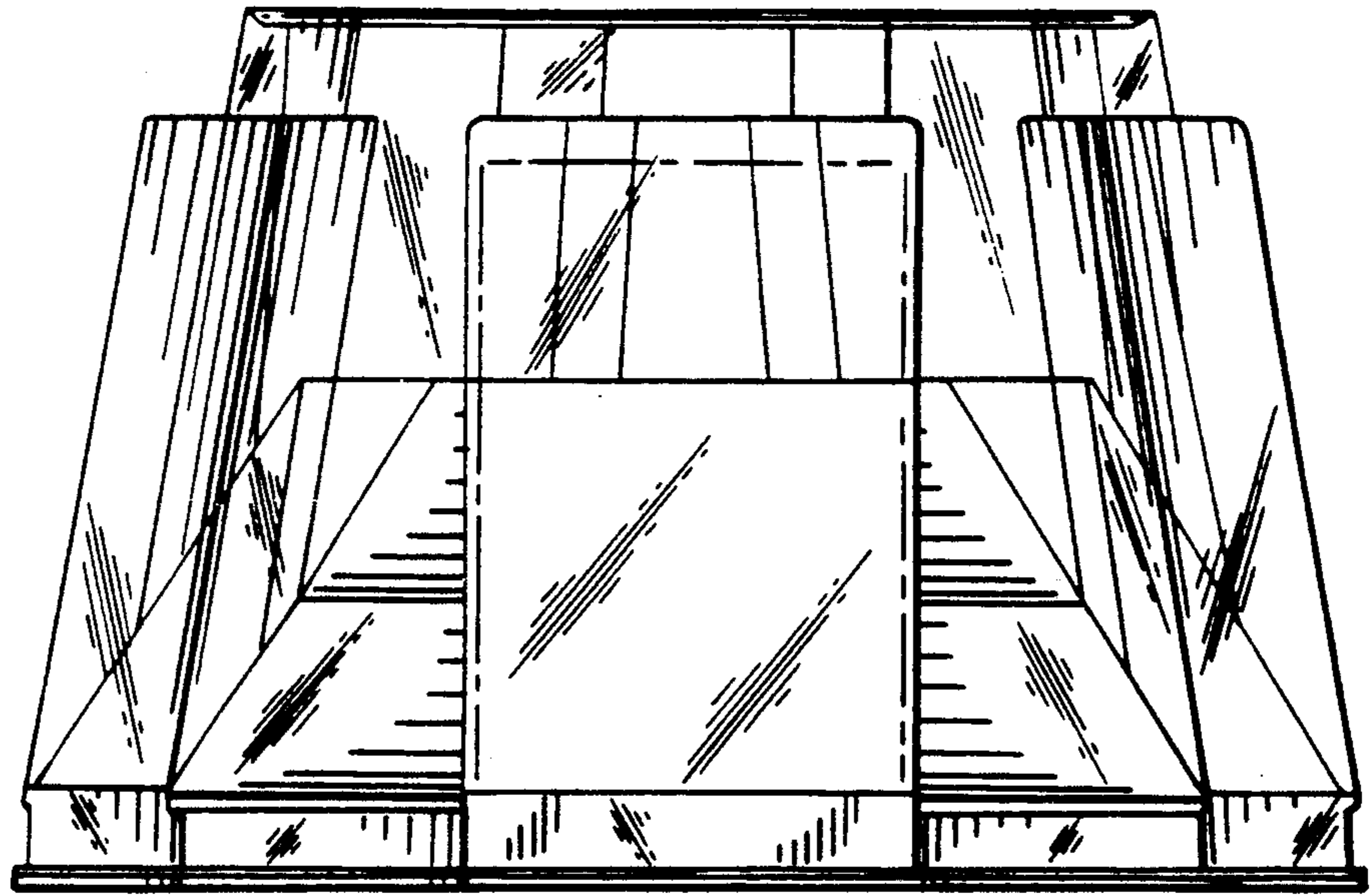
*FIG. 1*



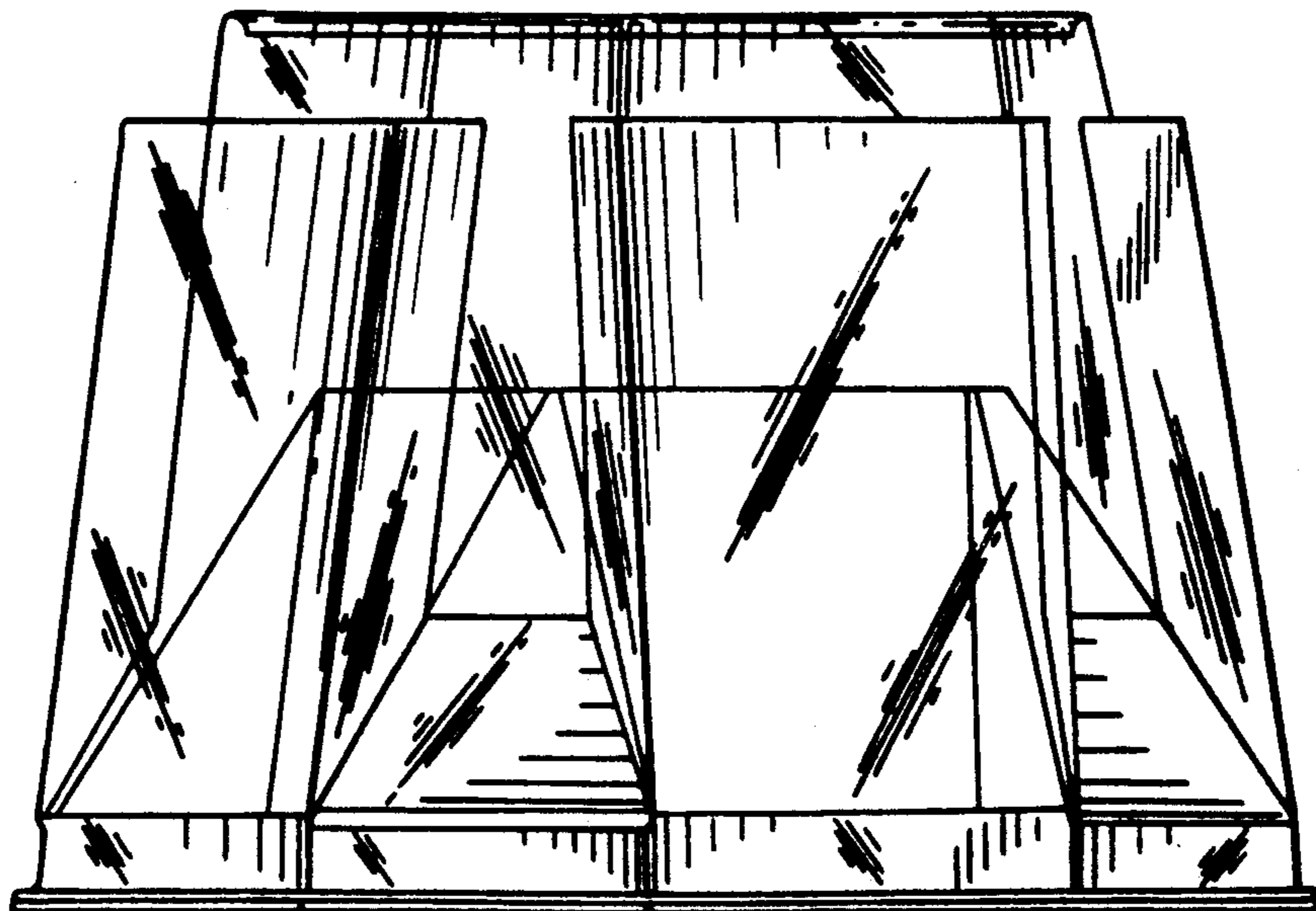
*FIG. 2*



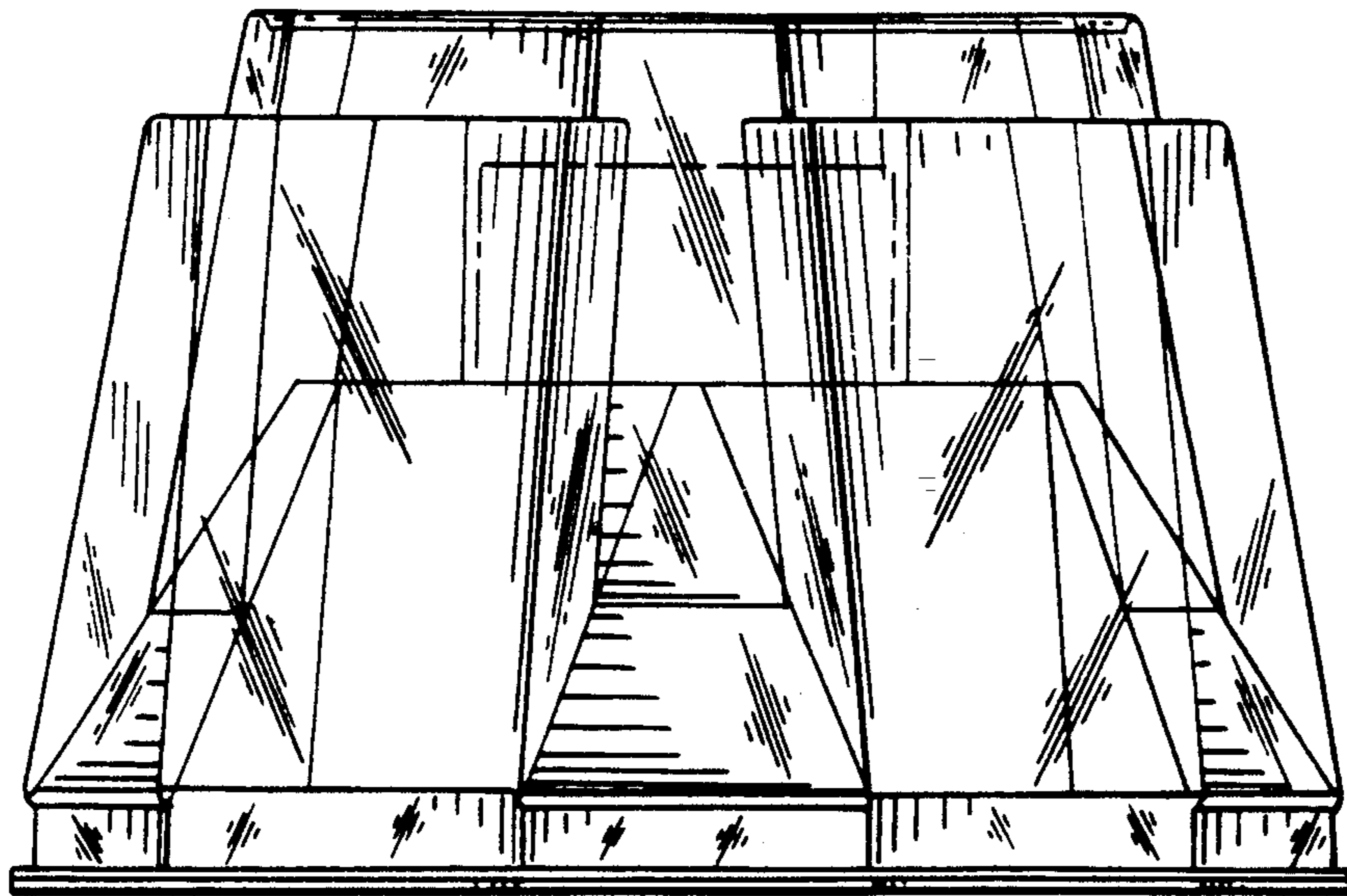
**FIG. 3**



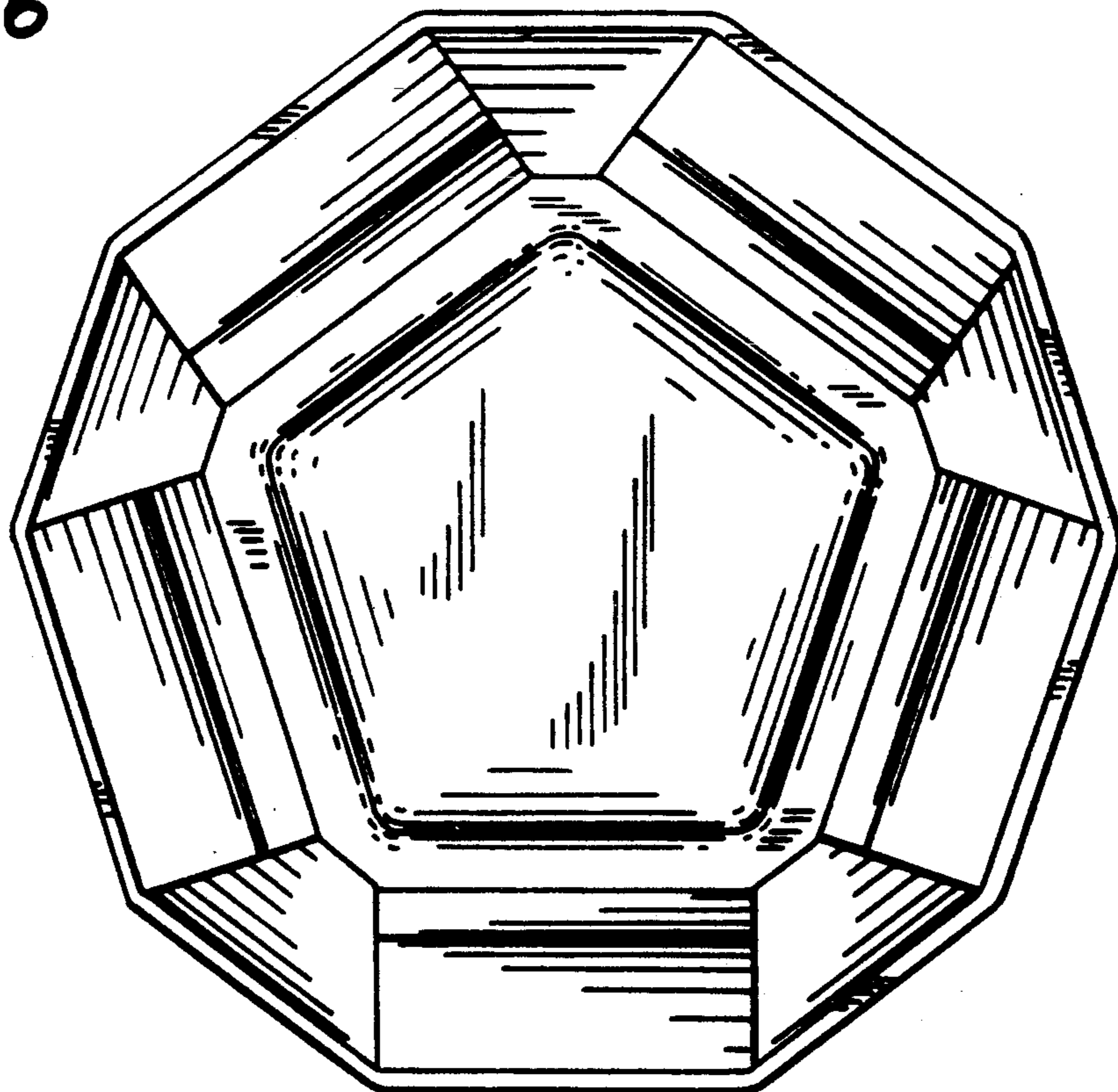
**FIG. 4**



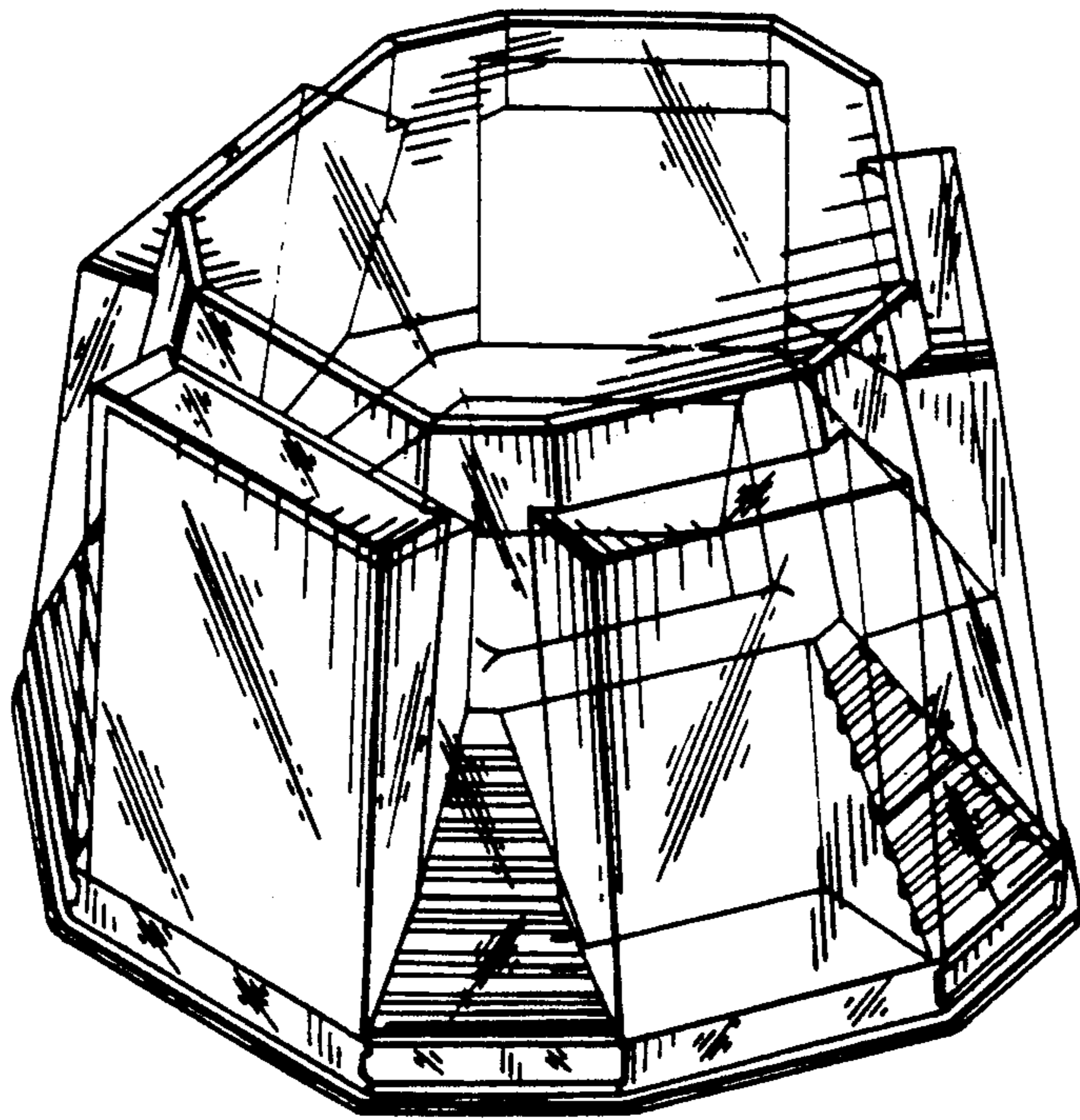
**FIG. 5**



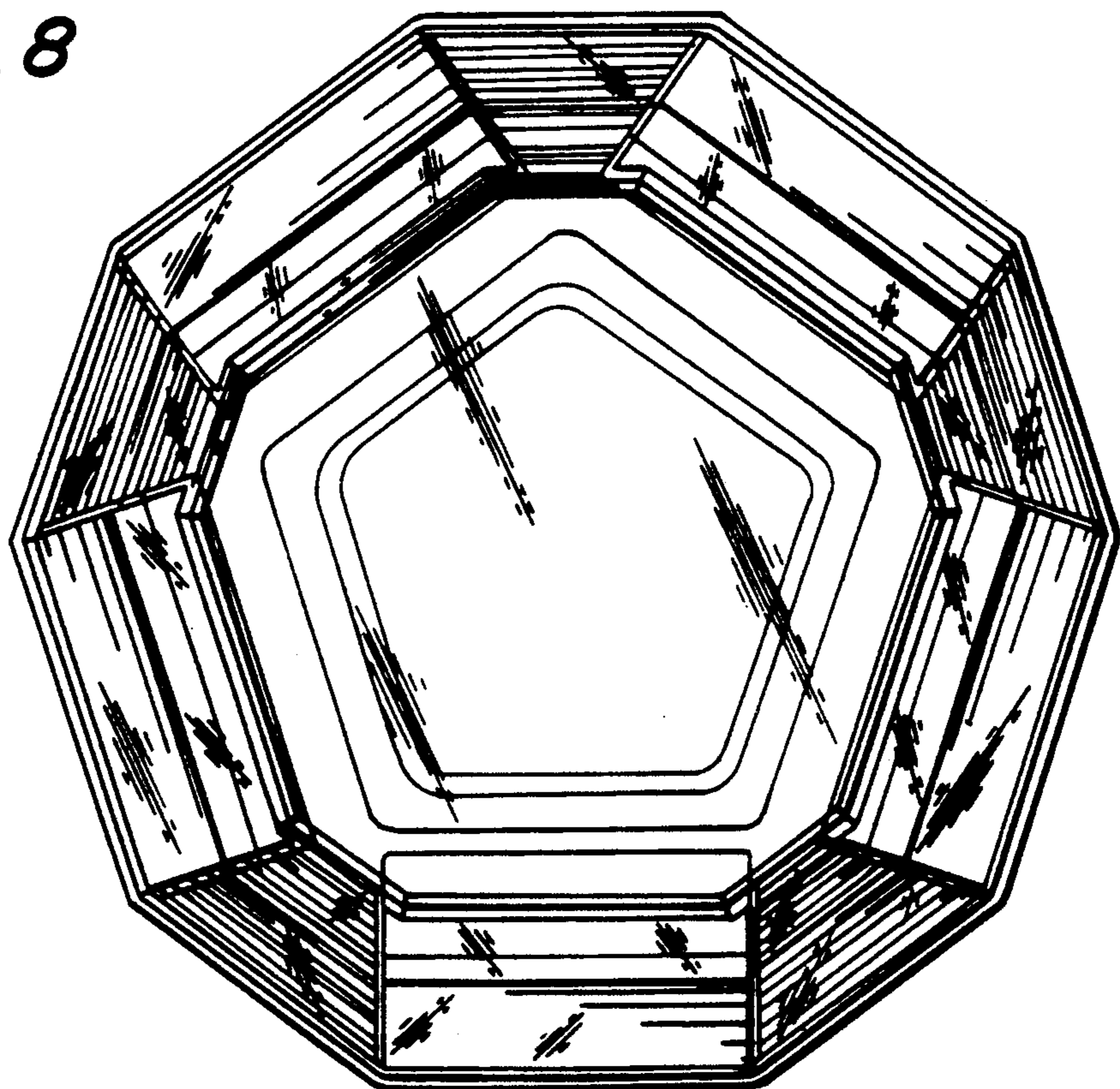
**FIG. 6**



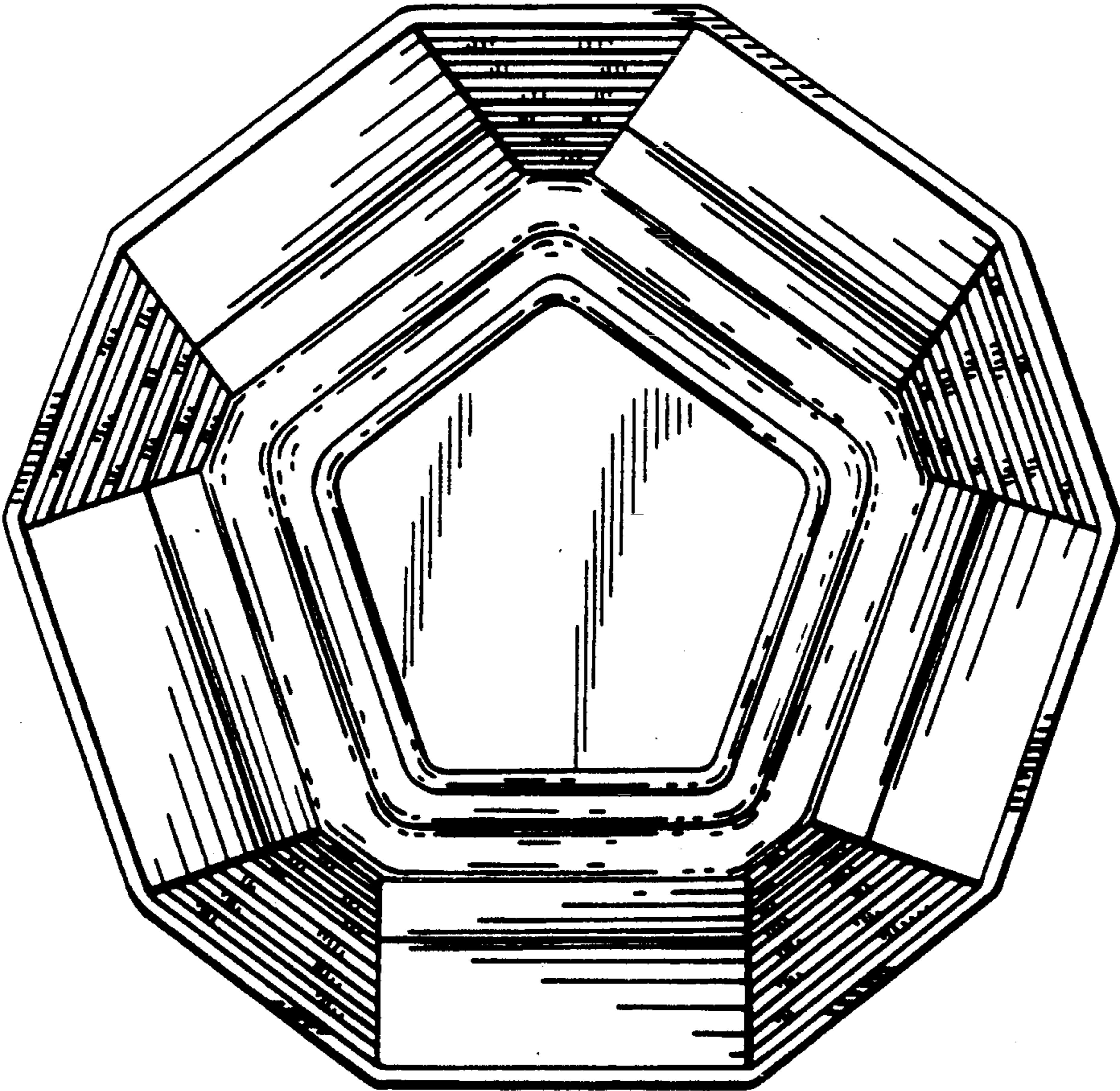
*FIG. 7*



*FIG. 8*



*FIG. 9*



UNITED STATES PATENT AND TRADEMARK OFFICE  
**CERTIFICATE OF CORRECTION**

**PATENT NO.** : Des. 328,958  
**DATED** : August 25, 1992  
**INVENTOR(S)** : David G. Bragin et al.

It is certified that error appears in the above-identified patent and that said Letters Patent is hereby corrected as shown below:

On the Title page, item [56], please insert the following:

-- D.	83130	1/31	Scholes	
	487967	12/1892	Roberts	
	1924823	8/33	Willi	
	2237126	4/41	Weinman	
	2435698	2/48	Running	
	3941247	3/76	Cripe	
	4374560	2/83	Howlett	
	4386729	6/83	Schmidt	
	4418862	12/83	Vesborg	
	4752007	6/88	Rossi et al.	
D.	298412	12/88	Ciuba	--

Signed and Sealed this

Twenty-first Day of September, 1993



Attest:

BRUCE LEHMAN

Attesting Officer

Commissioner of Patents and Trademarks