



US00D328949S

# United States Patent [19]

[11] Patent Number: **Des. 328,949**

Rodrigue, Jr.

[45] Date of Patent: **\*\* Aug. 25, 1992**

[54] **BABY STROLLER FAN**

3,697,198	10/1972	Holder, Jr.	417/411
3,963,382	6/1976	Patton	416/247 R
4,441,683	4/1984	Mayne	248/558

[76] Inventor: **Curtis J. Rodrigue, Jr., 447 Rushmore Dr., Baton Rouge, La. 70819**

### FOREIGN PATENT DOCUMENTS

[\*\*] Term: **14 Years**

253674 8/1964 Australia ..... 416/100

[21] Appl. No.: **816,055**

### OTHER PUBLICATIONS

[22] Filed: **Jan. 2, 1992**

Lakewood Engineering and Manufacturing Co. catalogue p. 3, Model 678-A Fan bottom left side of page. Machine Design, Jul. 1935, p. 36, Fan.

### Related U.S. Application Data

[63] Continuation-in-part of Ser. No. 541,389, Jun. 21, 1990.

[52] U.S. Cl. .... **D23/382**

[58] Field of Search ..... D23/382, 378, 370, 412, D23/411, 324; 416/247 R, 246, 100; 248/231.7, 558; 417/411; 392/361

*Primary Examiner*—Wallace R. Burke

*Assistant Examiner*—Lisa Lichtenstein

*Attorney, Agent, or Firm*—Leon Gilden

### [56] References Cited

#### U.S. PATENT DOCUMENTS

D. 109,143	4/1938	Kruck	D23/382
624,222	5/1899	Krause et al.	416/146 R
1,954,872	4/1934	Gilbert et al.	392/361
2,056,547	10/1936	Weber	416/247 R
2,433,280	12/1947	Koch et al.	416/247 R
3,262,638	7/1966	Militello	416/247 R
3,535,508	10/1970	Warshauer	248/231.7

### [57] CLAIM

The ornamental design for a baby stroller fan, as shown and described.

### DESCRIPTION

FIG. 1 is a front elevational view of a baby stroller fan showing my new design; FIG. 2 is a rear elevational view thereof; FIG. 3 is a left side elevational view thereof; FIG. 4 is a right side elevational view thereof; FIG. 5 is a top plan view thereof; and, FIG. 6 is a bottom plan view thereof.

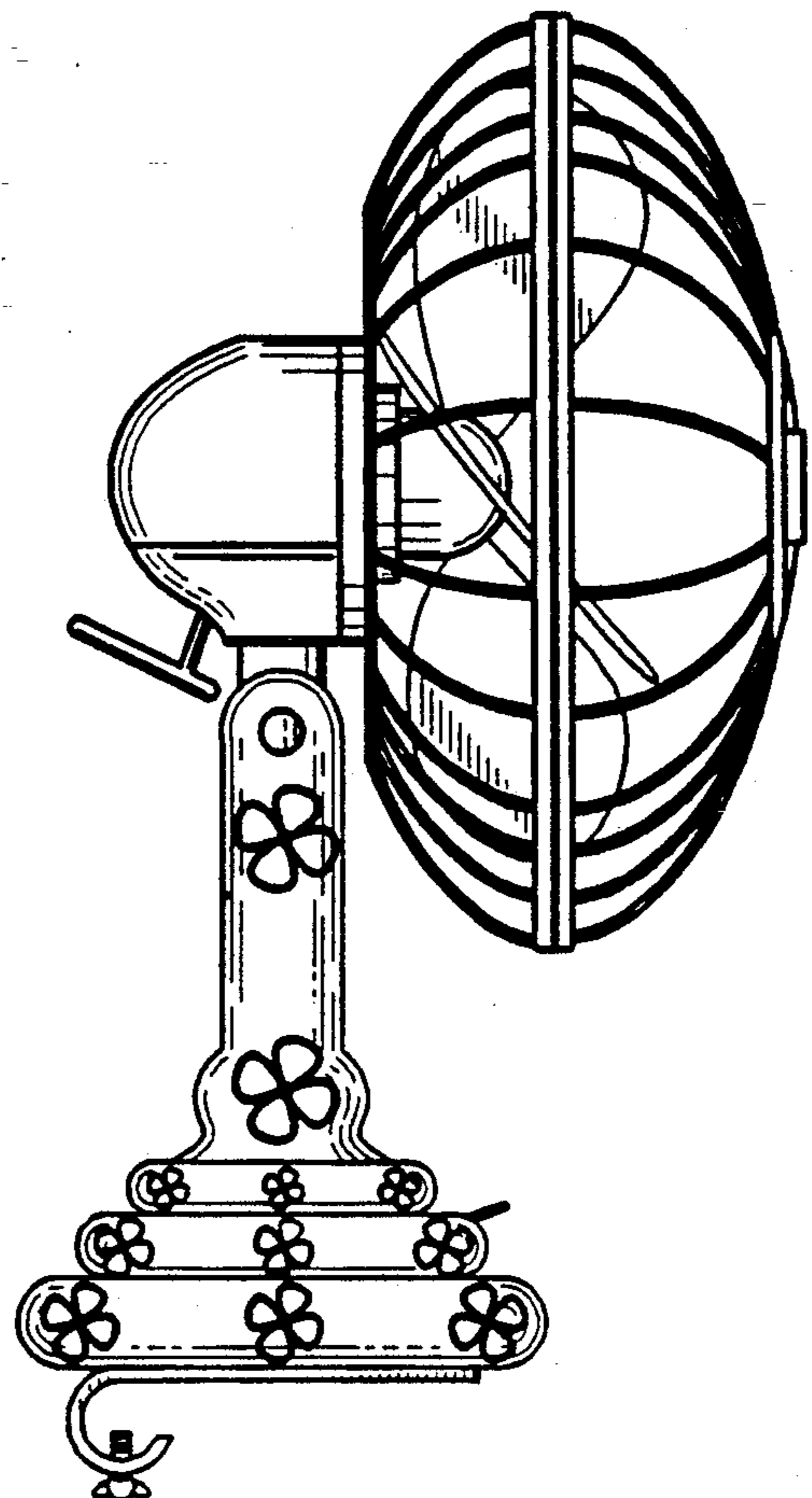
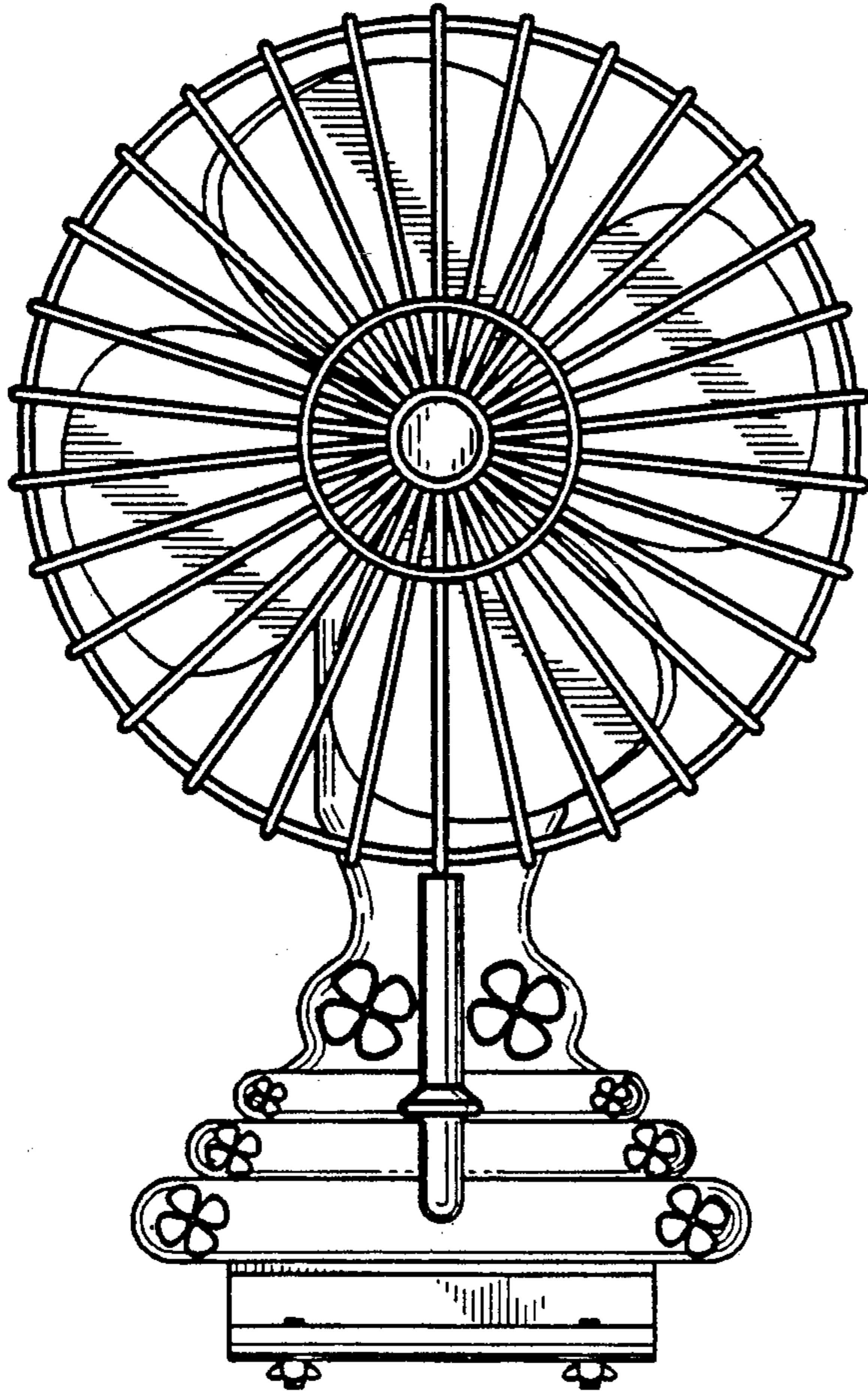


FIG. 1

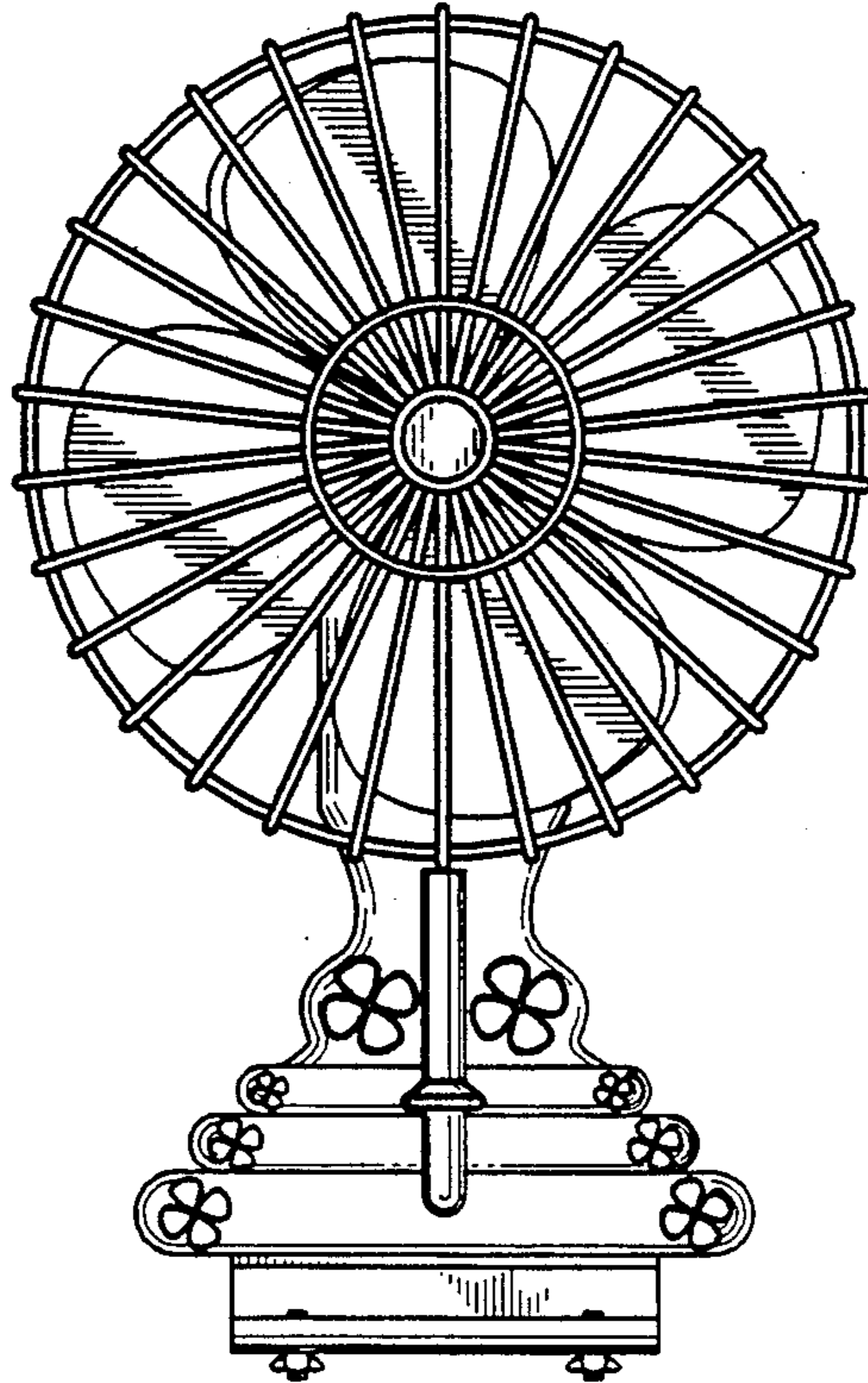


FIG. 2

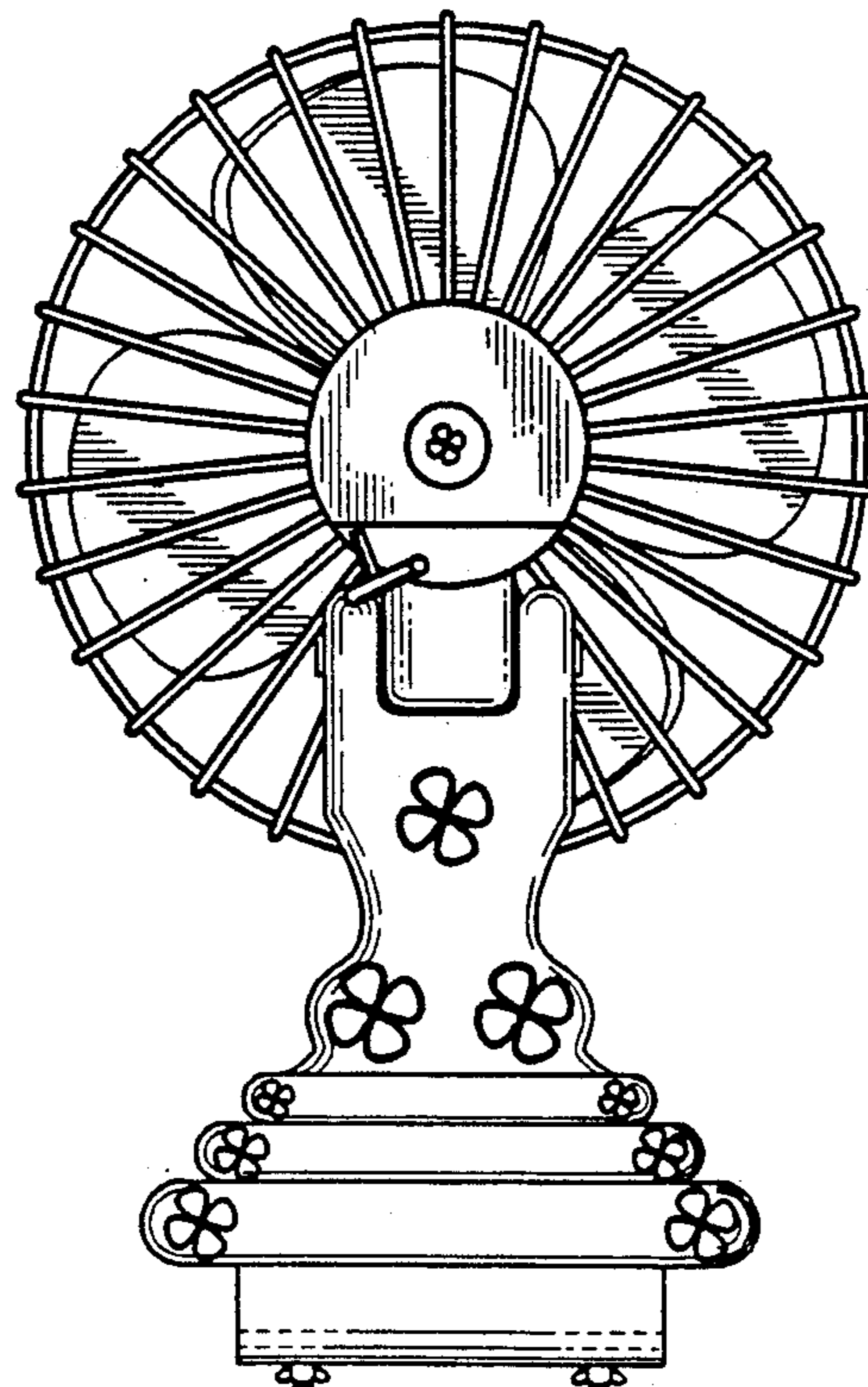


FIG. 3

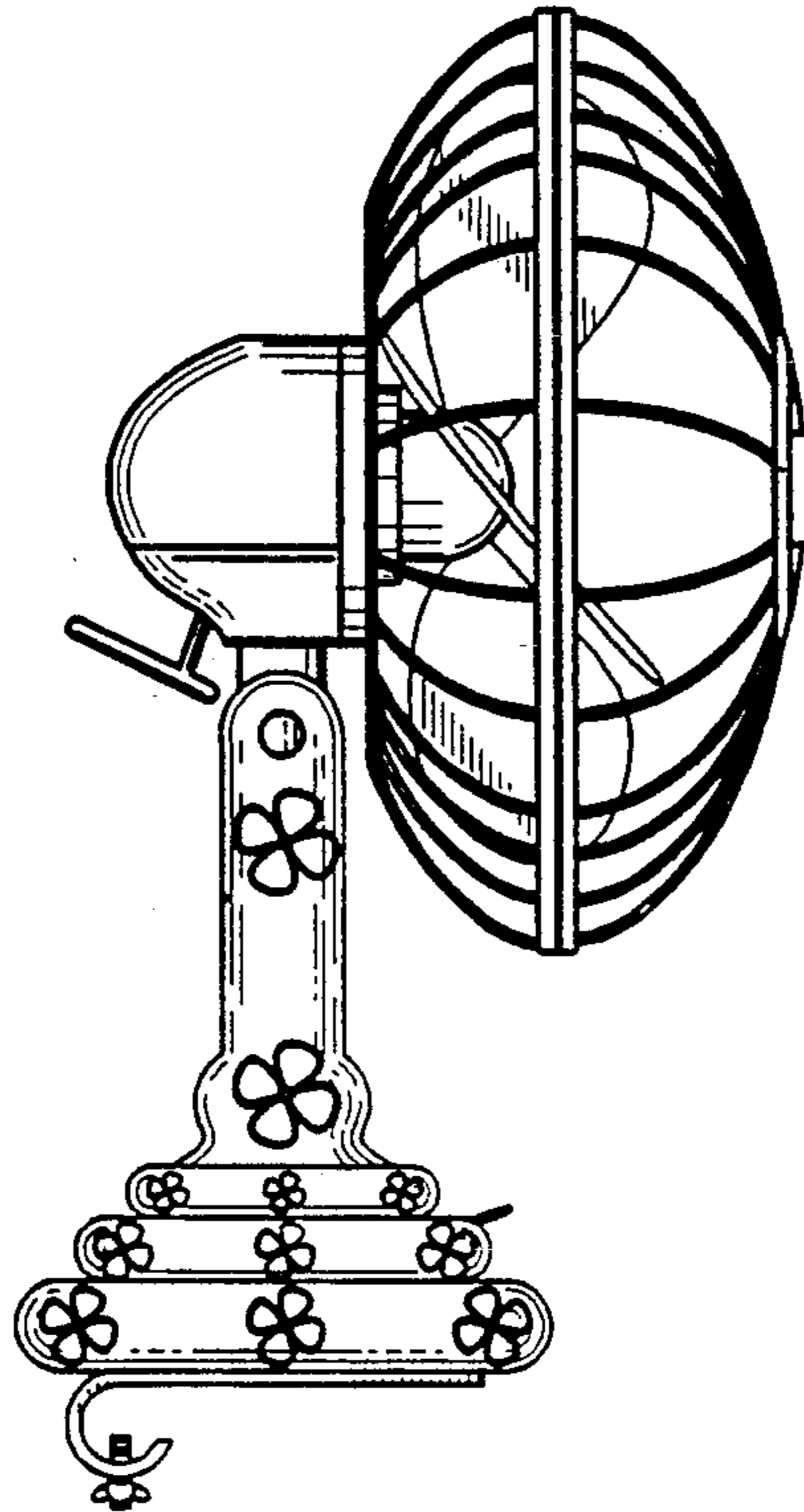


FIG. 4

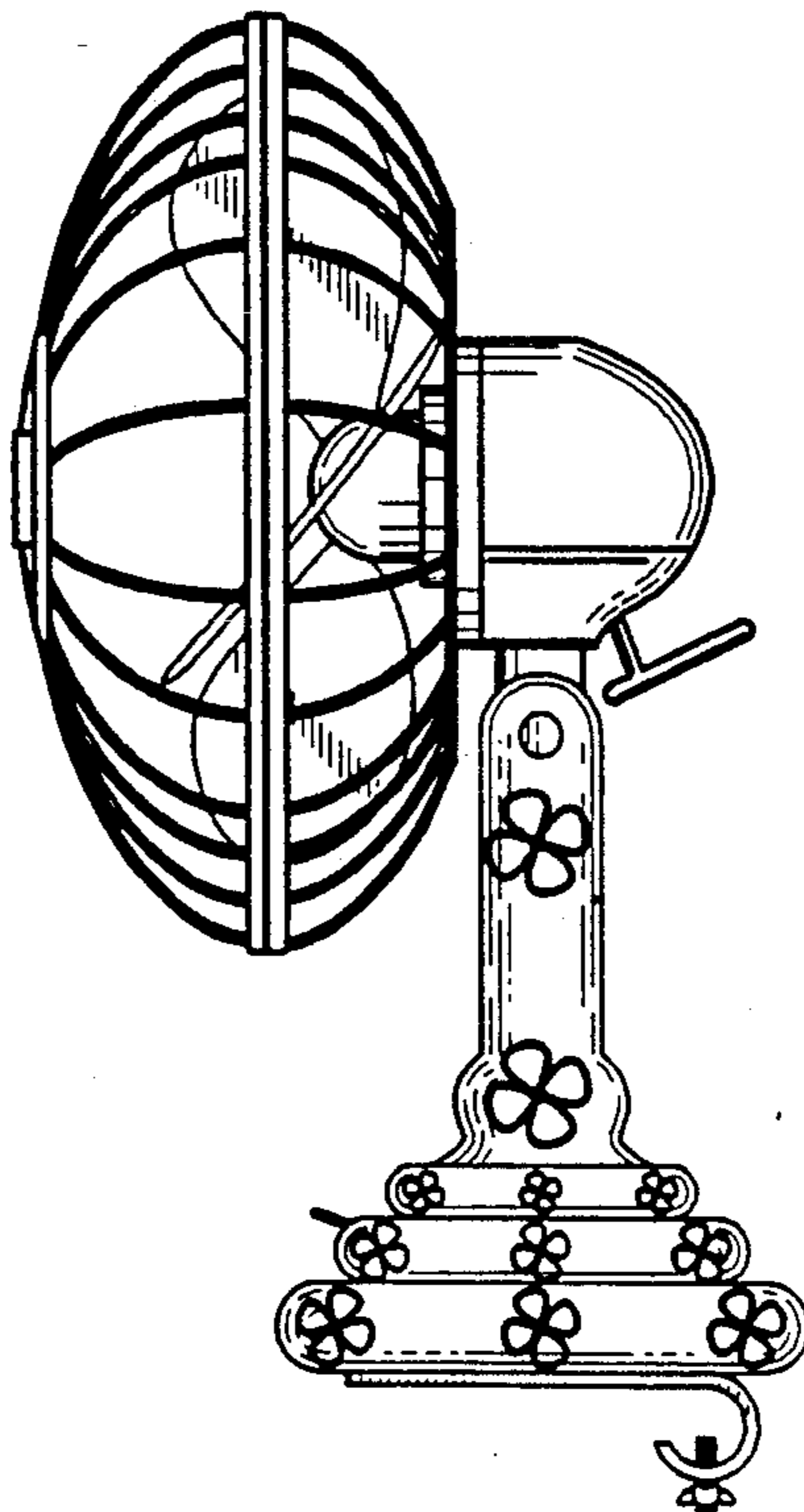


FIG. 5

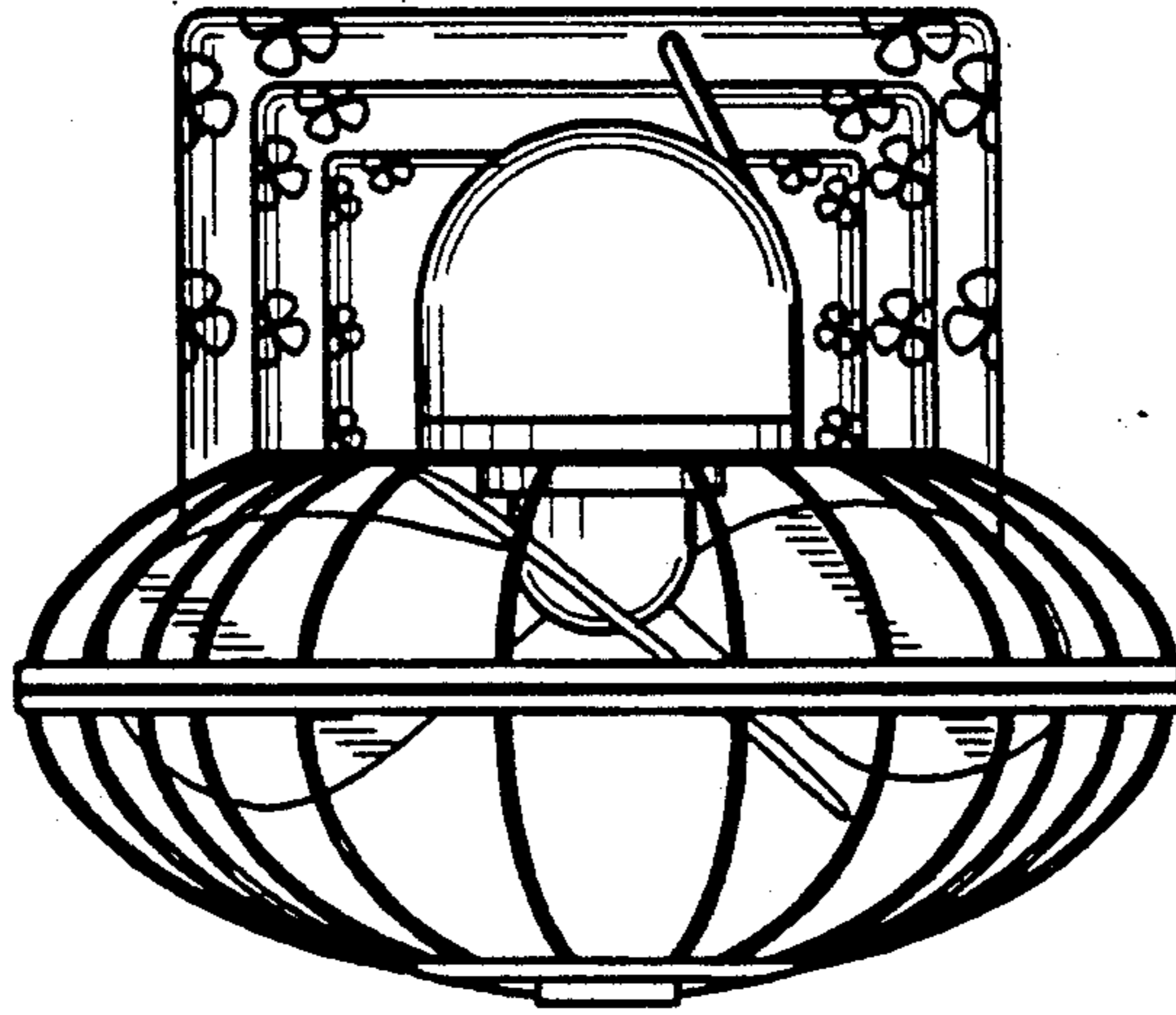


FIG. 6

