



US00D328948S

United States Patent [19]

[11] Patent Number: **Des. 328,948**

Wang

[45] Date of Patent: **** Aug. 25, 1992**

[54] **COMBINED CEILING FAN AND LIGHT**

2,759,546 8/1956 Zabriskie 362/96

[76] Inventor: **Paul W. Wang**, No. 500, Sanfeng Rd., Houli Hsiang, Taichung Hsien, Taiwan

Primary Examiner—Wallace R. Burke
Assistant Examiner—Lisa Lichtenstein
Attorney, Agent, or Firm—Dellert, Smith-Hill and Bedell

[**] Term: **14 Years**

[57] **CLAIM**

[21] Appl. No.: **765,096**

The ornamental design for a combined ceiling fan and light, as shown and described.

[22] Filed: **Sep. 25, 1991**

[52] U.S. Cl. **D23/377**

DESCRIPTION

[58] Field of Search **D23/377, 385, 379; 416/5; 362/96, 234, 404, 147; 392/362, 364**

FIG. 1 is a top front and right side perspective view of a combined ceiling fan and light showing my new design;

[56] **References Cited**

U.S. PATENT DOCUMENTS

D. 295,555	5/1988	Greenberg	D23/377
D. 305,059	12/1989	Miranda et al.	D23/377
D. 315,205	3/1991	Cook	D23/377
D. 322,475	12/1991	Markwardt et al.	D23/377
2,130,802	9/1938	Kisung	416/5

FIG. 2 is a front elevational view thereof;

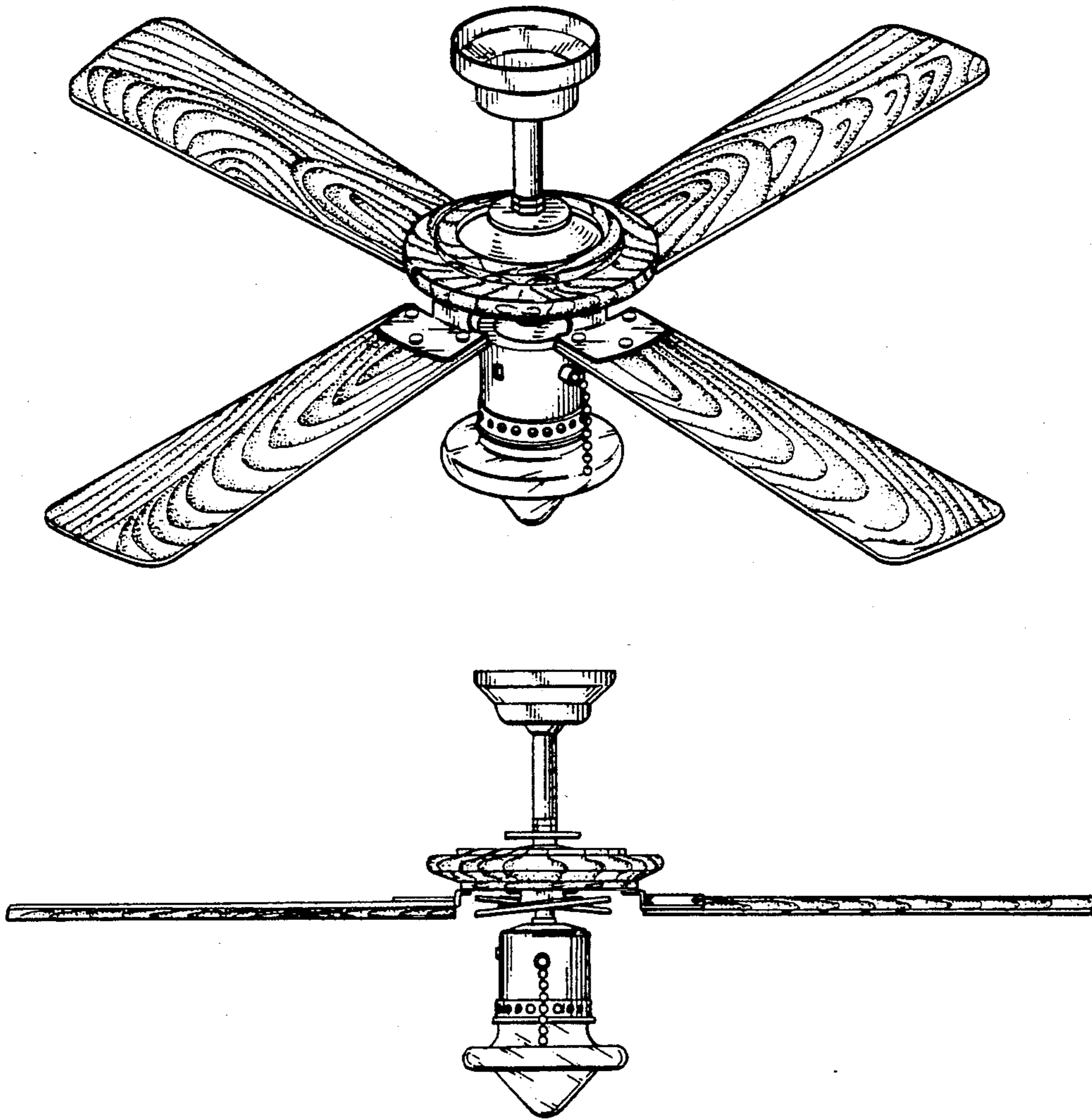
FIG. 3 is a top plan view thereof;

FIG. 4 is a bottom plan view thereof;

FIG. 5 is a right side elevational view thereof; and,

FIG. 6 is a left side elevational view thereof.

The rear of the claimed design is a mirror image of the front.



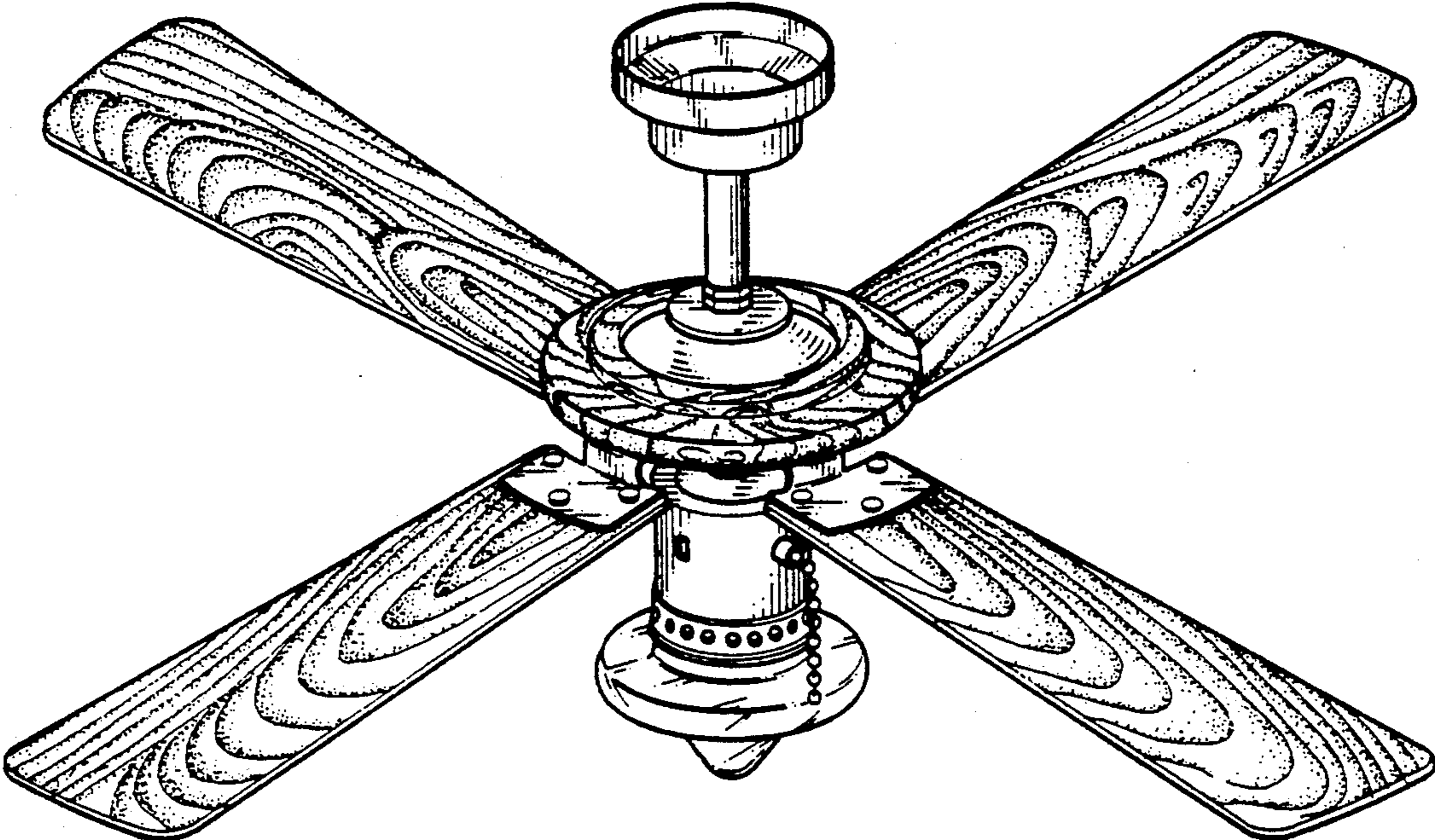


FIG. 1

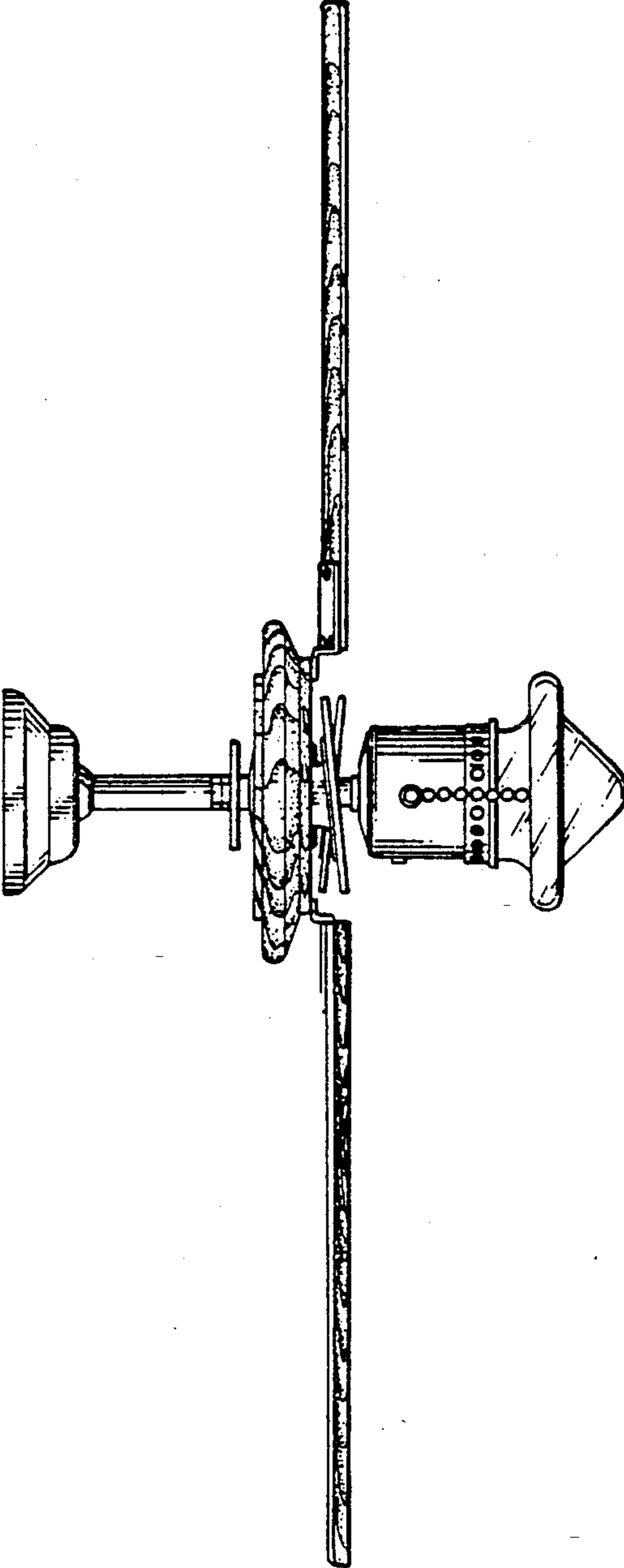


FIG. 2

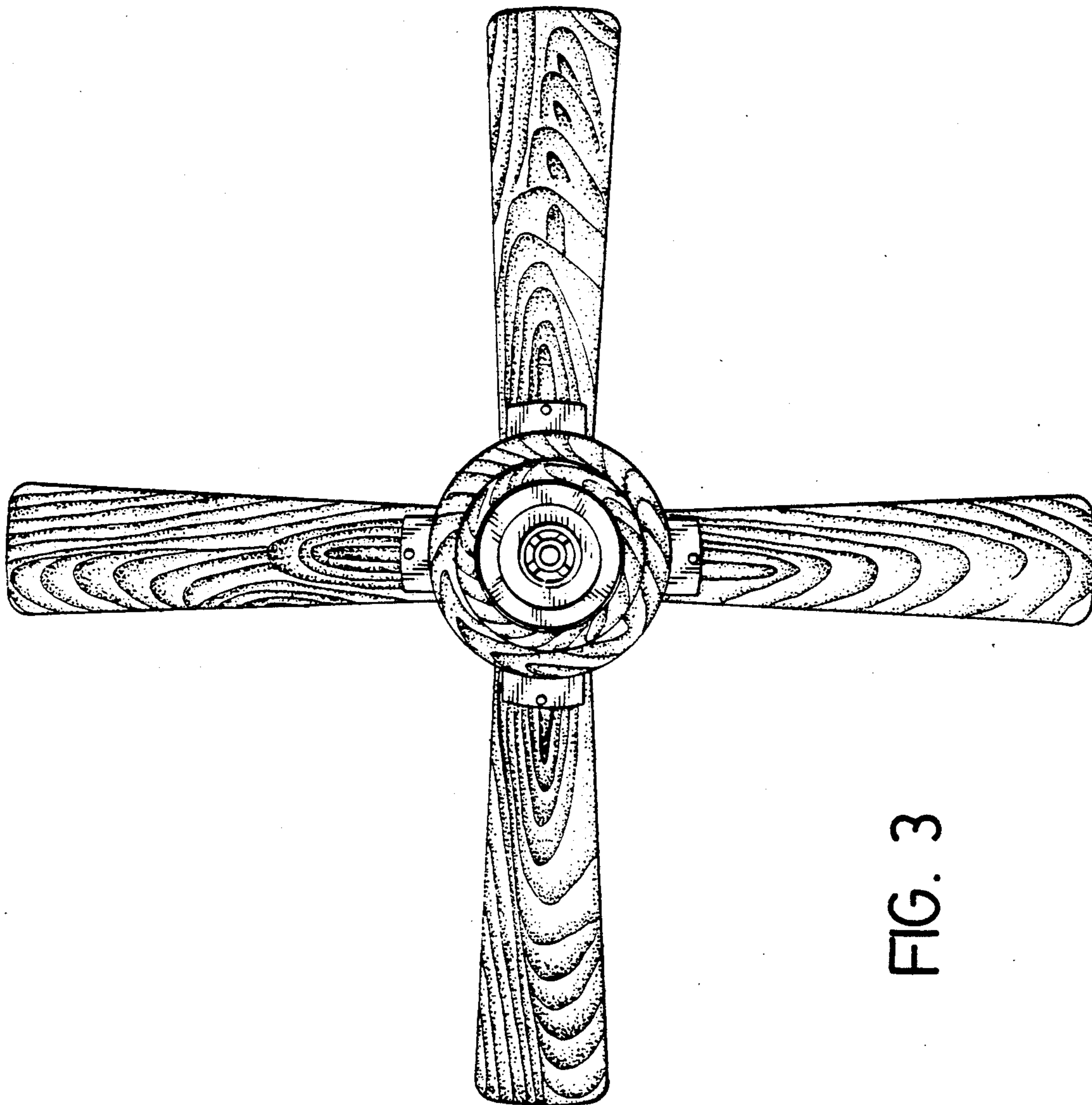


FIG. 3

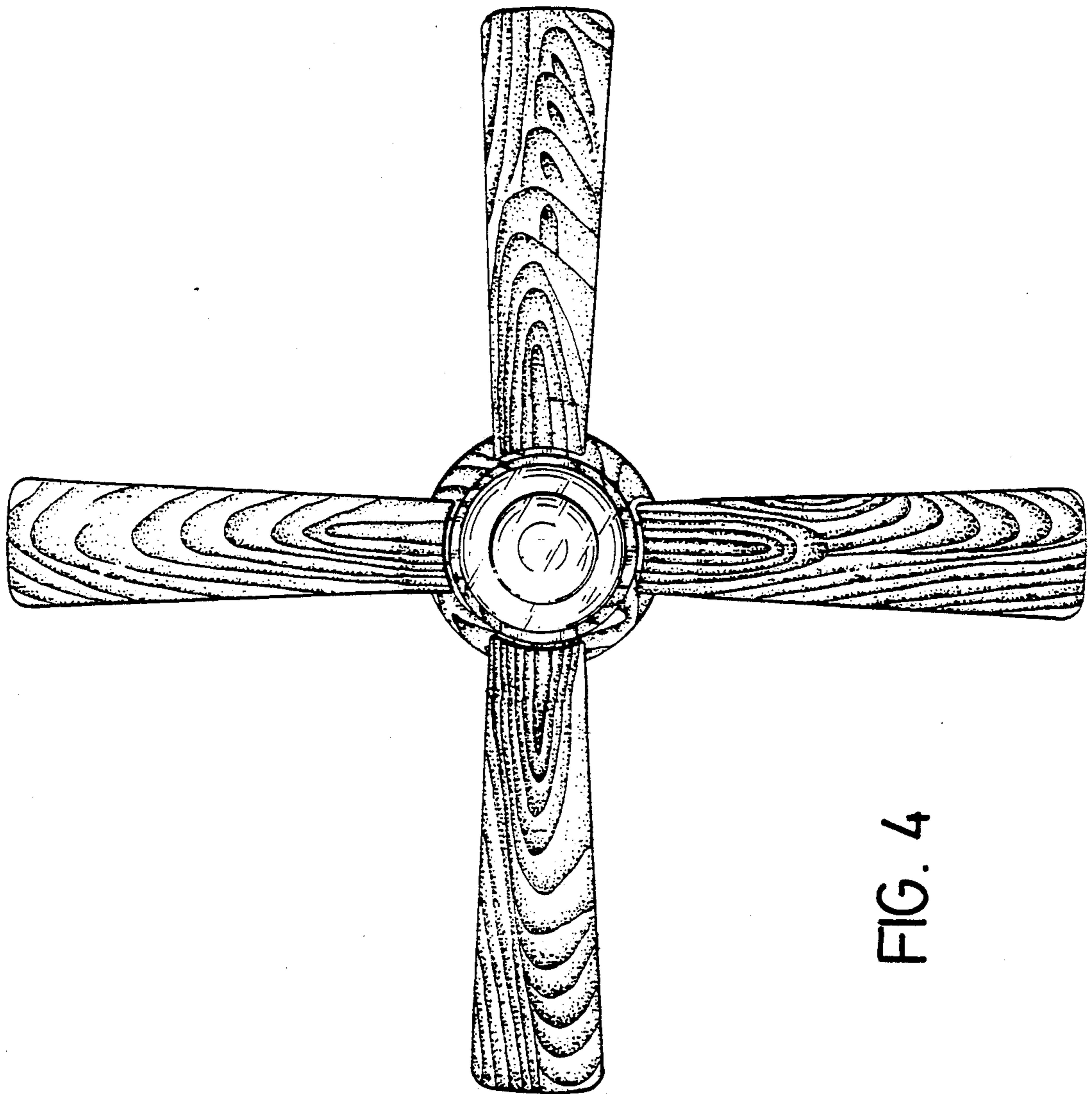


FIG. 4

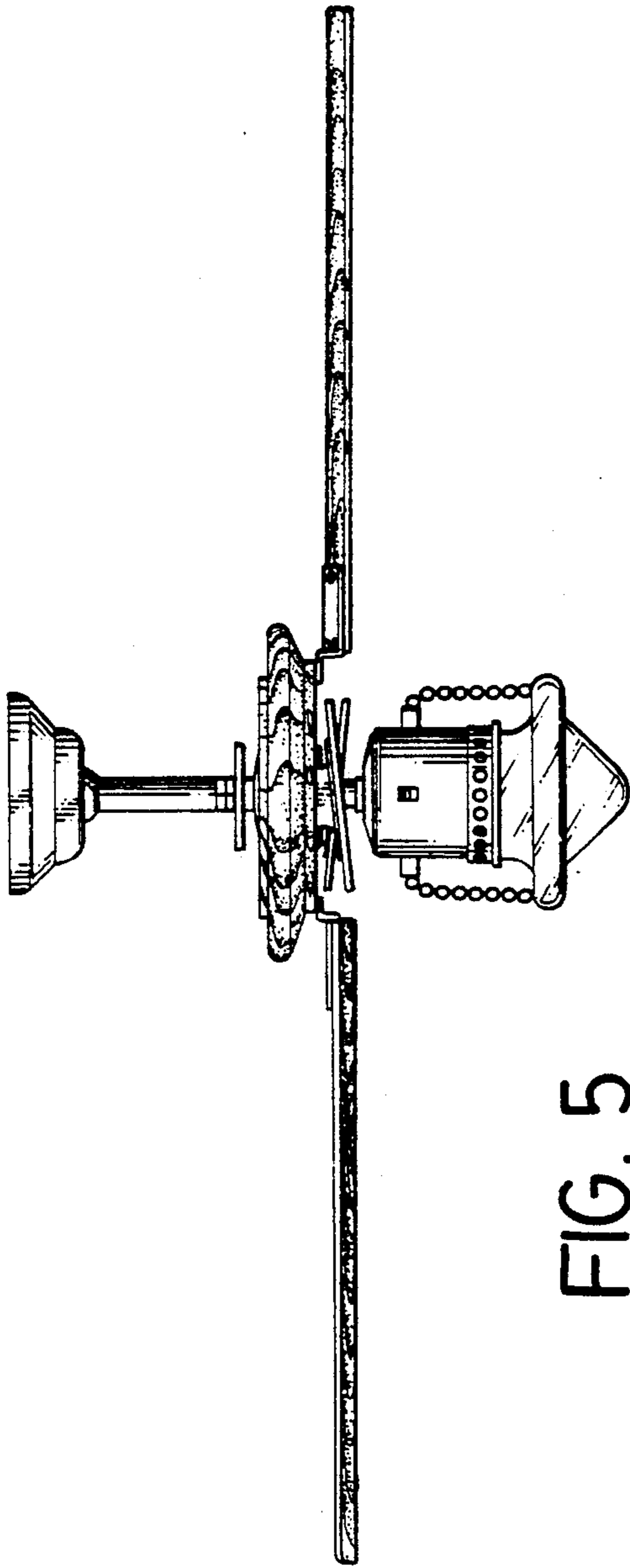


FIG. 5

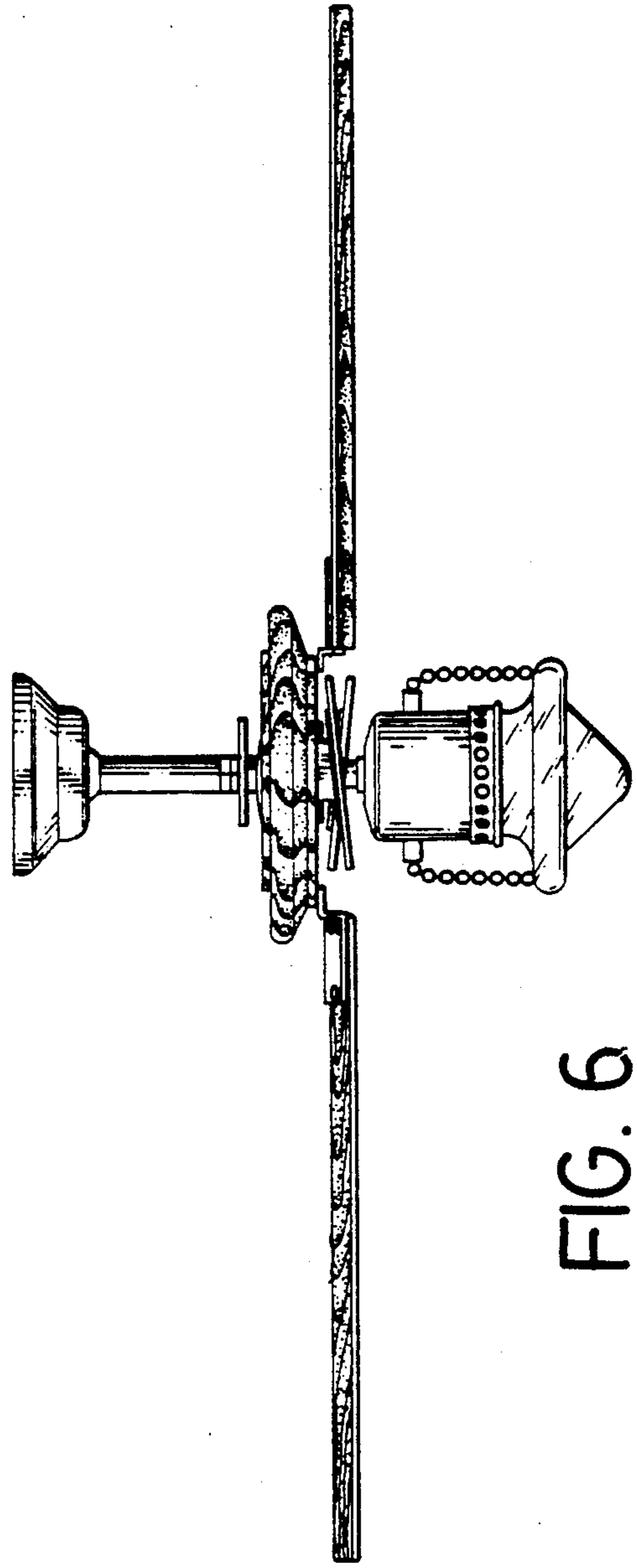


FIG. 6