



US00D328947S

United States Patent [19]

[11] Patent Number: **Des. 328,947**

Holbrook

[45] Date of Patent: **** Aug. 25, 1992**

[54] **COMBINED ELECTRIC CEILING FAN AND LIGHT**

[75] Inventor: **Richard M. Holbrook**, Redondo Beach, Calif.

[73] Assignee: **Casablanca Fan Company, Inc.**, City of Industry, Calif.

[**] Term: **14 Years**

[21] Appl. No.: **762,950**

[22] Filed: **Sep. 19, 1991**

[52] U.S. Cl. **D23/377**

[58] Field of Search **D23/377, 379, 385; 392/362, 364; 362/96, 234, 404, 147**

[56] **References Cited**

U.S. PATENT DOCUMENTS

D. 315,947	4/1991	Hollbrook	D23/377
4,342,073	7/1982	Ranten	D23/377
4,428,032	1/1984	Workman	D23/377
4,626,970	12/1986	Huang	D23/411

OTHER PUBLICATIONS

Casablanca Fan Co. Cat., p. 6, Ceiling Fan Model 2262.

Moss Manufacturing, Ind. Cat, back cover, ceiling fan, top right of side of page.

Encon Industries, Inc. 1982 Brochure, p. 1, Ceiling Fan (B) top left side of page.

Primary Examiner—Wallace R. Burke

Assistant Examiner—Lisa Lichtenstein

Attorney, Agent, or Firm—Charles H. Schwartz;

Ellsworth R. Roston

[57] **CLAIM**

The ornamental design for a combined electric ceiling and light, as shown and described.

DESCRIPTION

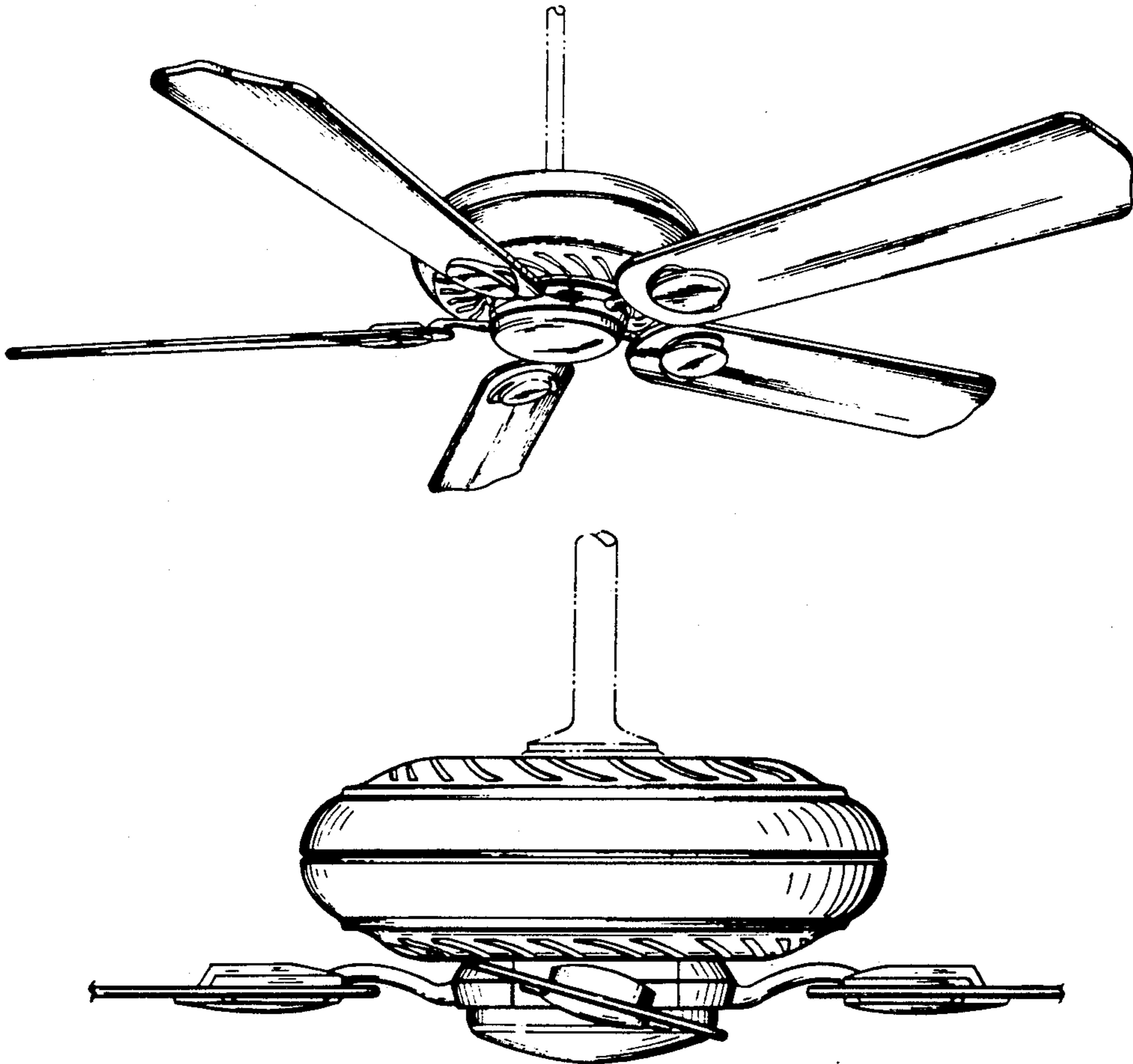
FIG. 1 is a bottom perspective view of a combined ceiling fan and light showing my new design;

FIG. 2 is an enlarged side elevation view thereof, the other side views being substantially identical to that shown;

FIG. 3 is an enlarged bottom plan view thereof; and,

FIG. 4 is an enlarged top plan view thereof.

The broken line showing of environmental structure in FIGS. 1 and 2, is for illustrative purposes only and forms no part of the claimed design. The blades have been broken away in FIGS. 2-4 for convenience of illustration.



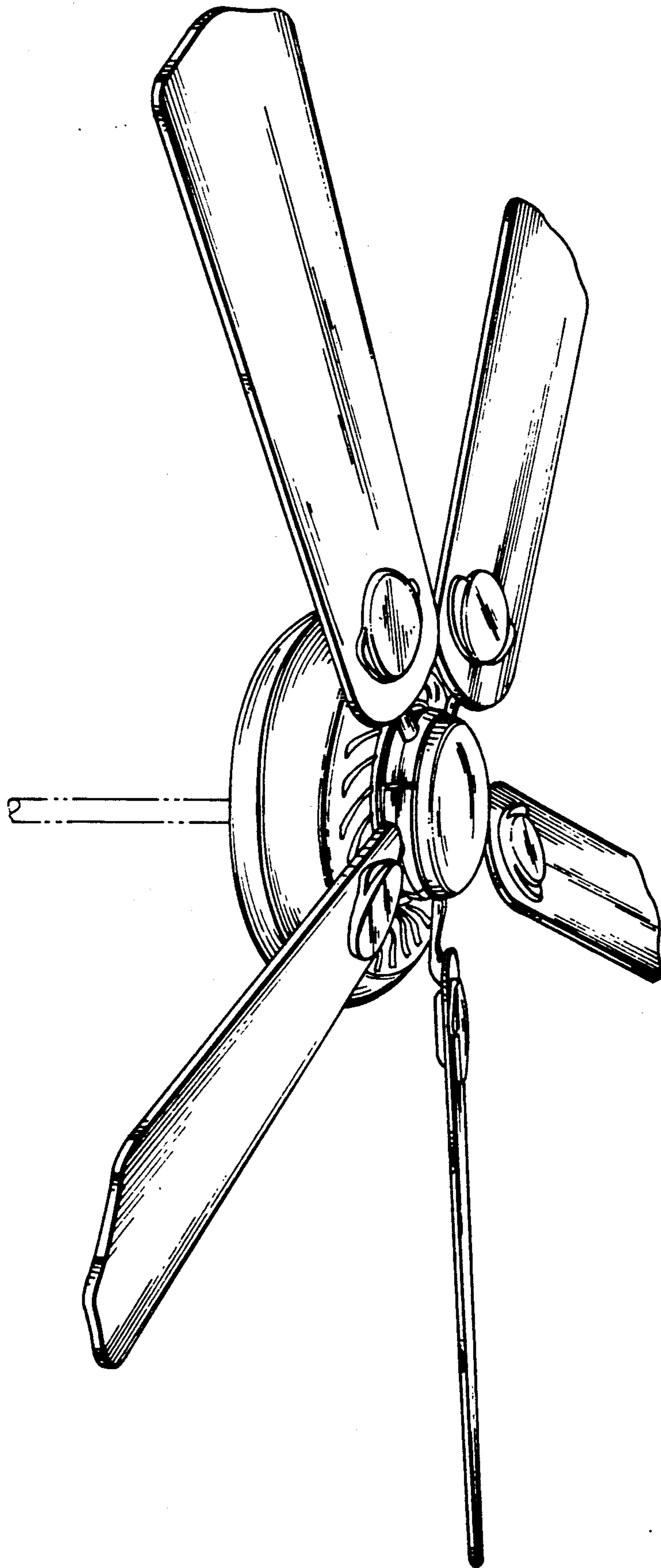


FIG. 1

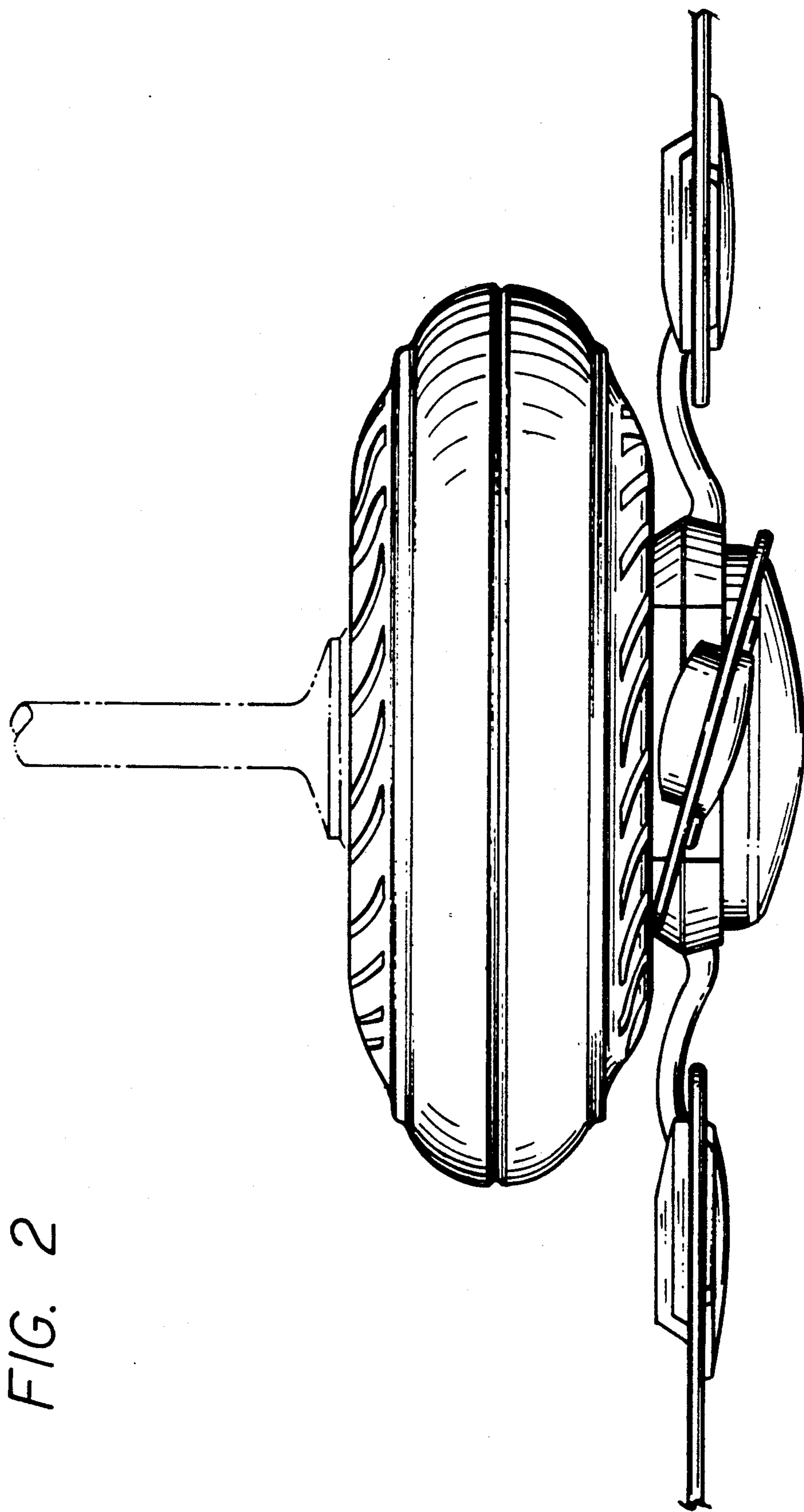


FIG. 2

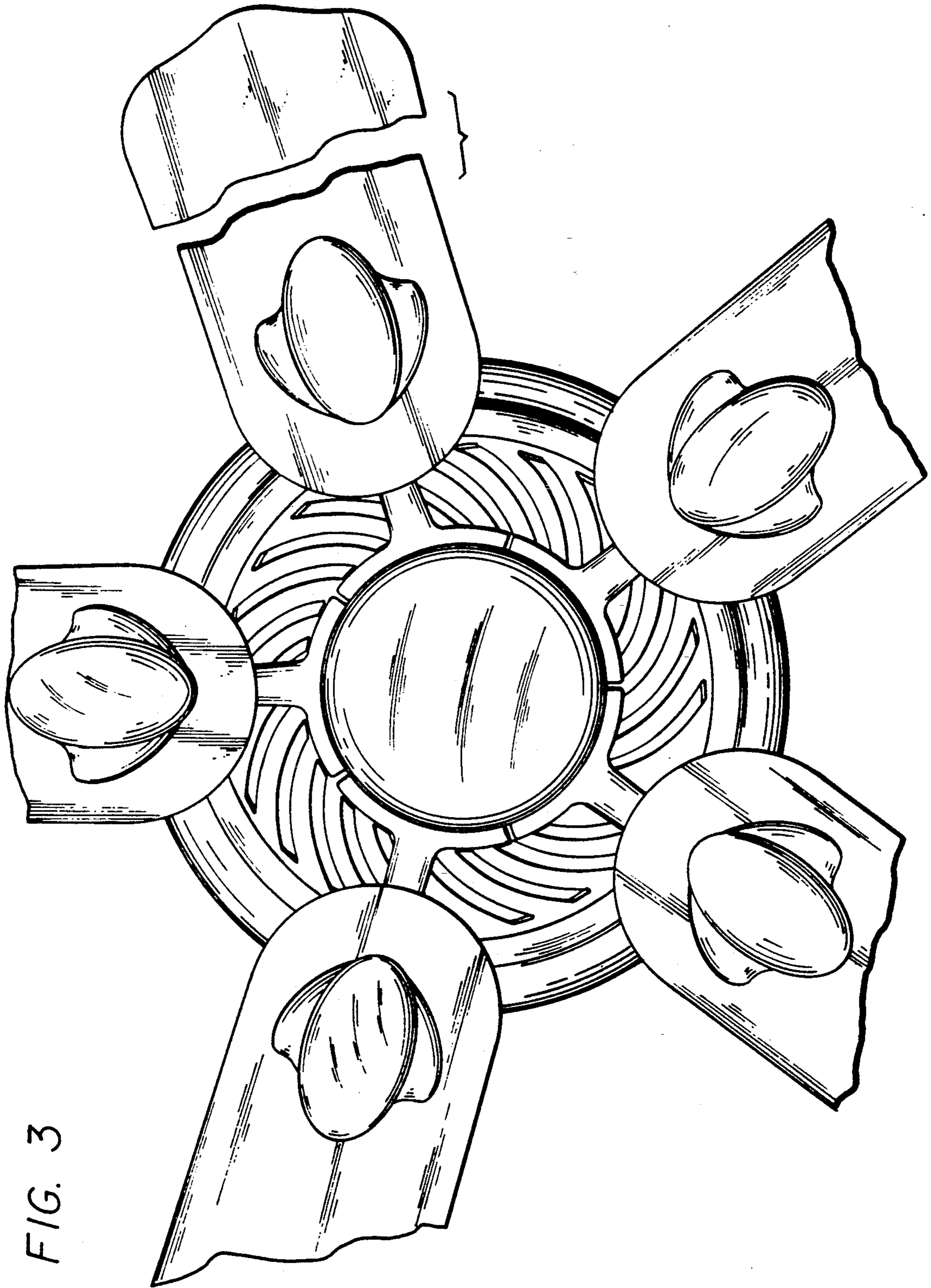


FIG. 3

FIG. 4

