



US00D328945S

United States Patent [19]

[11] Patent Number: **Des. 328,945**

Aarthun et al.

[45] Date of Patent: **** Aug. 25, 1992**

[54] VALVE

[76] Inventors: **Nils I. Aarthun**, Egnahemsvägen 3B, Partille, Sweden, 433 62; **Peter Löfgren**, Arkitektvägen 6, Hovås, Sweden, 430 80

[**] Term: **14 Years**

[21] Appl. No.: **447,706**

[22] Filed: **Dec. 8, 1989**

D. 236,266 8/1975 Holben D23/235
3,838,707 10/1974 Wachowitz, Jr. 251/63.5 X
4,421,295 12/1983 Parkison 251/331 X
4,819,691 4/1989 Lofgren et al. 137/556

Primary Examiner—James R. Largen
Attorney, Agent, or Firm—Wegner, Cantor, Mueller & Player

[57] CLAIM

The ornamental design for a valve, as shown and described.

DESCRIPTION

FIG. 1 is a right side elevational view of a valve showing our new design, the left side being a mirror image of the right side;
FIG. 2 is a perspective view taken from the top, front and right side thereof;
FIG. 3 is another perspective view taken from the top, rear and left side thereof;
FIG. 4 is a third perspective view taken from the bottom, rear and right side thereof;
FIG. 5 is a top, front perspective view of the valve body thereof;
FIG. 6 is a top, rear perspective view of FIG. 5; and,
FIG. 7 is a bottom perspective view of the valve actuator thereof.

Related U.S. Application Data

[63] Continuation of Ser. No. 921,201, Oct. 21, 1986, abandoned.

[52] U.S. Cl. **D23/233**

[58] Field of Search **D23/233-237, D23/244-249; 137/556; 251/63.5, 331**

[56] References Cited

U.S. PATENT DOCUMENTS

D. 96,405 7/1935 Murphy D23/235
D. 152,809 2/1949 MacCauley D23/235
D. 154,427 7/1949 Peterson D23/233
D. 168,641 1/1953 St. Clair et al. D23/235
D. 186,489 10/1959 Frye D23/248
D. 234,200 1/1975 Buechler D23/245

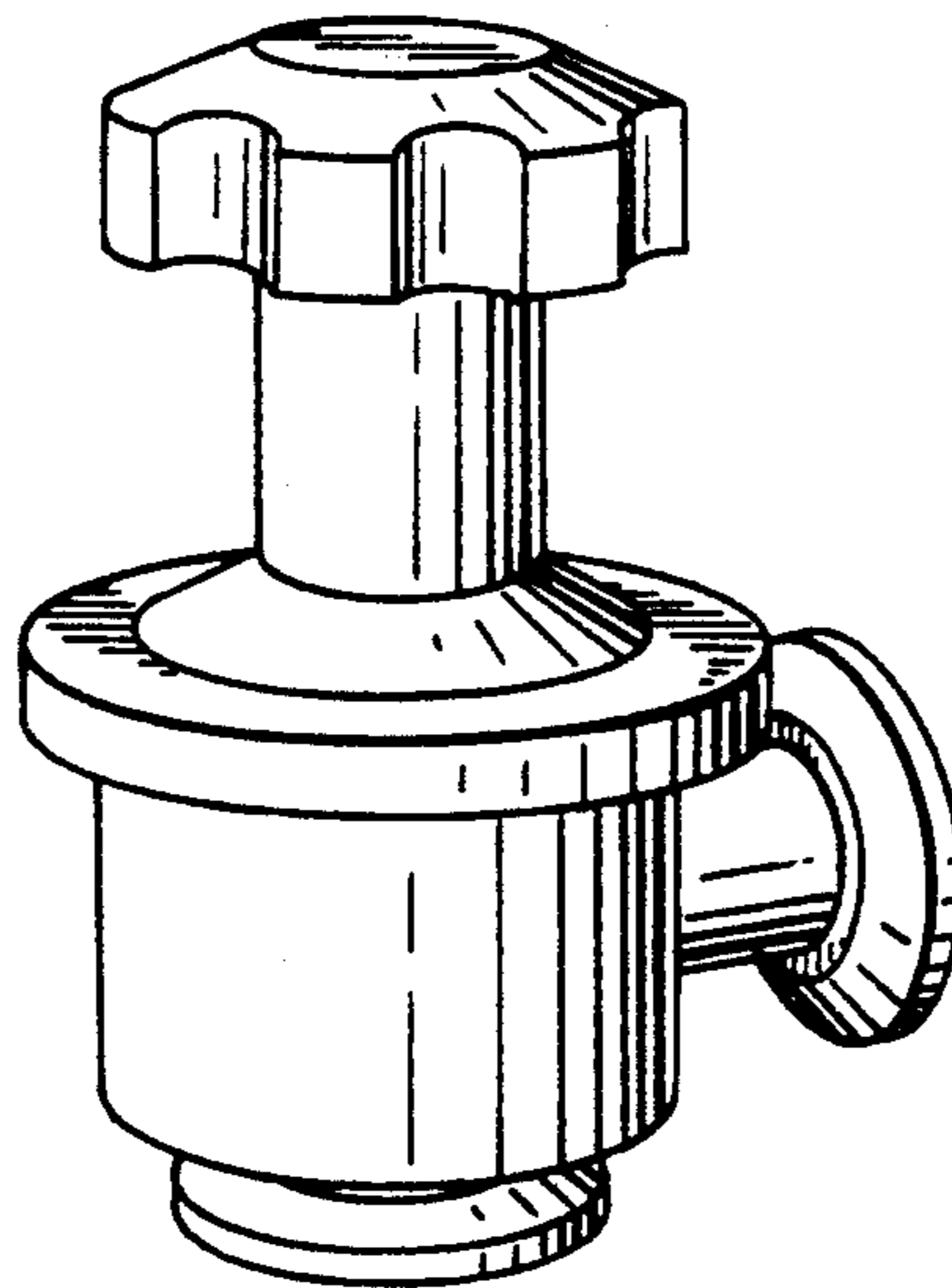


FIG. 1

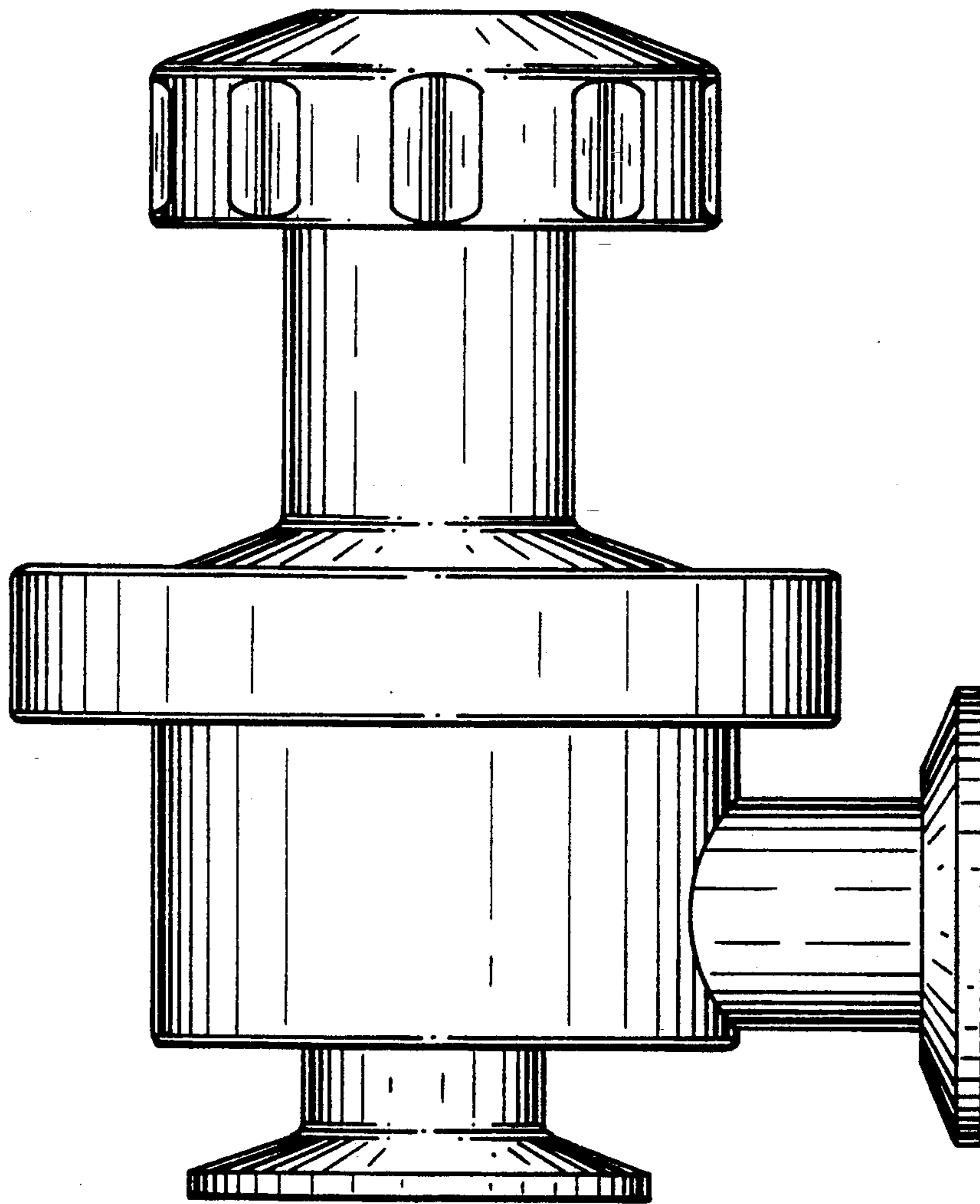


FIG. 2

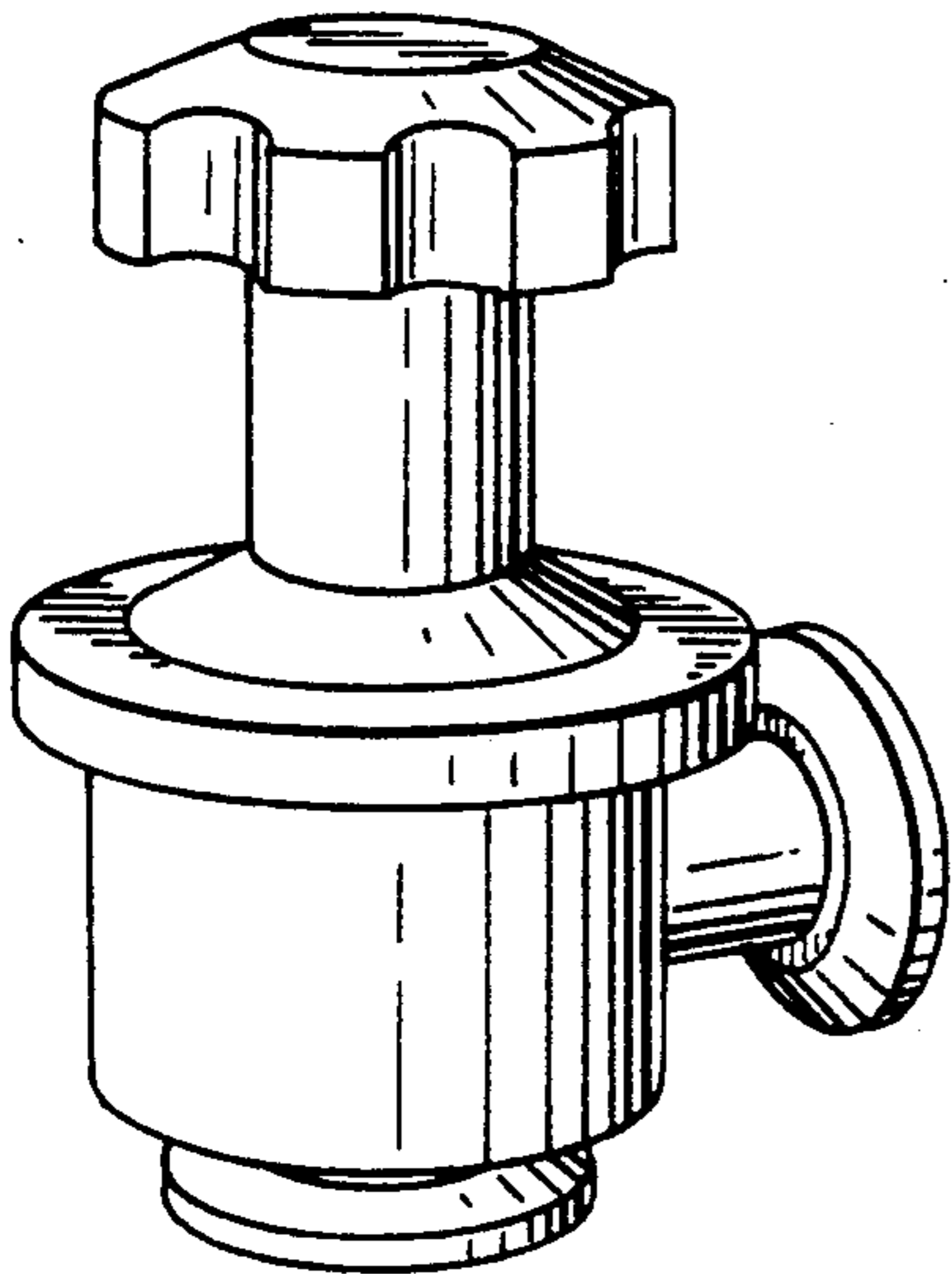


FIG. 3

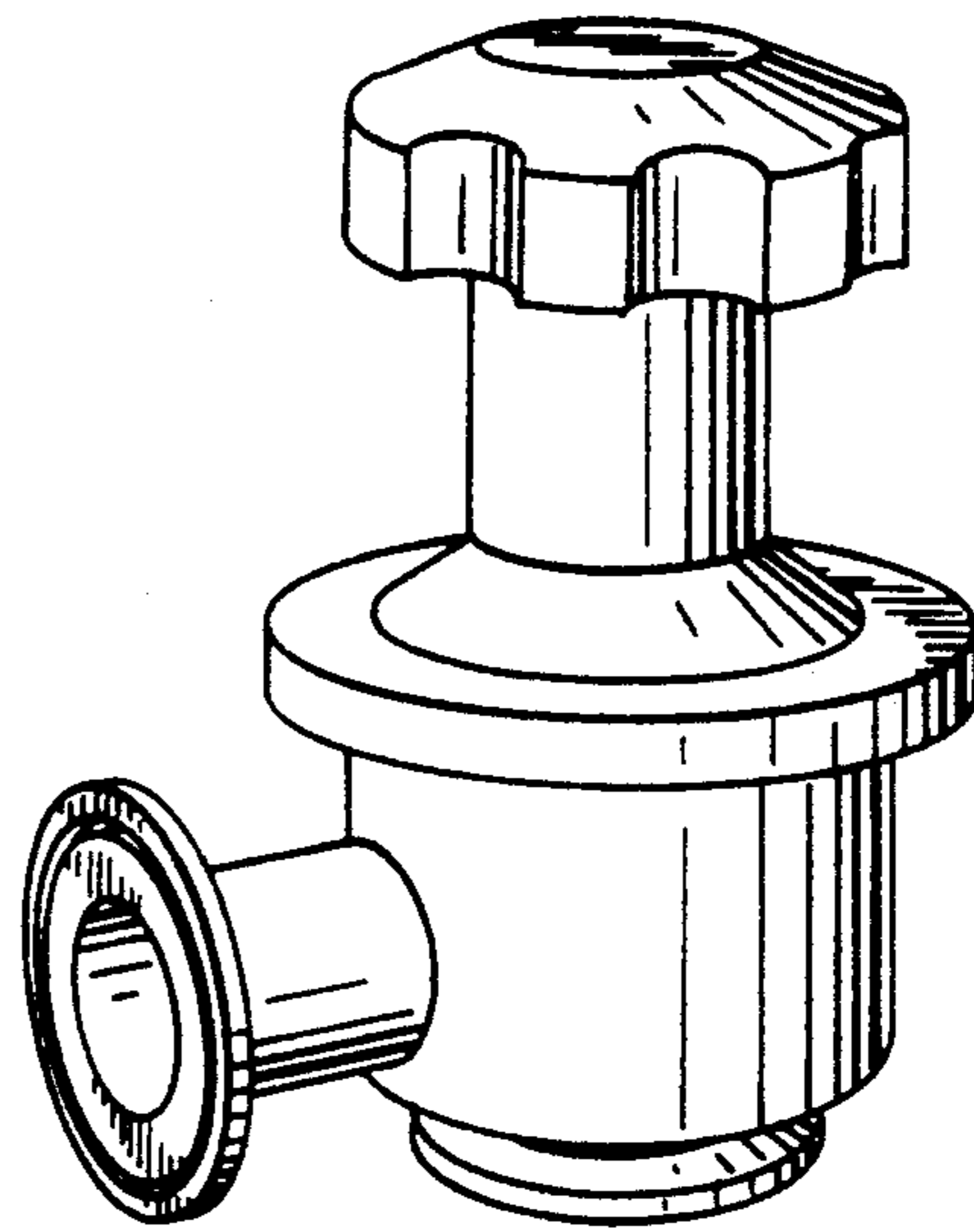


FIG. 4

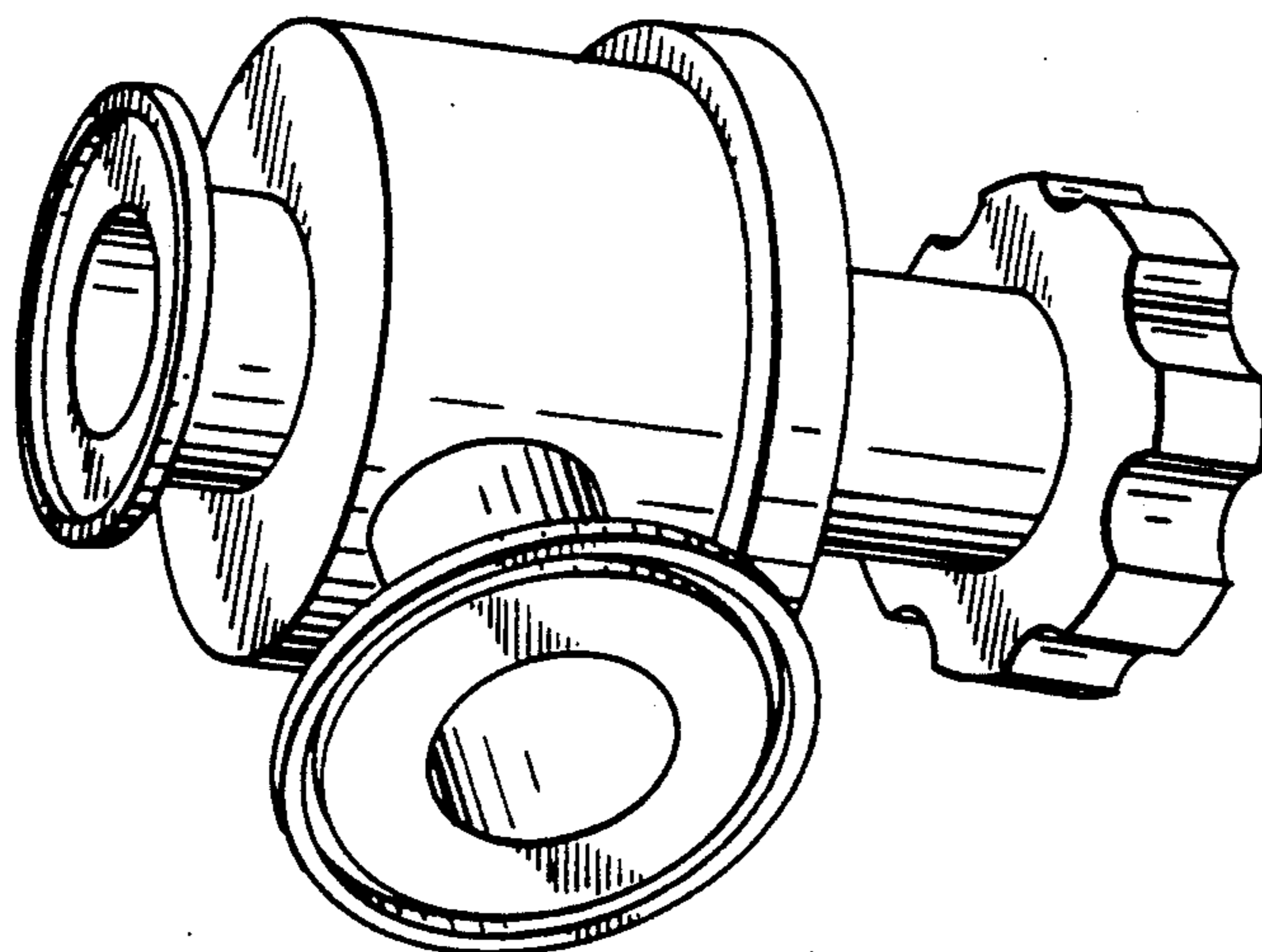


FIG. 5

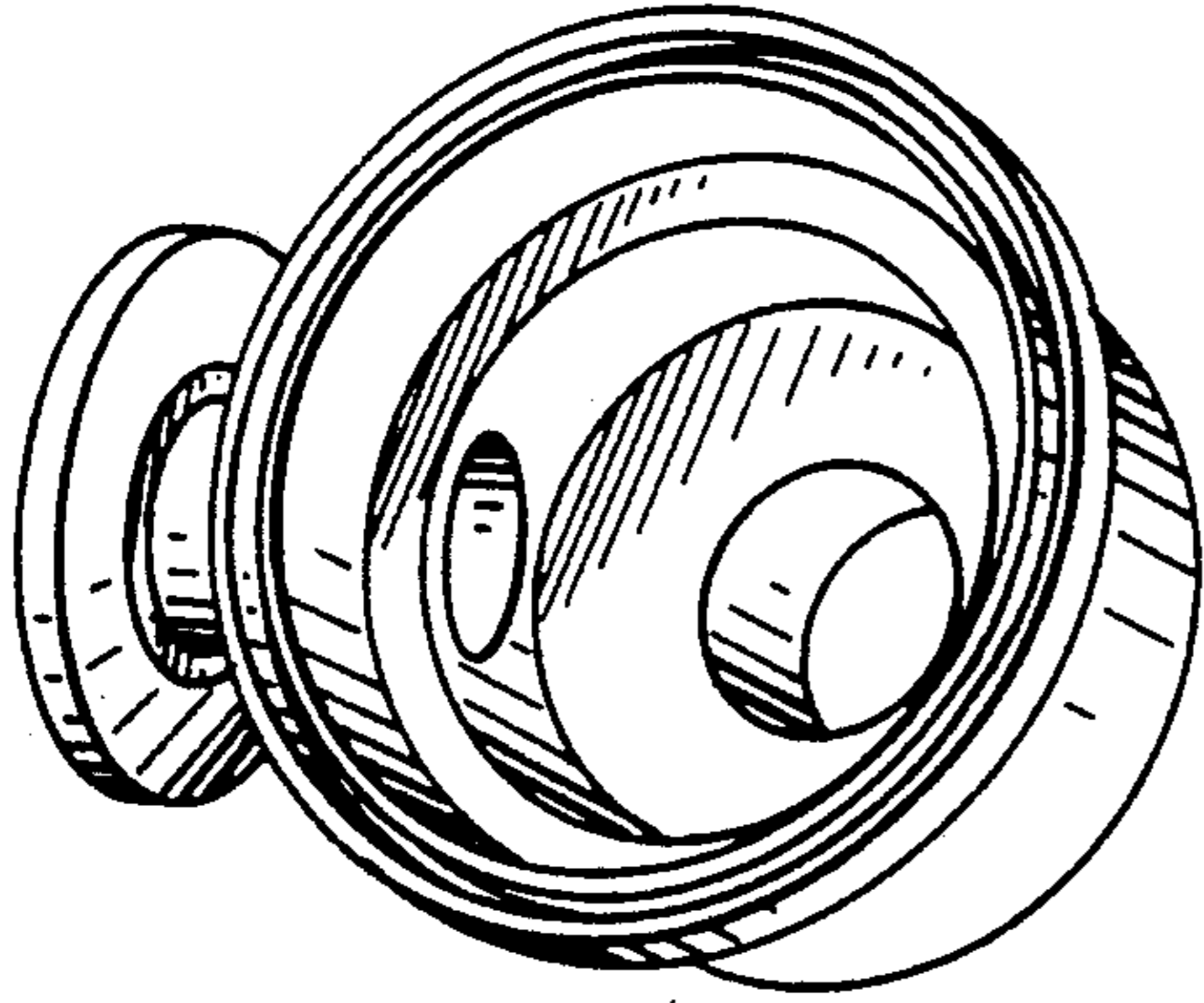


FIG. 6

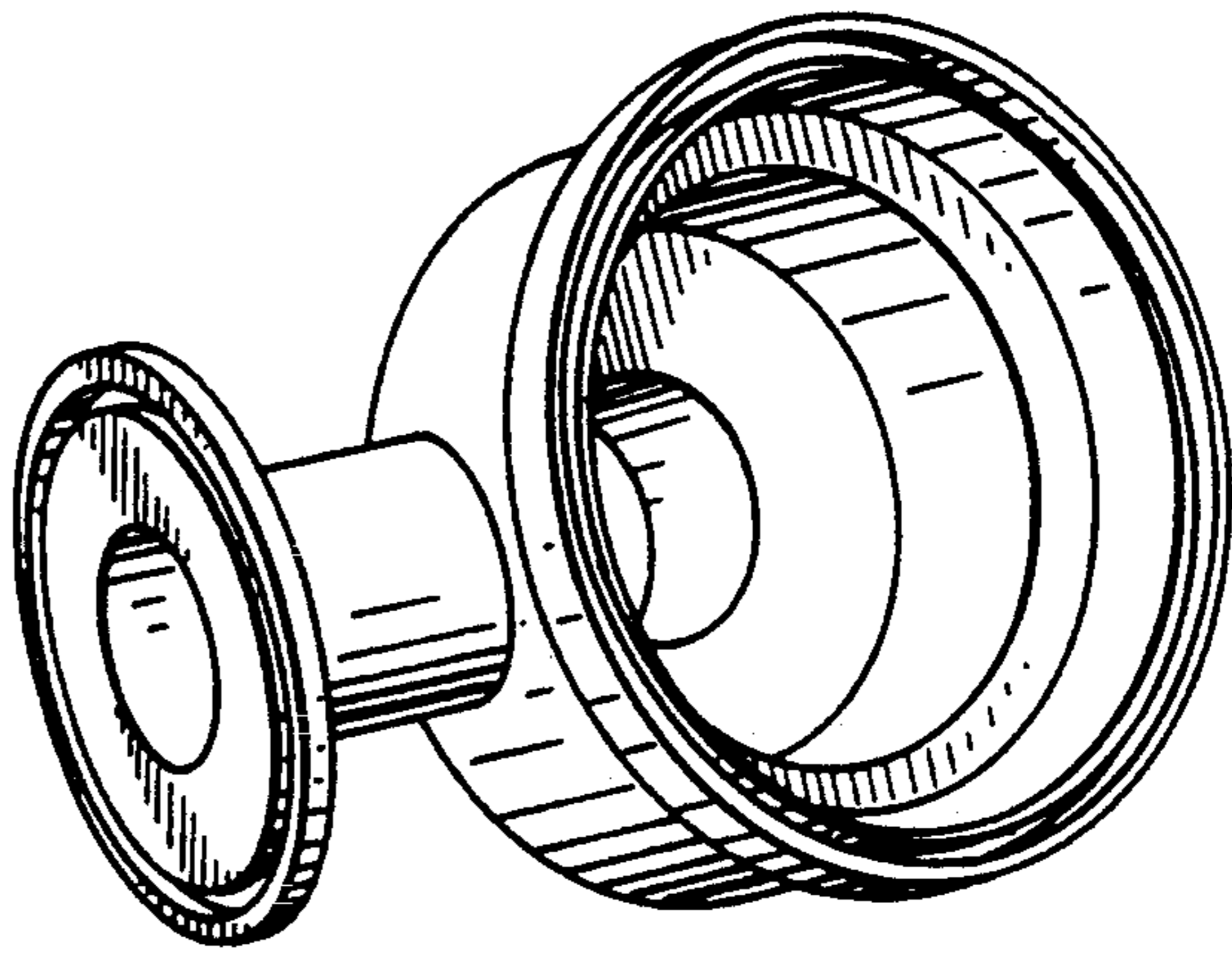


FIG. 7

