



US00D328943S

United States Patent [19]

[11] Patent Number: **Des. 328,943**

Iwasaki et al.

[45] Date of Patent: **** Aug. 25, 1992**

[54] NOZZLE FOR APPLYING GRAVURE COATINGS OR SIMILAR ARTICLE

[75] Inventors: **Takashi Iwasaki; Yoshinari Yasui,**
both of Ebina, Japan

[73] Assignee: **Yasui Seiki Co. Ltd., Tokyo, Japan**

[**] Term: **14 Years**

[21] Appl. No.: **214,156**

[22] Filed: **Jun. 30, 1988**

[30] Foreign Application Priority Data

Jan. 5, 1988 [JP] Japan 63-9

[52] U.S. Cl. **D23/213**

[58] Field of Search 118/212, 244, 259, 239,
118/211; D23/200, 213-214

[56] References Cited

U.S. PATENT DOCUMENTS

3,177,847	4/1965	Schnierlein .	
3,587,526	6/1971	Geschivender	118/211
4,128,077	12/1978	Meier .	
4,223,633	9/1980	Alvensleben et al.	118/259 X
4,738,879	4/1988	Williams	118/259 X
4,791,881	12/1988	Iwasaki	118/212 X

FOREIGN PATENT DOCUMENTS

1804370	6/1974	Australia .
2237556	2/1973	Fed. Rep. of Germany .
2526390	2/1976	Fed. Rep. of Germany .
7723027	3/1978	France .
2503373	4/1973	Japan .
53-49037	5/1978	Japan .
54-41945	4/1979	Japan .
4581283	10/1983	Japan .
22345983	12/1983	Japan .
1017640	1/1966	United Kingdom .
1349173	3/1974	United Kingdom .

Primary Examiner—Susan J. Lucas

Assistant Examiner—M. H. Tung

[57] CLAIM

The ornamental design for a nozzle for applying gravure coatings or similar article, as shown.

DESCRIPTION

FIG. 1 is a front elevational view of a nozzle for applying gravure coatings or similar article showing our new design;

FIG. 2 is a rear elevational view thereof;

FIG. 3 is a top plan view thereof;

FIG. 4 is a bottom plan view thereof;

FIG. 5 is a left end elevational view thereof;

FIG. 6 is a right end elevational view thereof;

FIG. 7 is a top perspective view thereof; and,

FIG. 8 is a bottom perspective view thereof.

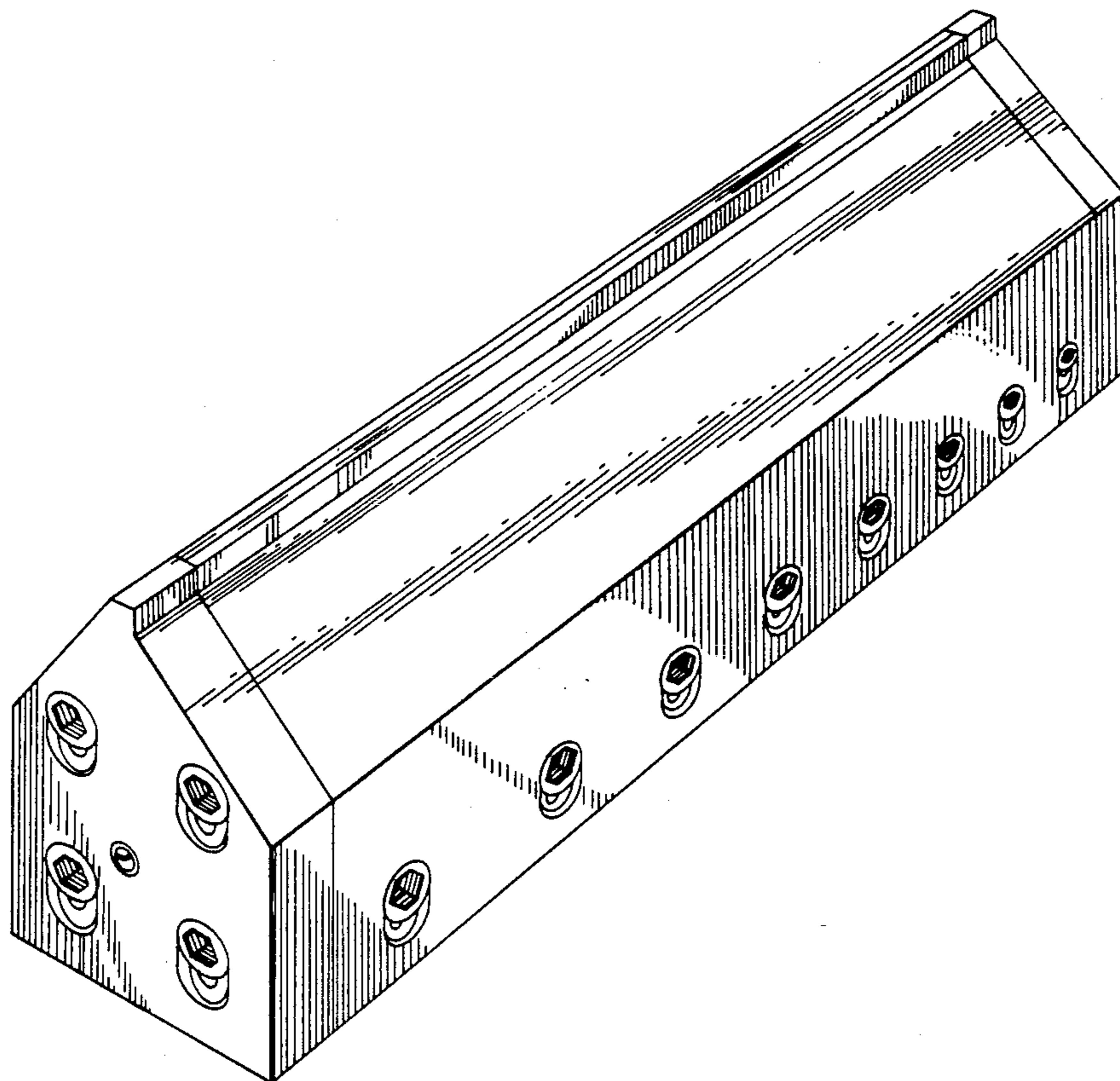


FIG. 1

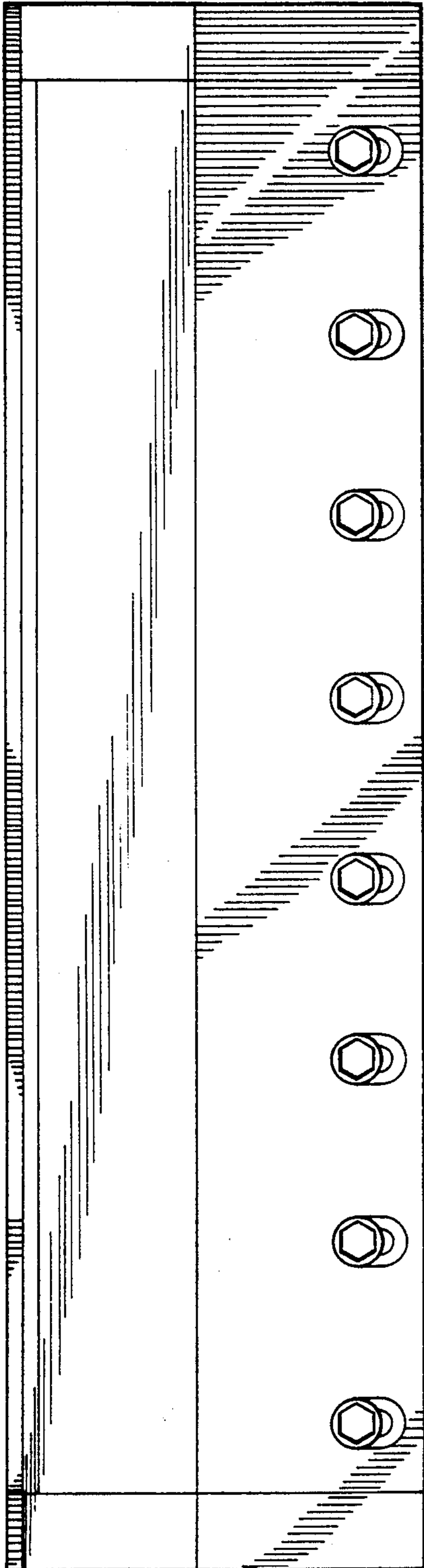


FIG. 2



FIG. 3

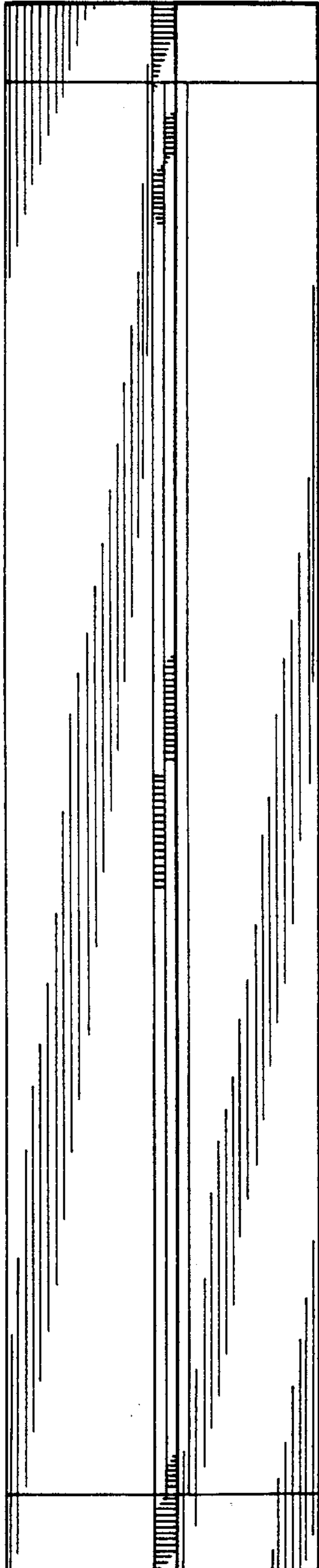
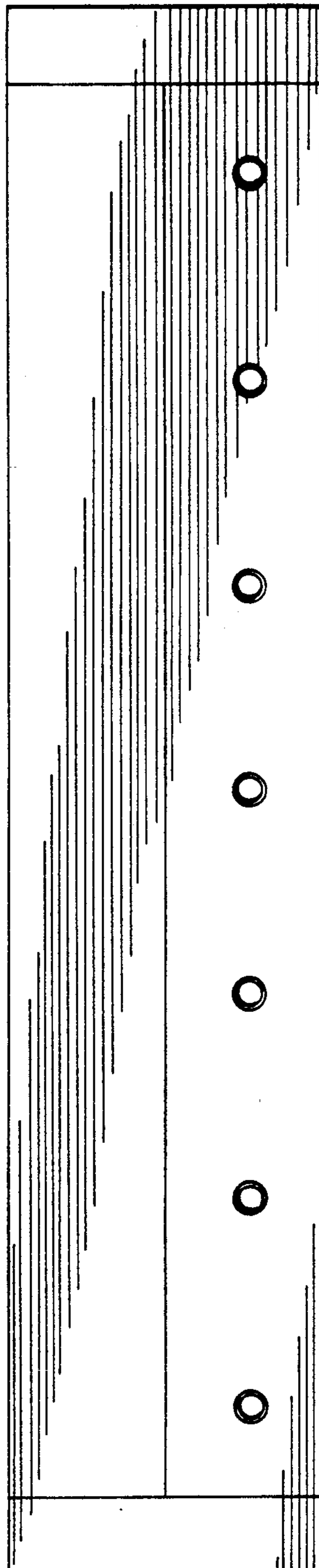


FIG. 4



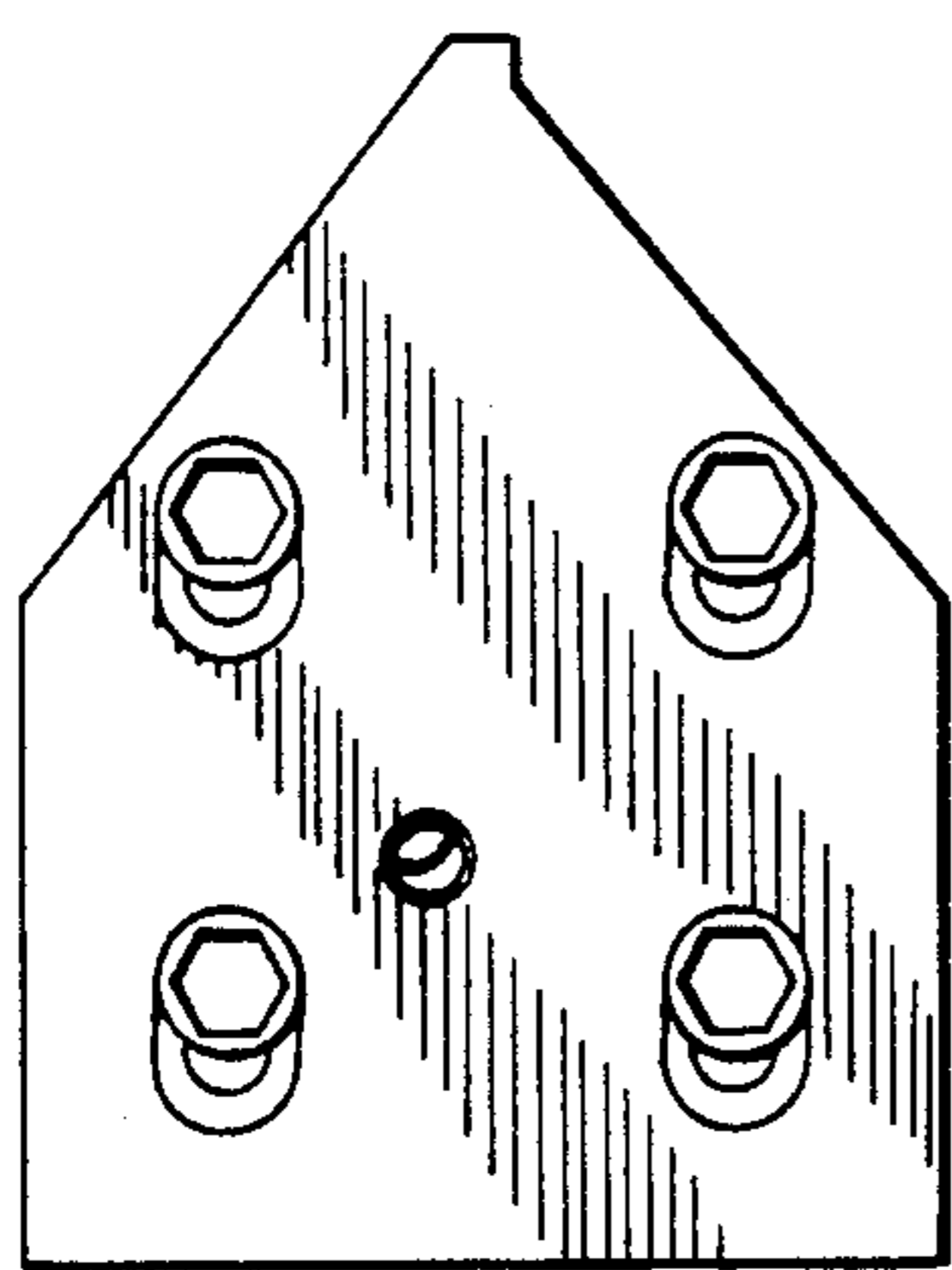


FIG. 5

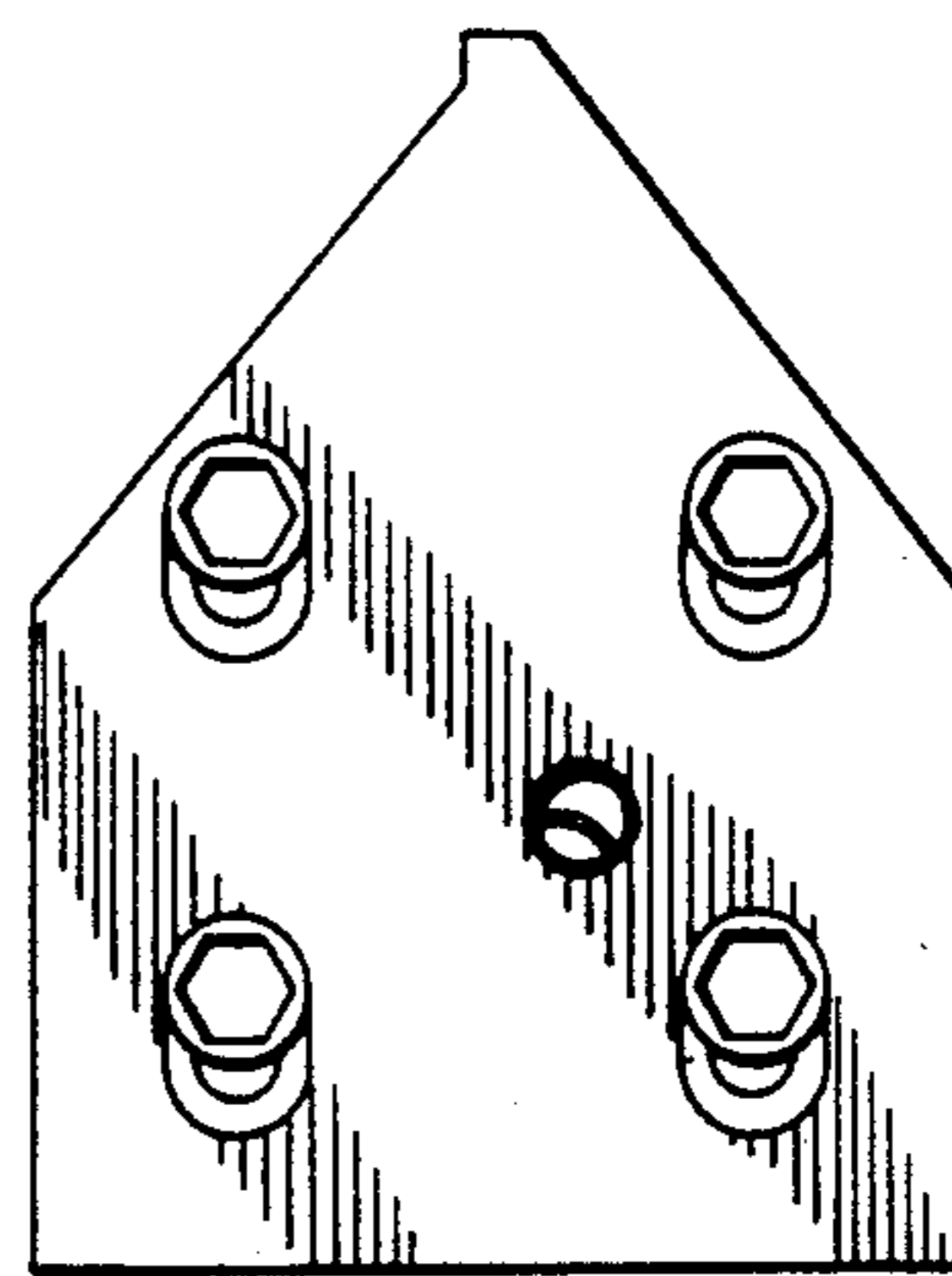


FIG. 6

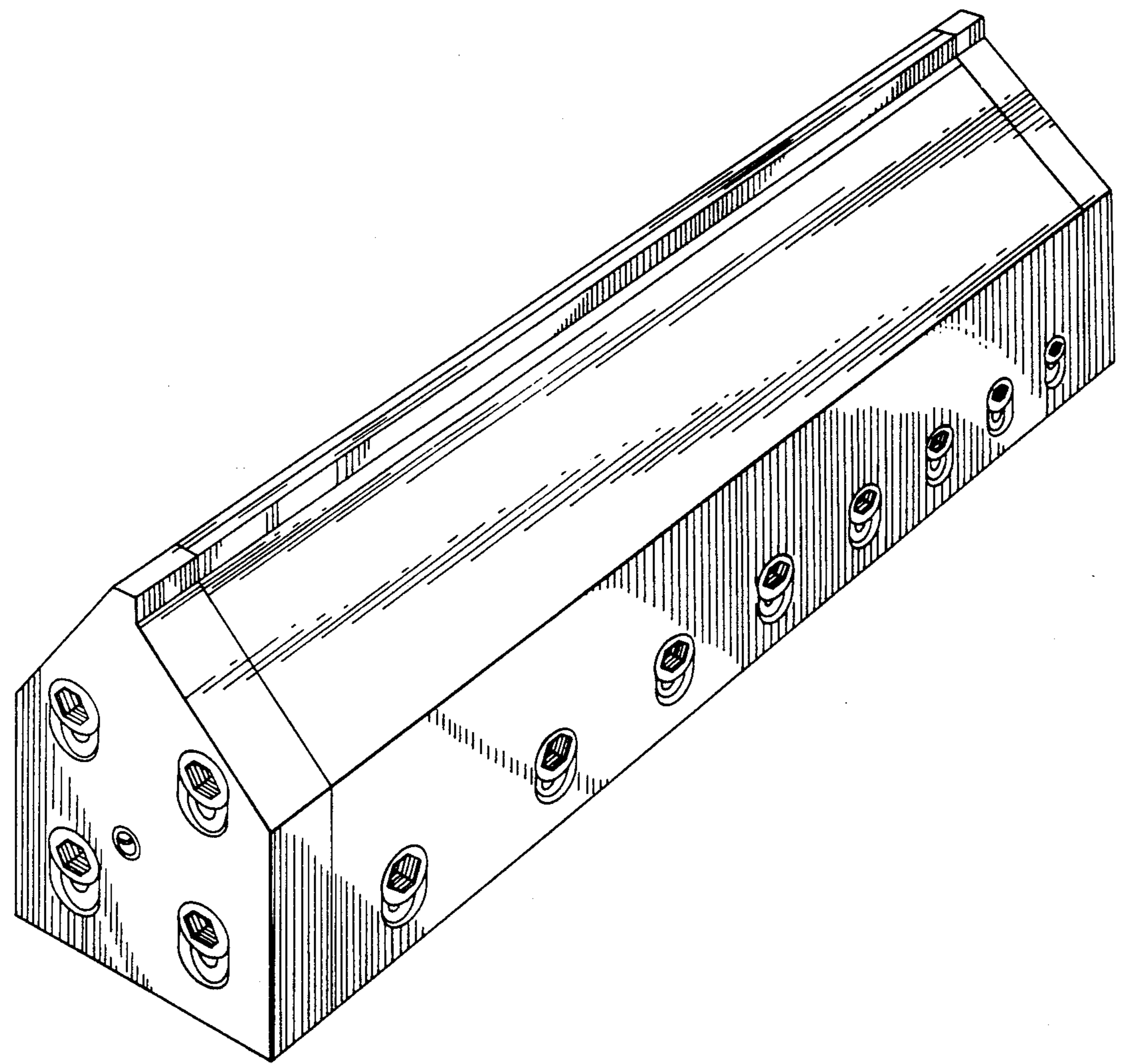


FIG. 7

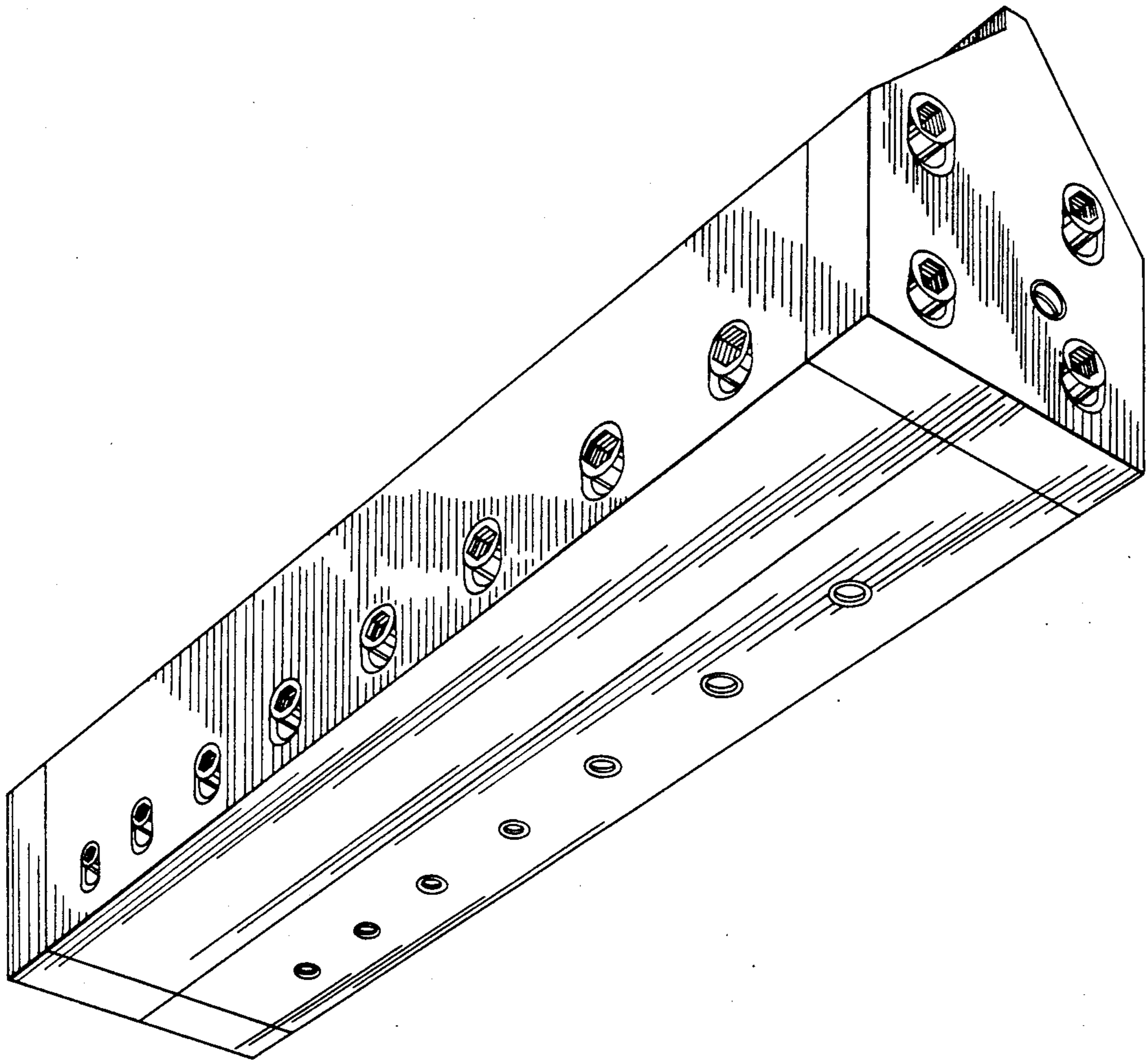


FIG. 8