



US00D328942S

United States Patent [19]

[11] Patent Number: **Des. 328,942**

Igami et al.

[45] Date of Patent: **** Aug. 25, 1992**

[54] WATER PURIFIER

[56] References Cited

[75] Inventors: **Ikuo Igami; Kazuto Kawashima; Atsuko Owada**, all of Tokyo, Japan

U.S. PATENT DOCUMENTS

- D. 277,305 1/1985 Grube D23/209
- D. 285,958 9/1986 Koizumi et al. D23/209
- D. 313,266 12/1990 Geneve et al. D23/209
- 4,686,037 8/1987 Lang 210/288 X

[73] Assignee: **Mitsubishi Rayon Co., Ltd.**, Tokyo, Japan

Primary Examiner—Susan J. Lucas
Assistant Examiner—M. H. Tung
Attorney, Agent, or Firm—Cushman, Darby & Cushman

[**] Term: **14 Years**

[57] CLAIM

[21] Appl. No.: **631,033**

The ornamental design for a water purifier, as shown and described.

[22] Filed: **Dec. 20, 1990**

DESCRIPTION

[30] Foreign Application Priority Data

- Jun. 22, 1990 [JP] Japan 2-21013
- [52] U.S. Cl. **D23/209**
- [58] Field of Search D23/200, 207 α 210;
210/198.1, 205-206, 231, 244-246, 257.1, 257.2,
258, 260-261, 275, 282, 287-290, 295, 321.6,
321.78, 348, 416.3, 443-449

FIG. 1 is a top perspective view of a water purifier showing our new design;
FIG. 2 is a top plan view thereof;
FIG. 3 is a front elevational view thereof;
FIG. 4 is a right side elevational view thereof;
FIG. 5 is a left side elevational view thereof;
FIG. 6 is a bottom plan view thereof; and,
FIG. 7 is a rear elevational view thereof.

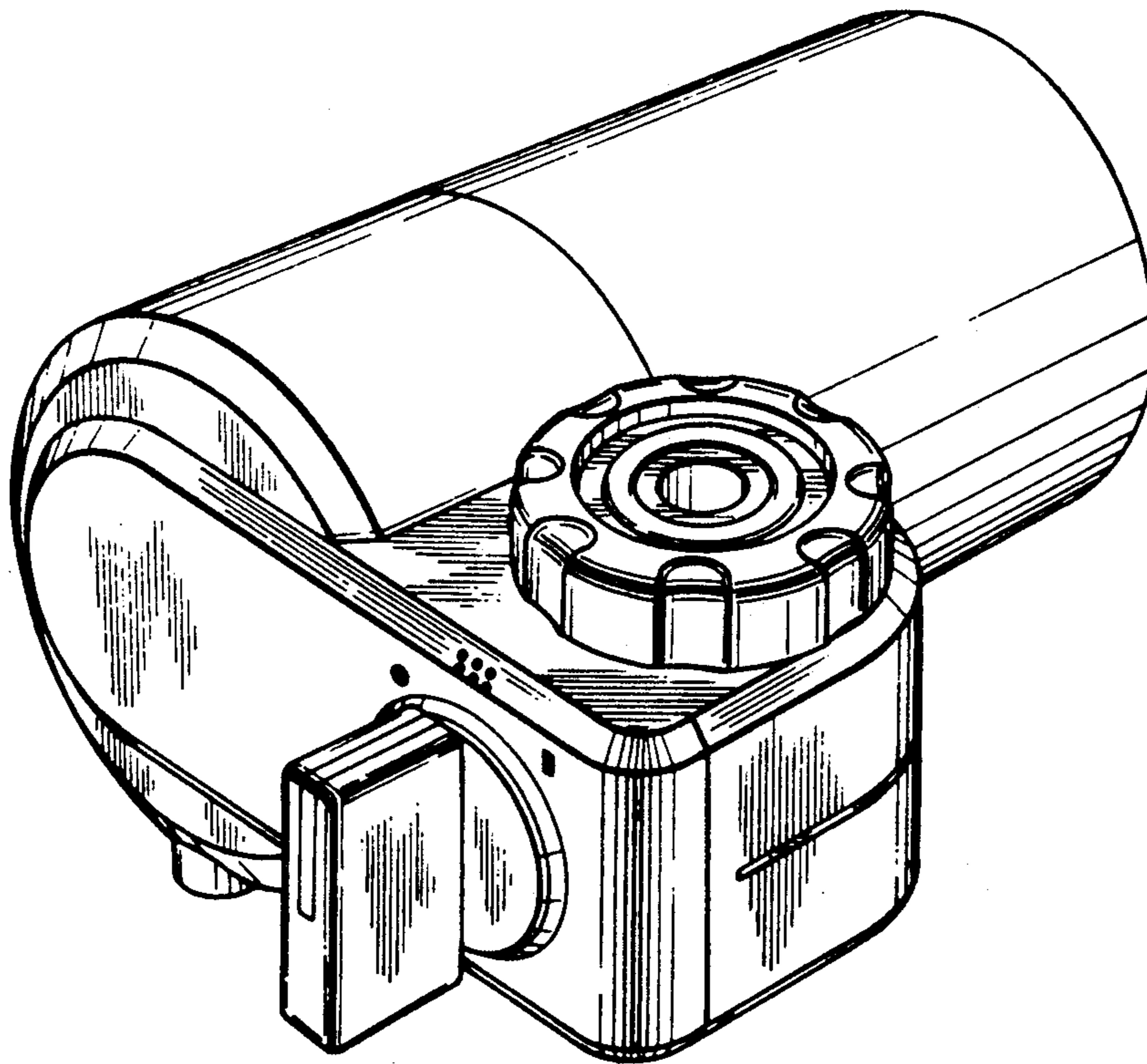


FIG. 1

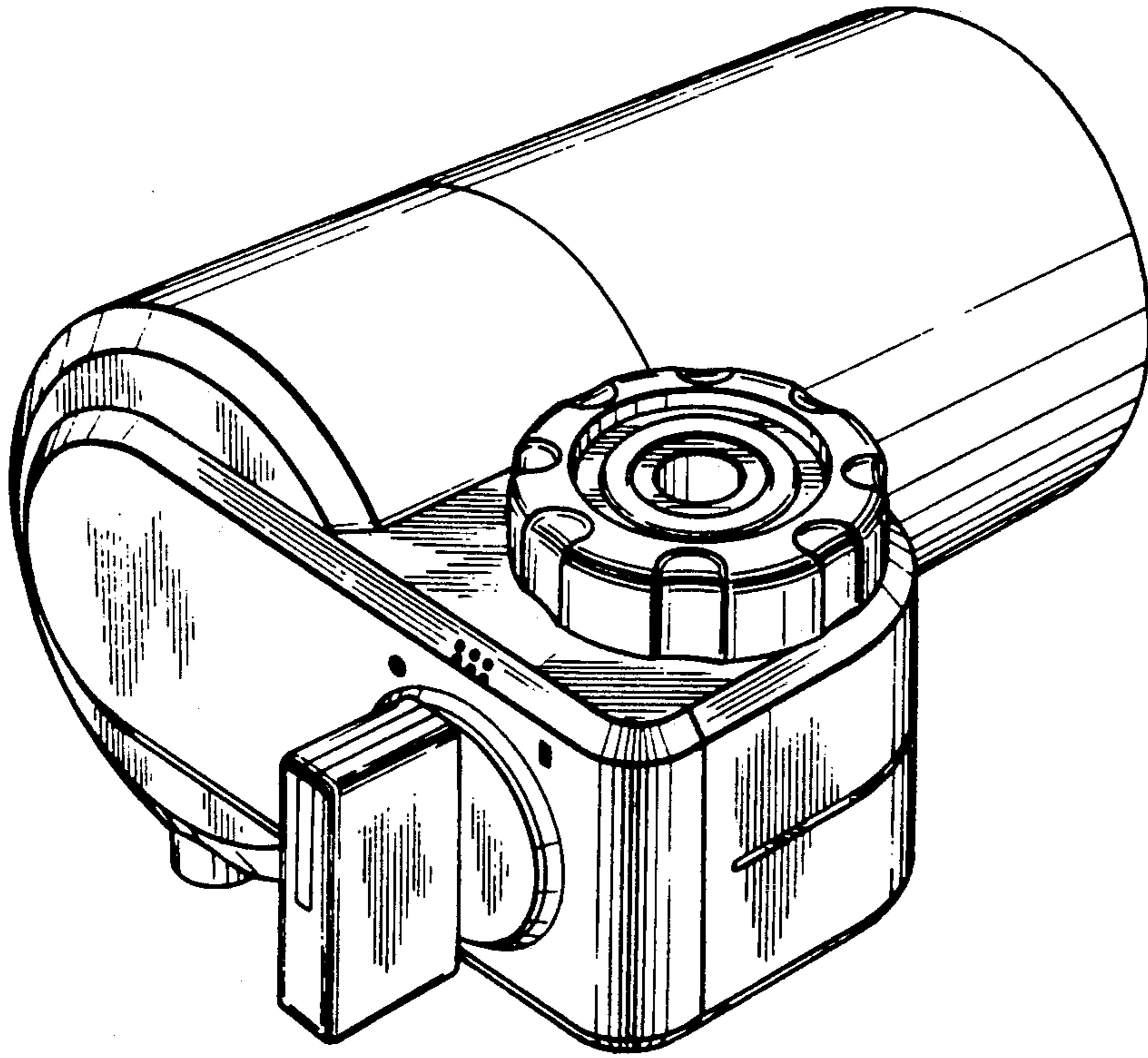


FIG. 2

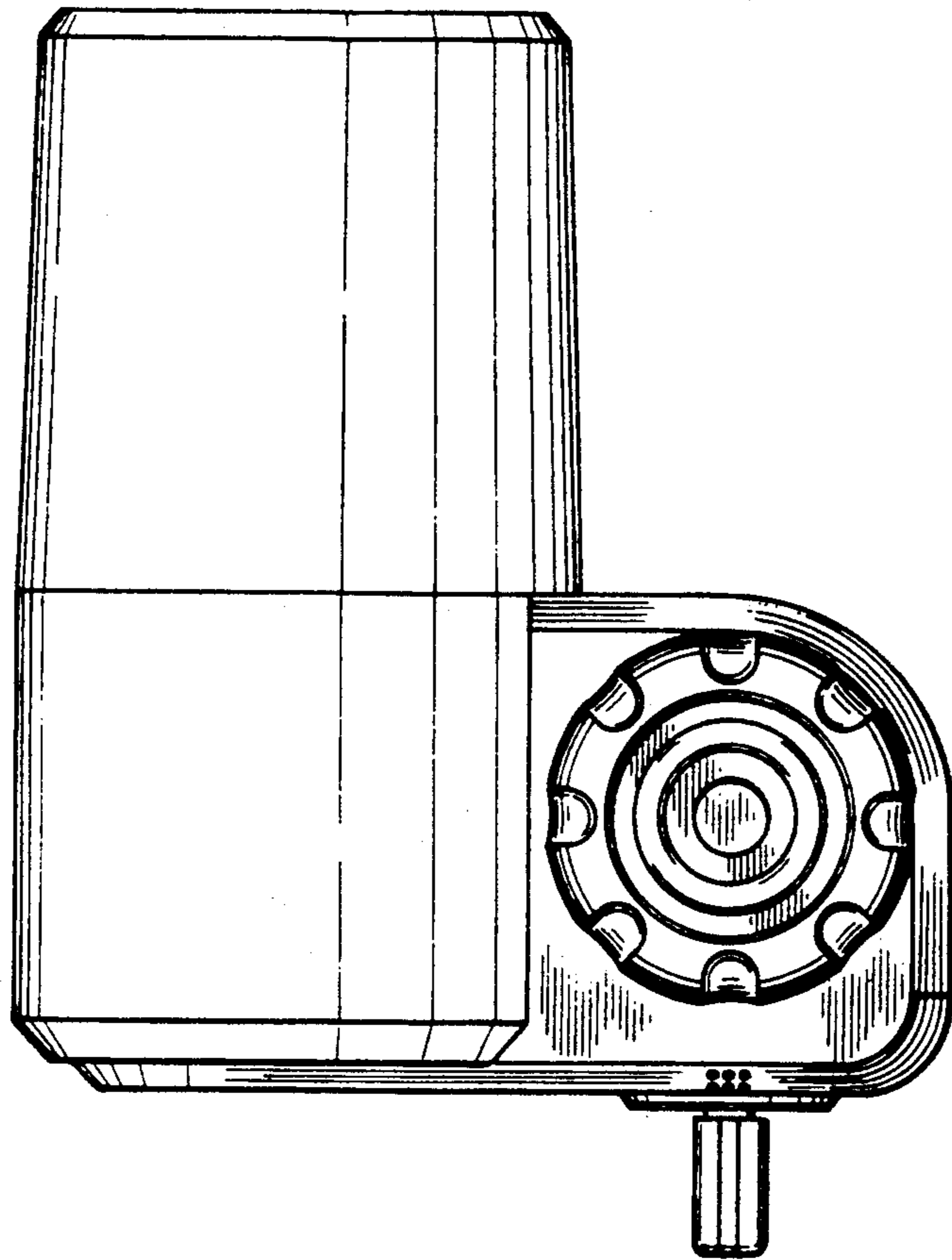


FIG. 3

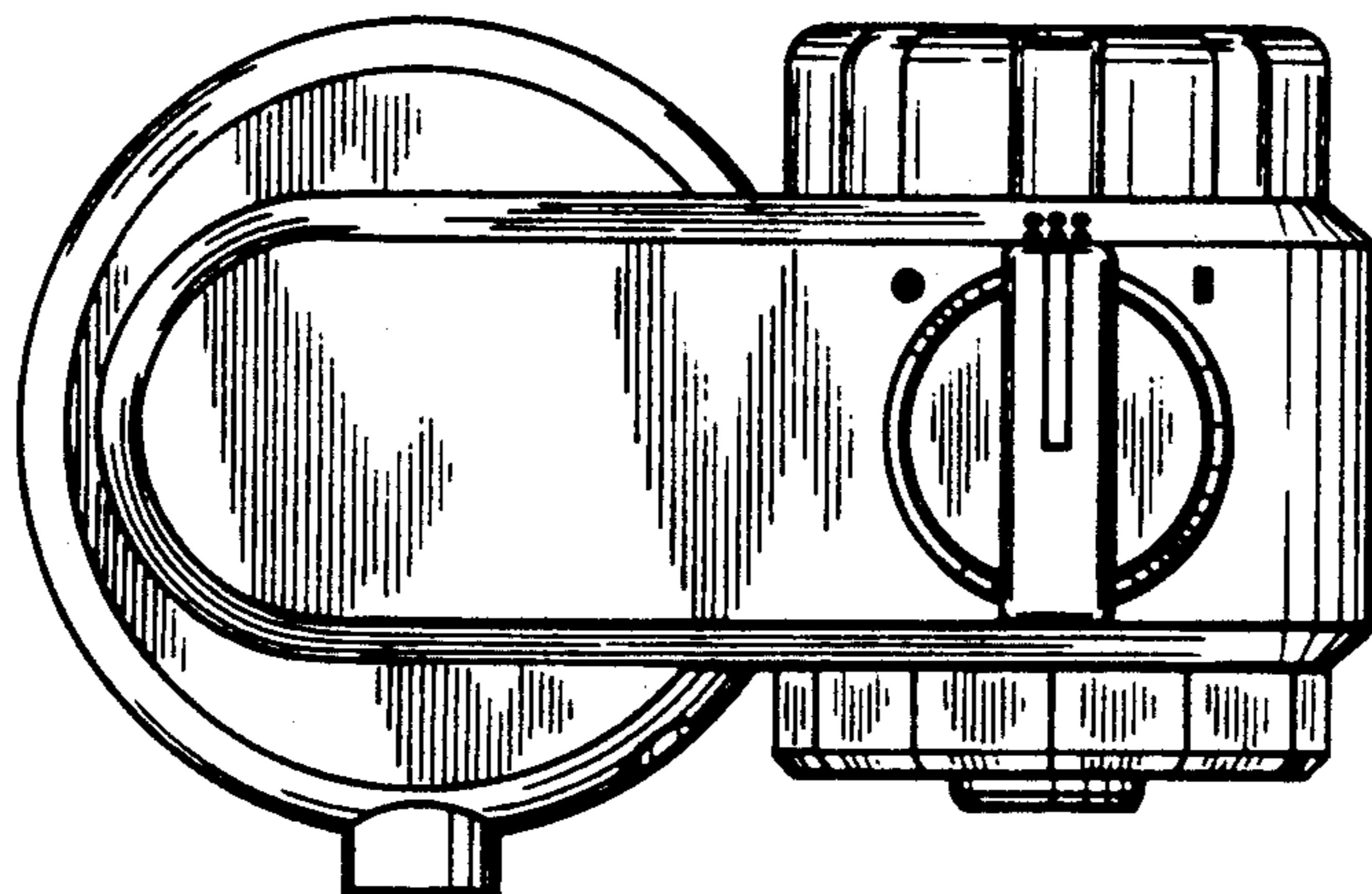


FIG. 4

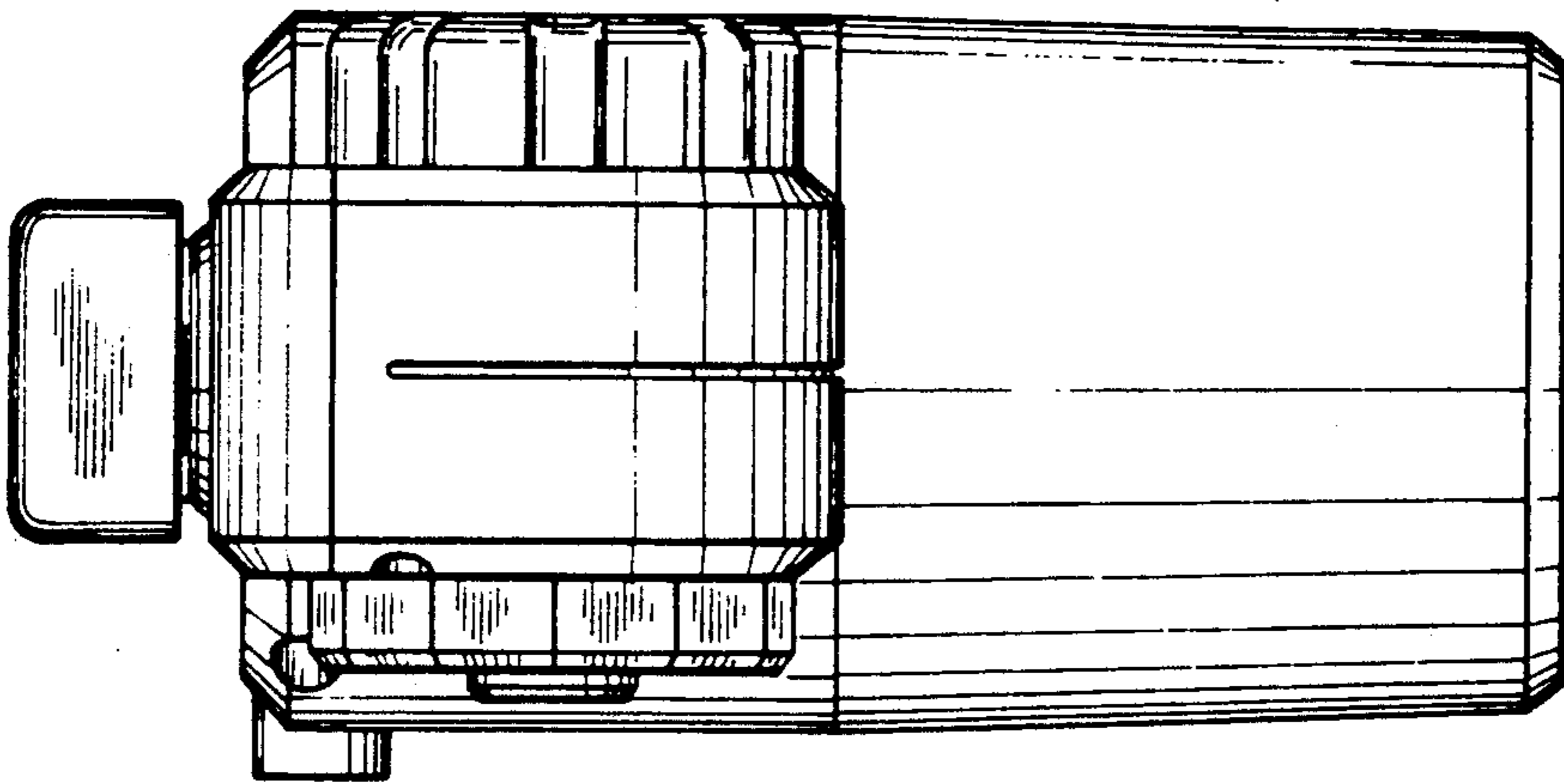


FIG. 5

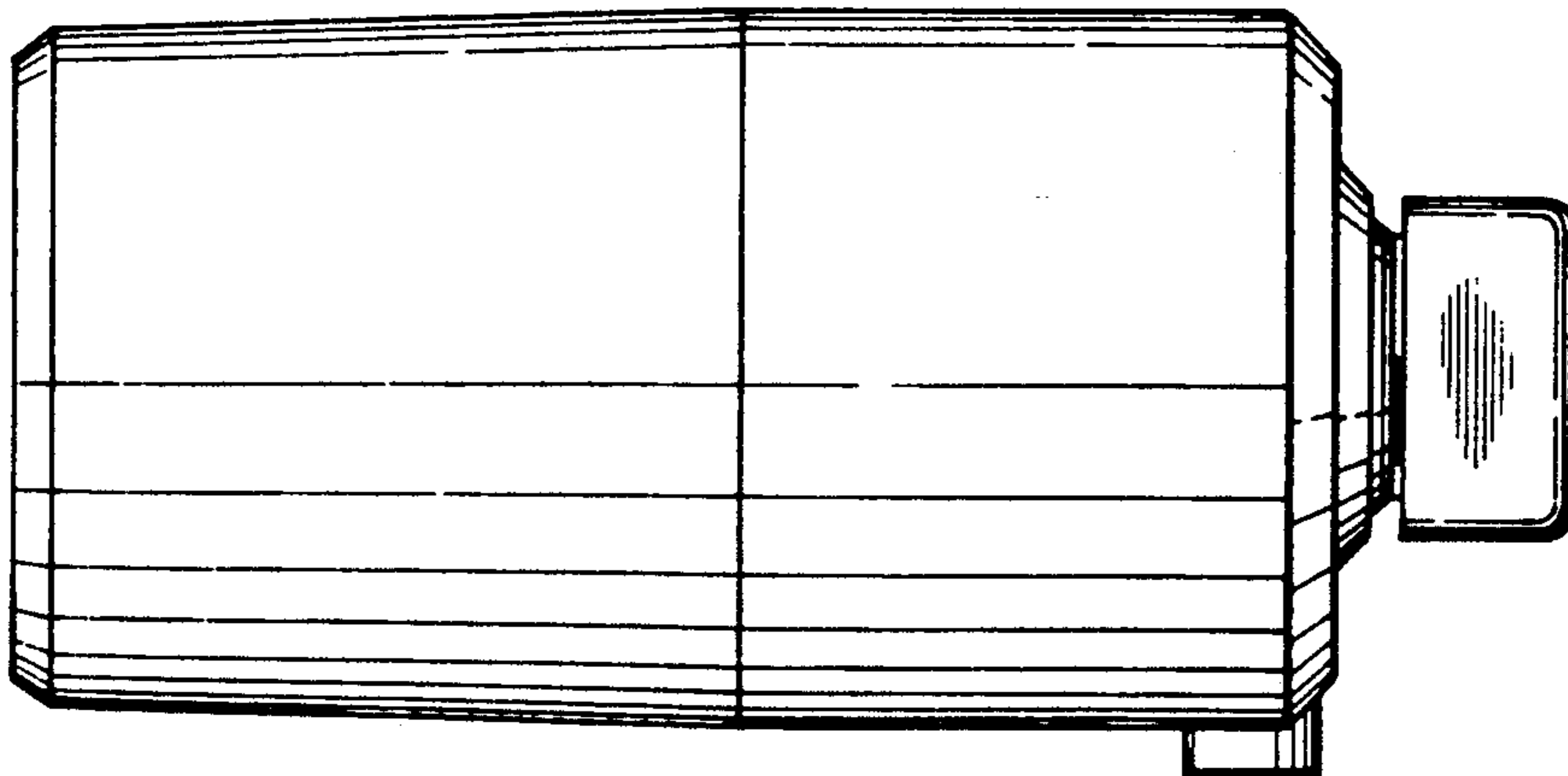


FIG. 6

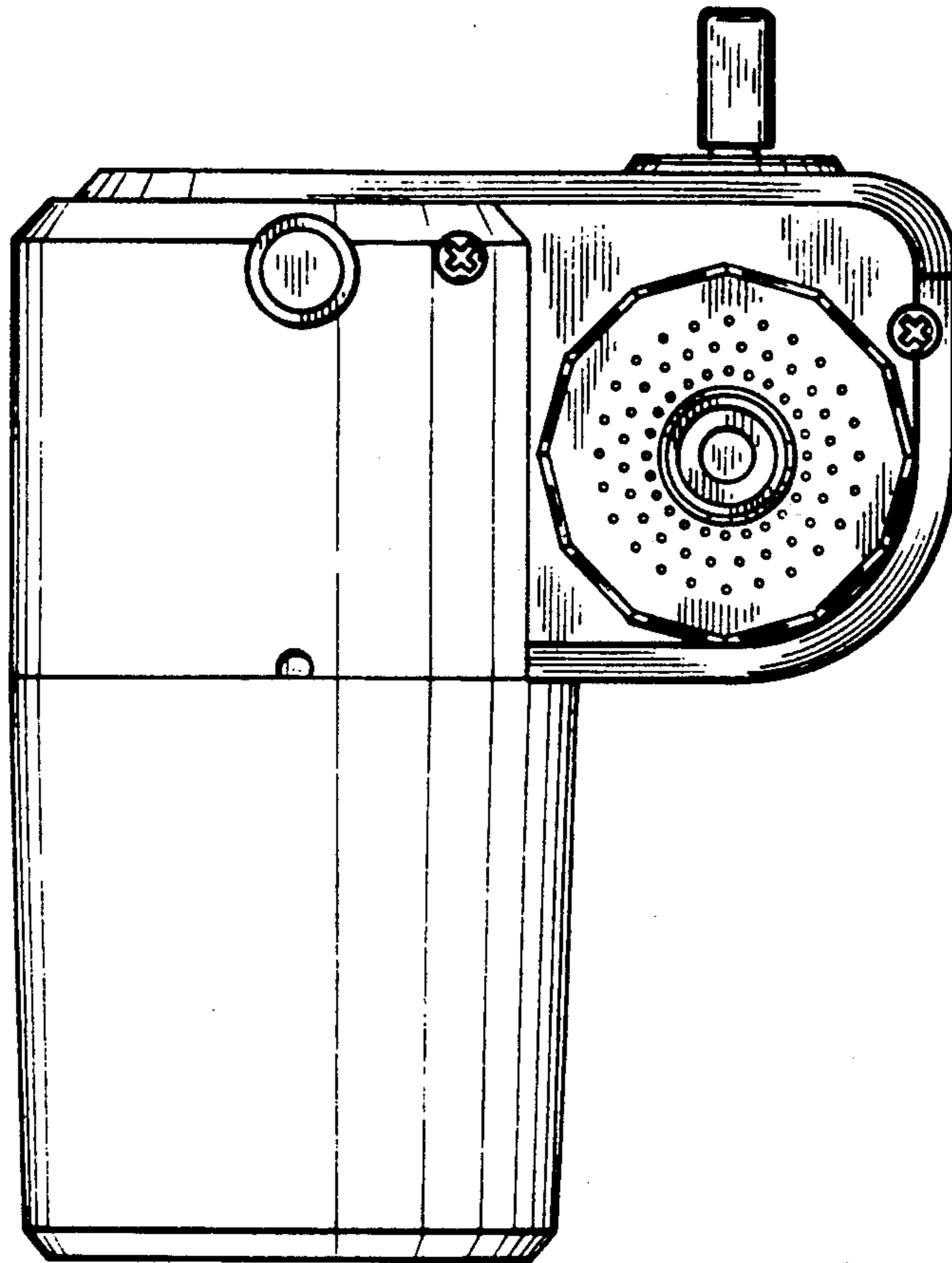


FIG. 7

