



US00D328939S

United States Patent [19]

[11] Patent Number: **Des. 328,939**

Matsch

[45] Date of Patent: **** Aug. 25, 1992**

[54] **PLAYGROUND PASSAGE CRAWLWAY AND NETTING**

[75] Inventor: **Ronald G. Matsch**, Overland Park, Kans.

[73] Assignee: **Discovery Zone, Inc.**, Kansas City, Mo.

[**] Term: **14 Years**

[21] Appl. No.: **518,821**

[22] Filed: **May 4, 1990**

[52] U.S. Cl. **D21/240**

[58] Field of Search **D21/240-252;**
472/48, 136; 52/63, 83

[56] **References Cited**

U.S. PATENT DOCUMENTS

D. 323,194	1/1992	Conti et al.	D21/242 X
779,329	1/1905	Thompson	472/48
883,485	3/1908	Ridgeway	472/48
903,672	11/1908	Tilyou	472/48

OTHER PUBLICATIONS

- Mexico Forge, 1984, p. 49.
- Kitterman, Inc., Kansas City, Mo., brochure.
- Environments, Inc., Activity '89, catalog, pp. 31, 33, 35, 40, 52 and 53.

Blue Mountain Industries, Gold Medal Tennis Nets and Court Accessories, pp. 3-7 and 10-11.

Sinco Products Incorporated, Sinco Flexguard, brochure.

Sinco Products Incorporated, Sinco Rack Guarding, brochure.

Primary Examiner—Bernard Ansher

Assistant Examiner—Prabhakar Deshmukh

Attorney, Agent, or Firm—Litman, McMahon & Brown

[57] **CLAIM**

The ornamental design for a playground passage crawlway and netting, as shown and described.

DESCRIPTION

FIG. 1 is a perspective view of a playground passage crawlway and netting showing my new design;

FIG. 2 is an enlarged scale right side elevational view thereof;

FIG. 3 is an enlarged scale left side elevational view thereof;

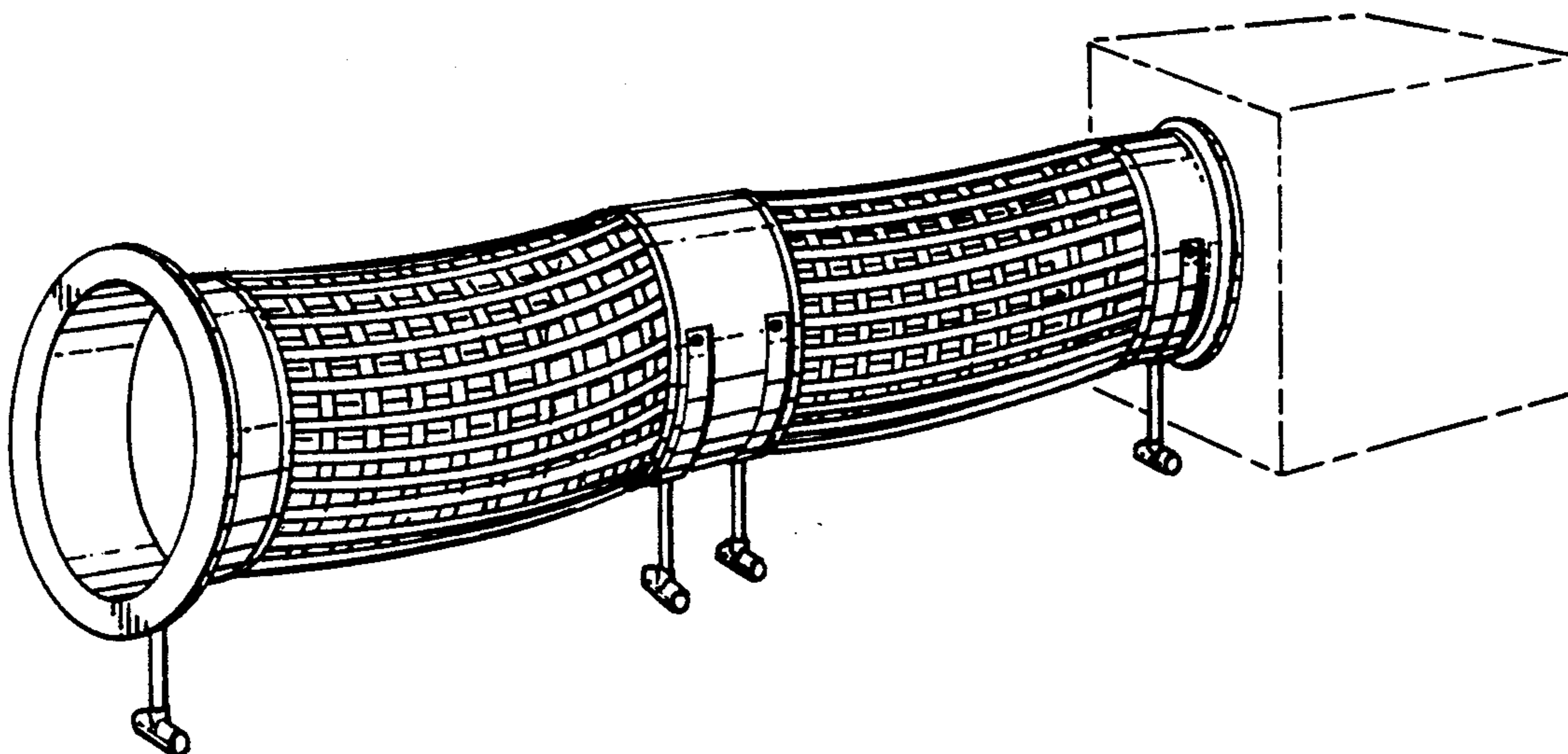
FIG. 4 is an enlarged scale top plan view thereof;

FIG. 5 is an enlarged scale bottom plan view thereof;

FIG. 6 is an enlarged scale front elevational view thereof; and,

FIG. 7 is an enlarged scale rear elevational view thereof.

The broken line showing of a support-structure is for illustrative purposes only and forms no part of the claim.



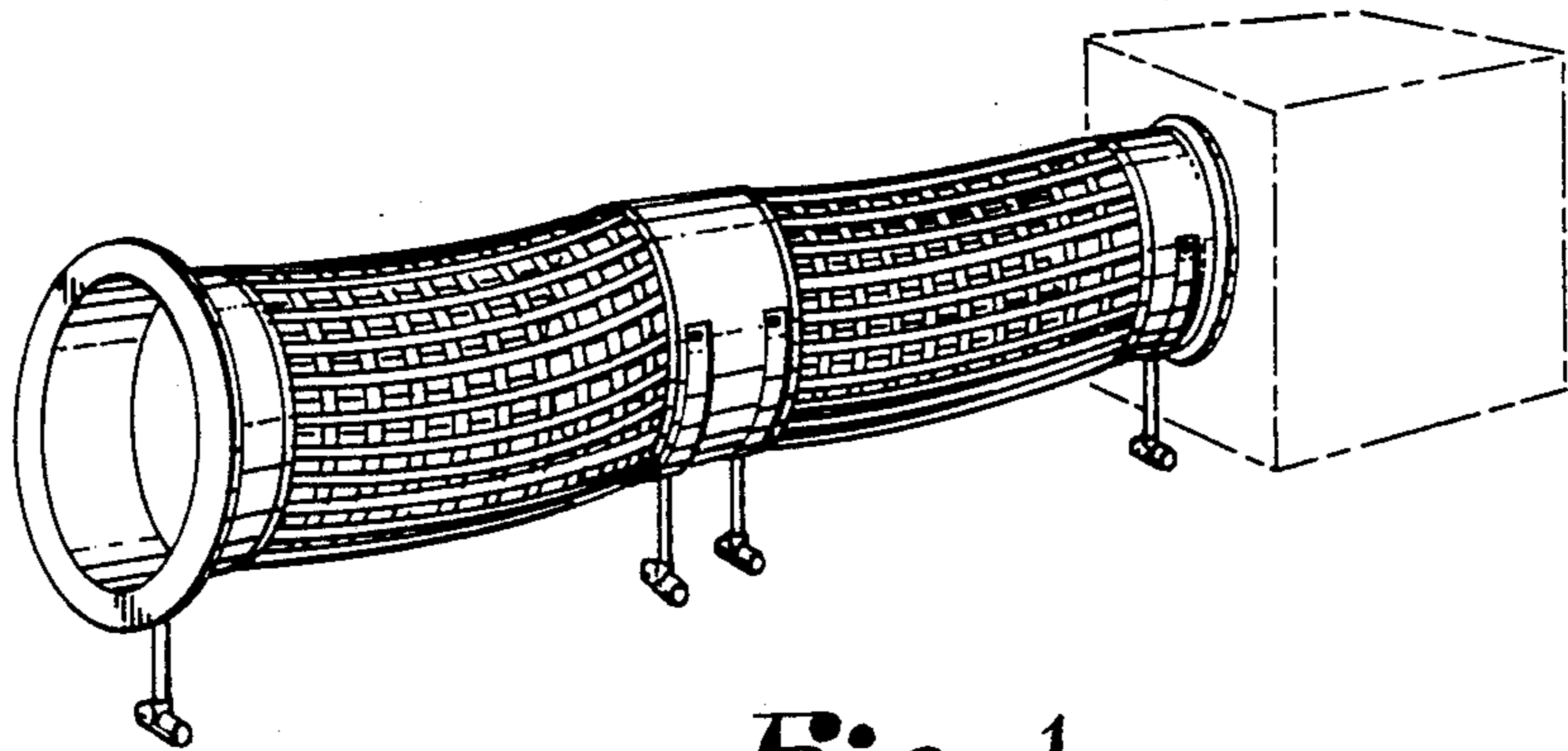


Fig. 1.

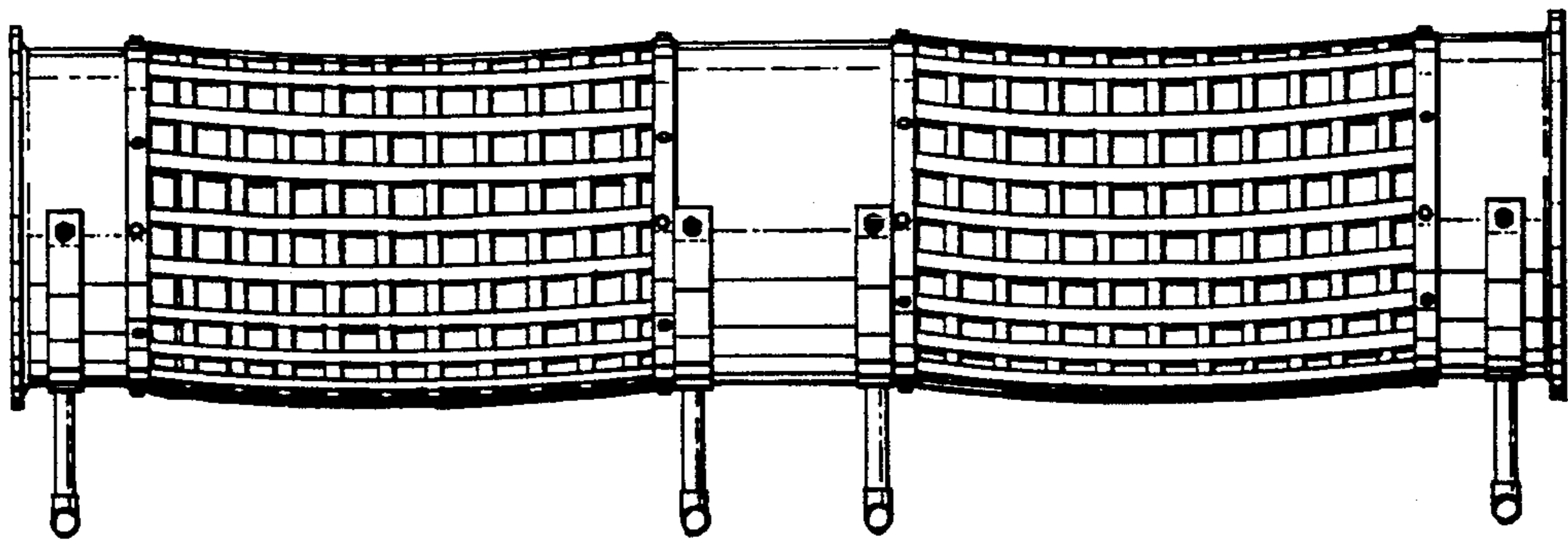


Fig. 2.

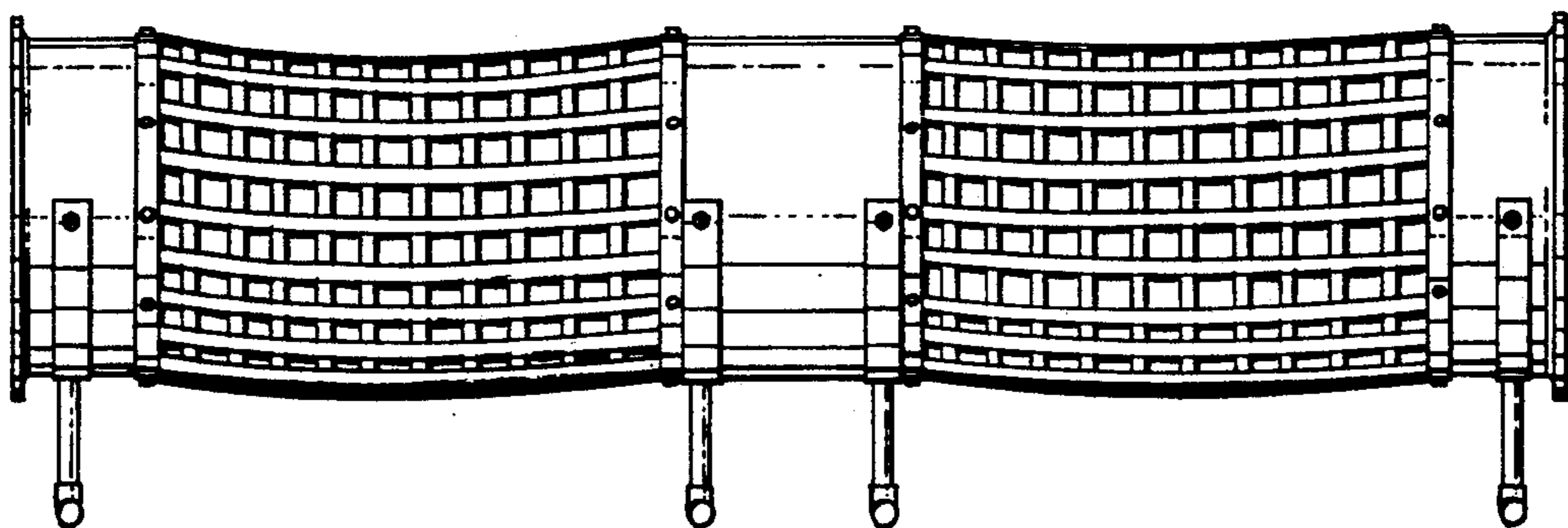


Fig. 3.

Fig. 4.

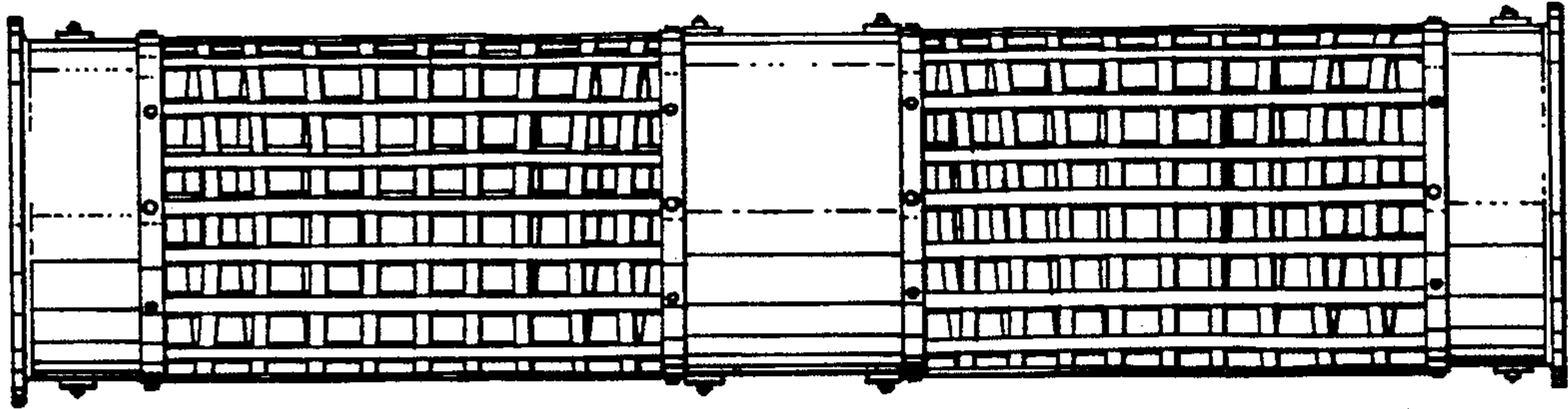


Fig. 5.

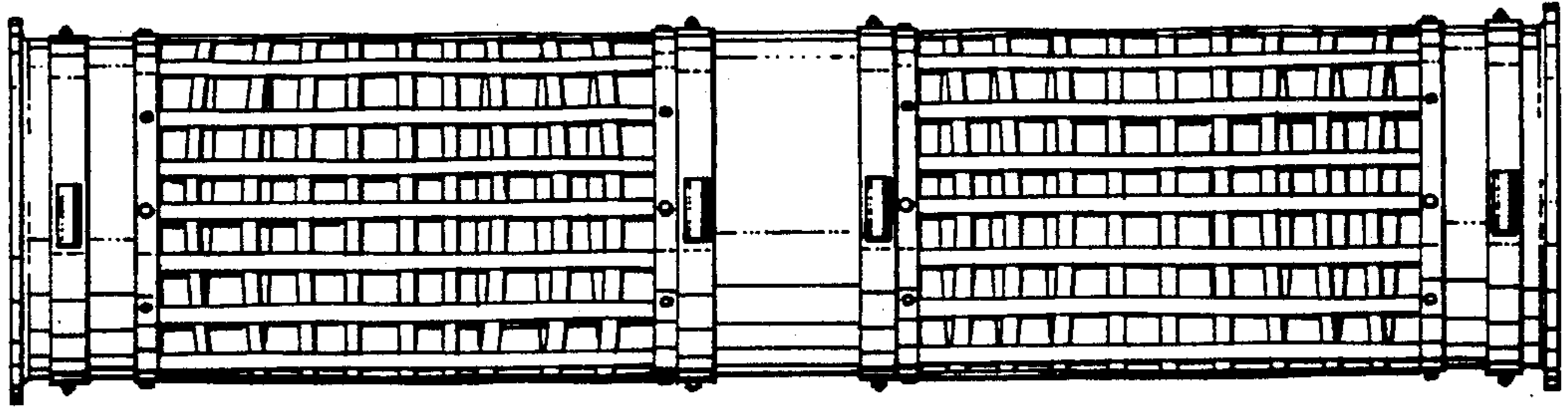


Fig. 7.

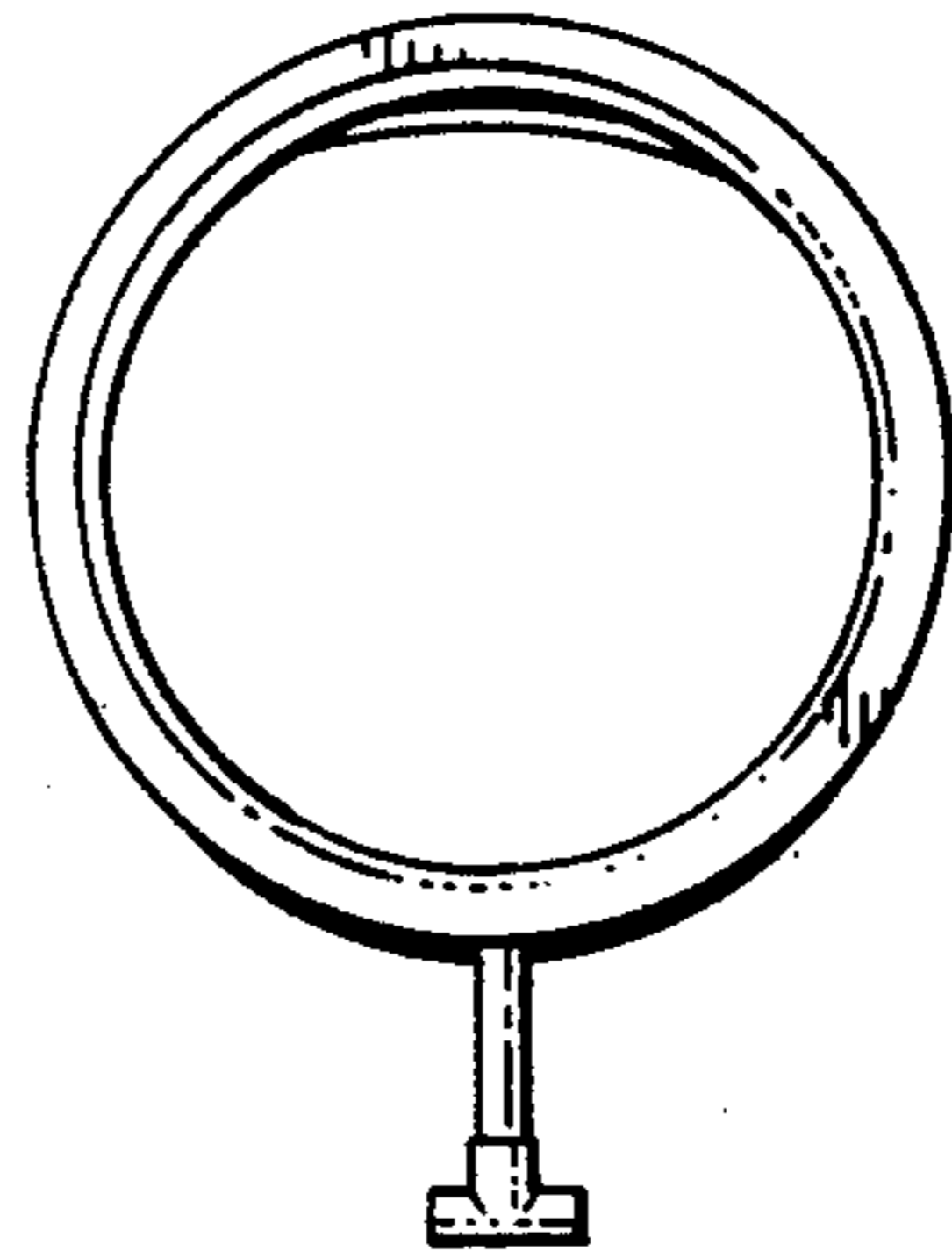


Fig. 6.

