



US00D328938S

# United States Patent [19]

[11] Patent Number: **Des. 328,938**

Askew

[45] Date of Patent: **\*\* Aug. 25, 1992**

[54] LIFE JACKET

3,727,249 4/1973 Bonthelius ..... 441/118  
4,193,153 3/1980 Tyrer et al. .... 441/118

[76] Inventor: **Robert J. Askew**, 14200 - 18th Avenue, Surrey, British Columbia, Canada, V4A 7C1

*Primary Examiner*—Kay H. Chin  
*Attorney, Agent, or Firm*—Shlesinger, Arkwright & Garvey

[\*\*] Term: **14 Years**

[57] **CLAIM**

[21] Appl. No.: **179,117**

The ornamental design for a life jacket, as shown and described.

[22] Filed: **Apr. 8, 1988**

[52] U.S. Cl. .... **D21/238; D21/237**

[58] Field of Search ..... **D21/236, 237, 238; 441/118, 106, 114, 115, 116, 117**

**DESCRIPTION**

FIG. 1 is a front perspective view of a life jacket showing my new design;  
FIG. 2 is a front elevational view thereof;  
FIG. 3 is a left side elevational view thereof;  
FIG. 4 is a right side elevational view thereof;  
FIG. 5 is a top plan view thereof;  
FIG. 6 is a rear elevational view thereof; and,  
FIG. 7 is a bottom plan view thereof.

[56] **References Cited**

**U.S. PATENT DOCUMENTS**

3,152,343 10/1964 Brown ..... 441/118  
3,167,794 2/1965 Brown ..... 441/118  
3,383,722 5/1968 Le Blanc, Jr. .... 441/118

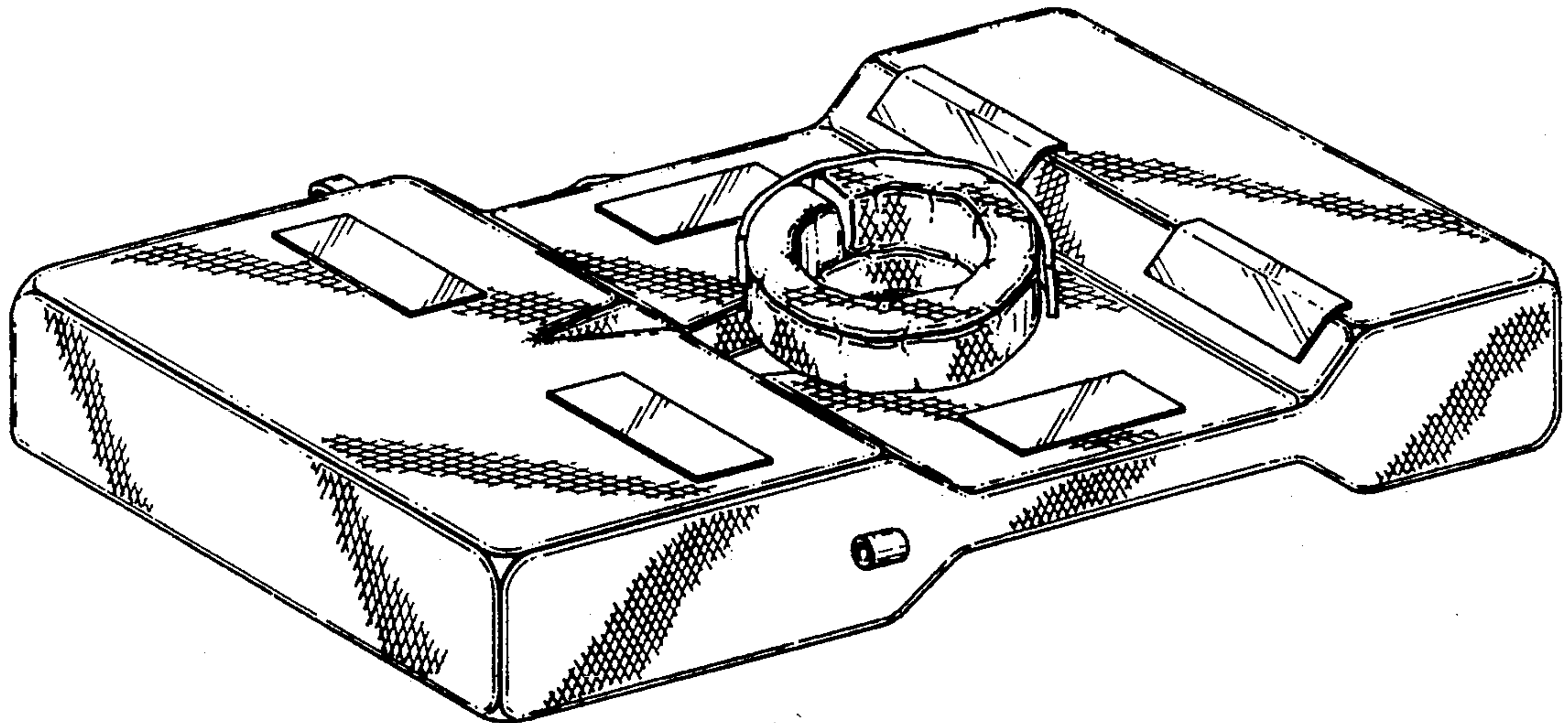


Fig. 1

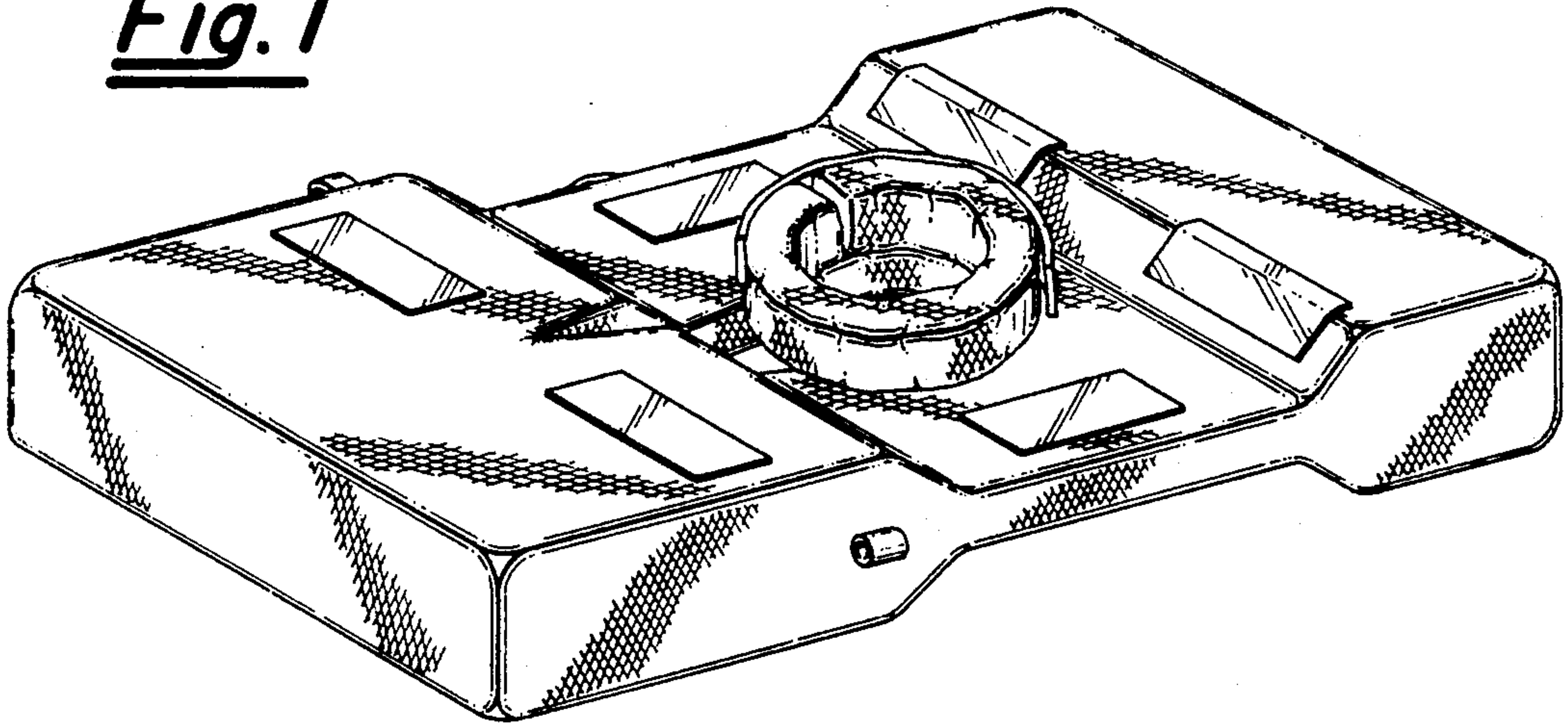


Fig. 3

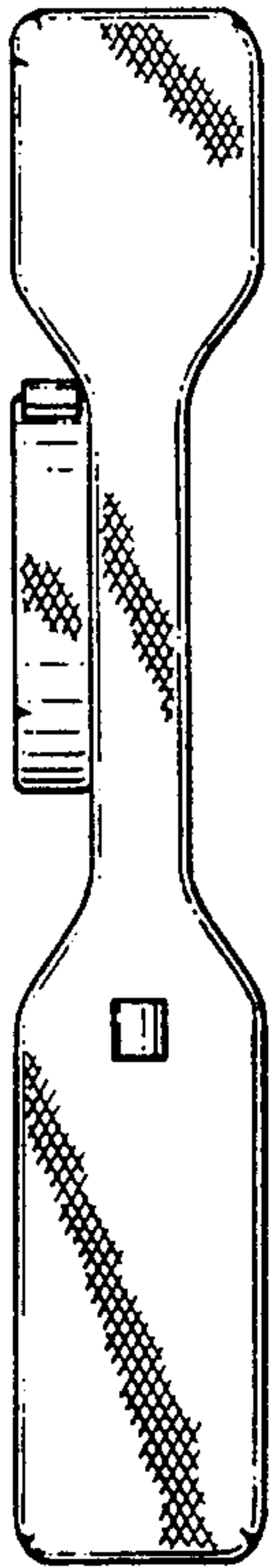


Fig. 2

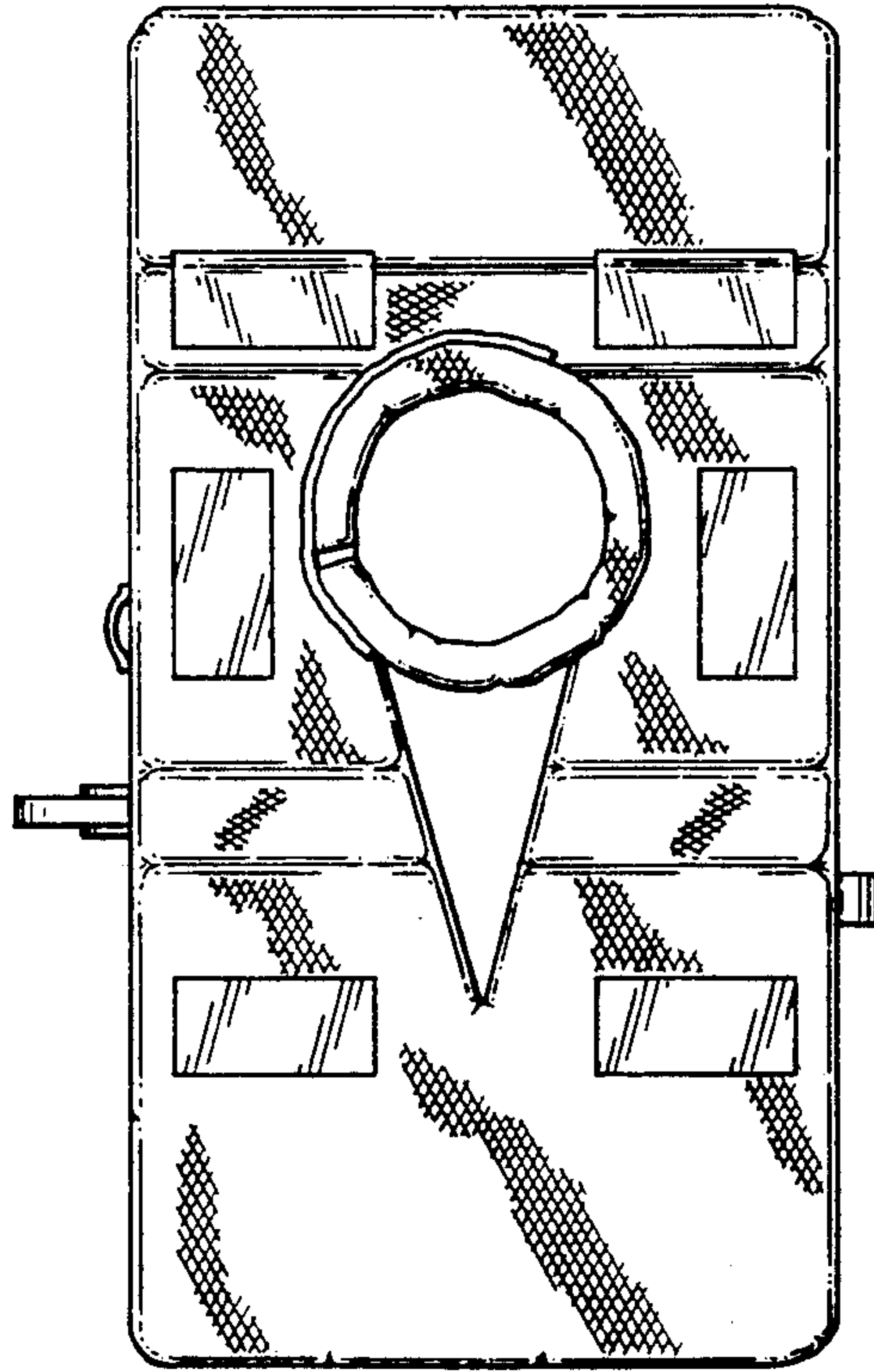


Fig. 4

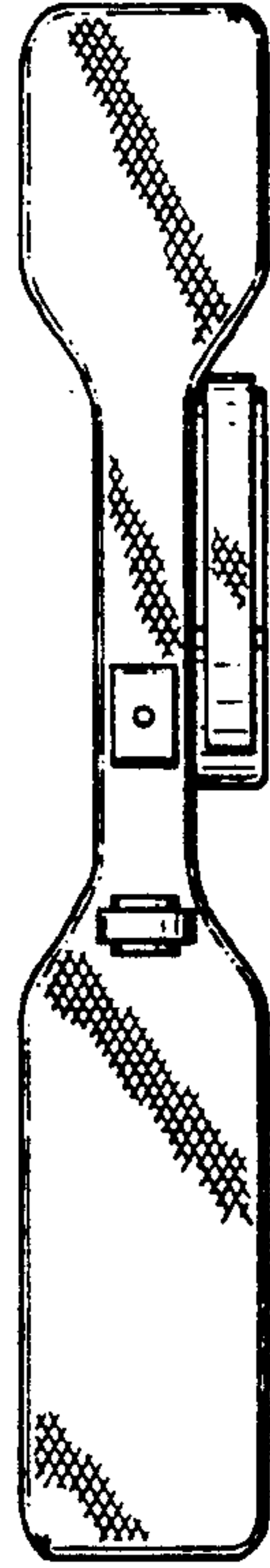


Fig. 5



Fig. 6

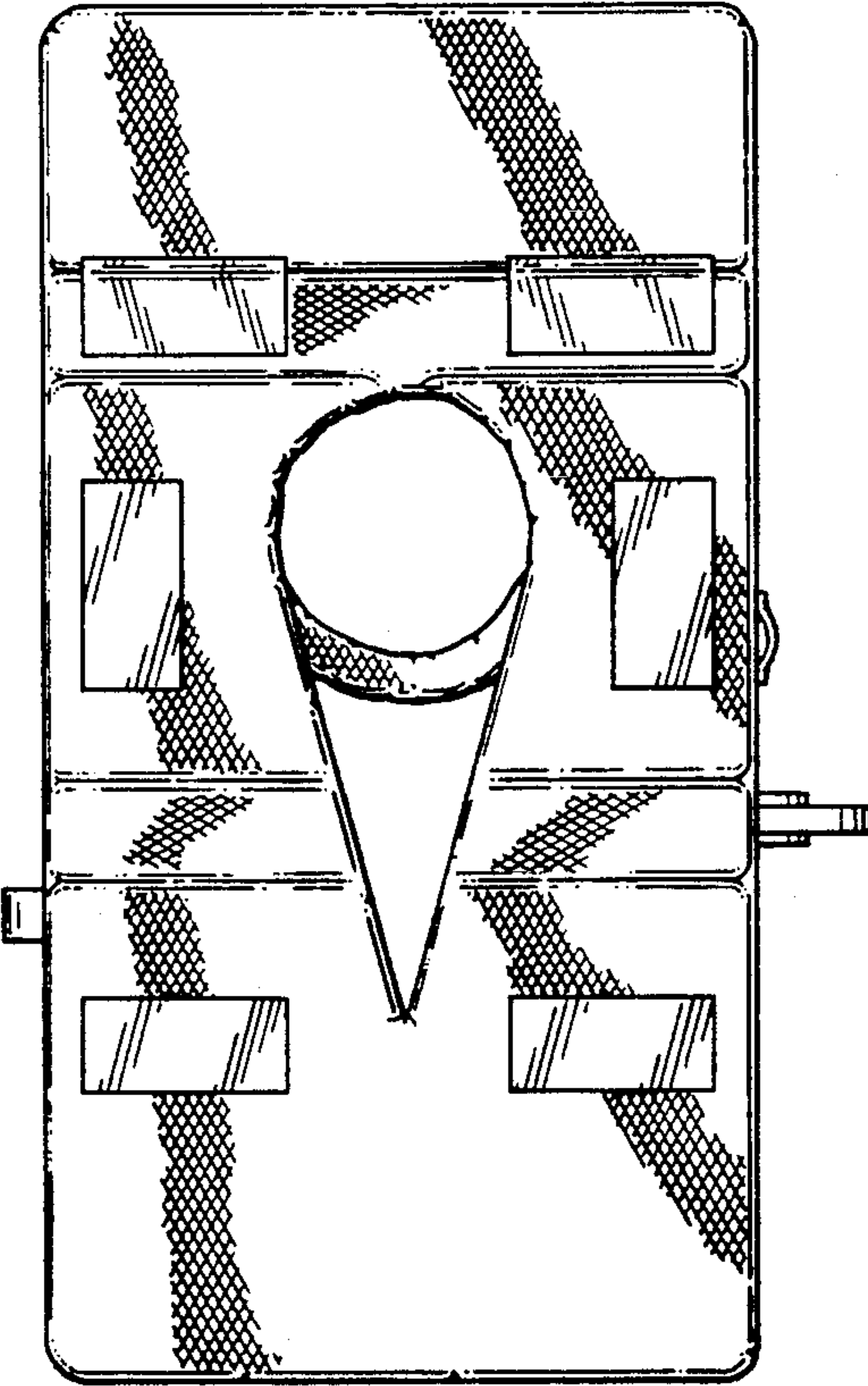


Fig. 7

