



US00D328934S

United States Patent [19]
Friedebach

[11] **Patent Number: Des. 328,934**

[45] **Date of Patent: ** Aug. 25, 1992**

[54] **PHYSICAL EXERCISER**

[75] **Inventor: Adolf H. Friedebach, Waconia, Minn.**

[73] **Assignee: Fitness Master, Inc., Waconia, Minn.**

[**] **Term: 14 Years**

[21] **Appl. No.: 522,973**

[22] **Filed: May 14, 1990**

[52] **U.S. Cl. D21/191**

[58] **Field of Search D21/191-197,
D21/199; 272/93, 69.70, 72, 97**

[56] **References Cited**

U.S. PATENT DOCUMENTS

- D. 225,342 12/1972 Flick et al. D21/192
- D. 225,343 12/1972 Flick et al. D21/192
- D. 303,131 8/1989 Lo D21/192

D. 315,764 3/1991 Friedebach D21/191

Primary Examiner—Melvin B. Feifer
Attorney, Agent, or Firm—Dorsey & Whitney

[57] **CLAIM**

The ornamental design for a physical exerciser, as shown and described.

DESCRIPTION

FIG. 1 is a front perspective view of a physical exerciser showing my new design;
 FIG. 2 is a front elevational view thereof;
 FIG. 3 is a side elevational view thereof;
 FIG. 4 is a side elevational view of the side opposite that shown in FIG. 3;
 FIG. 5 is a rear elevational view thereof;
 FIG. 6 is a top plan view thereof; and,
 FIG. 7 is a bottom plan view thereof.

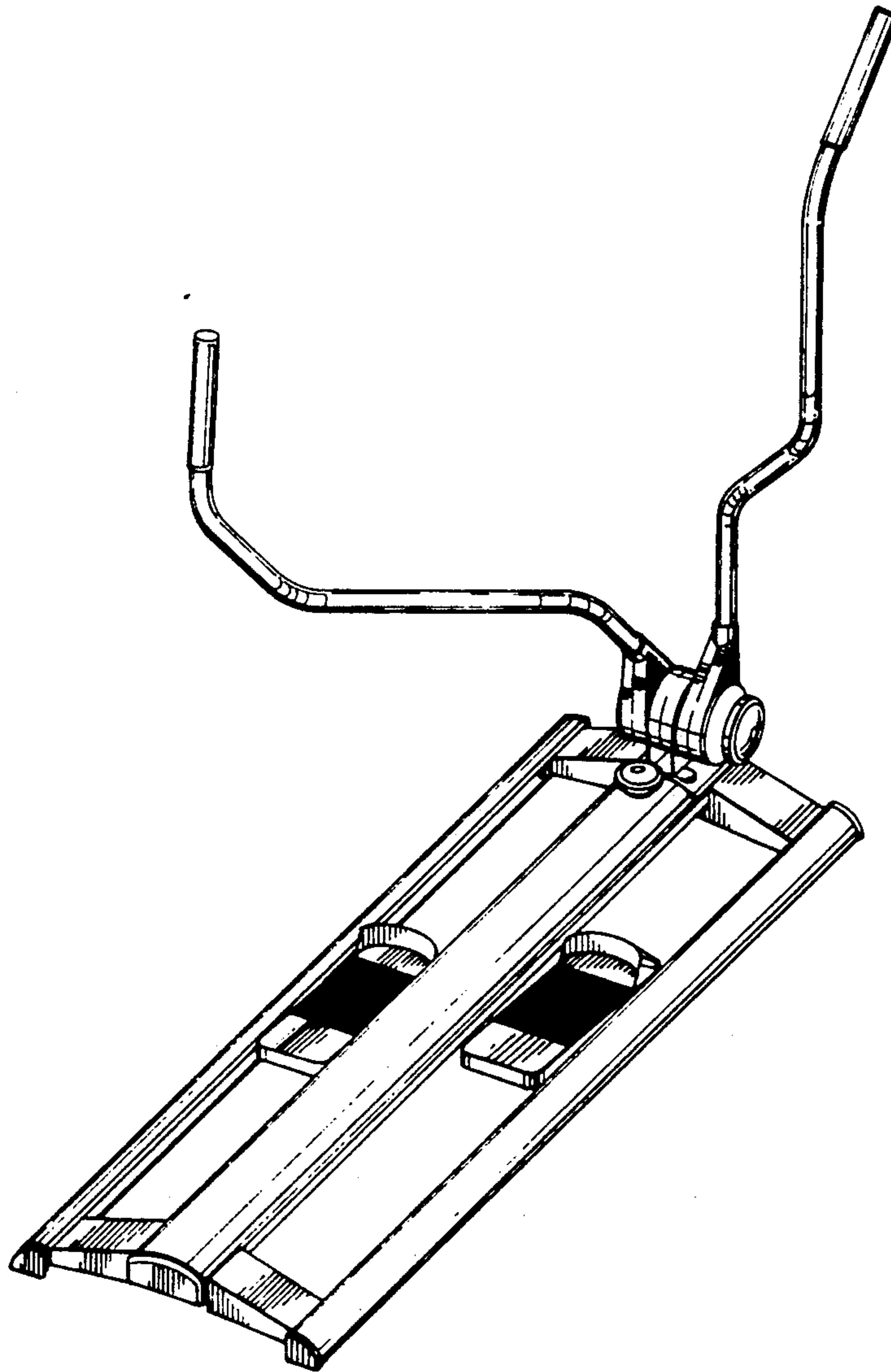
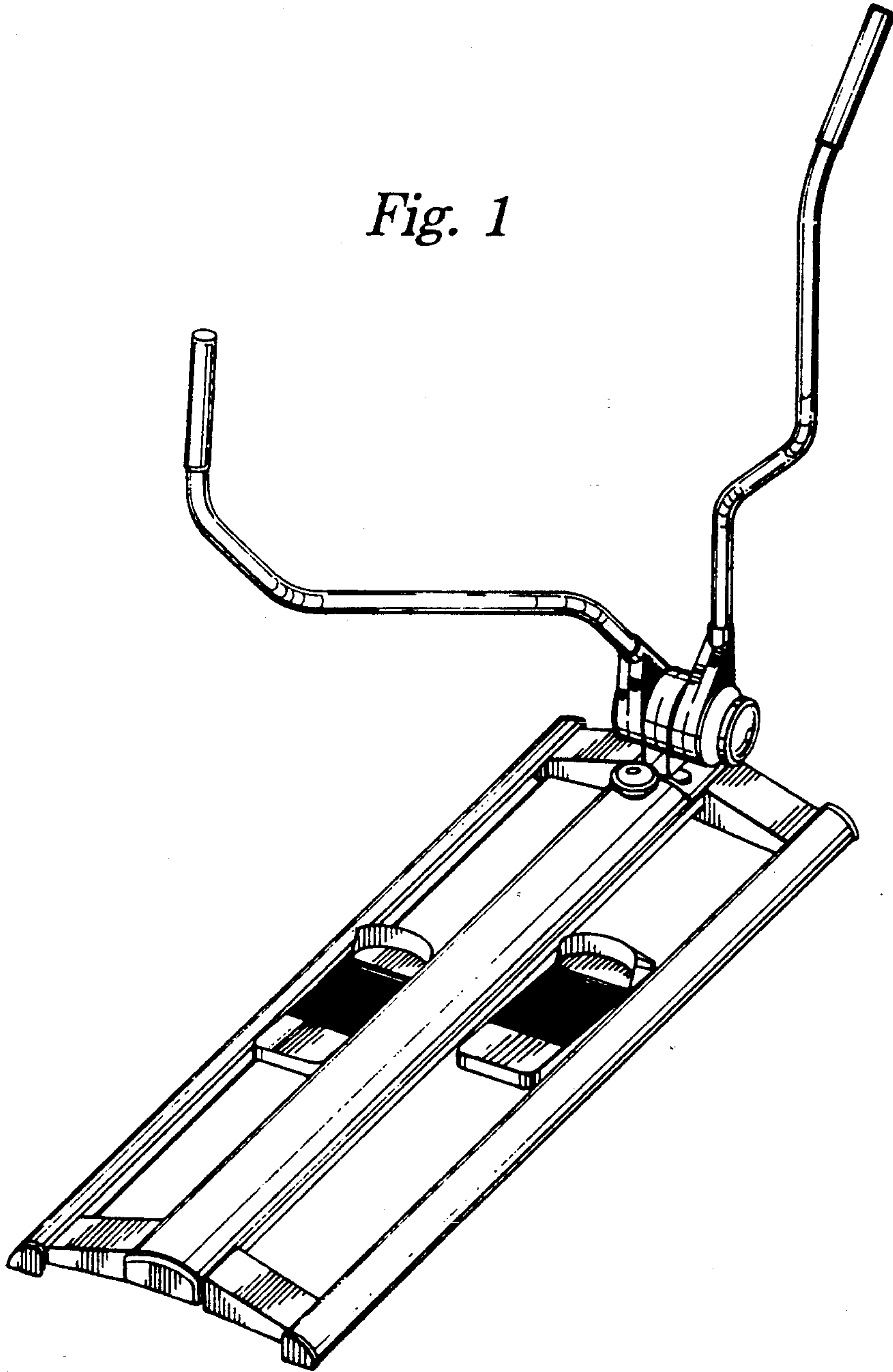
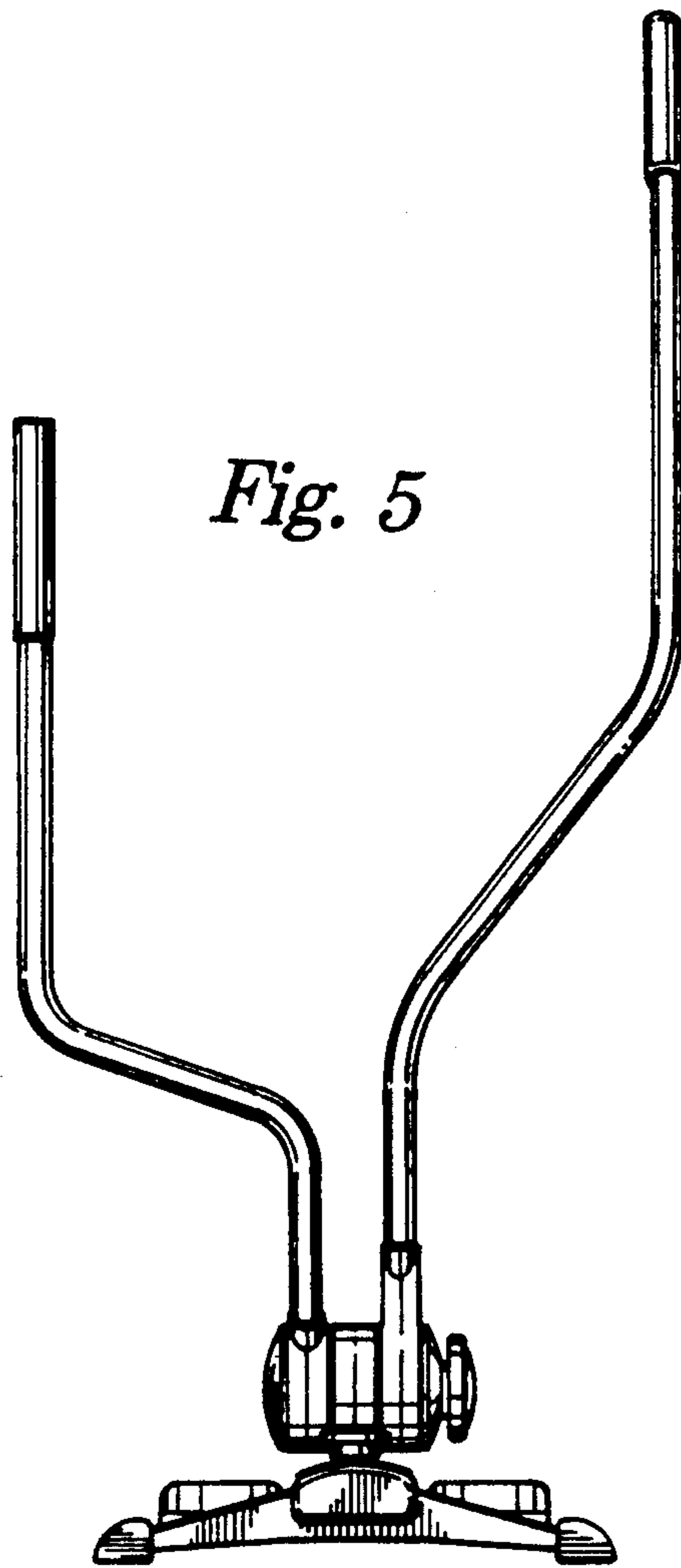
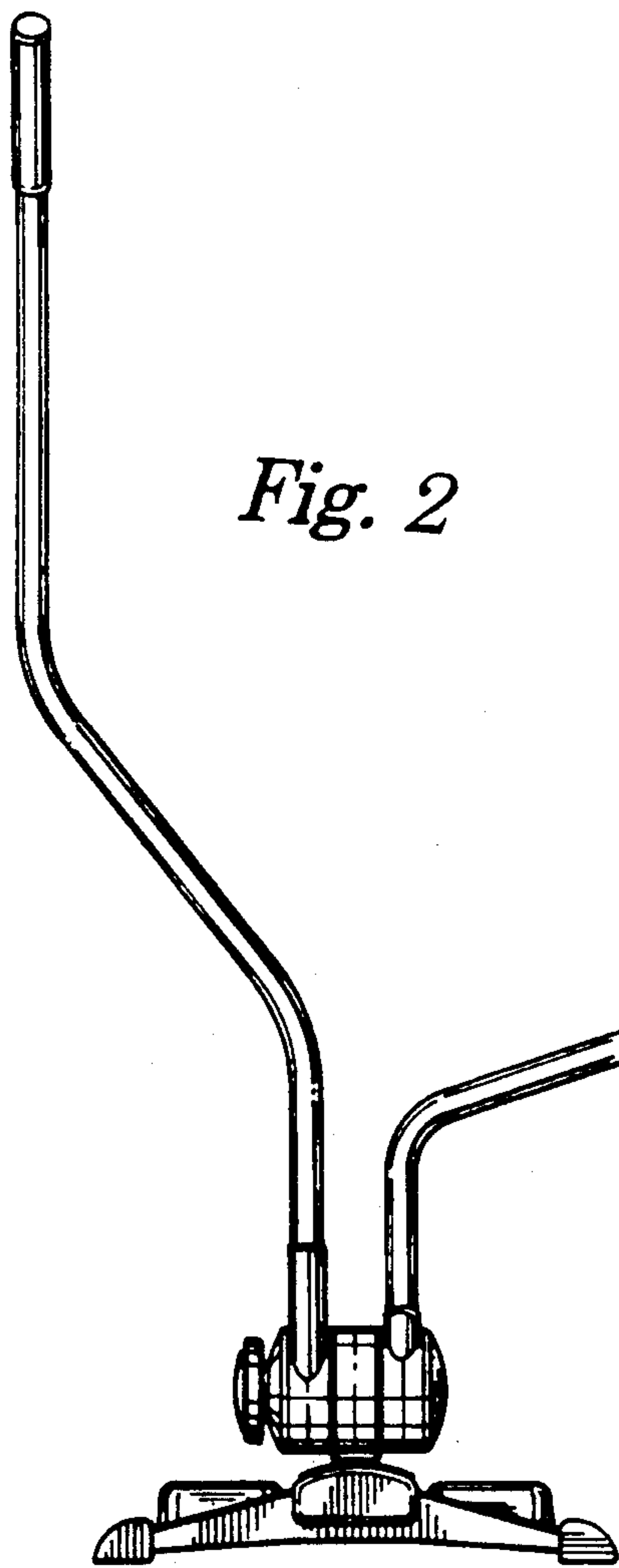


Fig. 1





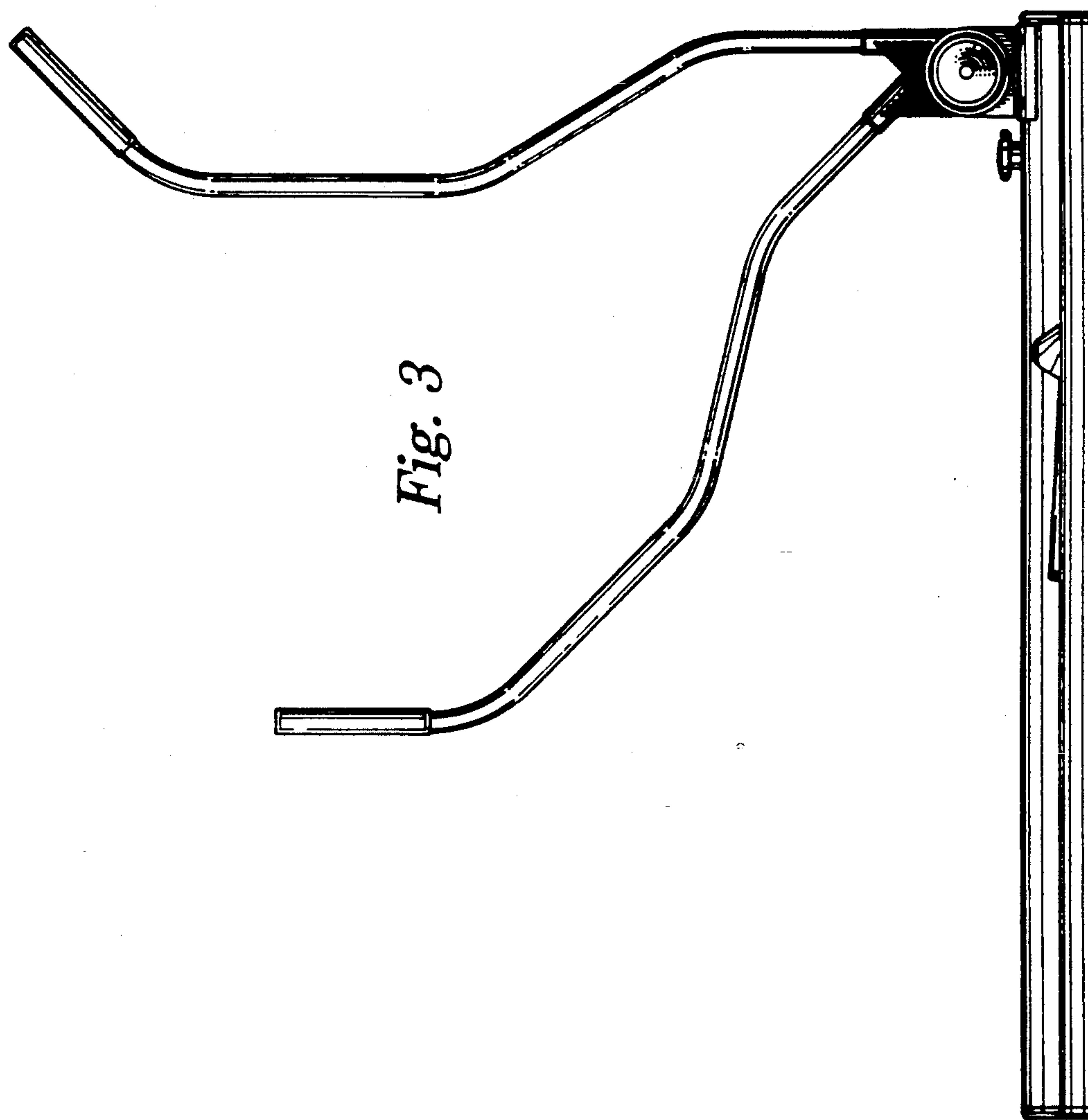


Fig. 3

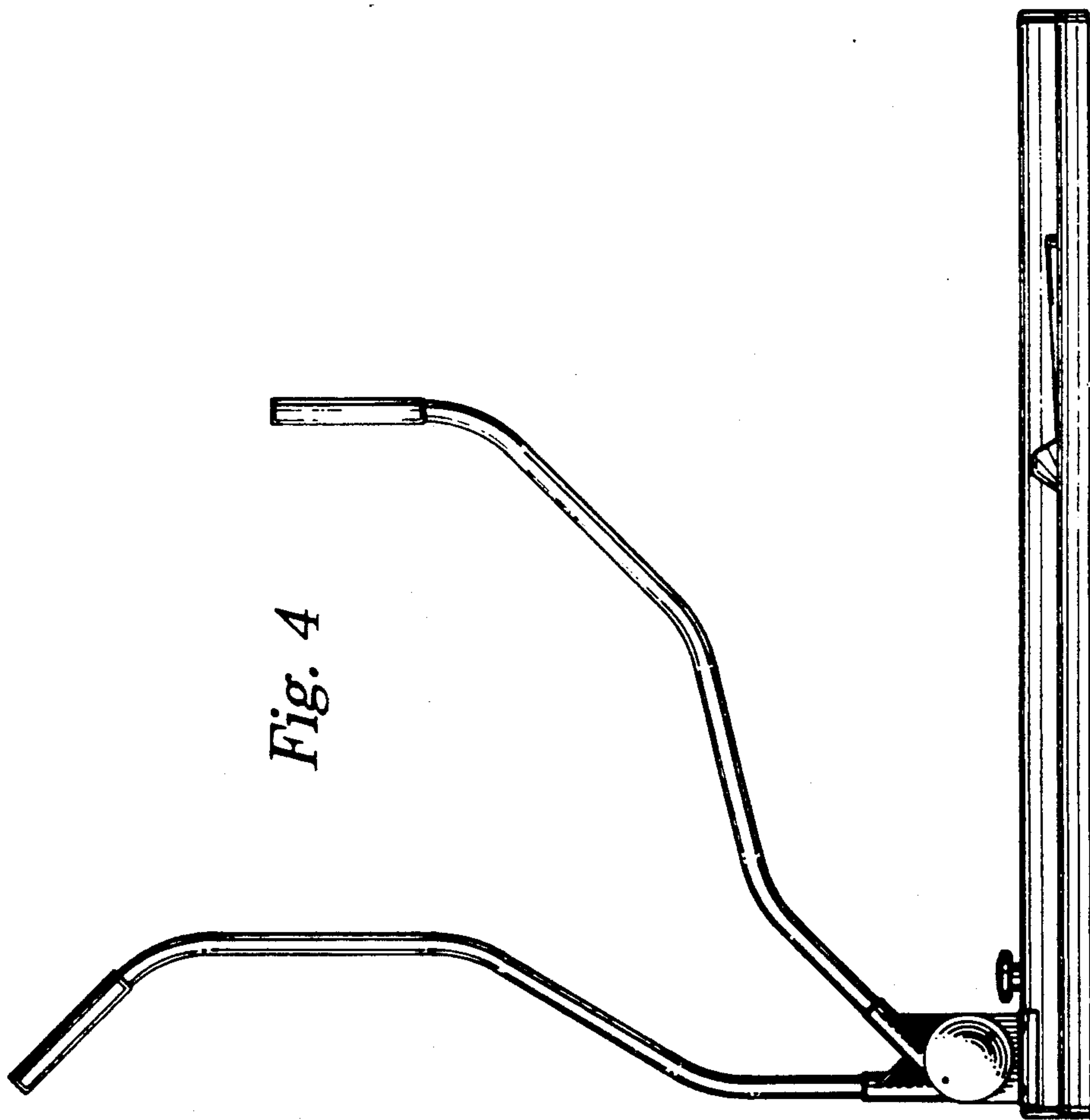


Fig. 4

Fig. 6

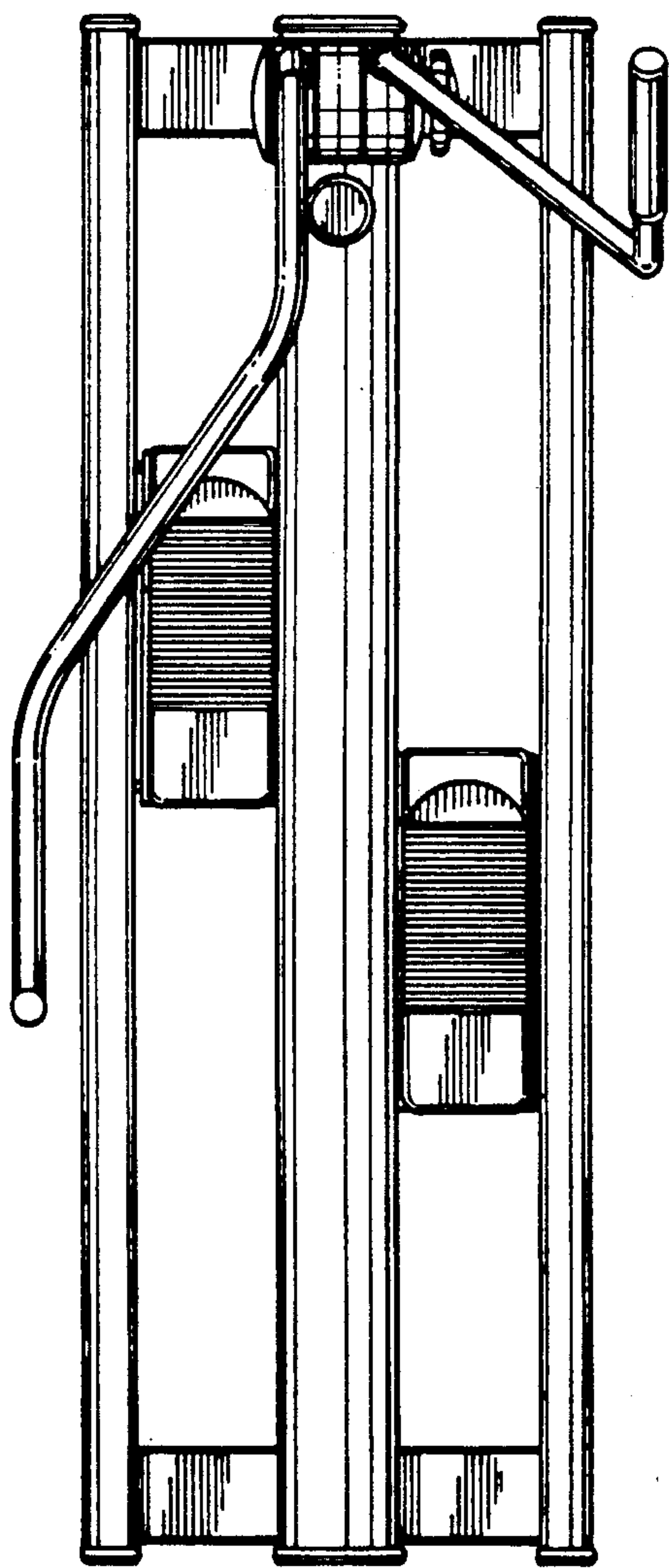


Fig. 7

