



US00D328919S

United States Patent [19]

Bulgari

[11] Patent Number: **Des. 328,919**

[45] Date of Patent: **** Aug. 25, 1992**

[54] **FOUNTAIN PEN**

[75] Inventor: **Paolo Bulgari, Rome, Italy**

[73] Assignee: **Bulgari Time (Switzerland) S.A., Geneva, Switzerland**

[**] Term: **14 Years**

[21] Appl. No.: **621,559**

[22] Filed: **Nov. 30, 1990**

[30] **Foreign Application Priority Data**

Aug. 10, 1990 [WO] World Int. Prop. O. ... DM/017.378

[52] U.S. Cl. **D19/51; D19/43; D19/48; D19/56; D19/57**

[58] Field of Search **D19/35, 36, 41-51, D19/54-58, 81-85; 401/221, 222, 224, 243, 244, 245, 246, 247**

[56] **References Cited**

U.S. PATENT DOCUMENTS

- D. 121,087 6/1940 Andrews D19/51
- D. 132,663 6/1942 Dreyfuss D19/51
- D. 146,016 12/1946 Campbell et al. D19/43 X
- D. 151,771 11/1948 Kaupmann D19/51 X
- D. 153,643 5/1949 Snodgrass D19/48
- D. 180,621 7/1957 Schoeman D19/51

- D. 182,866 5/1958 Yates D19/51
- D. 190,307 5/1961 Bieger D19/51
- D. 319,663 9/1991 Katami D19/51

Primary Examiner—Nelson C. Holtje
Assistant Examiner—Martha Thompson
Attorney, Agent, or Firm—Barnes, Kisselle, Raisch, Choate, Whittemore & Hulbert

[57] **CLAIM**

The ornamental design for a fountain pen, as shown and described.

DESCRIPTION

FIG. 1 is a top, right front perspective view of a fountain pen showing my new design;
FIG. 2 is a front elevational view;
FIG. 3 is a right side elevational view, the left side being a mirror image thereof;
FIG. 4 is a rear elevational view;
FIG. 5 is a top plan view;
FIG. 6 is a bottom plan view;
FIG. 7 is a top, right front perspective view in an exploded condition;
FIG. 8 is a front elevational view of FIG. 7;
FIG. 9 is a right side elevational view of FIG. 7;
FIG. 10 is a rear elevational view of FIG. 7; and,
FIG. 11 is a left side elevational view of FIG. 7.

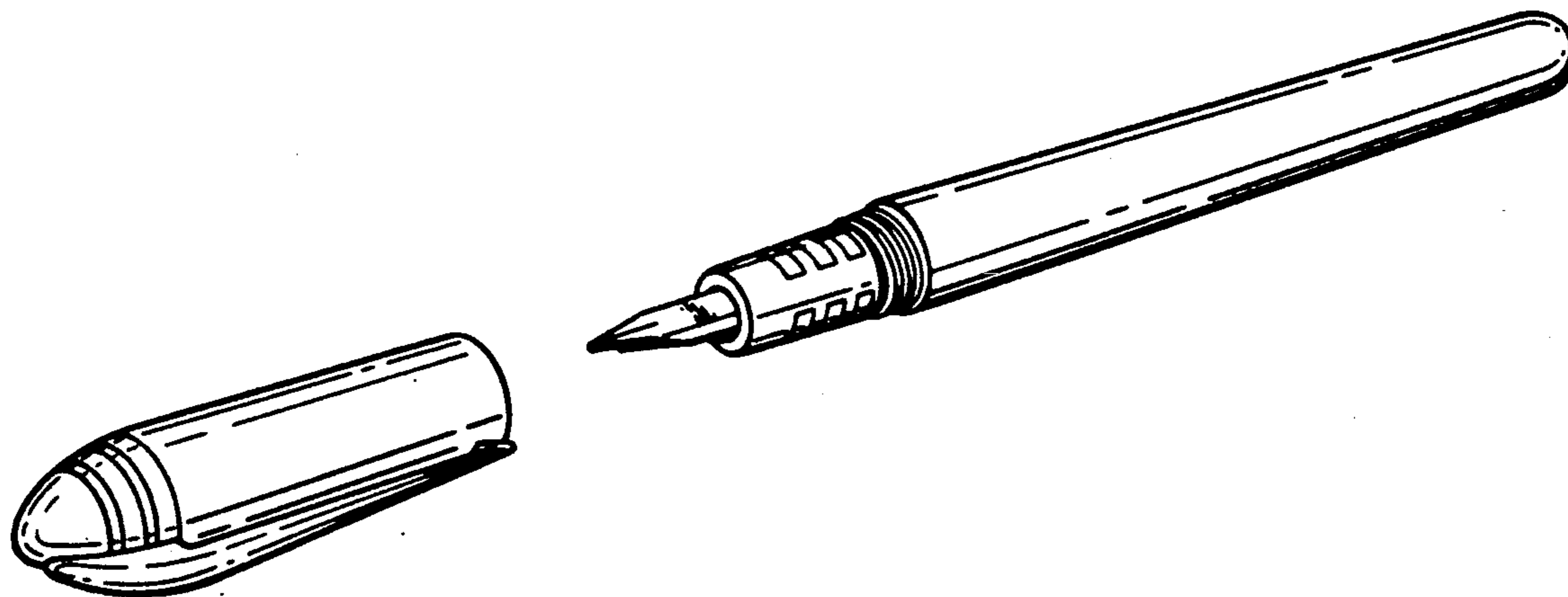


FIG. 1

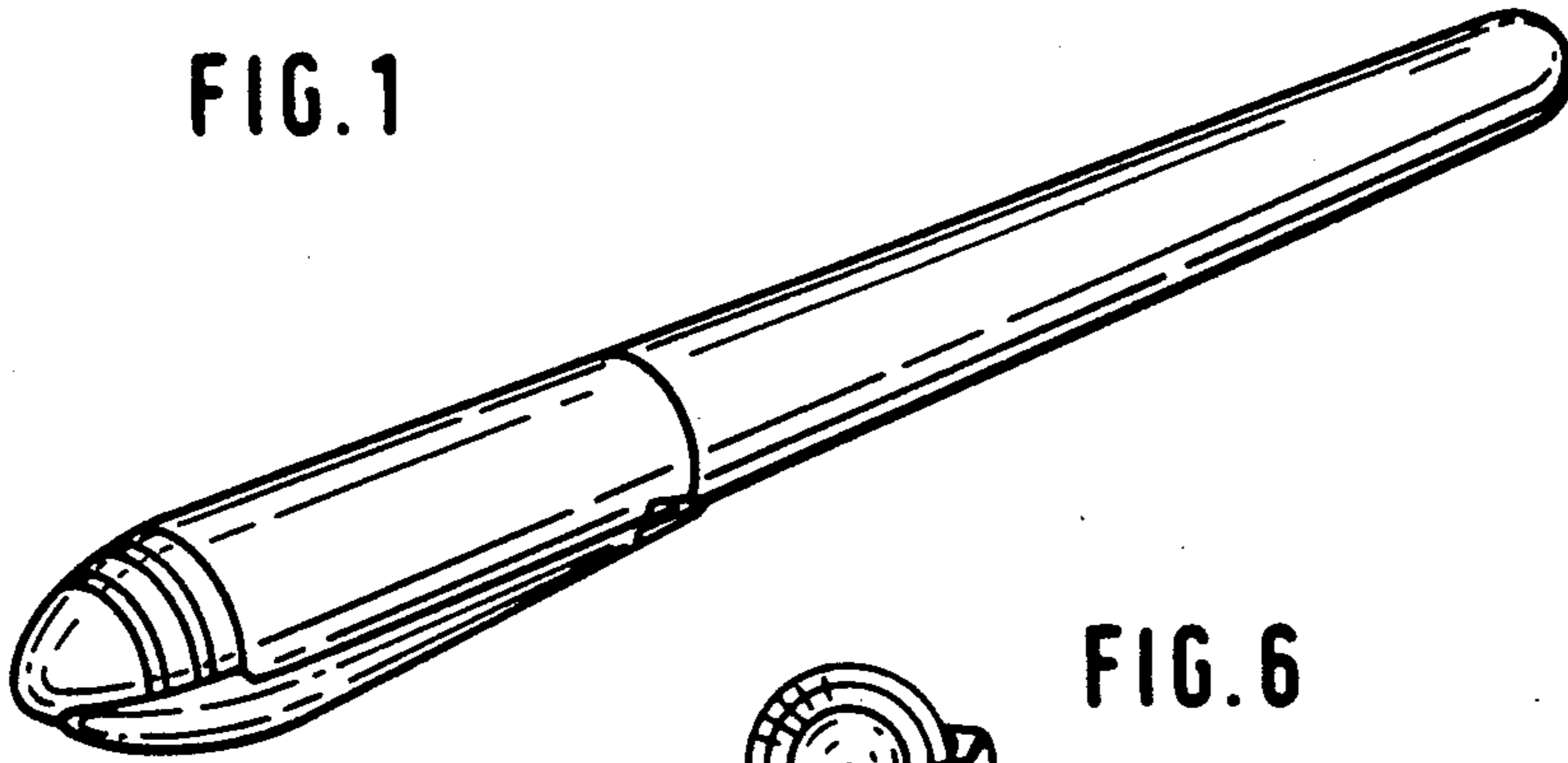


FIG. 6



FIG. 2



FIG. 3



FIG. 4



FIG. 5



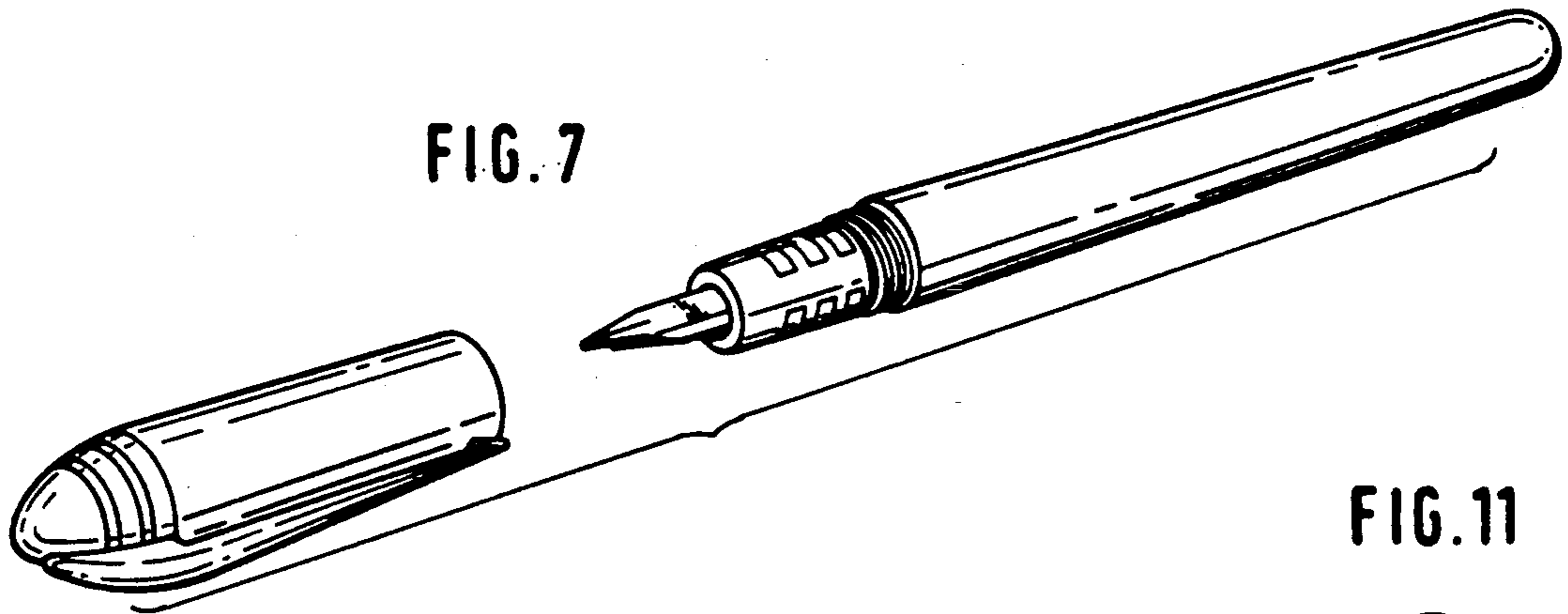


FIG. 11