



US00D328916S

United States Patent [19]

Nemeth

[11] Patent Number: **Des. 328,916**

[45] Date of Patent: **** Aug. 25, 1992**

[54] **PRINTER STAND**

[75] Inventor: **Bradley M. Nemeth, San Francisco, Calif.**

[73] Assignee: **Wendell R. Brooks, Inc., Ft. Worth, Tex.**

[**] Term: **14 Years**

[21] Appl. No.: **612,711**

[22] Filed: **Nov. 13, 1990**

[52] U.S. Cl. **D18/59**

[58] Field of Search **D15/141; D18/53, 59; D6/411-415, 419-420, 429-430, 436, 449, 462-463, 474; D34/19-20; 211/11, 126; 248/174, 176, 459-460, 676; 229/111-112; 220/6; 206/214, 371, 505, 511, 561**

[56] **References Cited**

U.S. PATENT DOCUMENTS

D. 286,715 11/1986 Schriener D6/462
D. 290,717 7/1987 Judd D18/59

D. 290,850 7/1987 Yon et al. D18/59
D. 296,217 6/1988 Drake et al. D18/59
D. 303,988 10/1989 Buchweitz, Jr. et al. D6/449
D. 313,614 1/1991 Hassel et al. D18/59
4,938,447 7/1990 Schriener 248/676
5,040,766 8/1991 Egley et al. 248/676

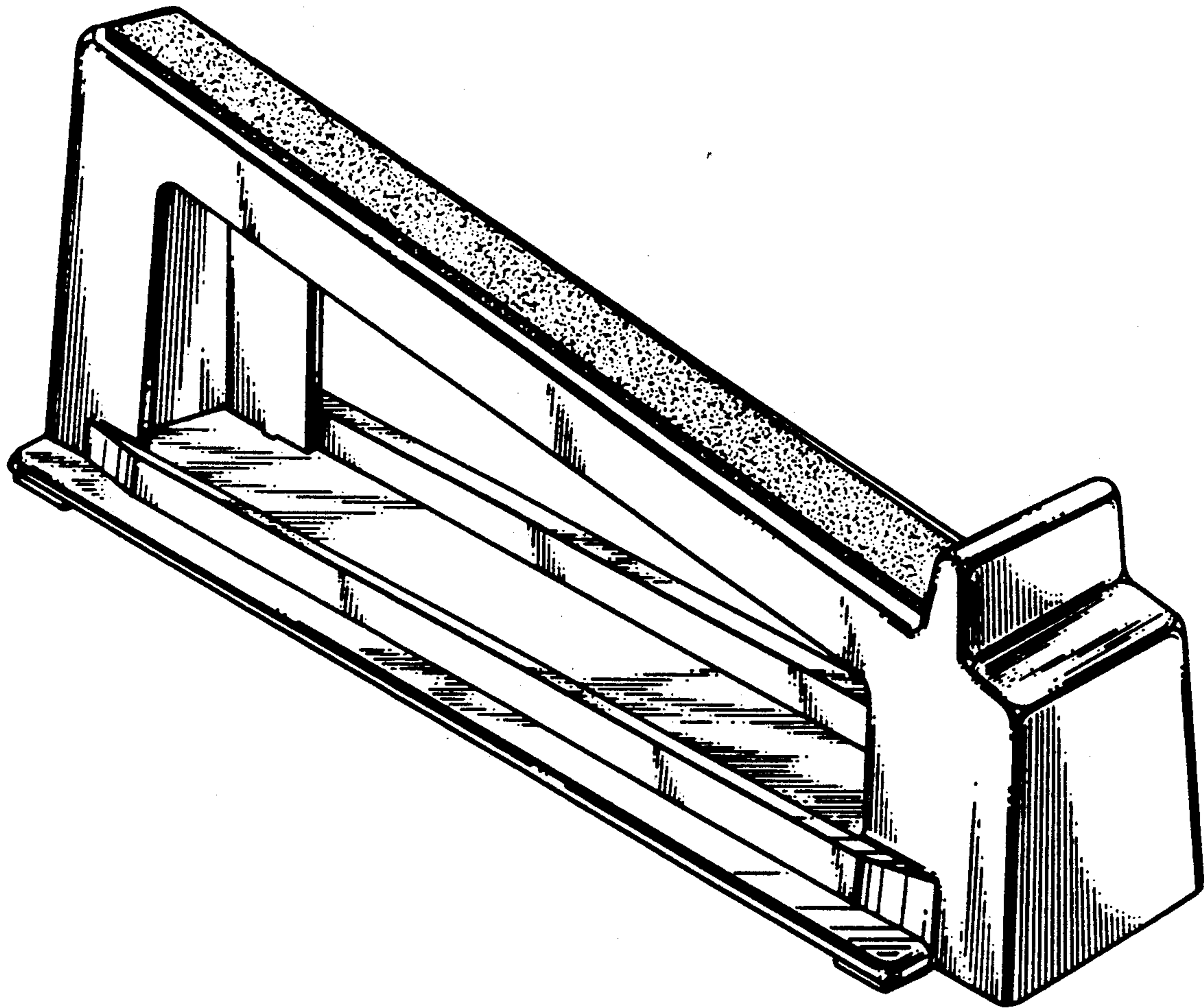
Primary Examiner—James R. Largen
Assistant Examiner—CathyAnne MacCormac
Attorney, Agent, or Firm—James E. Bradley

[57] CLAIM

The ornamental design for a printer stand, as shown and described.

DESCRIPTION

FIG. 1 is a perspective view of a printer stand showing my new design;
FIG. 2 is a top plan view thereof;
FIG. 3 is a left side elevational view thereof;
FIG. 4 is a front elevational view thereof;
FIG. 5 is a rear elevational view thereof;
FIG. 6 is a right side elevational view thereof; and,
FIG. 7 is a bottom plan view thereof.



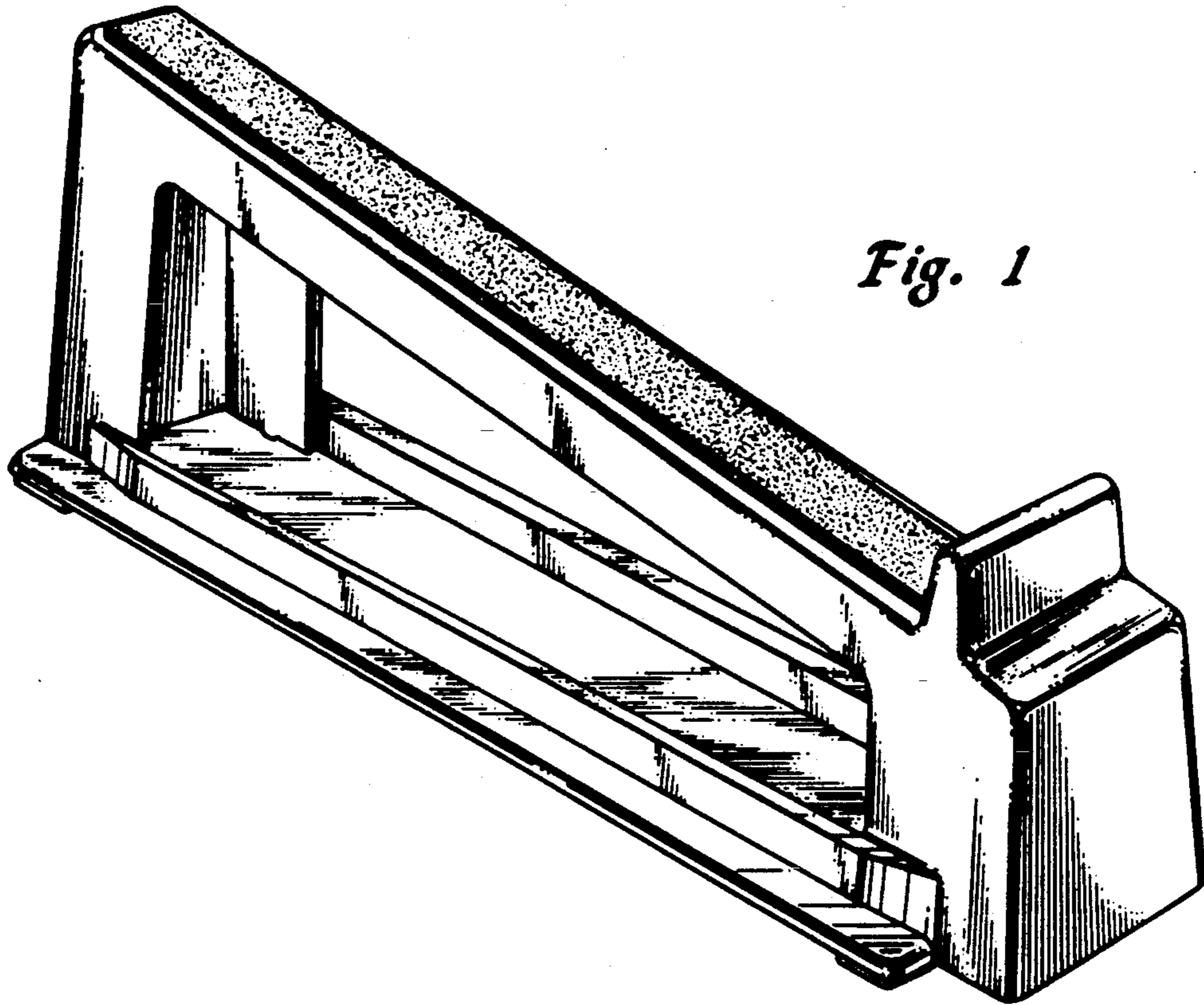


Fig. 1

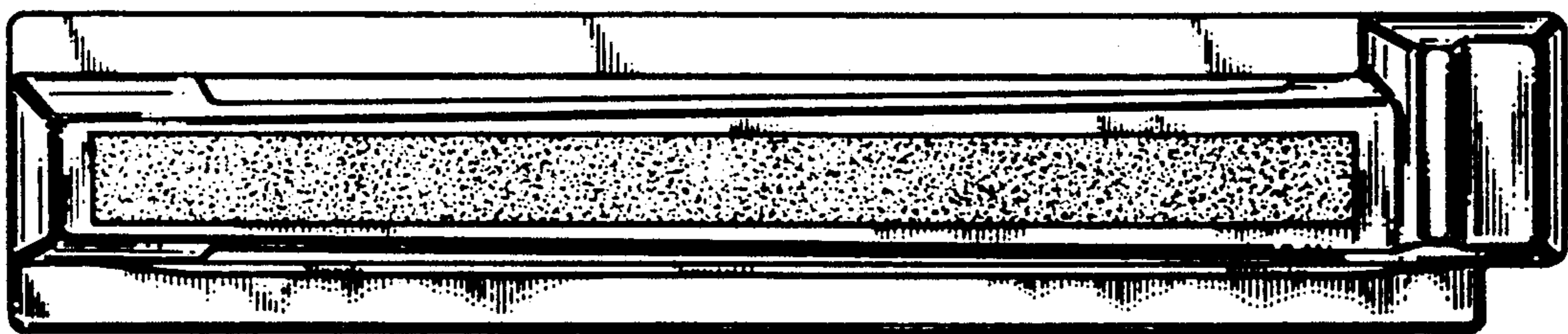


Fig. 2

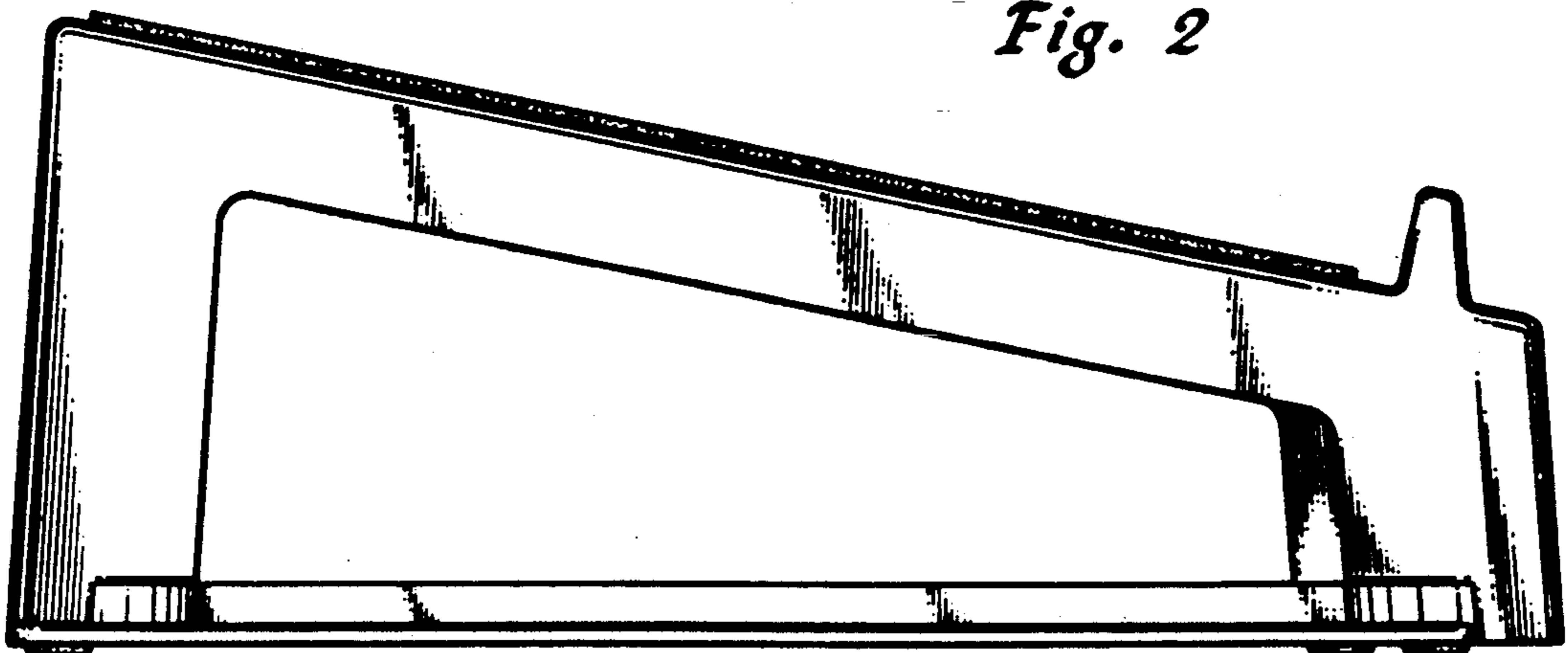


Fig. 3

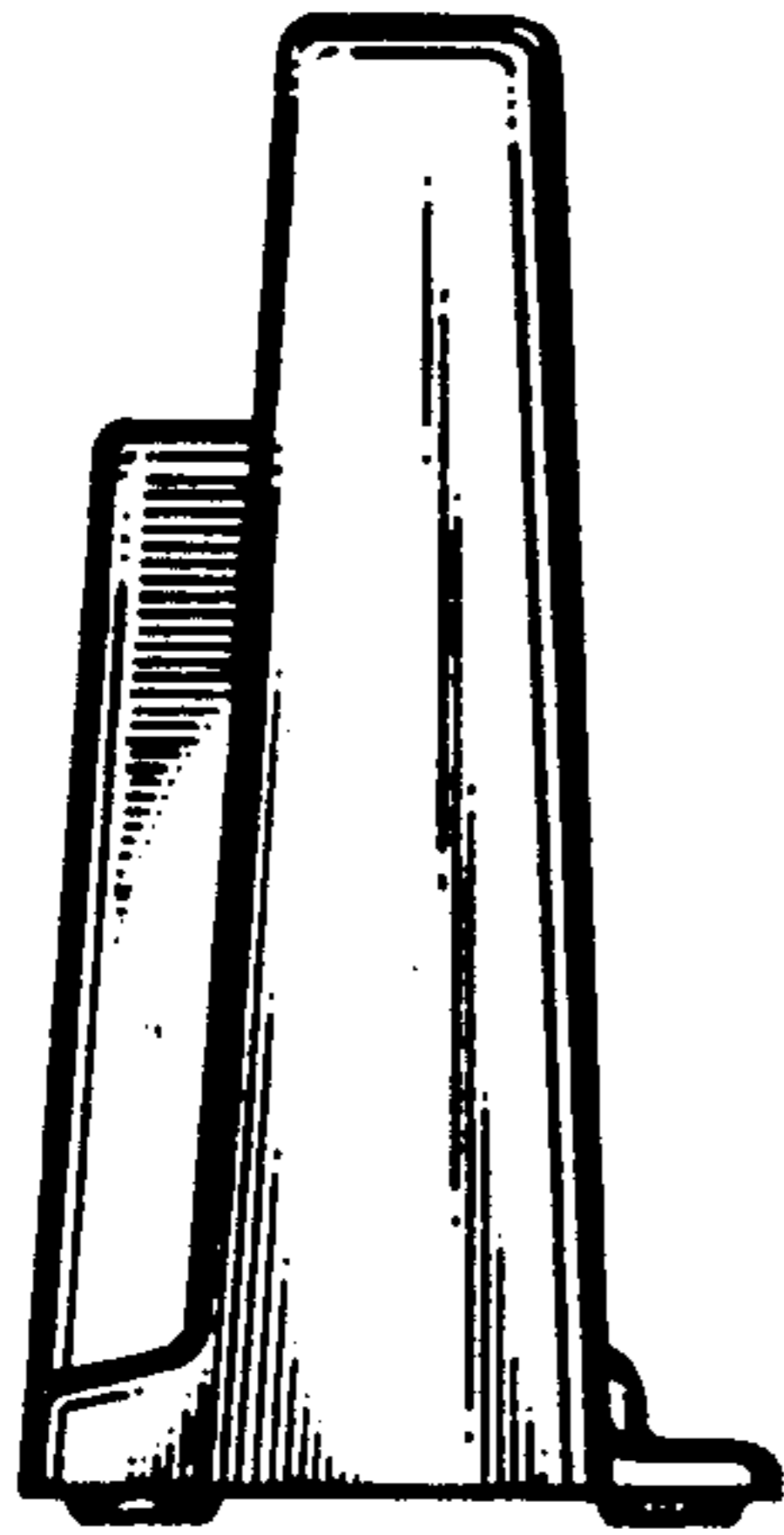


Fig. 4

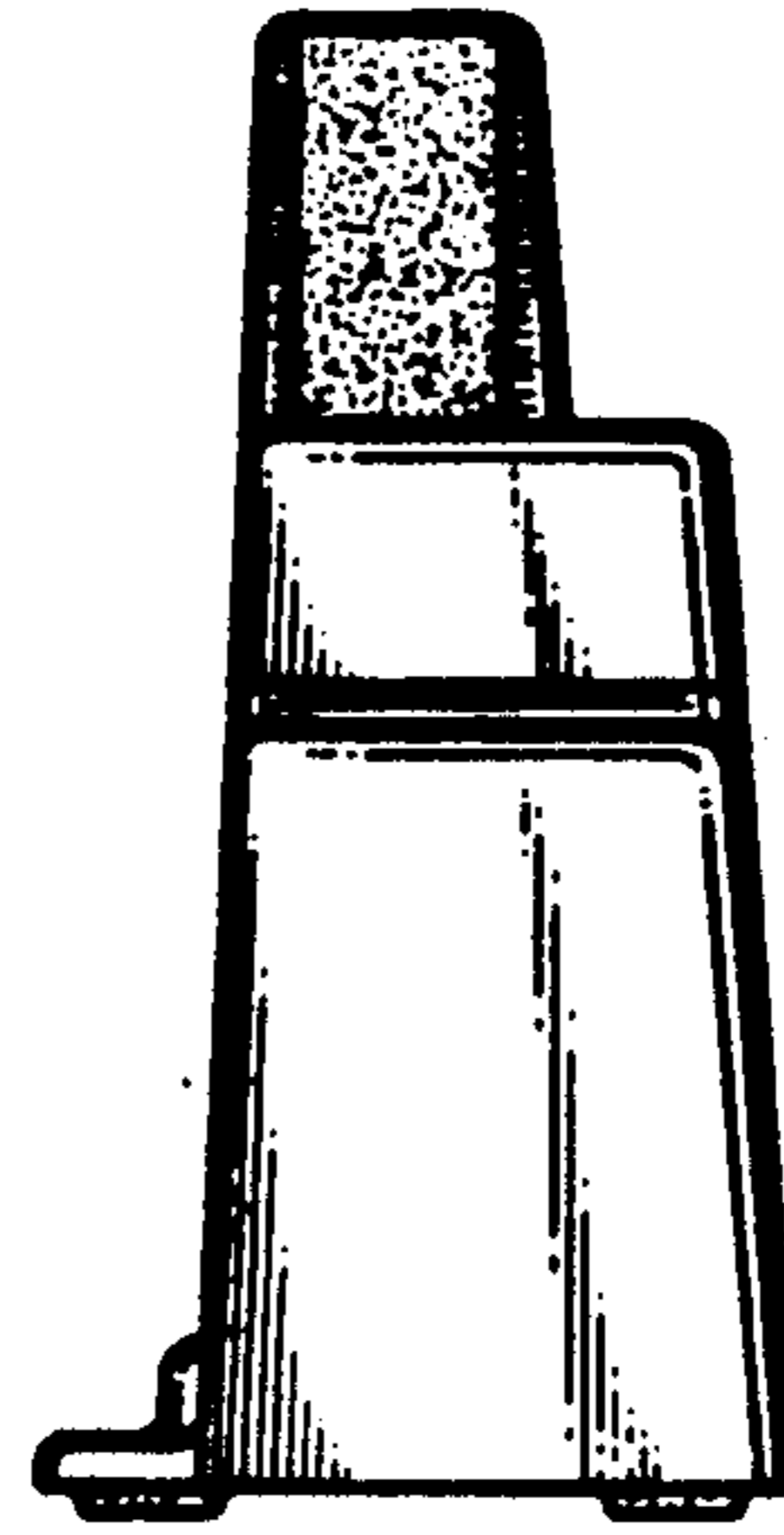


Fig. 5

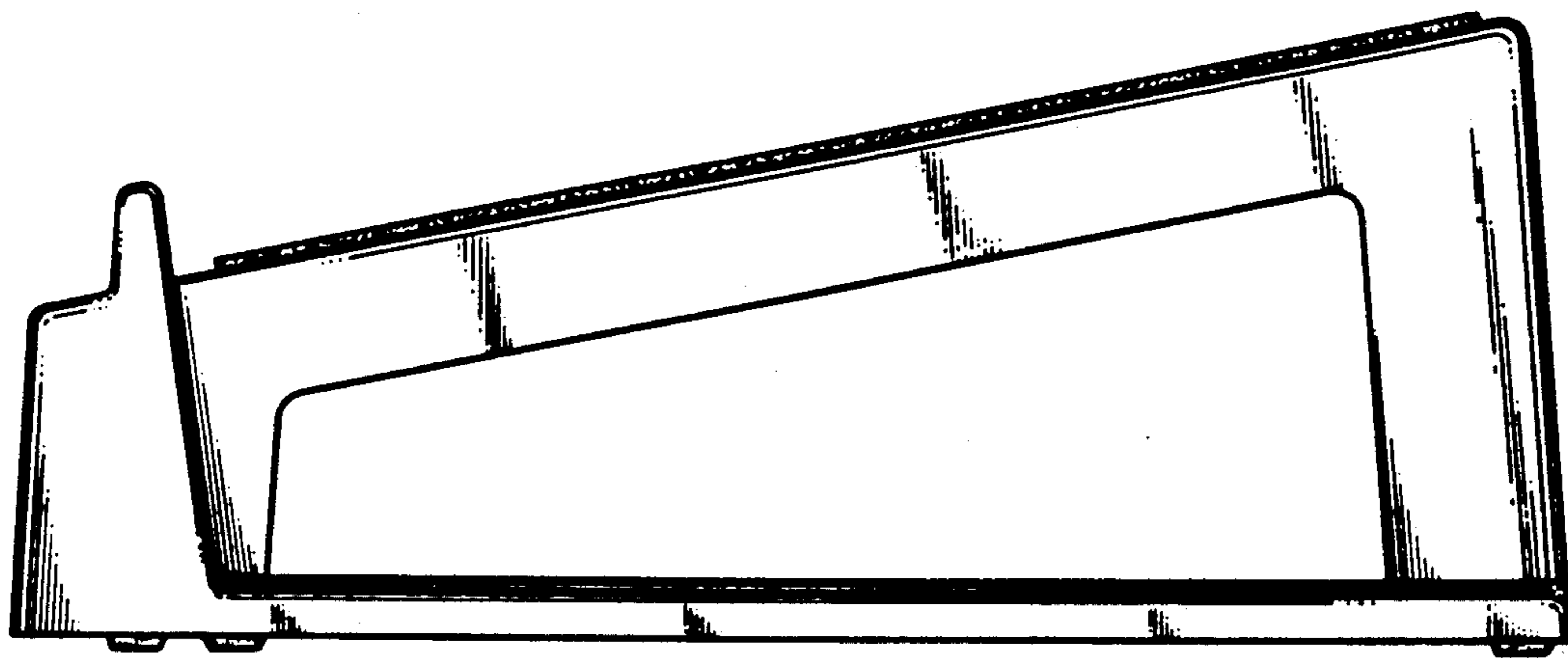


Fig. 6

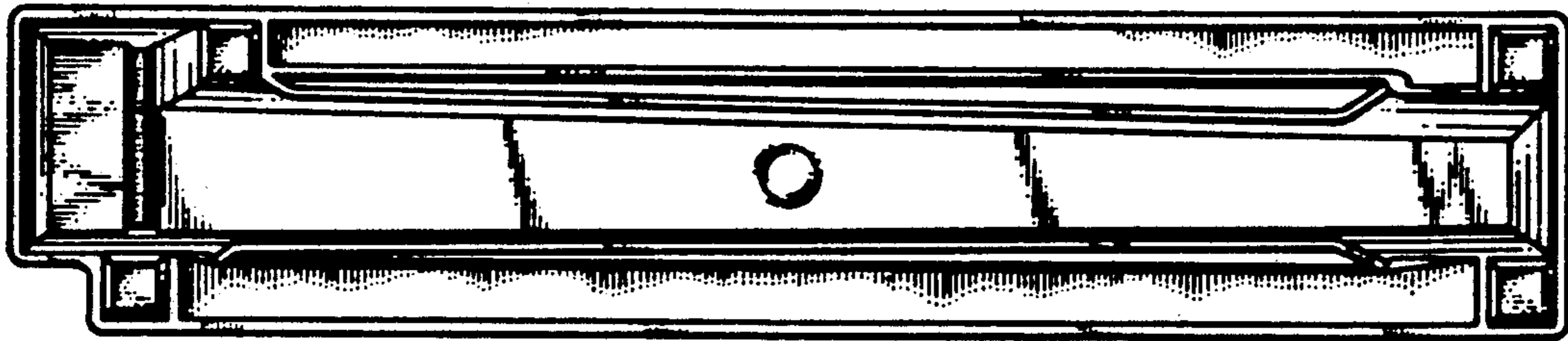


Fig. 7