



US00D328910S

United States Patent [19]

[11] Patent Number: **Des. 328,910**

Wallace

[45] Date of Patent: **** Aug. 25, 1992**

[54] MAGNIFIER OR SIMILAR ARTICLE

4,893,668 1/1990 Homura 160/368.1 X

[76] Inventor: **Jeffrey F. Wallace**, 2109 Mona Lisa Dr., Montgomery, Ala. 36111

OTHER PUBLICATIONS

Industrial Magnifier Catalog, May 1969, p. 16, Magnifier, Item A circled in middle of page.

[**] Term: **14 Years**

Primary Examiner—Wallace R. Burke

[21] Appl. No.: **401,736**

Assistant Examiner—H. Baynham

[22] Filed: **Sep. 1, 1989**

Attorney, Agent, or Firm—Fleit, Jacobson, Cohn, Price, Holman & Stern

[52] U.S. Cl. **D16/135**

[58] Field of Search **D16/135-136, D16/130; 350/236, 239, 244, 245, 250, 252, 256; D8/71**

[57] CLAIM

The ornamental design for a magnifier or similar article, as shown and described.

[56] References Cited

DESCRIPTION

U.S. PATENT DOCUMENTS

60,109	11/1866	Woodward	350/252 X
D. 126,411	4/1941	Audette	D8/71
D. 130,418	11/1941	Reynolds	D8/71
D. 145,638	9/1946	Rosenberg	.	
D. 215,245	9/1969	Schwab	.	
D. 243,394	2/1977	Nerad et al.	.	
D. 269,275	6/1983	Tweedie	.	
D. 278,348	4/1985	Horgan	.	
D. 291,448	8/1987	Tai-Kam	.	
D. 296,792	7/1988	Lewis	.	
3,166,626	1/1965	Vargady	D16/130 X
4,662,717	5/1987	Yamada et al.	350/245
4,709,657	12/1987	Gothard	.	

FIG. 1 is a front elevational view of a magnifier or similar article showing my new design;
 FIG. 2 is a top plan view thereof with the bottom view being a mirror image thereof;
 FIG. 3 is a rear elevational view thereof;
 FIG. 4 is a right side elevational view thereof with the opposite side being a mirror image thereof;
 FIG. 5 is a front elevational view of a second embodiment of the design shown in FIG. 1;
 FIG. 6 is a top plan view thereof with the bottom plan view and the right and left side elevational views being mirror images thereof; and,
 FIG. 7 is a rear elevational view thereof.

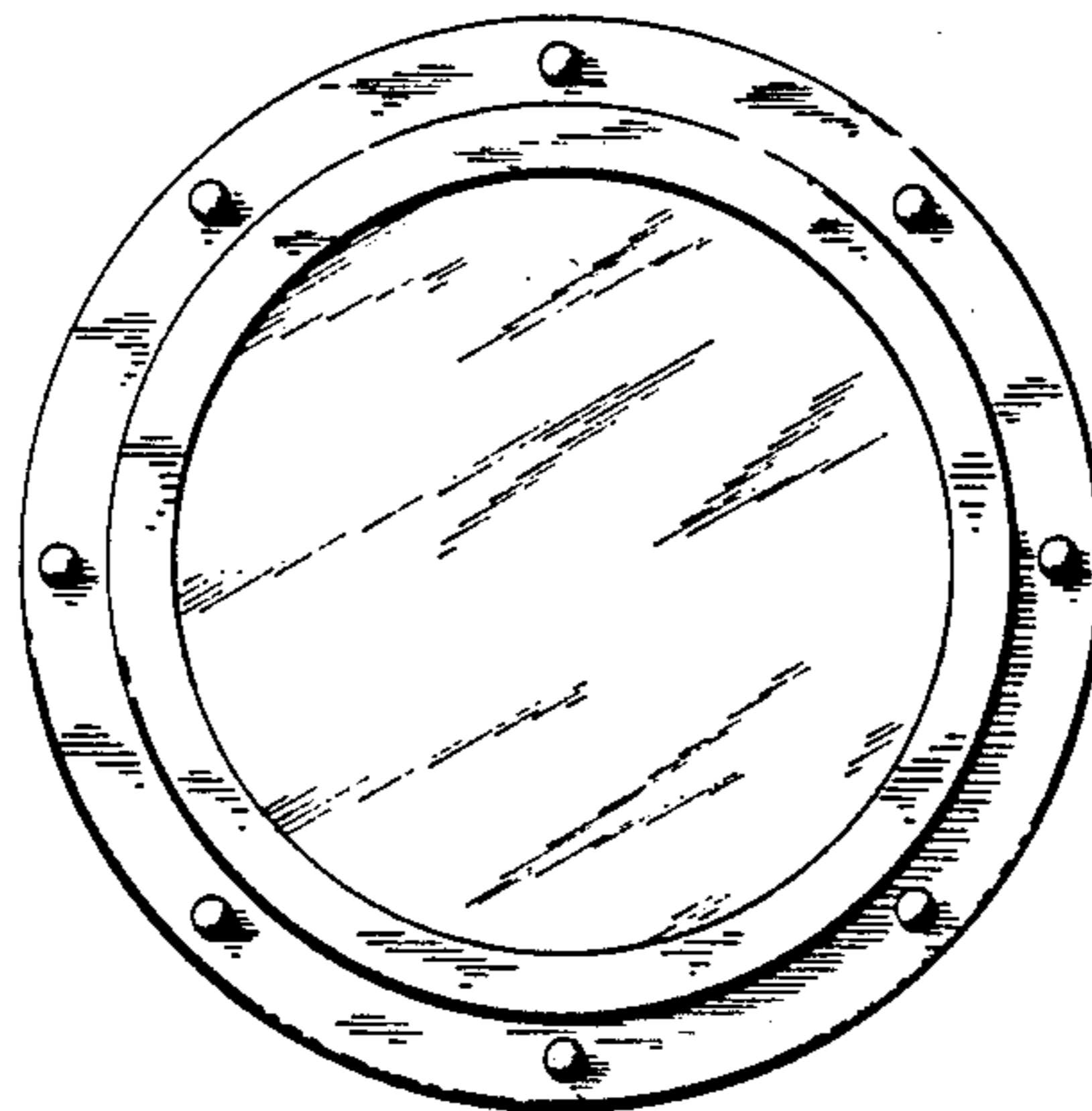
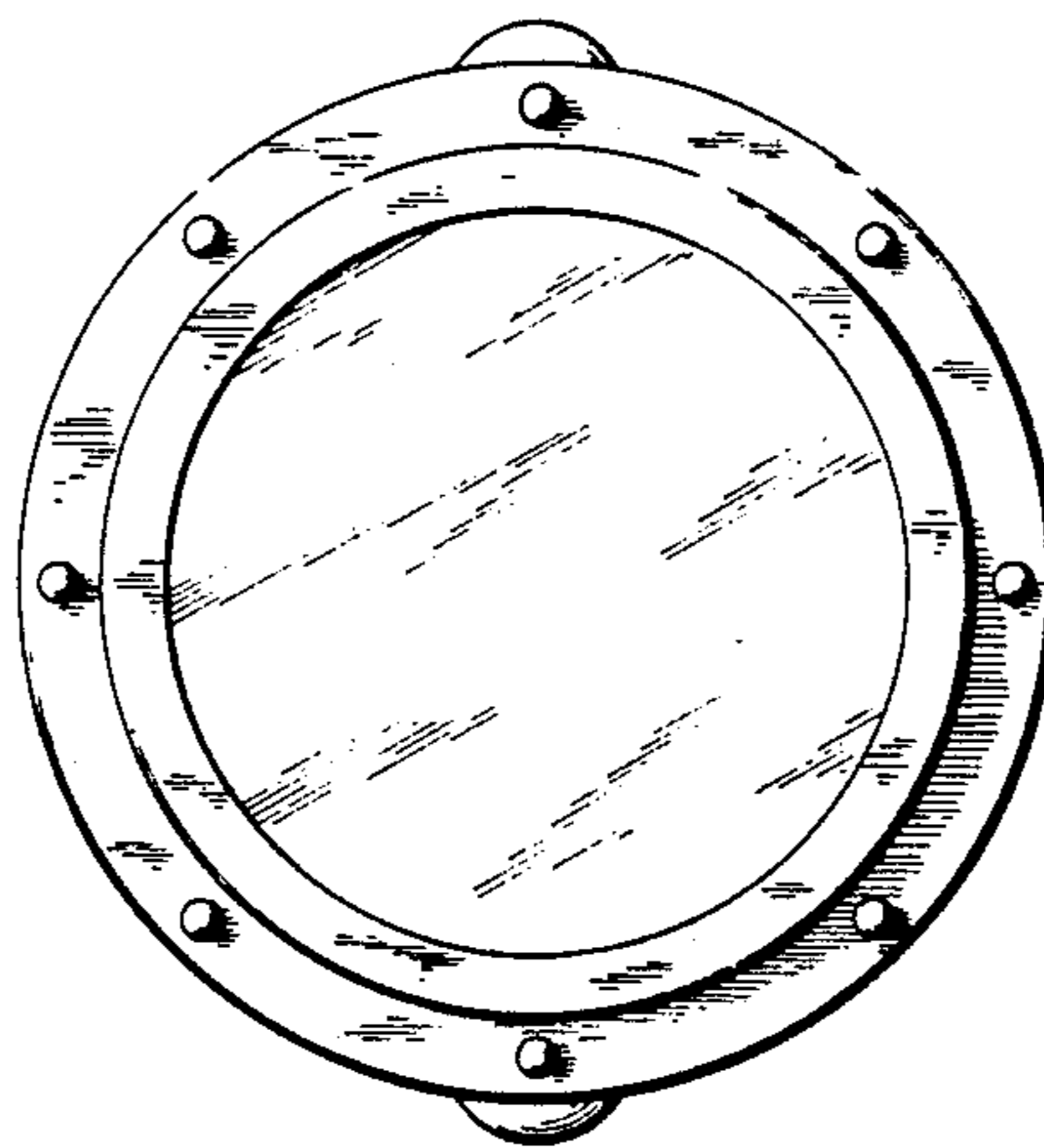


FIG. 1

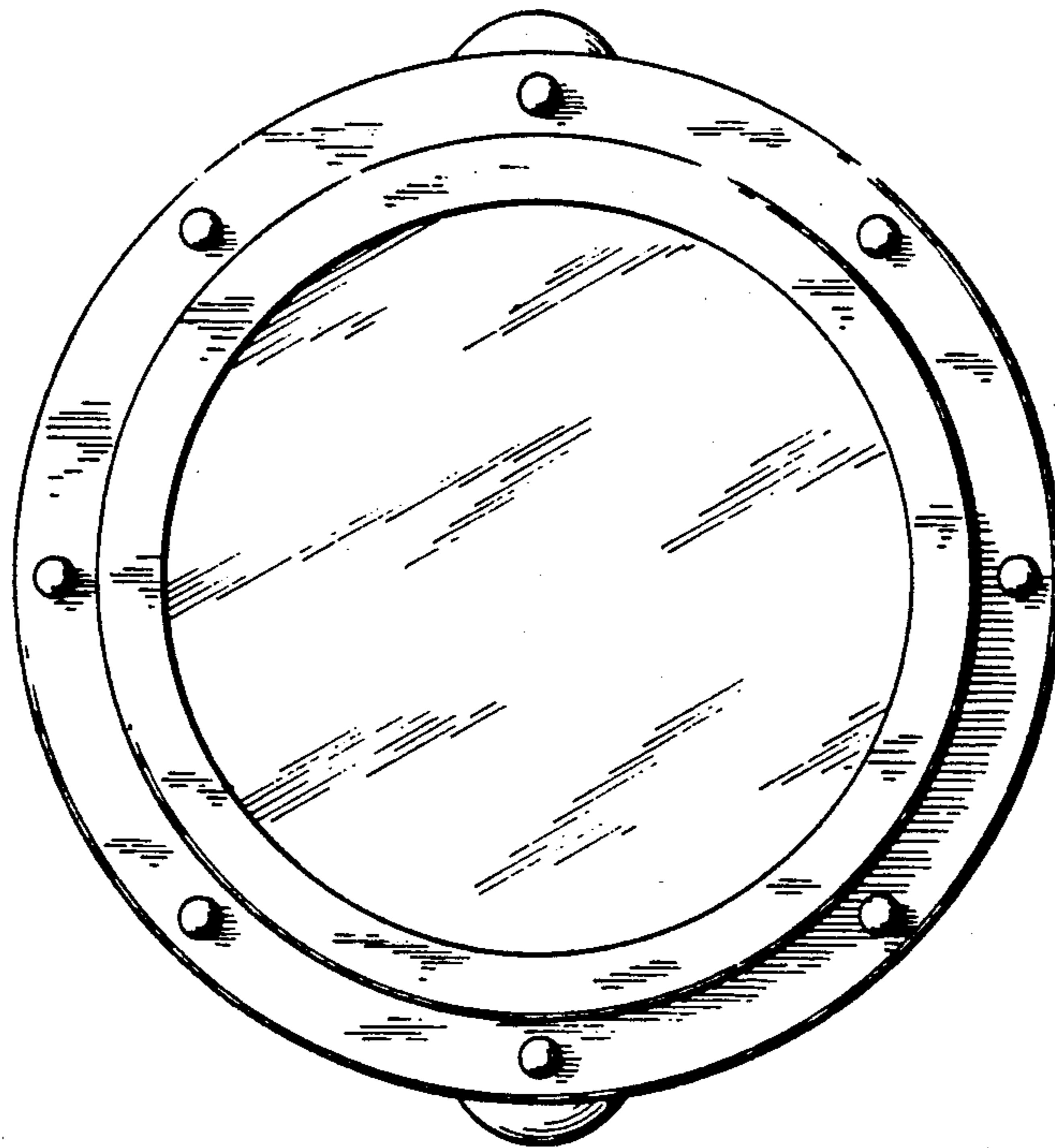


FIG. 2

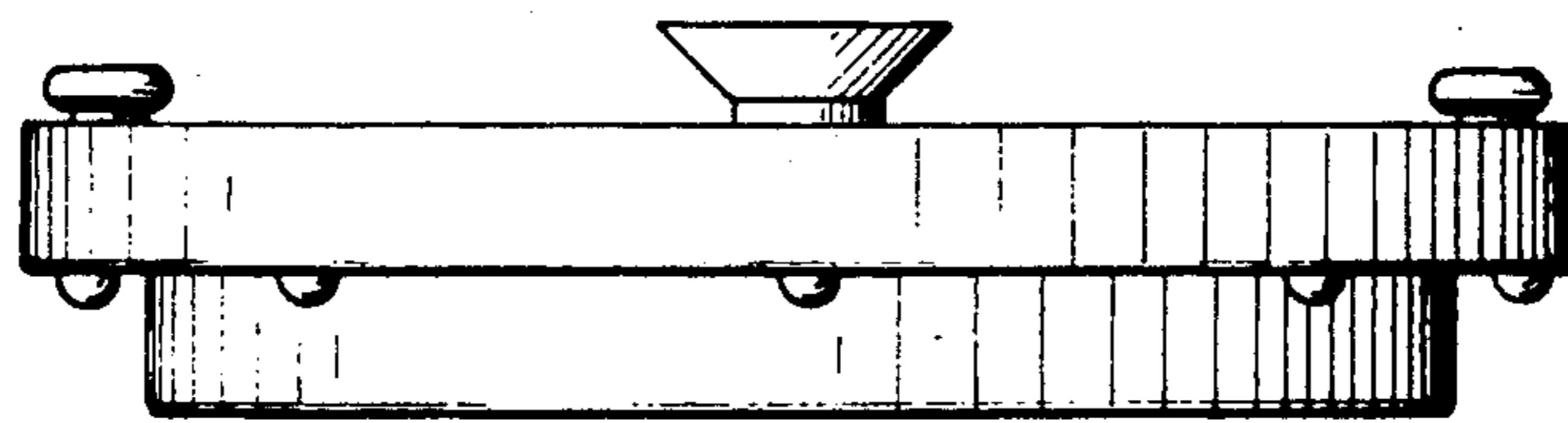


FIG. 3

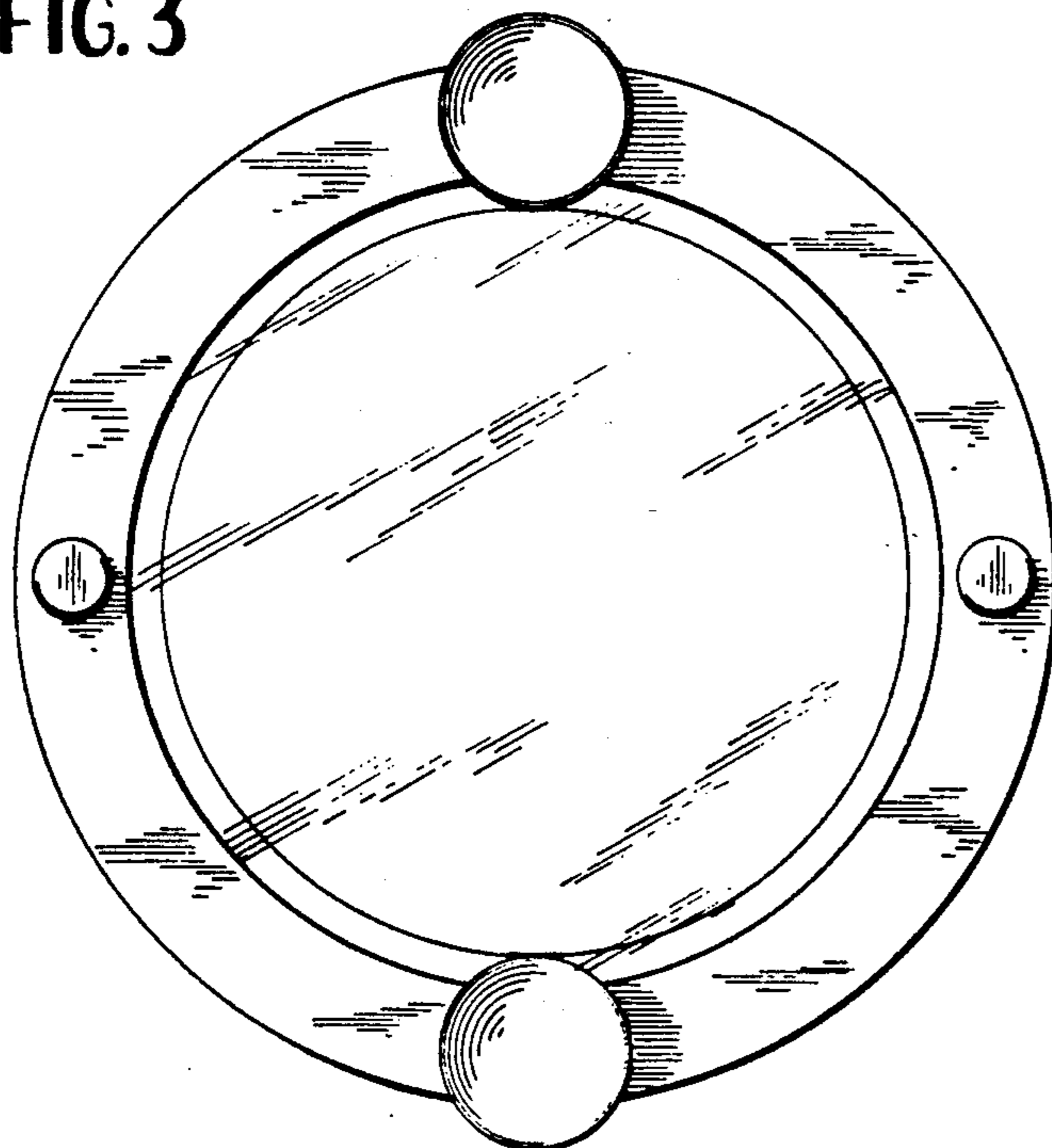


FIG. 4

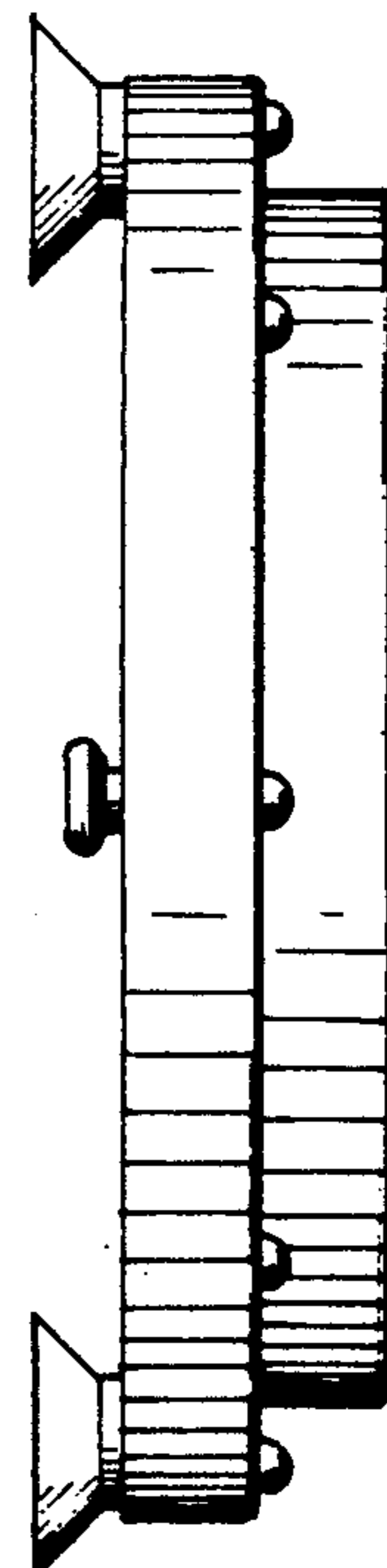


FIG. 5

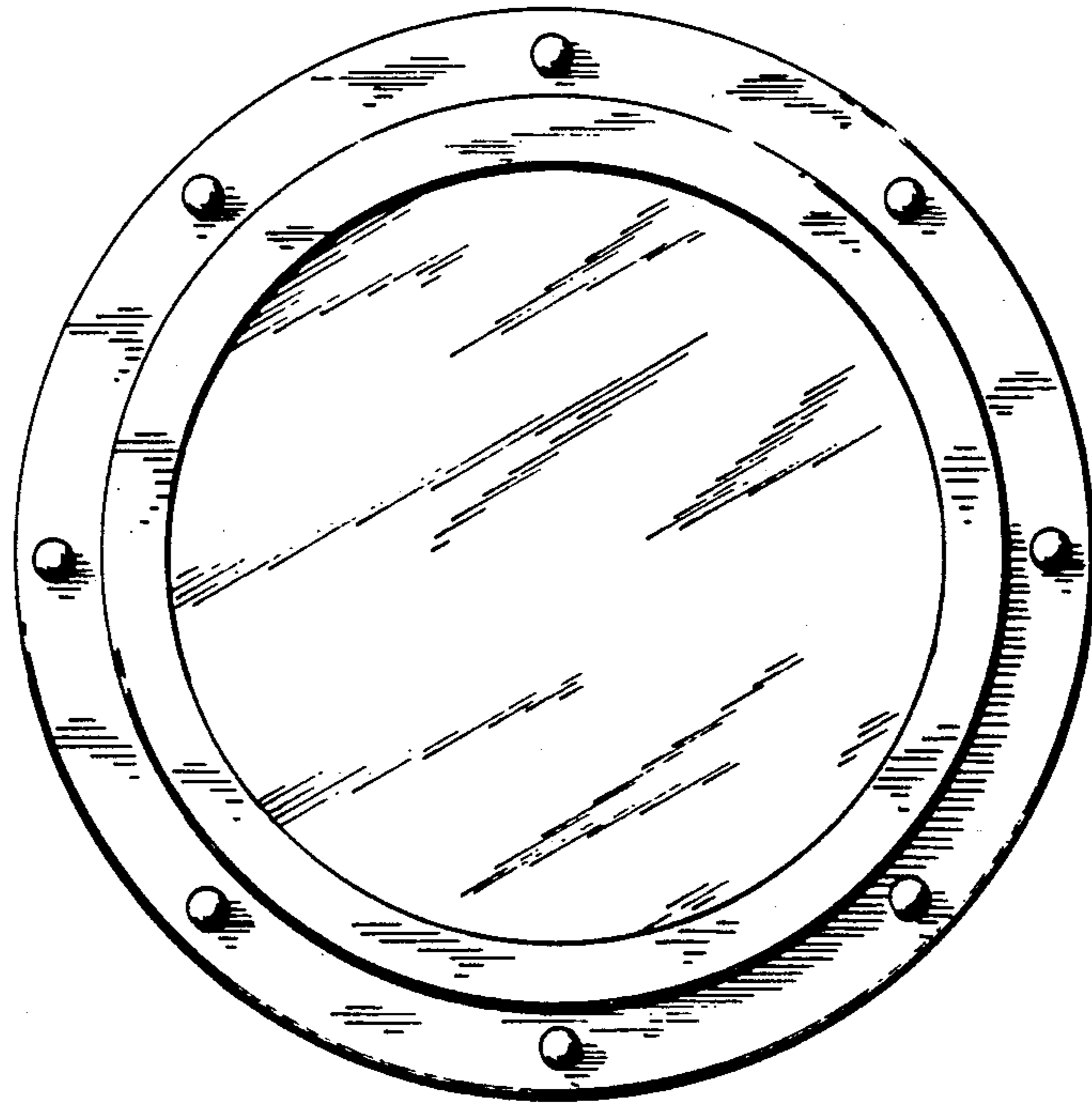


FIG. 6

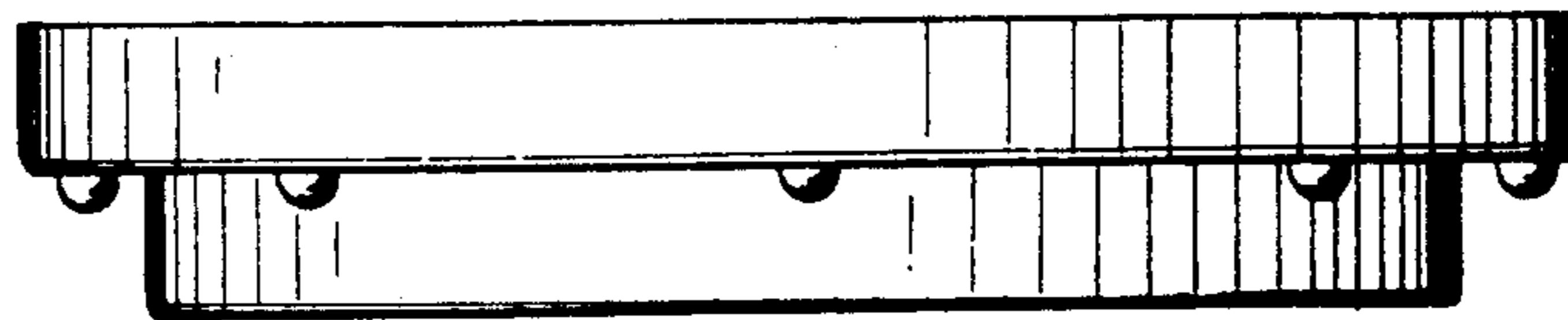


FIG. 7

