



US00D328909S

United States Patent [19]

Sakurai

[11] Patent Number: **Des. 328,909**

[45] Date of Patent: **** Aug. 25, 1992**

[54] **MAGNIFYING DEVICE**

[76] Inventor: **Jun Sakurai**, 13-27-313,
Kusukoki-Cho, Ashiya City,
Hyogo-Ken 659, Japan

[**] Term: **14 Years**

[21] Appl. No.: **435,579**

[22] Filed: **Nov. 13, 1989**

[52] U.S. Cl. **D16/132**

[58] Field of Search **D16/132, 135; 359/445,
359/494, 647, 806**

4,076,391 2/1978 Teiser et al. 350/241
4,099,851 7/1978 Rethore 350/246
4,549,785 10/1985 Vitrac 350/250

Primary Examiner—Wallace R. Burke

Assistant Examiner—H. Baynham

[57] **CLAIM**

The ornamental design for a magnifying device, as shown and described.

DESCRIPTION

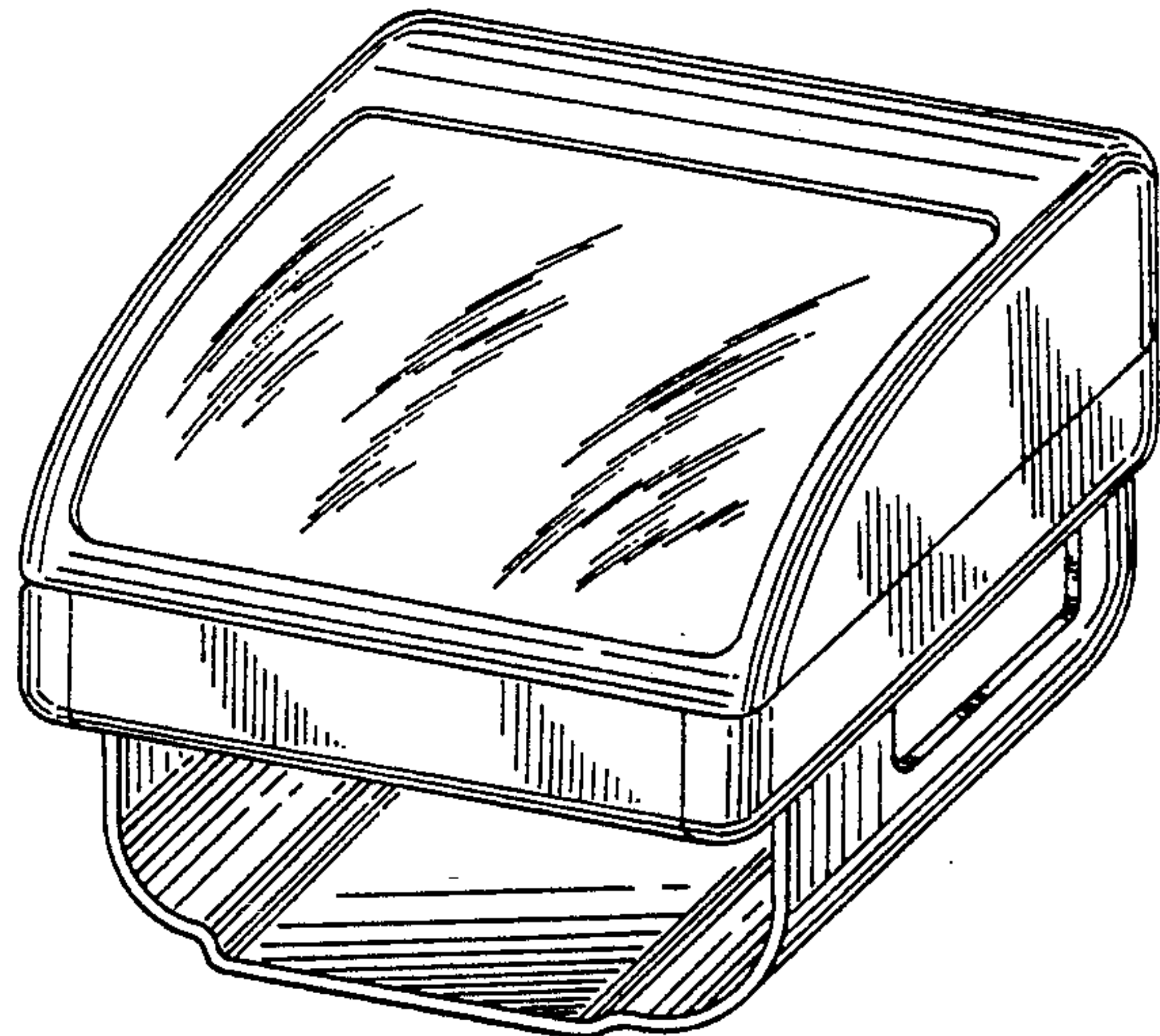
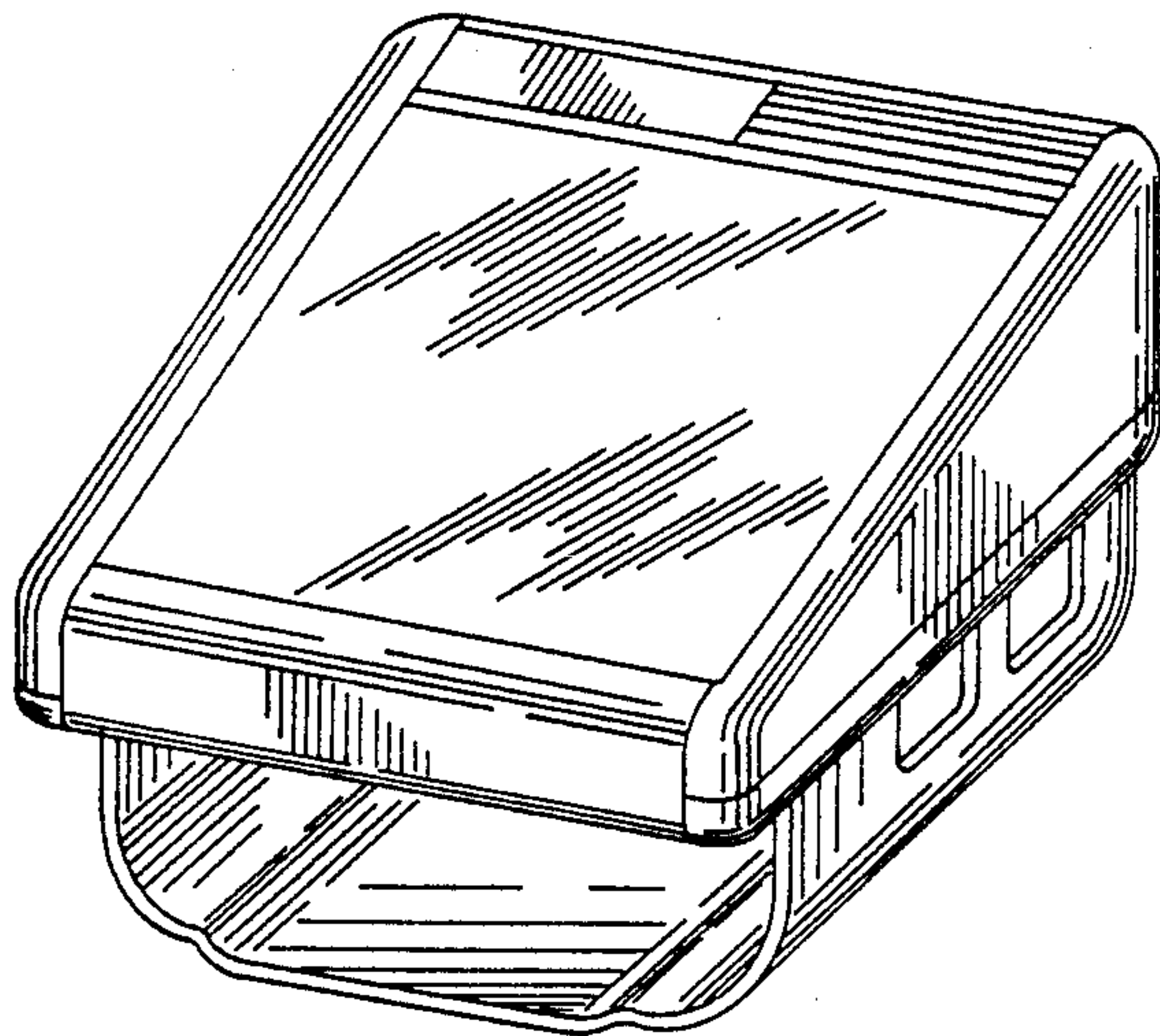
FIG. 1 is a perspective view of a magnifying device showing my new design;
FIG. 2 is a side elevational view thereof;
FIG. 3 is a front elevational view thereof;
FIG. 4 is a top plan view thereof;
FIG. 5 is a rear elevational view thereof;
FIG. 6 is a bottom plan view thereof;
FIG. 7 is an opposite side elevational view thereof; and,
FIG. 8 is a perspective view of a second embodiment of the design shown in FIG. 1.

[56]

References Cited

U.S. PATENT DOCUMENTS

D. 138,022	6/1944	Stoltz	D16/135
2,533,628	12/1950	Rosenberg	359/806 X
2,716,918	9/1955	Miles	350/239
3,748,765	7/1973	Bass et al.	40/367
3,804,504	4/1974	Scott	358/254
4,030,814	6/1977	Clifton et al.	350/239



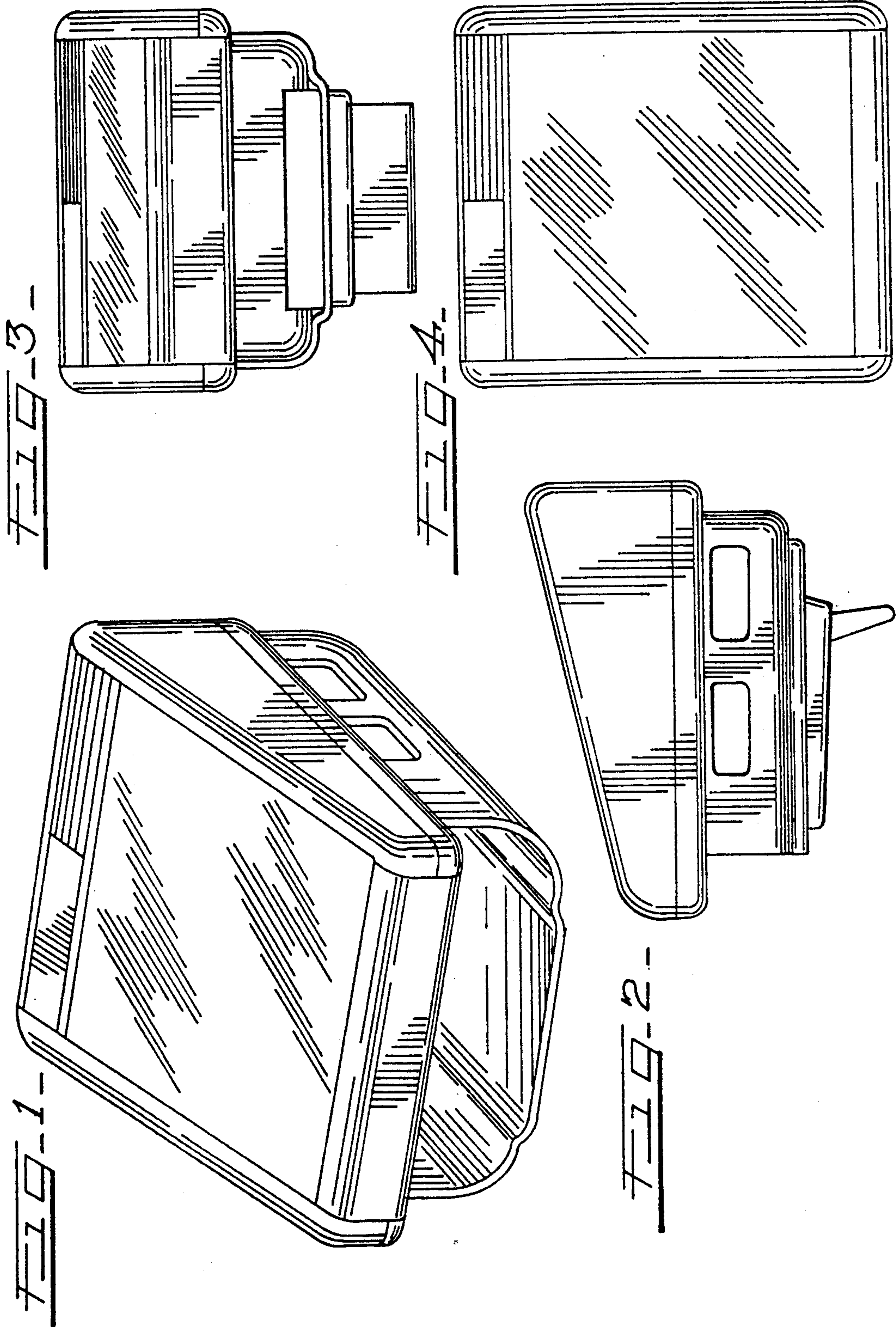


FIG-7-

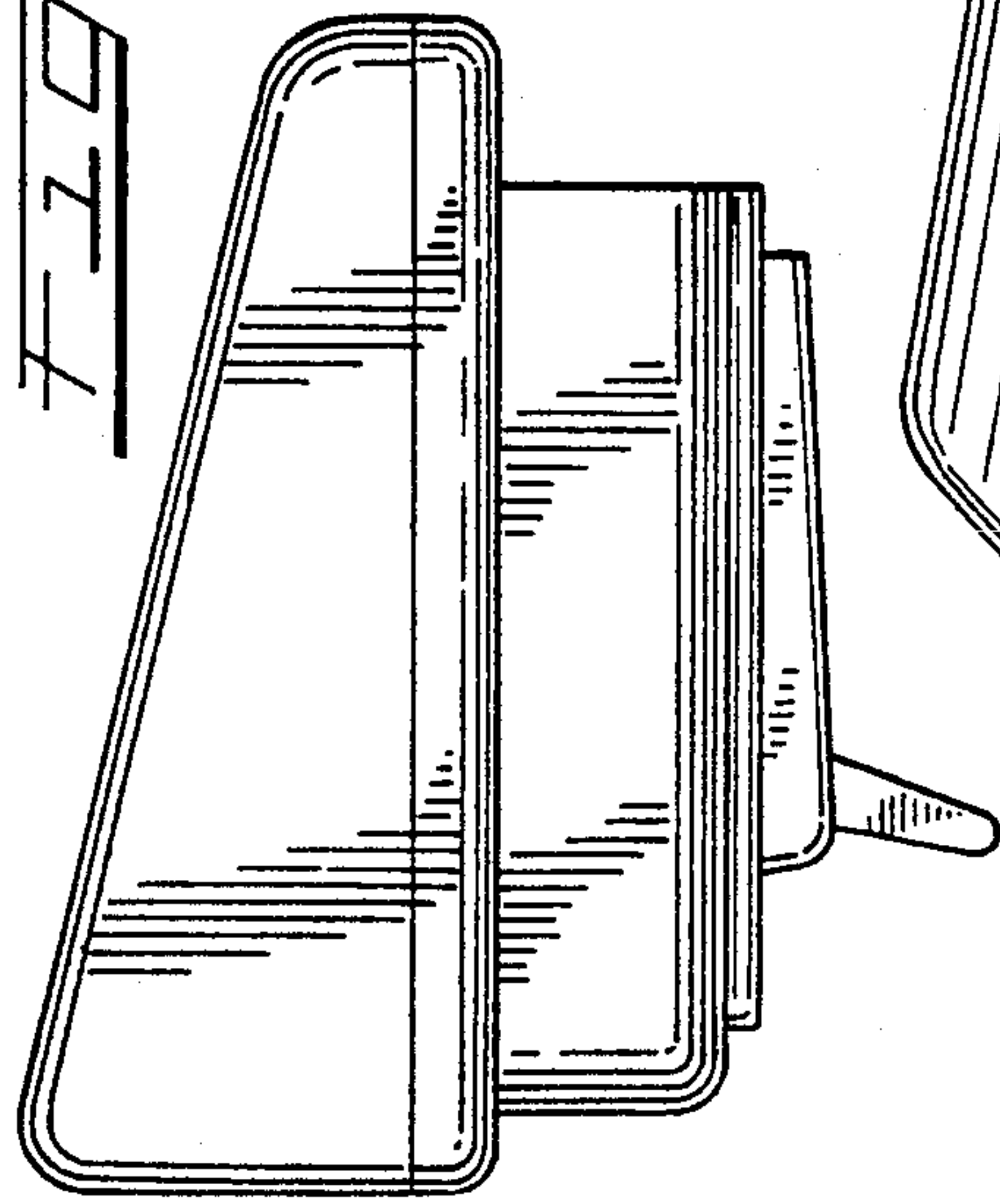


FIG-8-

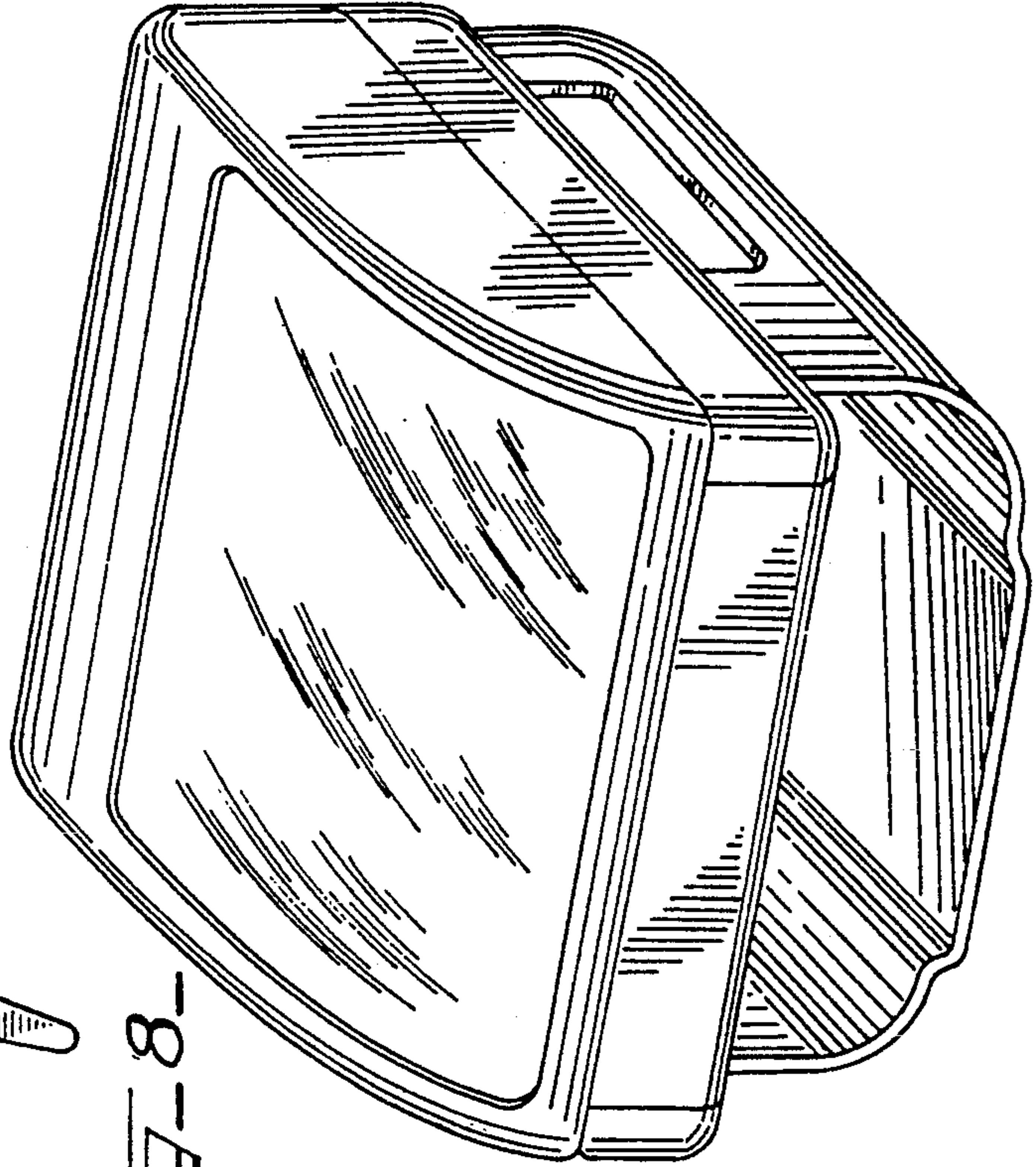


FIG-5-

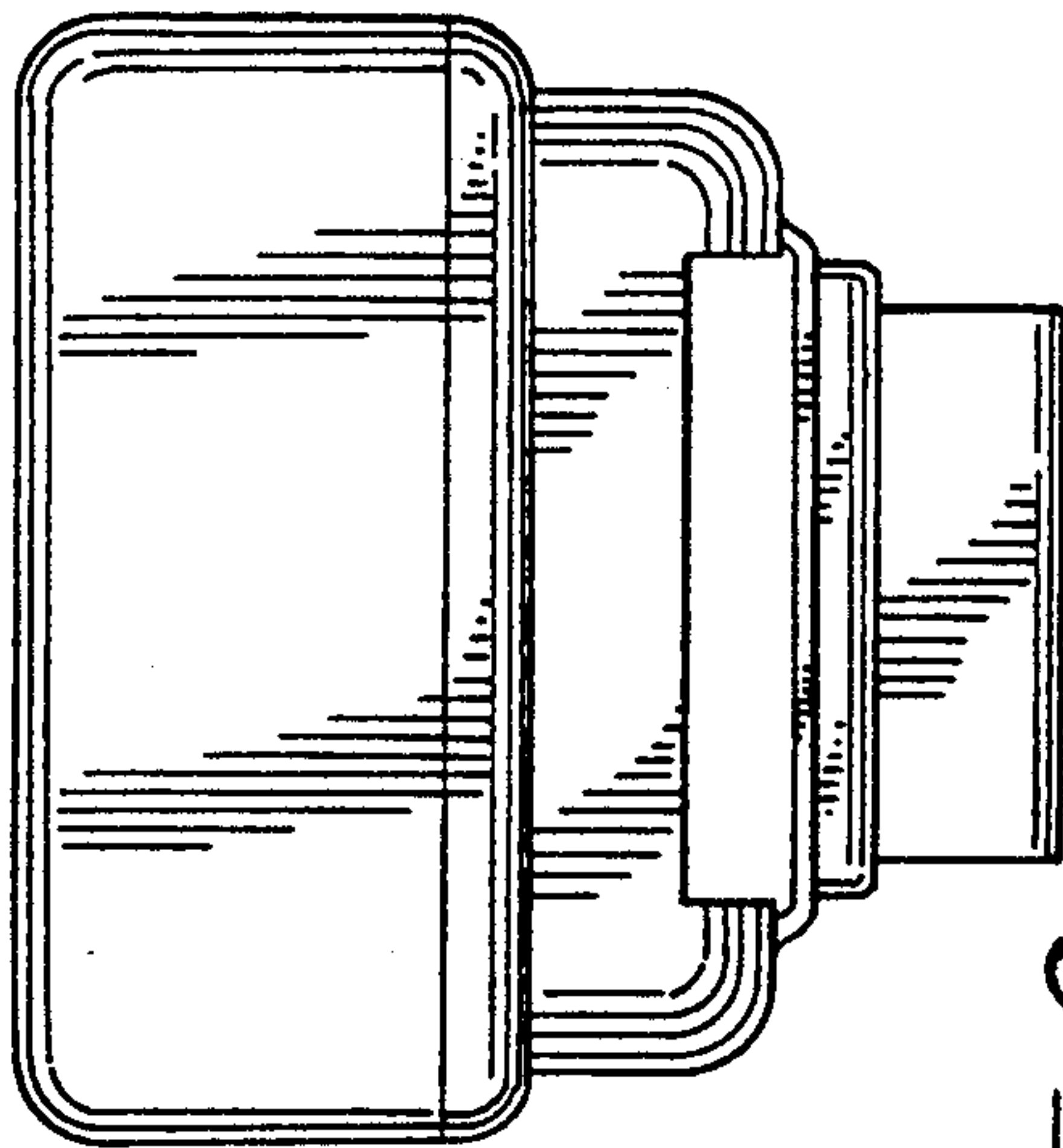


FIG-6-

