



US00D328906S

United States Patent [19]

[11] Patent Number: **Des. 328,906**

MacDonald et al.

[45] Date of Patent: **** Aug. 25, 1992**

[54] **REAMING TOOL**

[75] Inventors: **Ian R. MacDonald; Ian G. MacDonald; Cameron J. MacDonald,**
all of Mount Tamborine, Australia

[73] Assignee: **Cenefill Pty Ltd, Australia**

[**] Term: **14 Years**

[21] Appl. No.: **508,408**

[22] Filed: **Apr. 13, 1990**

[30] **Foreign Application Priority Data**

Oct. 13, 1989 [AU] Australia 3354/89
[52] U.S. Cl. **D15/139**
[58] Field of Search D15/139, 199; 408/200,
408/201, 211, 223, 224, 227, 225, 230, 233, 153,
156, 181, 185, 713; 409/234; 433/102, 165, 224,
72

[56] **References Cited**

U.S. PATENT DOCUMENTS

D. 306,866 3/1990 Phillips, Sr. D15/139
1,424,268 8/1922 Vedgoe 148/240
3,841,785 10/1974 Werther 408/714 X
4,040,765 8/1977 Viz 408/239 A

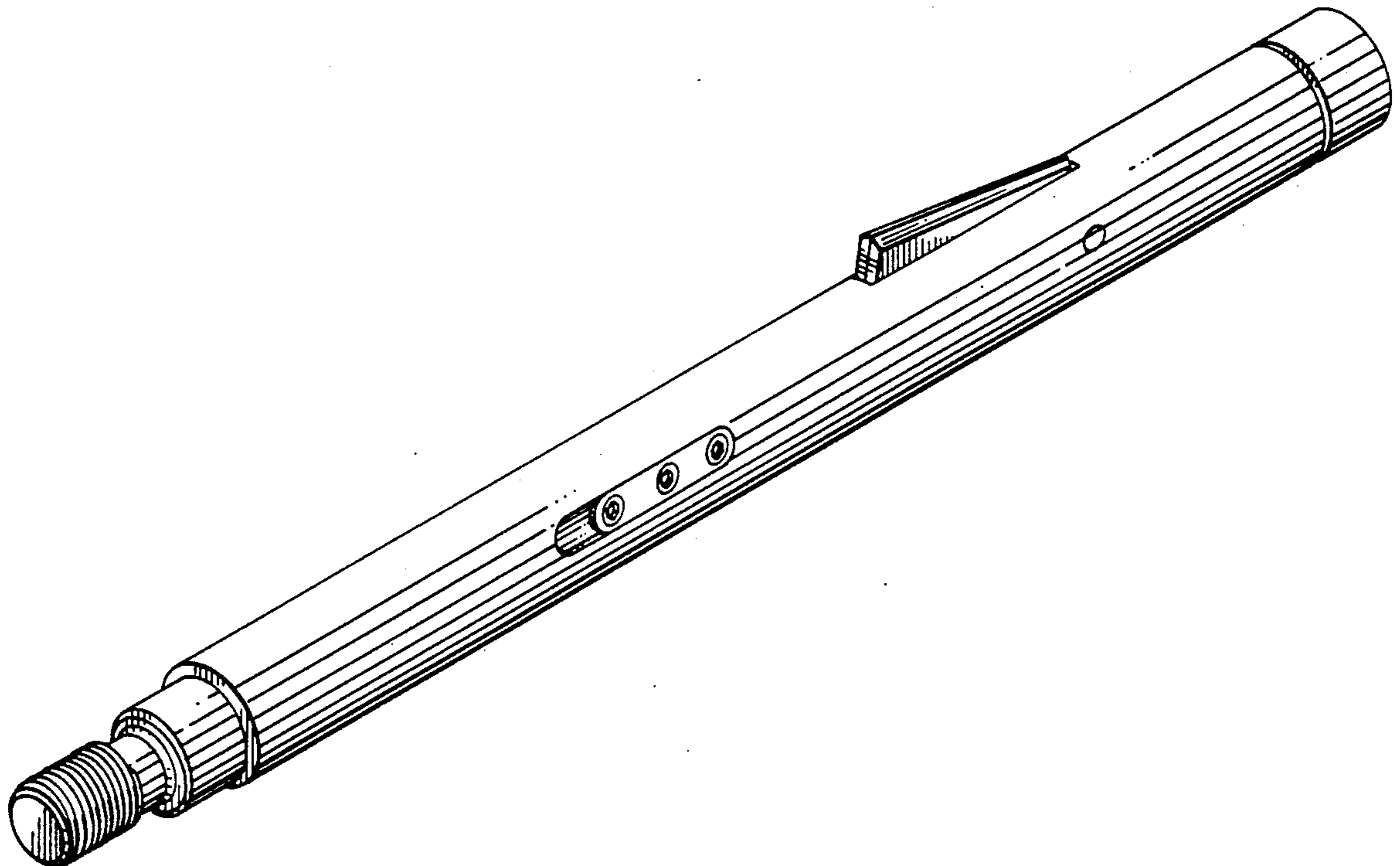
Primary Examiner—Donald P. Walsh
Assistant Examiner—Antoine D. Davis
Attorney, Agent, or Firm—Larson and Taylor

[57] **CLAIM**

The ornamental design of a reaming tool, as shown and described.

DESCRIPTION

FIG. 1 is a top and front perspective view of a reaming tool showing our new design; and, FIG. 2 is a bottom and rear perspective view thereof.



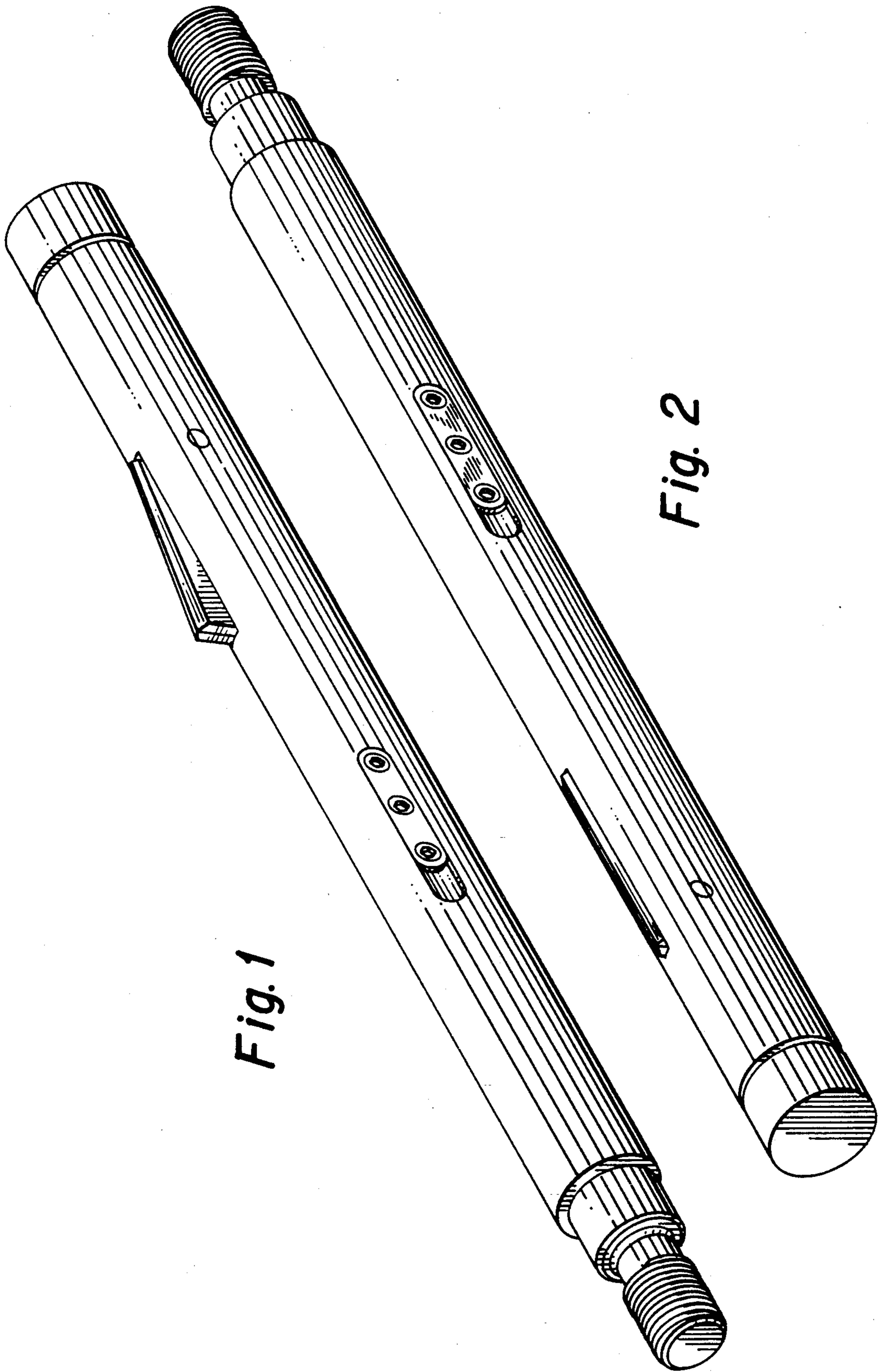


Fig. 1

Fig. 2