



US00D328904S

United States Patent [19]

[11] Patent Number: **Des. 328,904**

Burns et al.

[45] Date of Patent: **** Aug. 25, 1992**

[54] **POWER MODULE FOR WOODWORKING TOOLS**

4,440,204 4/1984 Bartlett 29/560 X
4,972,885 11/1990 Leglec et al. 408/20 X

[75] Inventors: **Rickey D. Burns, Atlanta; David S. Rowley, Smyrna, both of Ga.**

Primary Examiner—Donald P. Walsh
Assistant Examiner—Antoine D. Davis
Attorney, Agent, or Firm—Biebel & French

[73] Assignee: **Shopsmith, Inc., Dayton, Ohio**

[57] **CLAIM**

[**] Term: **14 Years**

The ornamental design for a power module for wood-working tools, as shown and described.

[21] Appl. No.: **389,072**

DESCRIPTION

[22] Filed: **Aug. 2, 1989**

[52] U.S. Cl. **D15/130; D15/138**

[58] Field of Search **D15/138; 29/560; 144/1 R, 10, 13, 35 R; 408/20**

FIG. 1 is a top, front and left side perspective view of a power module for woodworking tools showing our new design;

FIG. 2 is a top plan view;

FIG. 3 is a bottom plan view;

FIG. 4 is a left side elevational view;

FIG. 5 is a right side elevational view;

FIG. 6 is a front elevational view; and,

FIG. 7 is a rear elevational view thereof.

[56] **References Cited**

U.S. PATENT DOCUMENTS

3,011,532 12/1961 Williams 408/20 X
4,427,042 1/1984 Mitchell et al. 144/1 R

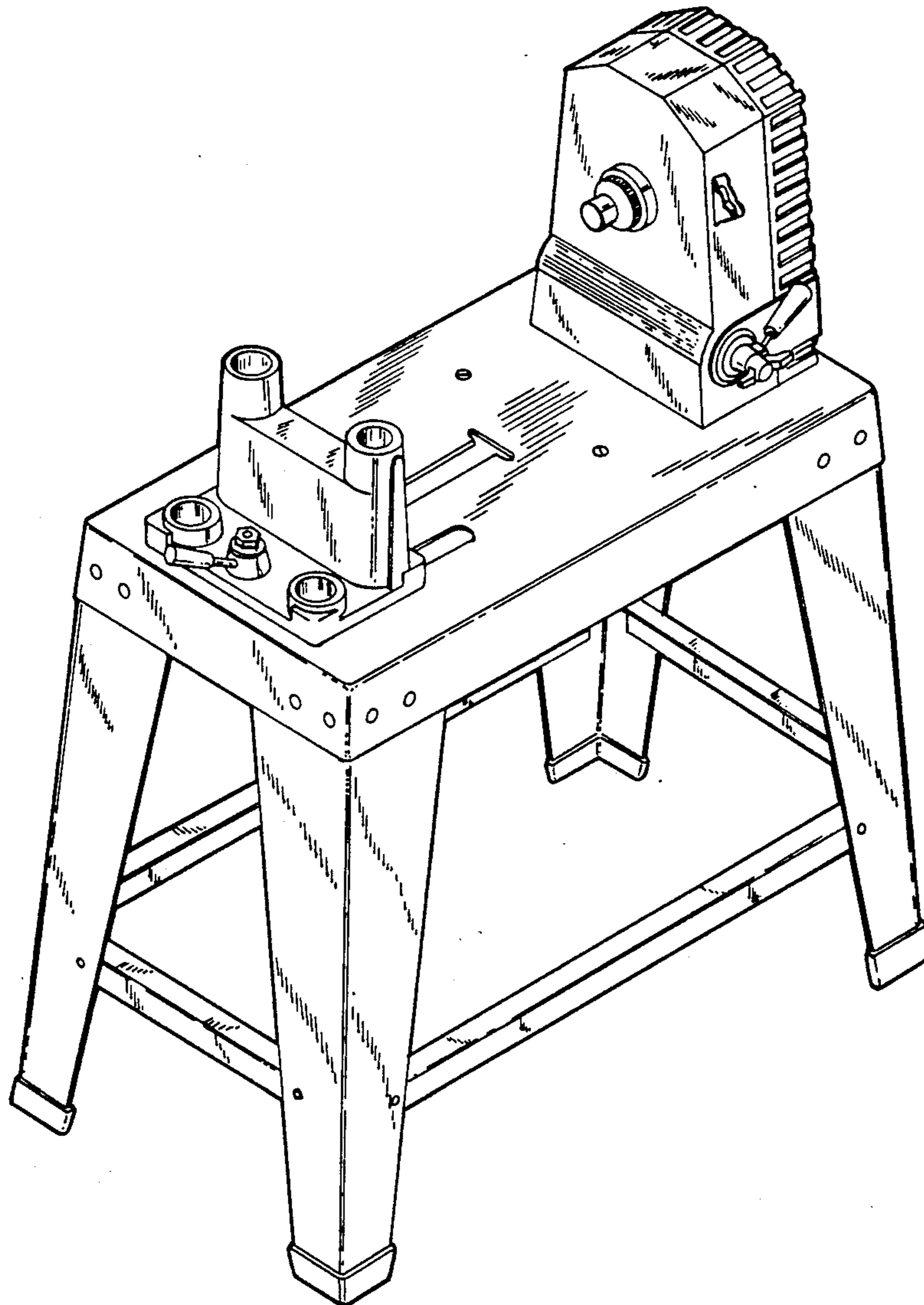


FIG - 1

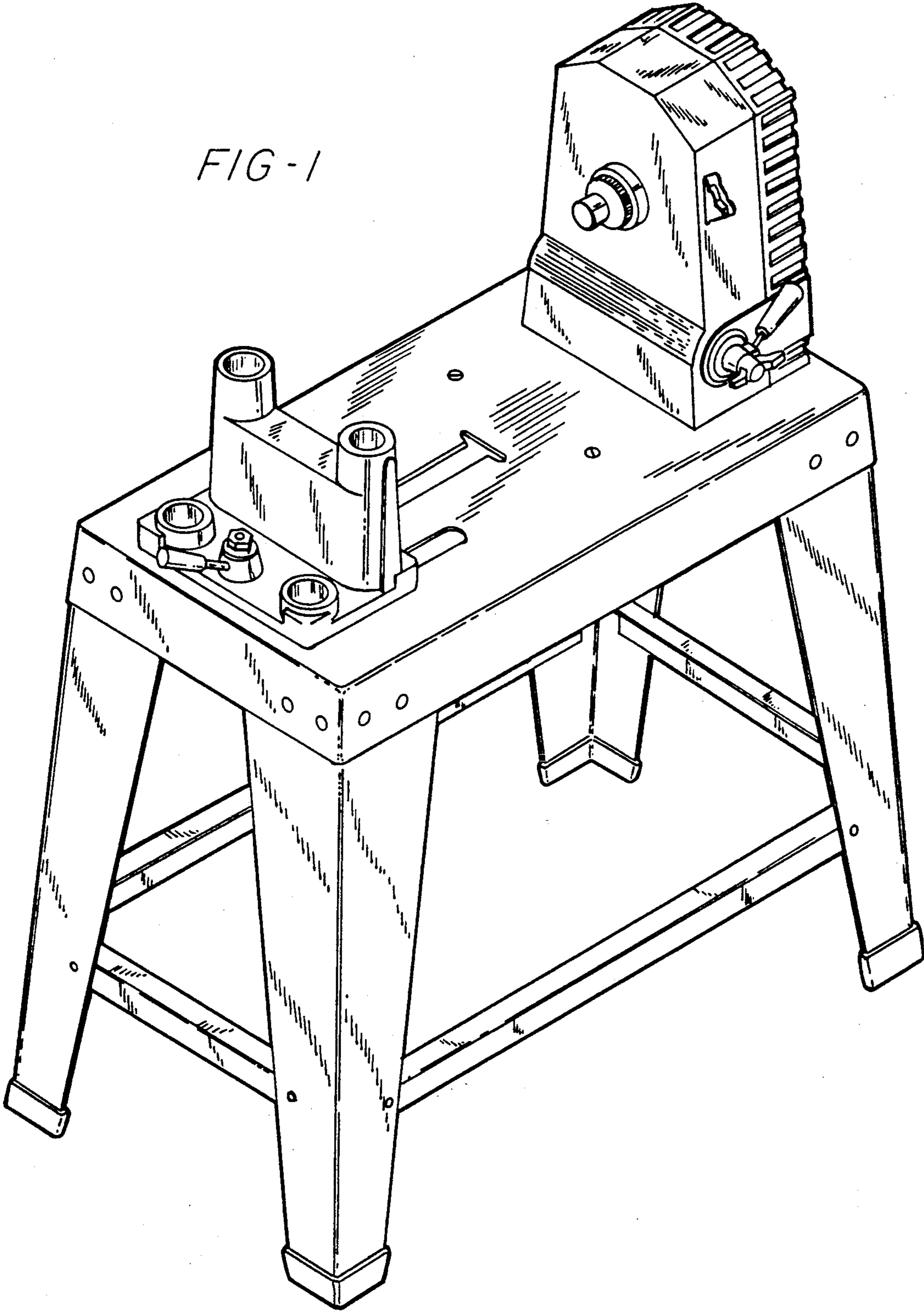


FIG-2

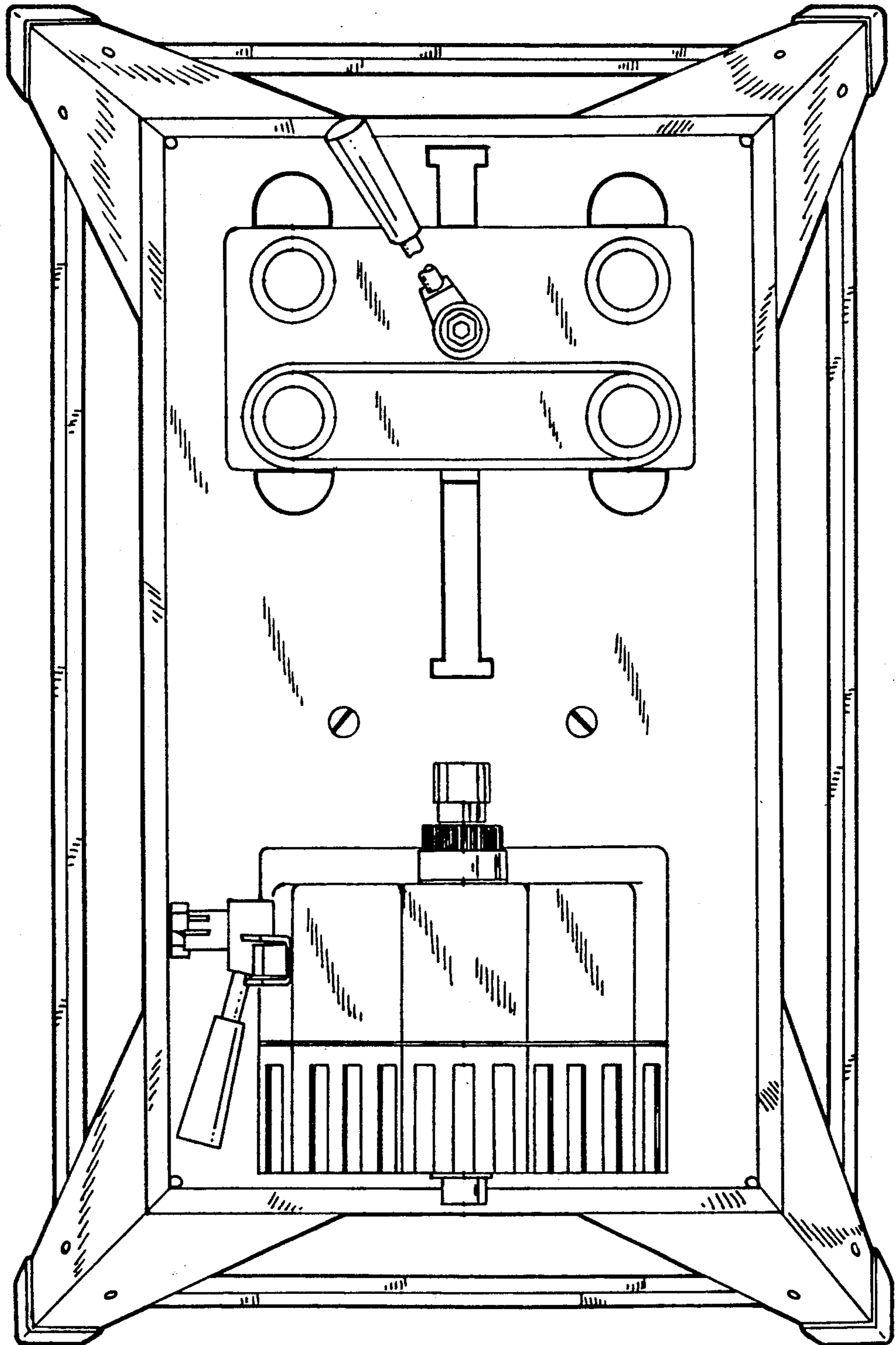


FIG -3

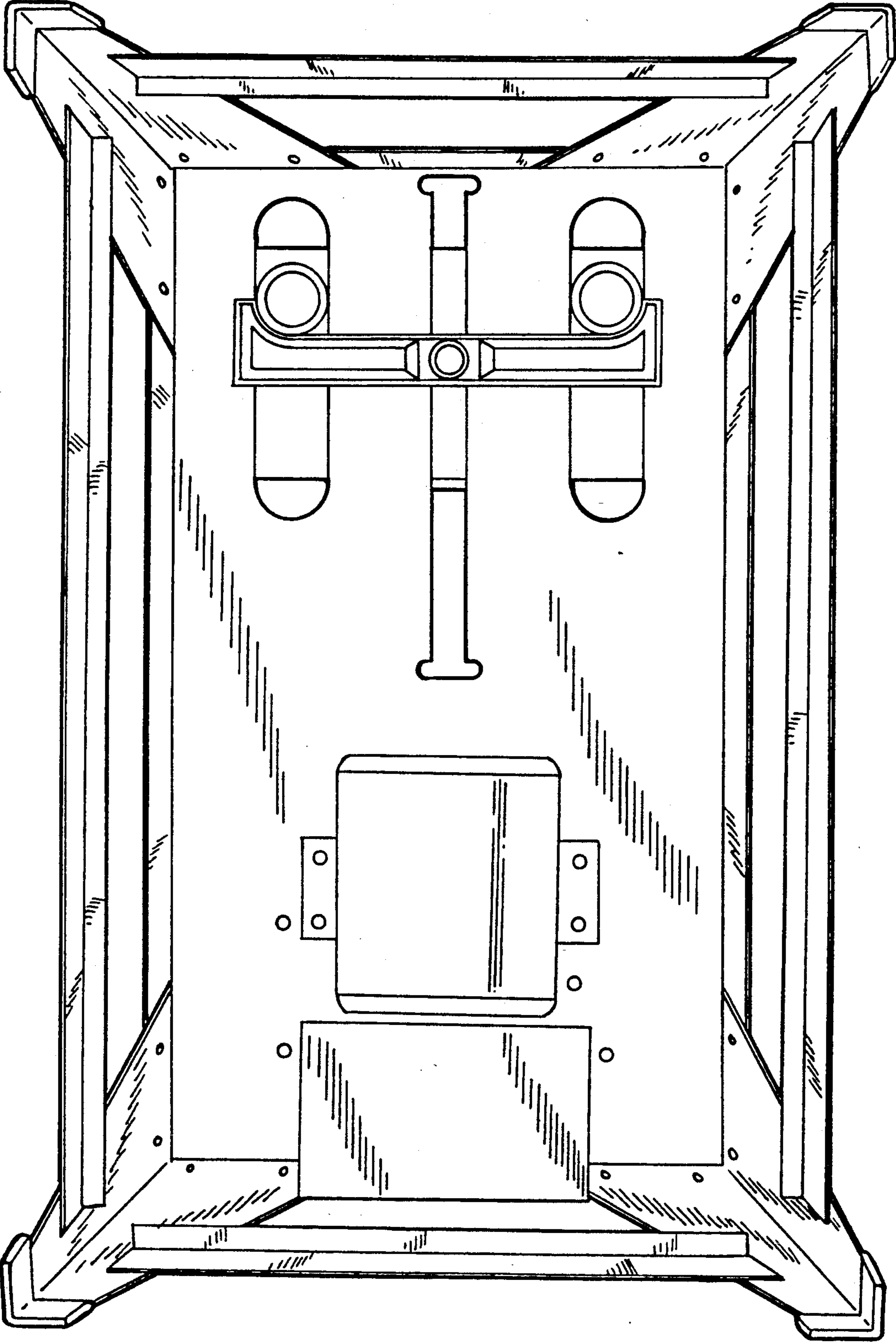


FIG-4

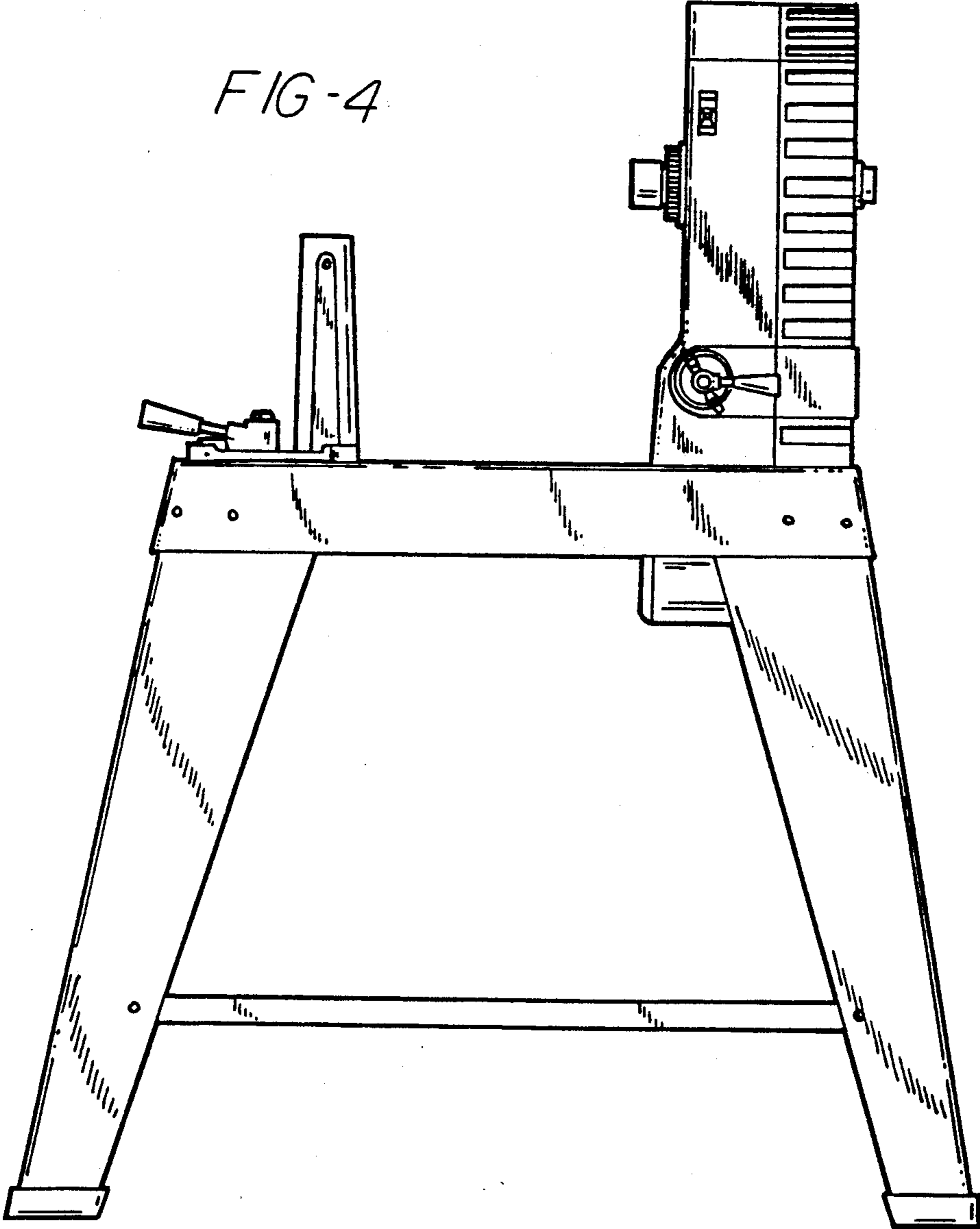


FIG-5

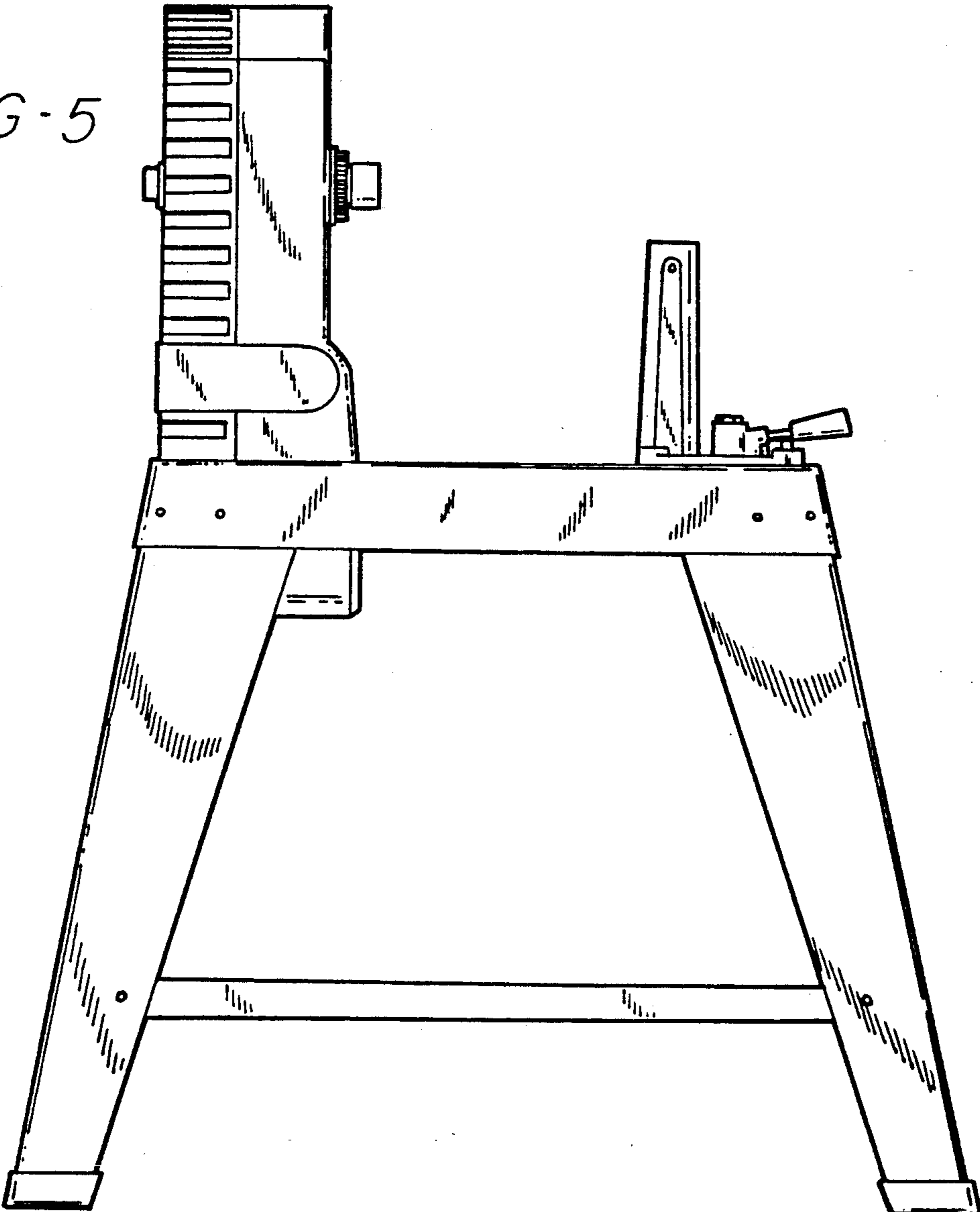


FIG-6

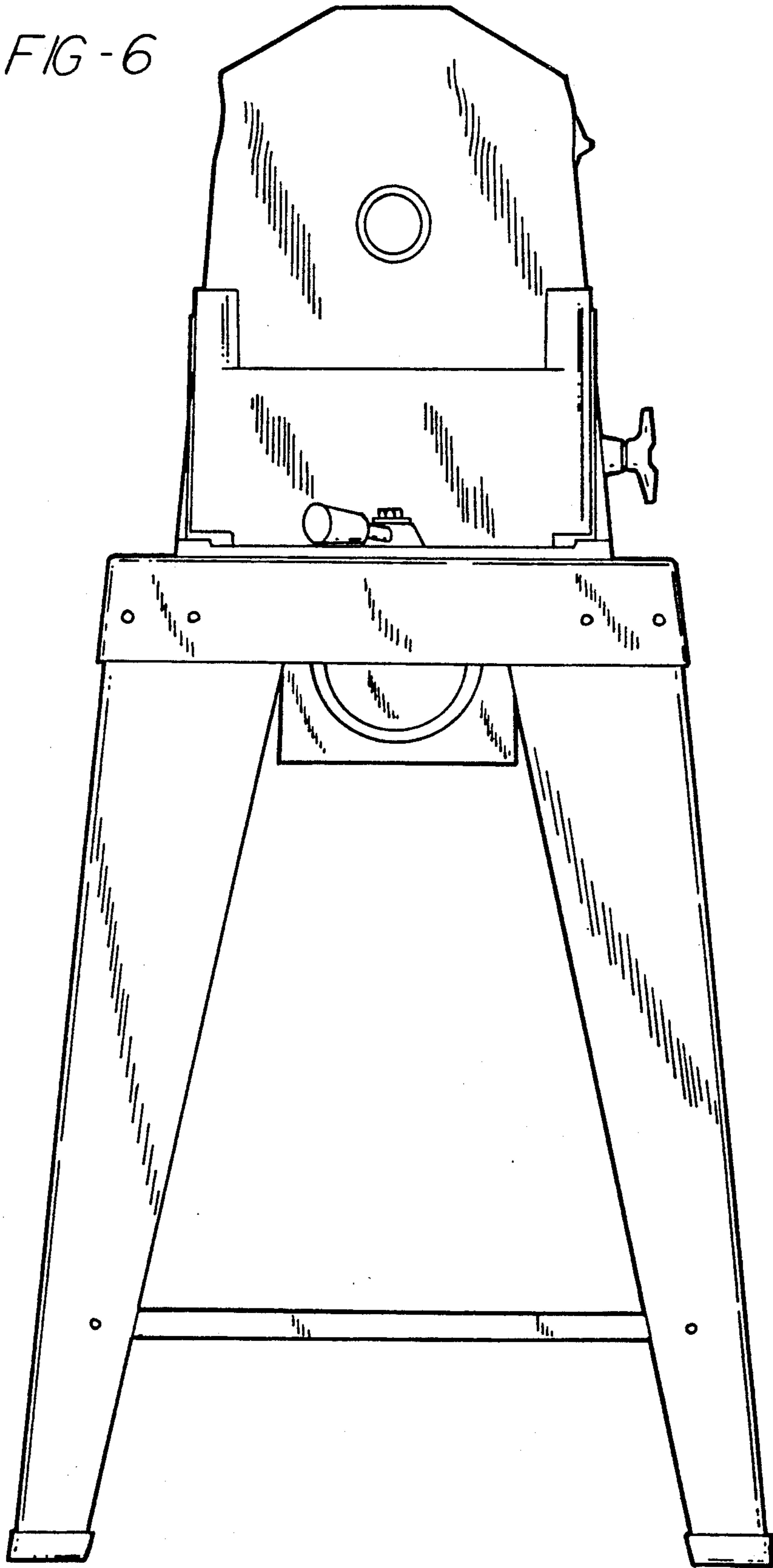


FIG-7

