



US00D328890S

# United States Patent [19]

[11] Patent Number: **Des. 328,890**

Tomikawa et al.

[45] Date of Patent: **\*\* Aug. 25, 1992**

## [54] ELECTRICAL CONNECTOR

[75] Inventors: **Arifumi Tomikawa; Hironori Ishizuka; Wataru Maruoka**, all of Kanagawa, Japan

[73] Assignee: **Oki Densen Kabushiki Kaisha**, Japan

[\*\*] Term: **14 Years**

[21] Appl. No.: **635,322**

[22] Filed: **Dec. 28, 1990**

### [30] Foreign Application Priority Data

Jul. 4, 1990 [JP] Japan ..... 2-71303[U]

[52] U.S. Cl. .... **D13/147**

[58] Field of Search ..... **D13/133, 146, 147; 439/282, 292, 296, 322, 345, 347, 350, 353, 354, 357, 358, 660, 676**

### [56] References Cited

#### U.S. PATENT DOCUMENTS

D. 281,416	11/1985	Buscher et al. ....	D13/147
4,405,192	9/1983	Eaby et al. ....	439/358
4,648,665	3/1987	Davis et al. ....	439/350 X
4,941,848	7/1990	Philippson et al. ....	439/676 X
5,041,025	8/1991	Haitmanek ....	439/354 X

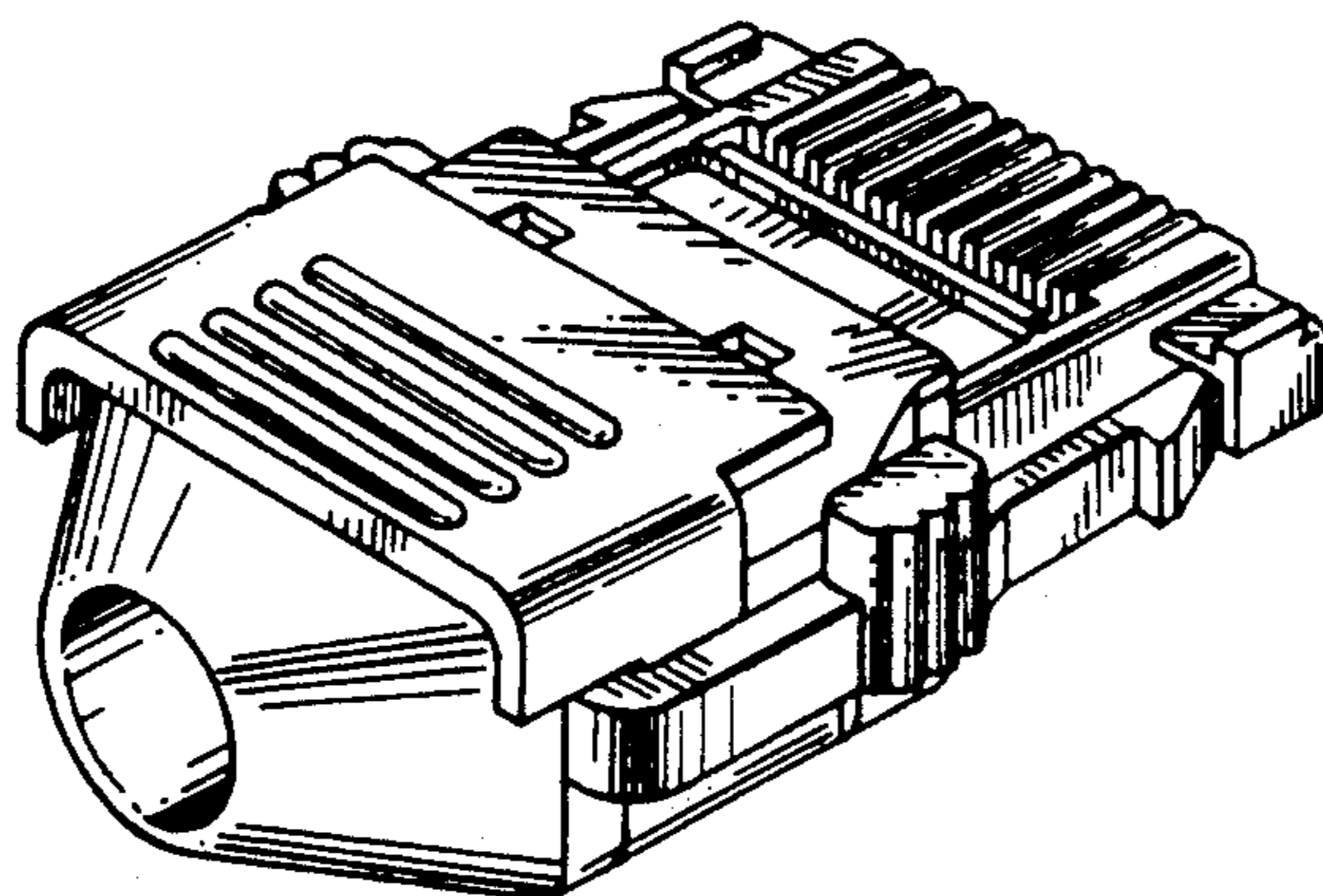
*Primary Examiner*—Wallace R. Burke  
*Assistant Examiner*—Joel Sincavage  
*Attorney, Agent, or Firm*—Ronald P. Kananen

## [57] CLAIM

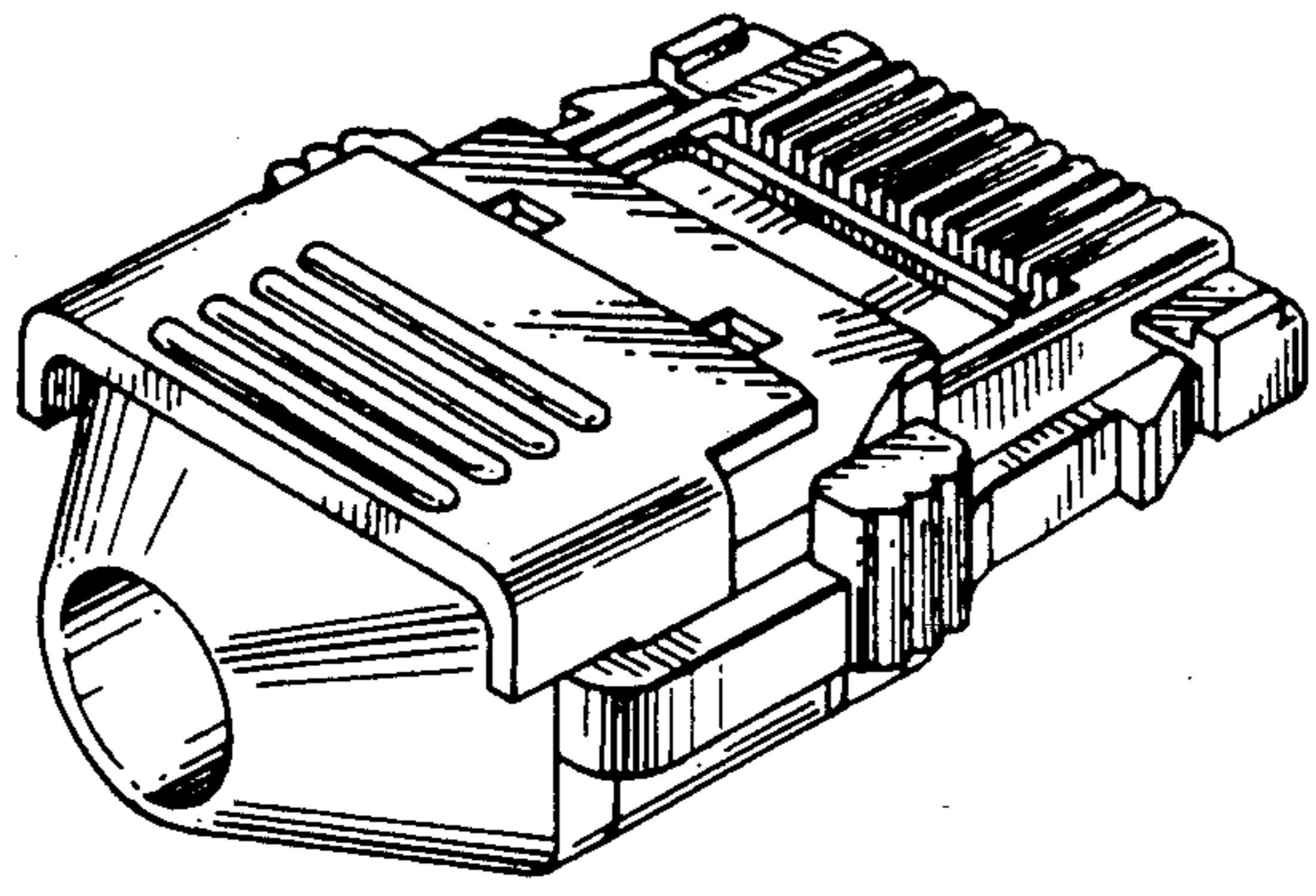
The ornamental design for an electrical connector, as shown and described.

## DESCRIPTION

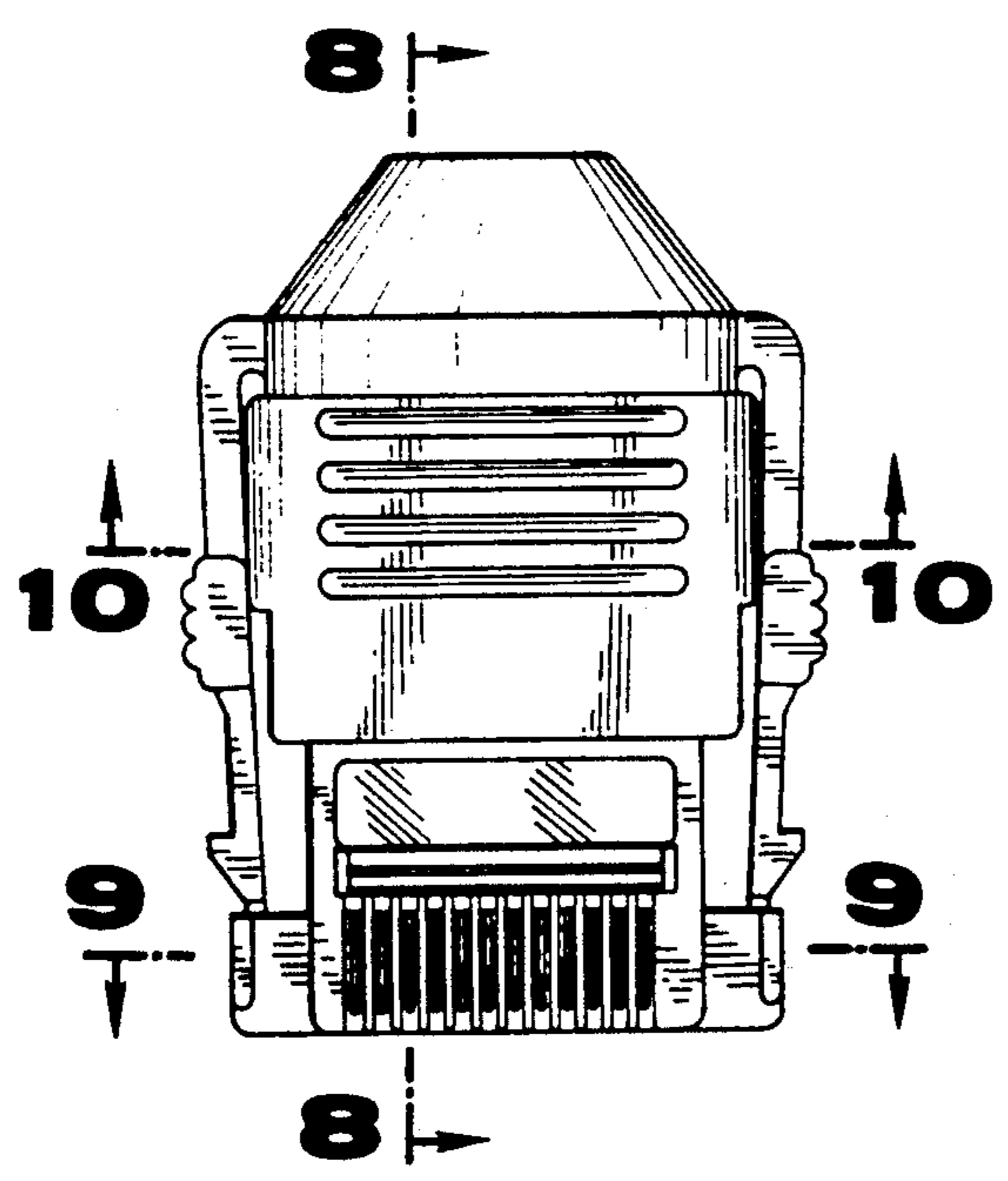
FIG. 1 is a rear and upper left perspective view of an electrical connector showing our new design with the slidable locking element at its extreme rearward position;  
FIG. 2 is a top plan view of the electrical connector with the slidable locking element at its extreme forward position;  
FIG. 3 is a bottom plan view thereof;  
FIG. 4 is a front elevational view thereof;  
FIG. 5 is a rear elevational view thereof;  
FIG. 6 is a left side elevational view thereof;  
FIG. 7 is a right side elevational view thereof;  
FIG. 8 is a cross-sectional view thereof taken along line 8—8 of FIG. 2;  
FIG. 9 is a cross-sectional view thereof taken along line 9—9 of FIG. 2;  
FIG. 10 is a cross-sectional view thereof taken along line 10—10 of FIG. 2; and,  
FIG. 11 is a rear and upper left perspective view of the electrical connector with the slidable locking element at its extreme rearward position shown with its corresponding connector. The broken line showing of the corresponding connector and conductor cable is included for the purpose of illustrating environmental elements only and forms no part of the claimed design.



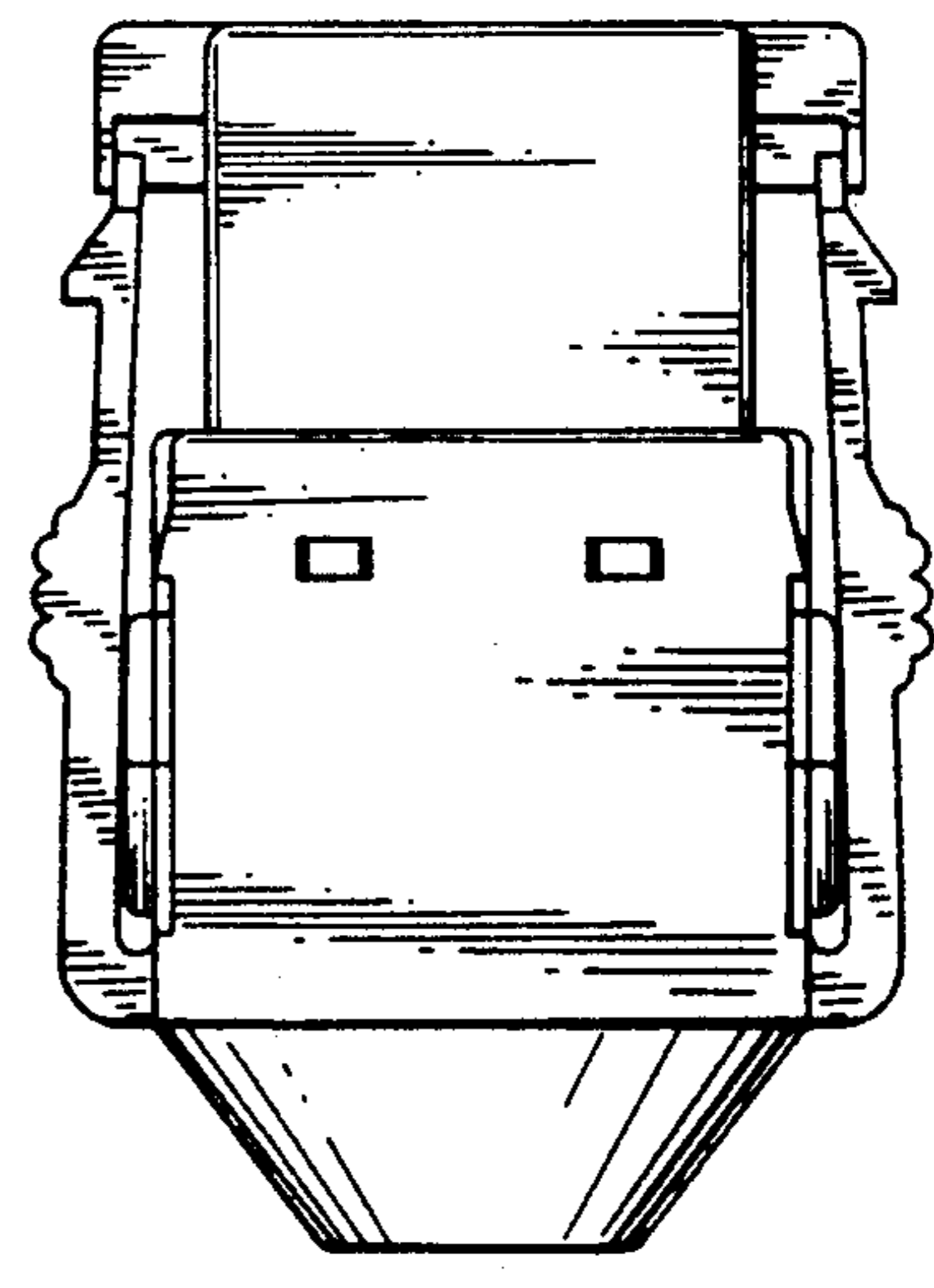
**FIG. 1**



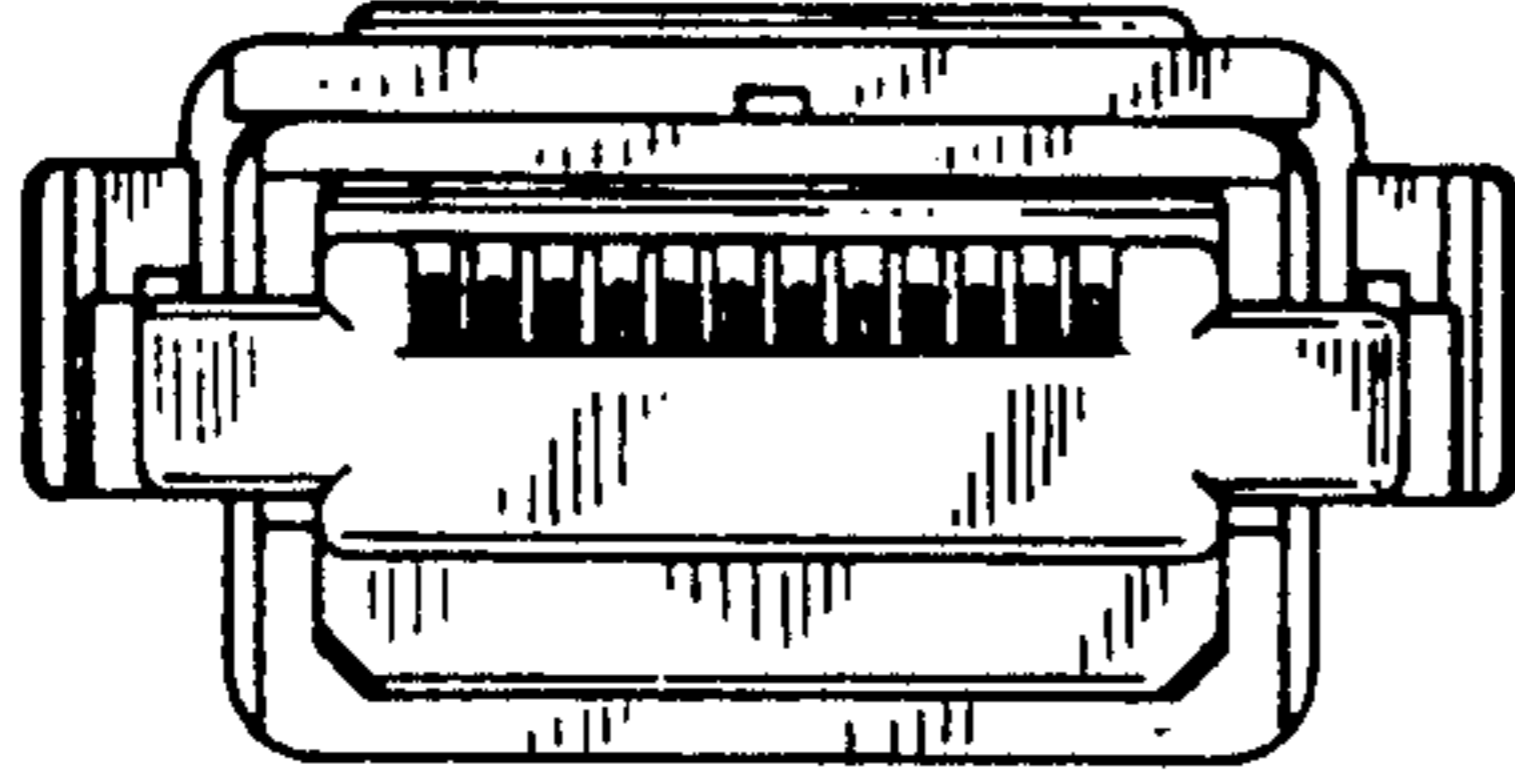
**FIG. 2**



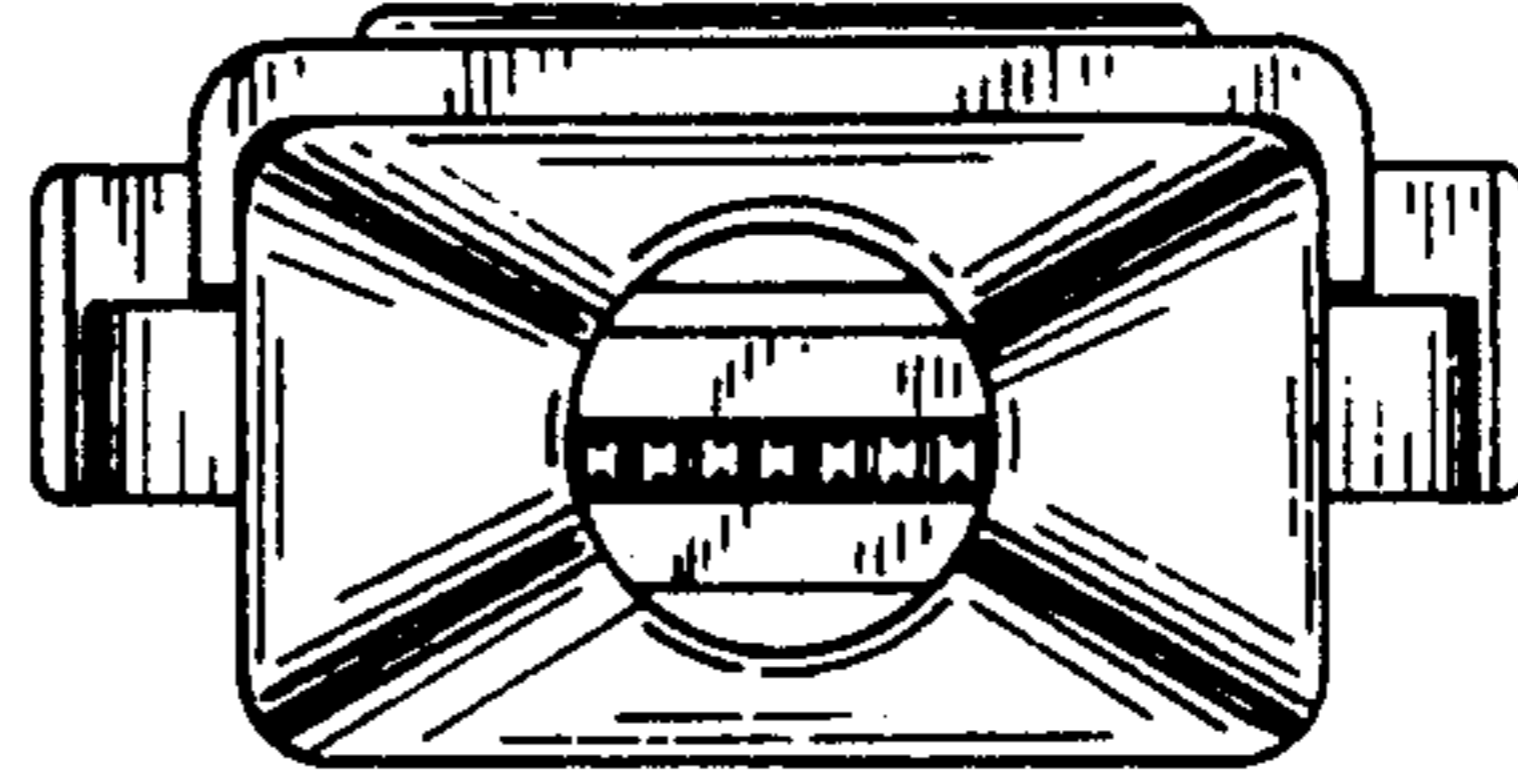
**FIG. 3**



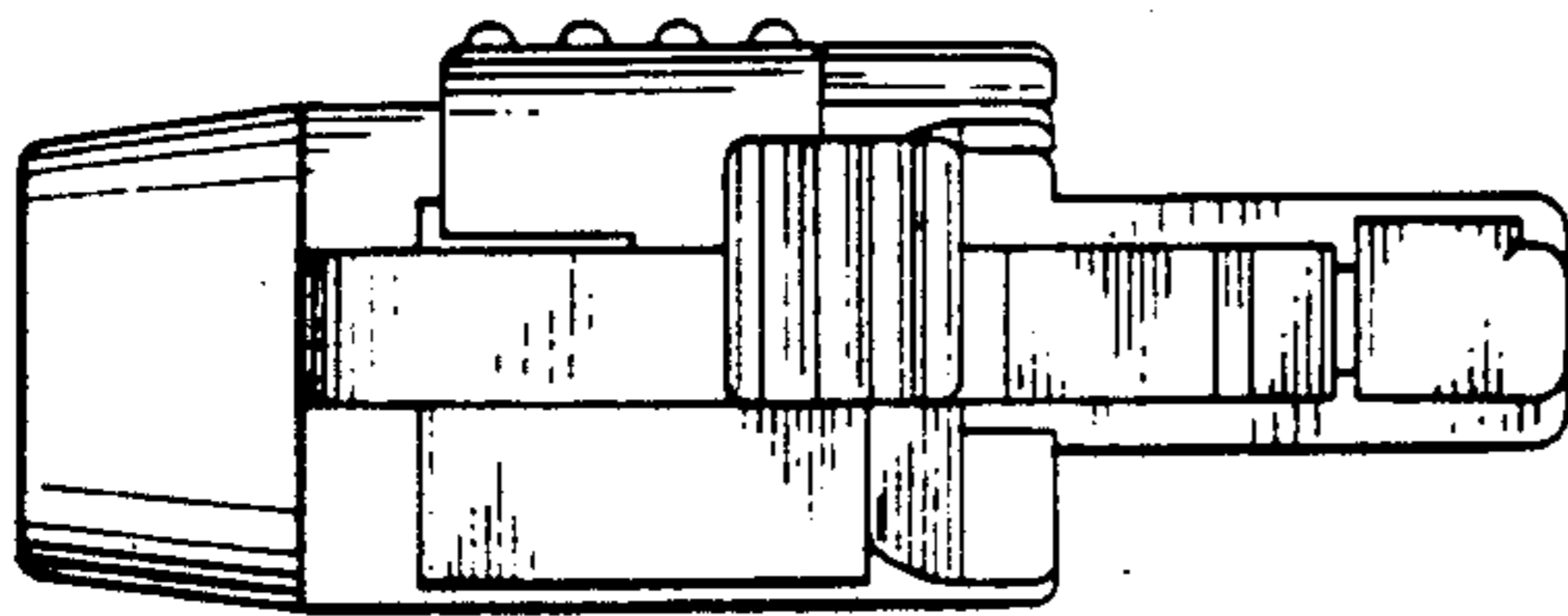
**FIG. 4**



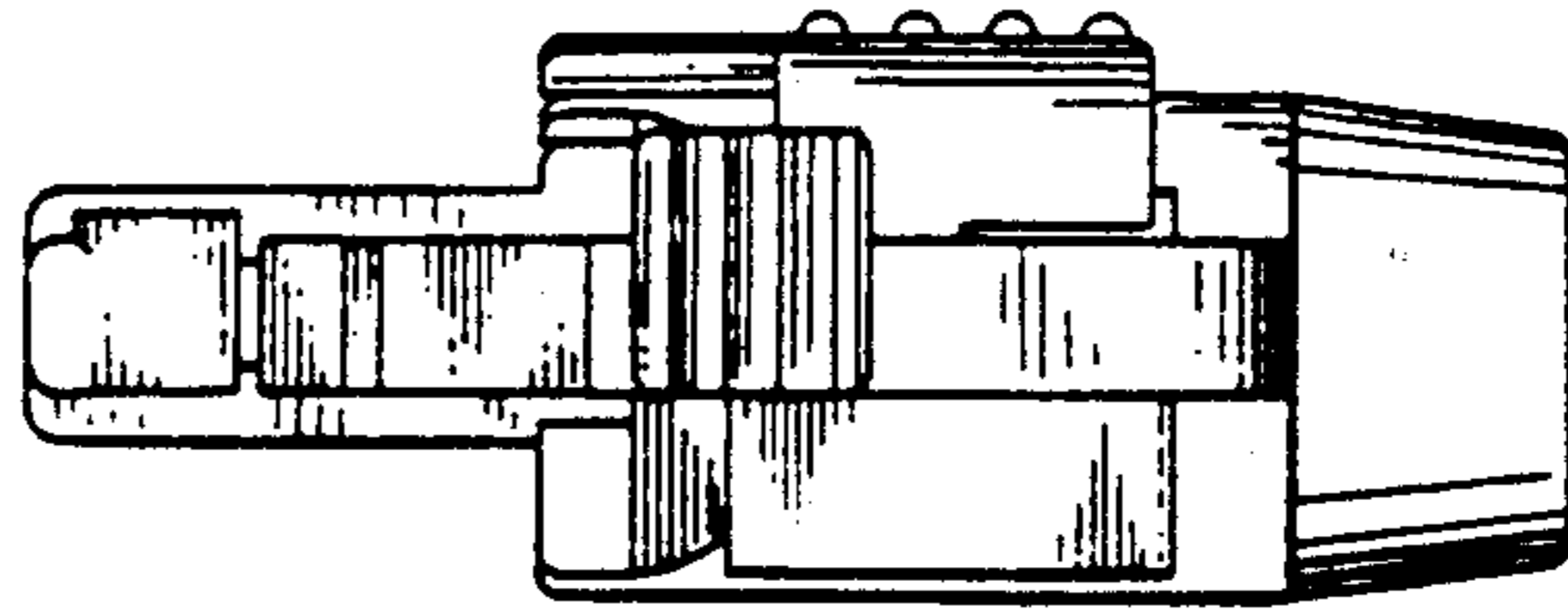
**FIG. 5**



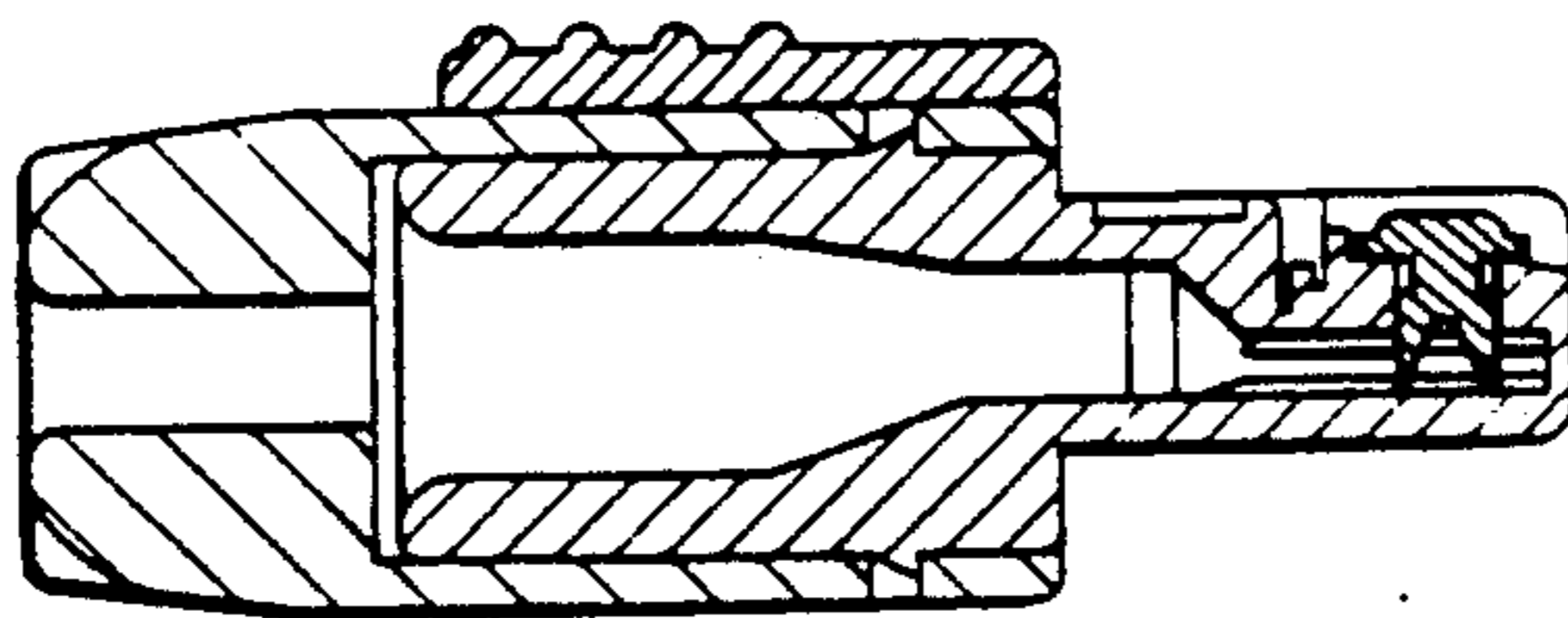
**FIG. 6**



**FIG. 7**



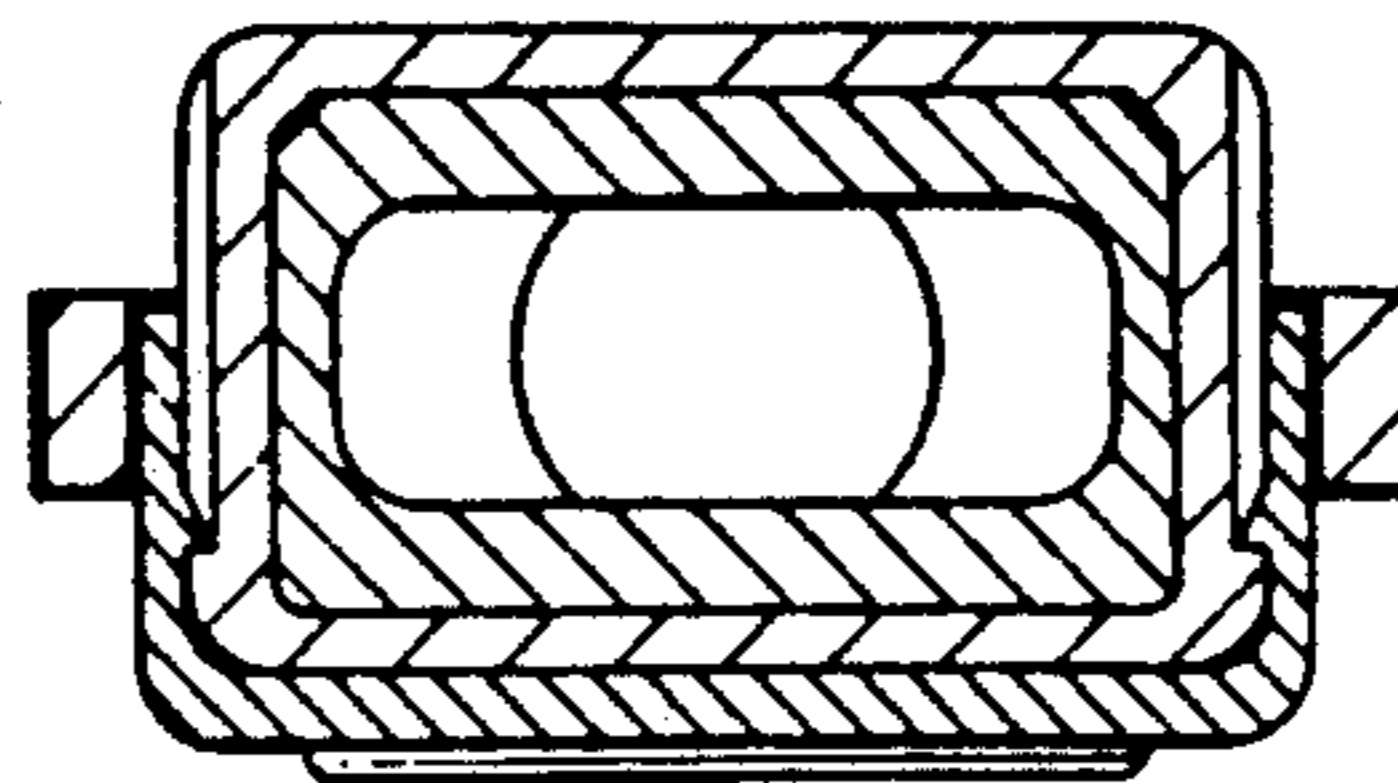
**FIG. 8**



**FIG. 9**



**FIG. 10**



**FIG. 11**

