



US00D328884S

United States Patent [19]

[11] Patent Number: Des. 328,884

Schaller

[45] Date of Patent: ** Aug. 25, 1992

[54] CAR DOOR PROTECTOR

4,810,013 3/1989 Spears 293/128

[76] Inventor: Alan G. Schaller, 3856 35th Ave. SW., Seattle, Wash. 98126

Primary Examiner—James M. Gandy
Attorney, Agent, or Firm—Terry M. Gernstein

[**] Term: 14 Years

[57] CLAIM

[21] Appl. No.: 551,734

The ornamental design for a car door protector, as shown.

[22] Filed: Jul. 12, 1990

[52] U.S. Cl. D12/167

[58] Field of Search D12/167, 190; 280/770; 293/126, 128

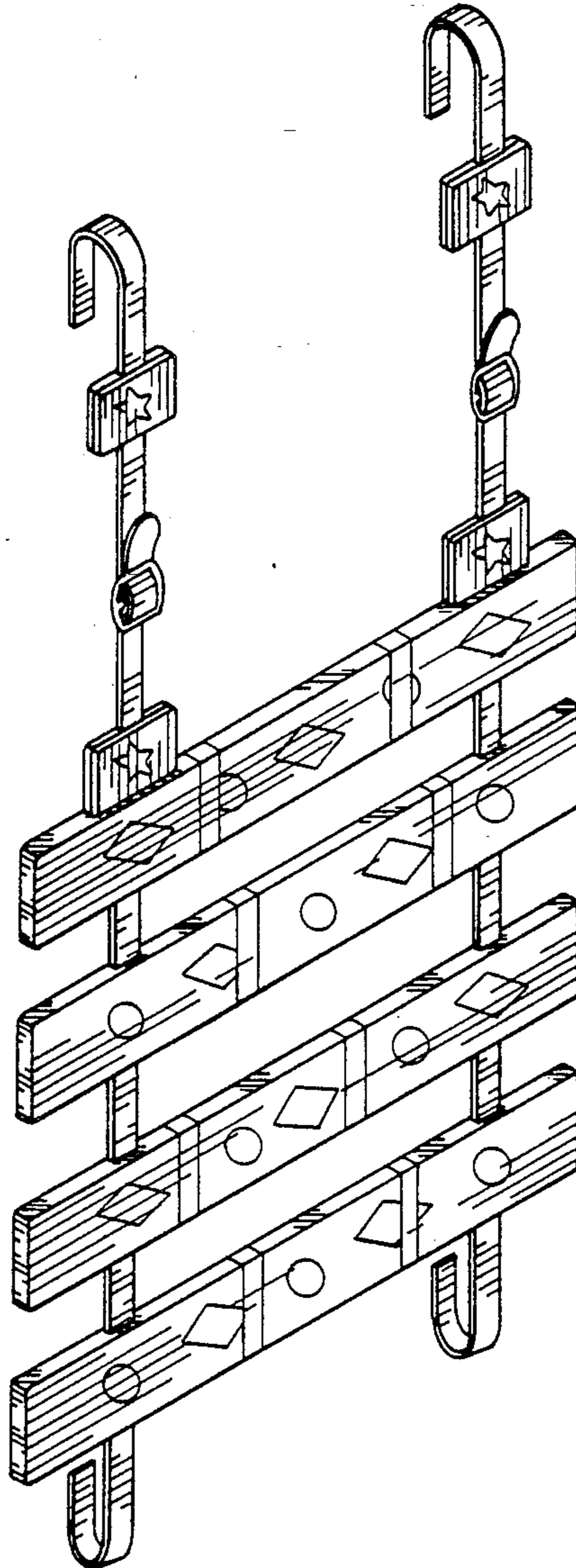
DESCRIPTION

[56] References Cited

U.S. PATENT DOCUMENTS

D. 208,462	9/1967	Pearson	D12/167
4,561,685	12/1985	Fischer	293/128
4,707,009	11/1987	Barnett	293/128

FIG. 1 is a perspective view of the car door protector embodying the design of the present invention; FIG. 2 is a front elevational view thereof; FIG. 3 is a rear elevational view thereof; FIG. 4 is a side elevational view thereof; FIG. 5 is an opposite side elevational view thereof; FIG. 6 is a top plan view thereof; and, FIG. 7 is a bottom plan view thereof.



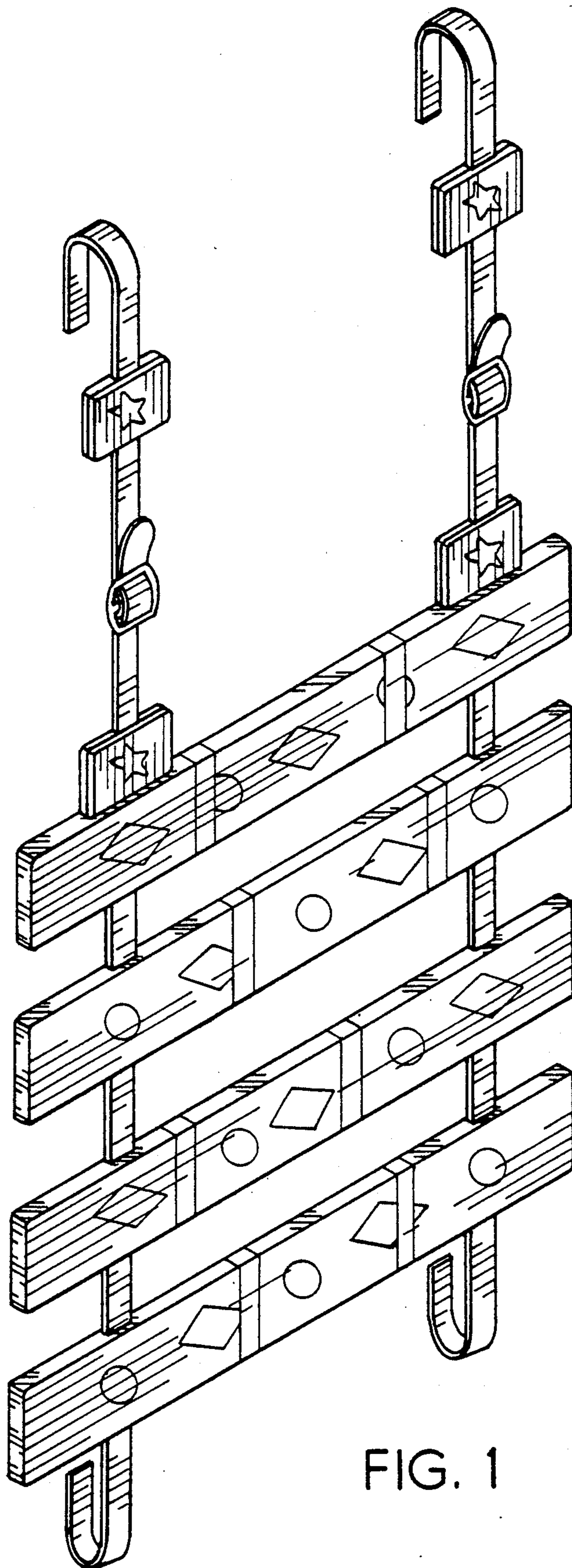


FIG. 1

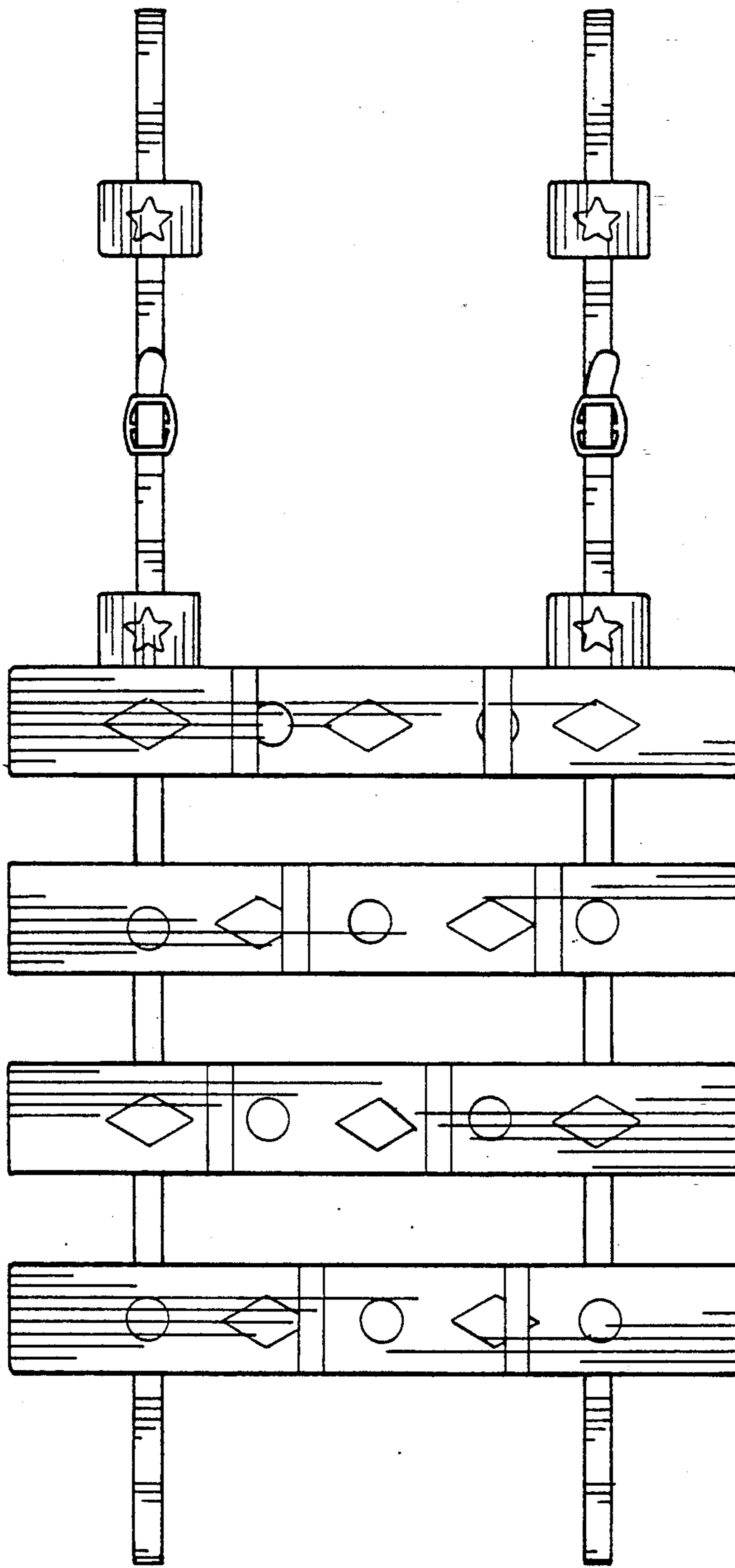


FIG. 2

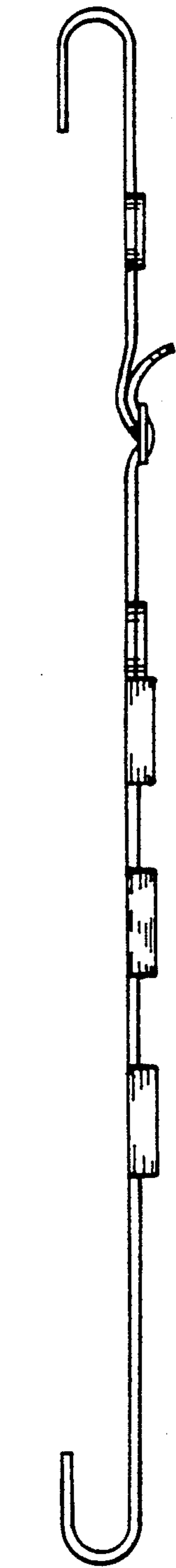


FIG. 5

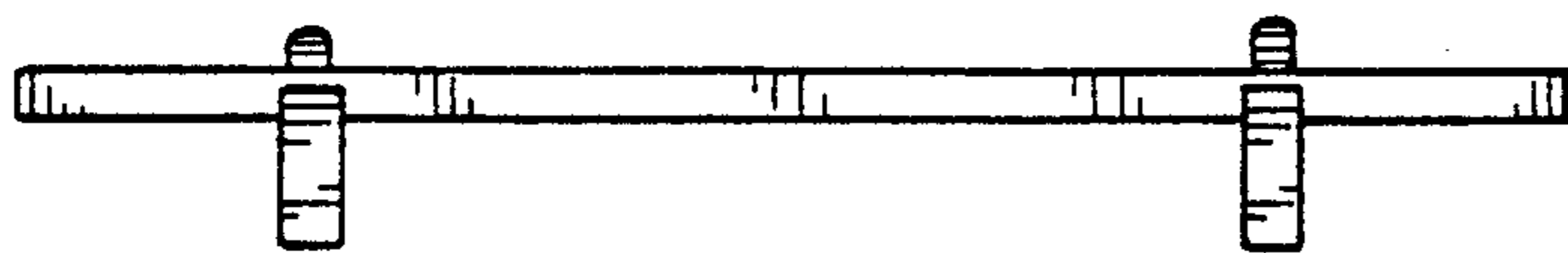


FIG. 7

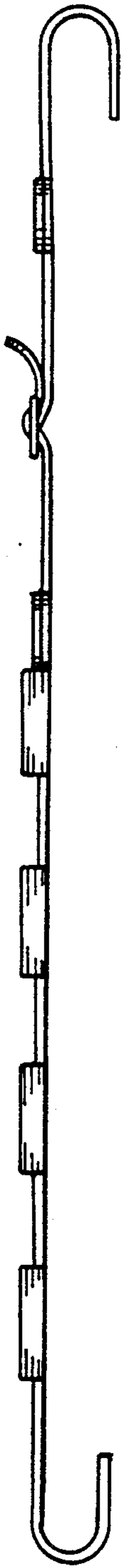


FIG. 4

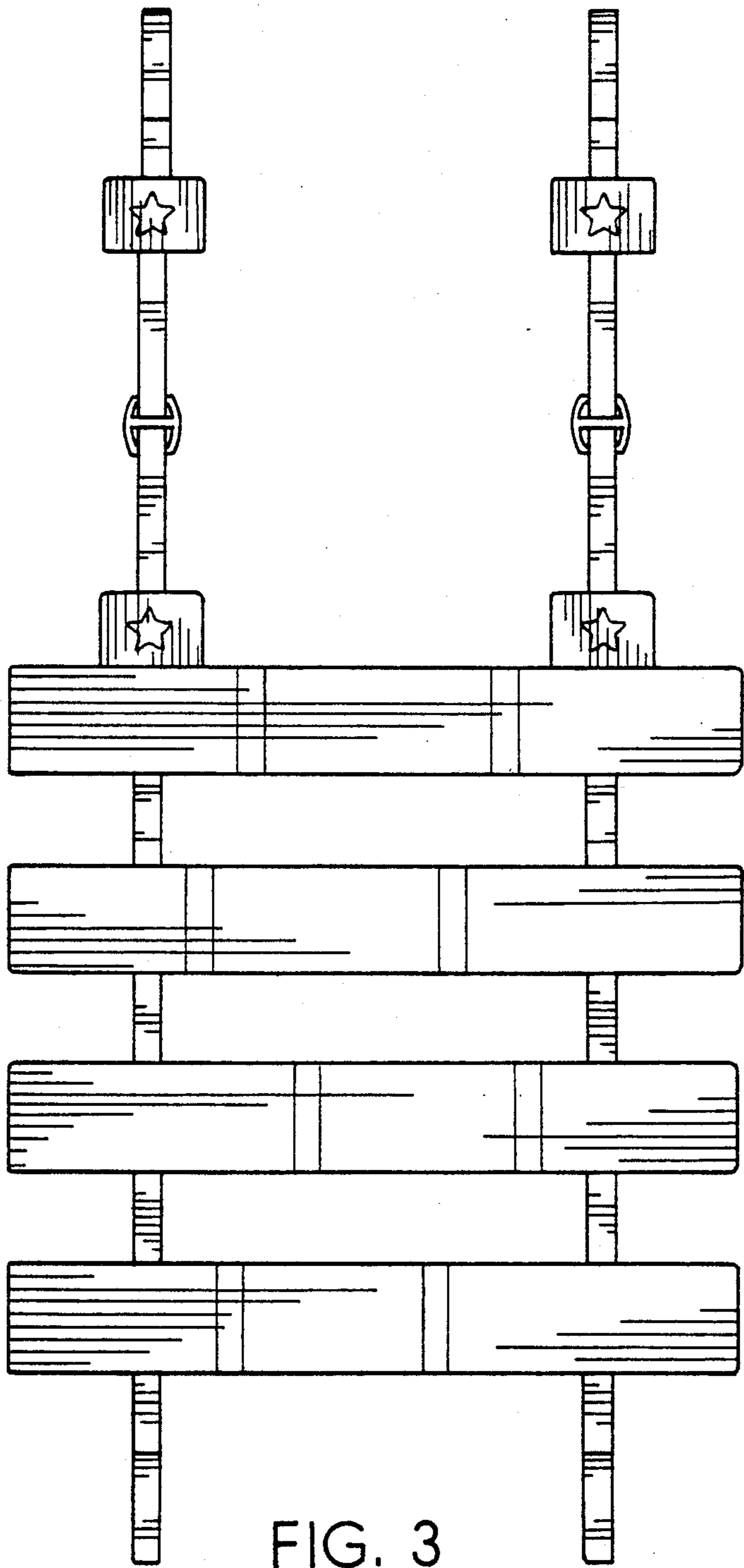


FIG. 3

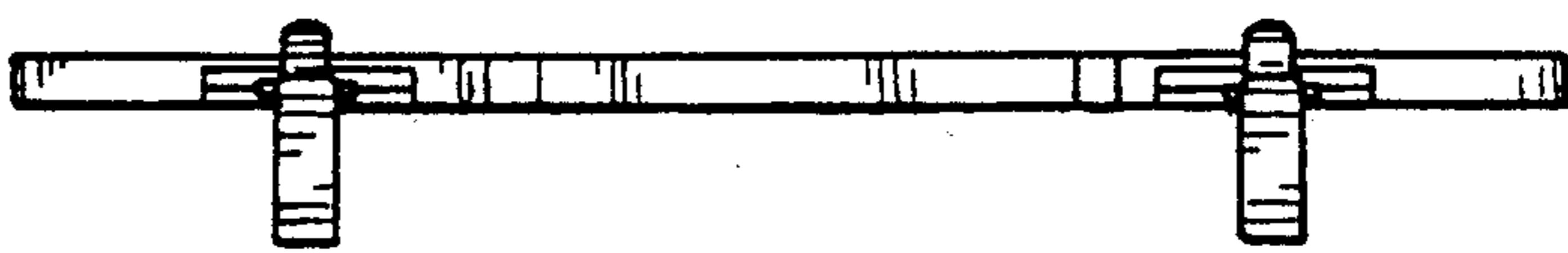


FIG. 6