



US00D32882S

# United States Patent [19]

[11] Patent Number: Des. 328,882

Martinell

[45] Date of Patent: \*\* Aug. 25, 1992

[54] FREE-STANDING BICYCLE STAND

[75] Inventor: Steven W. Martinell, Vancouver, Wash.

[73] Assignee: Racor, Inc., Vancouver, Wash.

[\*\*] Term: 14 Years

[21] Appl. No.: 652,910

[22] Filed: Feb. 8, 1991

[52] U.S. Cl. .... D12/115

[58] Field of Search ..... D12/115; 211/17, 20, 211/22, 21

[56] References Cited

U.S. PATENT DOCUMENTS

D. 32,181	1/1900	Pease	.....	211/22
557,470	5/1896	Young	.....	211/20
590,443	9/1897	Temple	.....	211/21
3,785,500	1/1974	Kennelly	.....	D12/115

Primary Examiner—Wallace R. Burke  
Assistant Examiner—Melody Brown

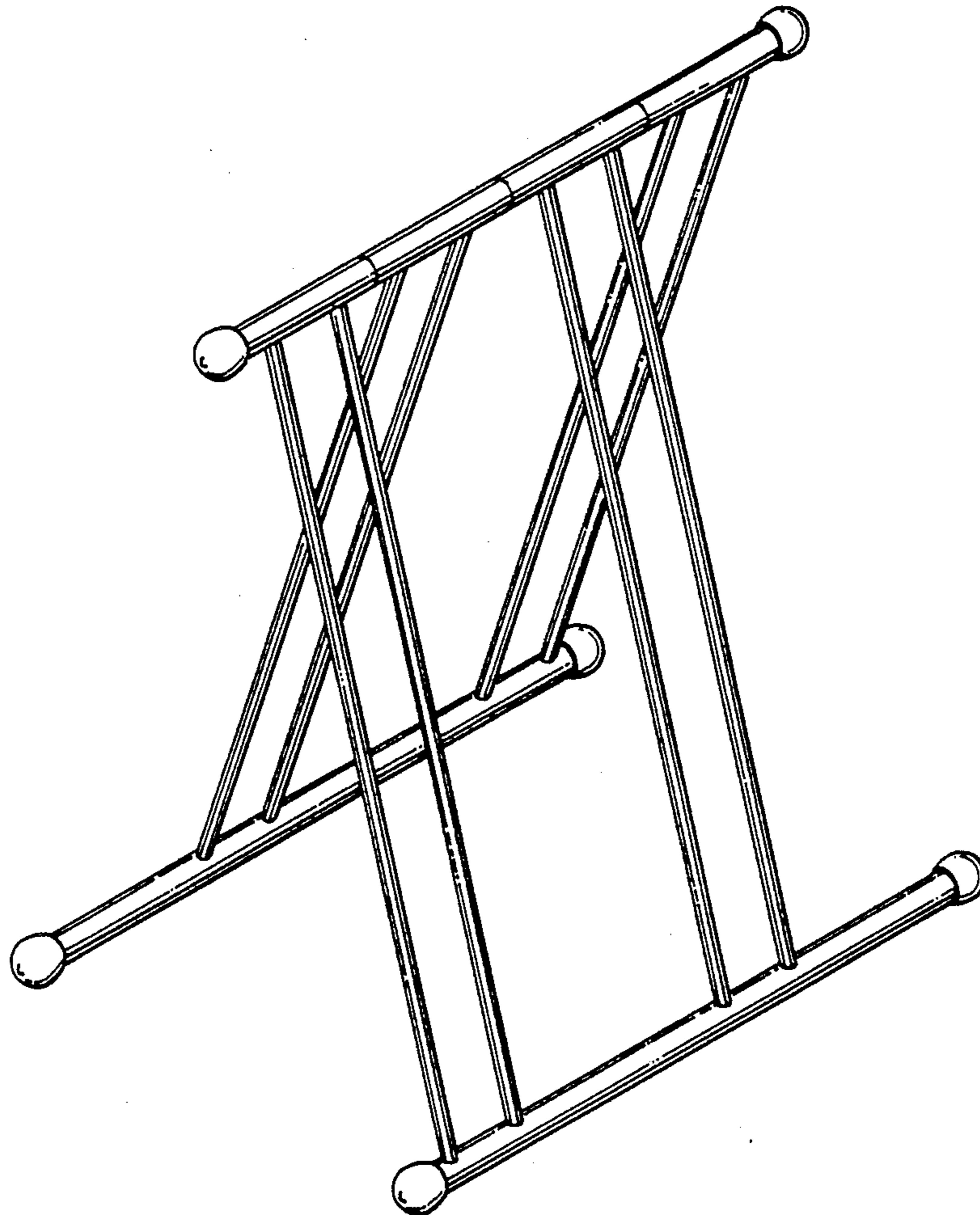
Attorney, Agent, or Firm—Chernoff, Vilhauer, McClung & Vilhauer

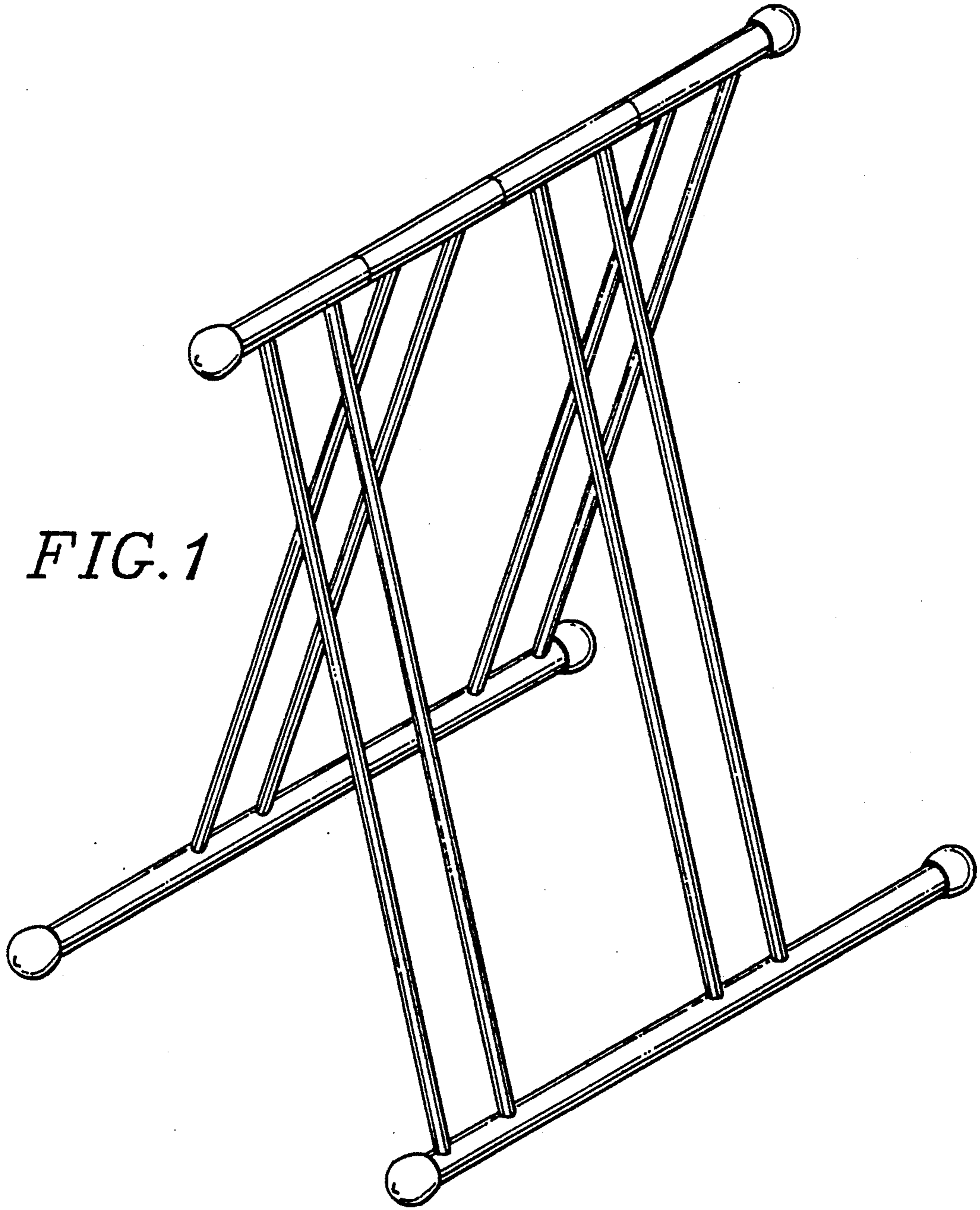
[57] CLAIM

The ornamental design for a free-standing bicycle stand, as shown and described.

DESCRIPTION

FIG. 1 is a perspective of a free-standing bicycle stand showing my new design;  
 FIG. 2 is a front elevational view thereof, the rear view being a mirror image of that shown;  
 FIG. 3 is a side elevational view thereof, the opposite side being a mirror image of that shown;  
 FIG. 4 is a top plan view thereof;  
 FIG. 5 is a bottom plan view thereof;  
 FIG. 6 is a perspective view of a free-standing bicycle stand showing a second embodiment of my new design;  
 FIG. 7 is a front elevational view of FIG. 6, the rear view being a mirror image of that shown;  
 FIG. 8 is a side elevational view of FIG. 6, the opposite side being a mirror image of that shown;  
 FIG. 9 is a top plan view of FIG. 6; and,  
 FIG. 10 is a bottom plan view of FIG. 6.





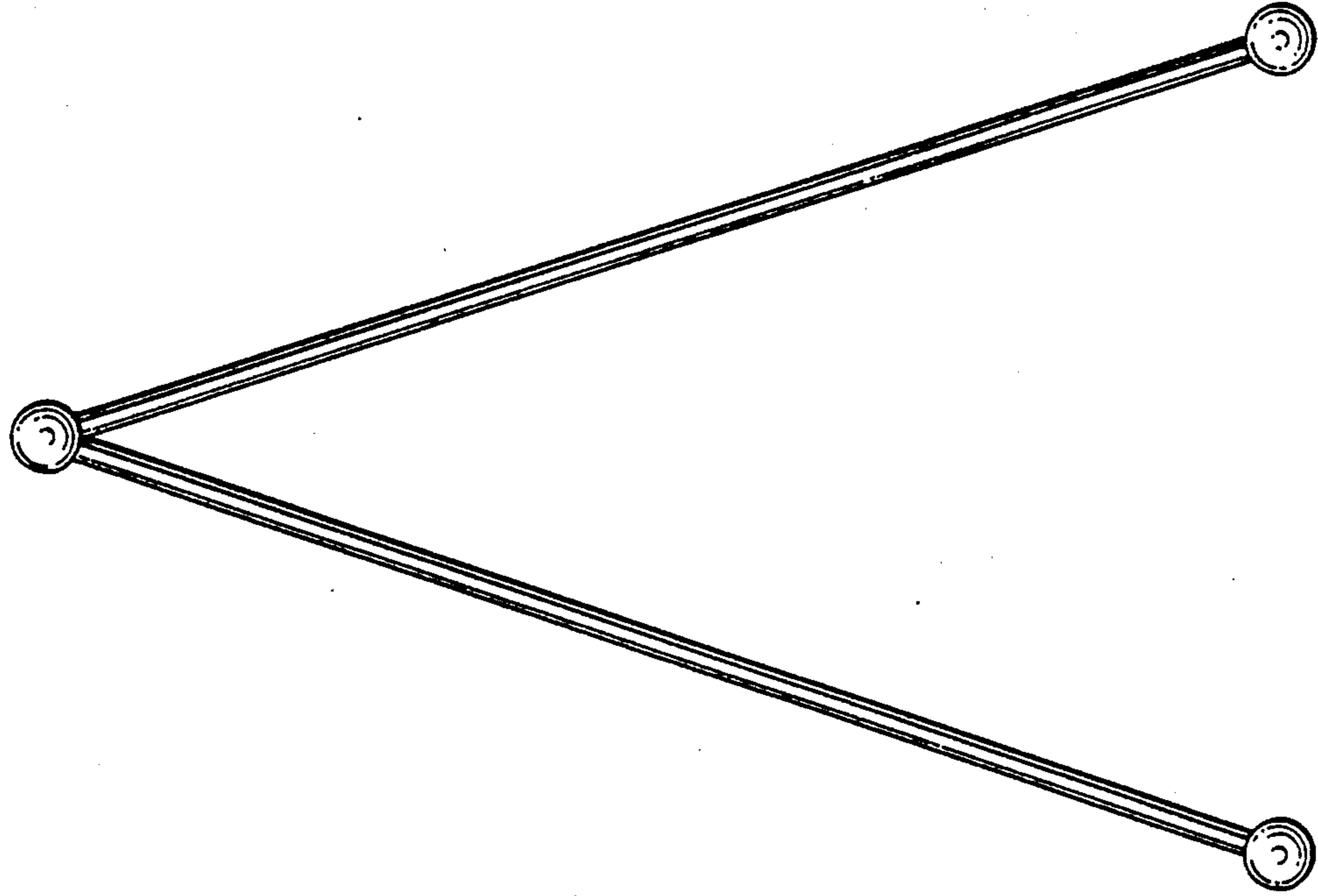


FIG. 3

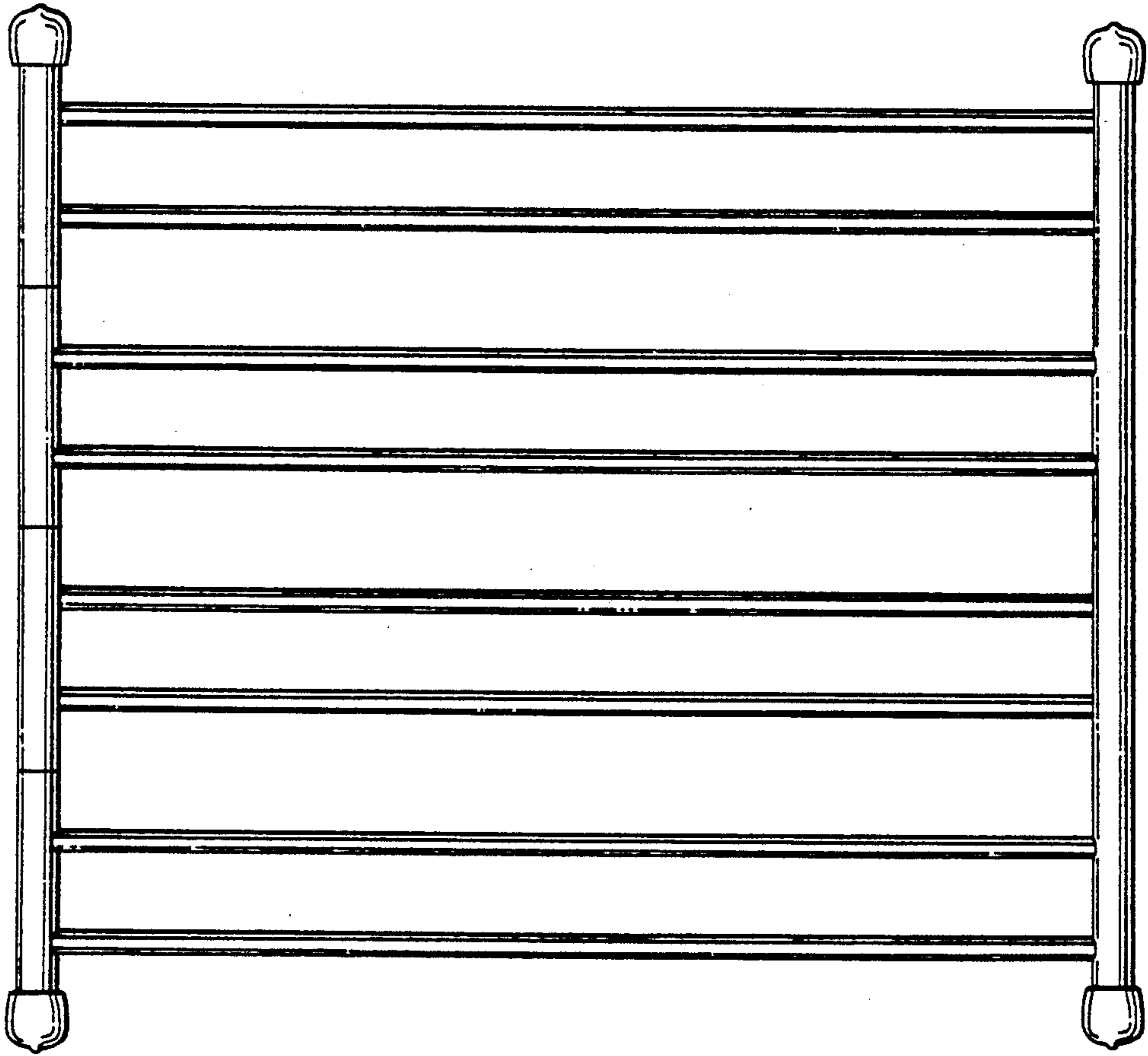
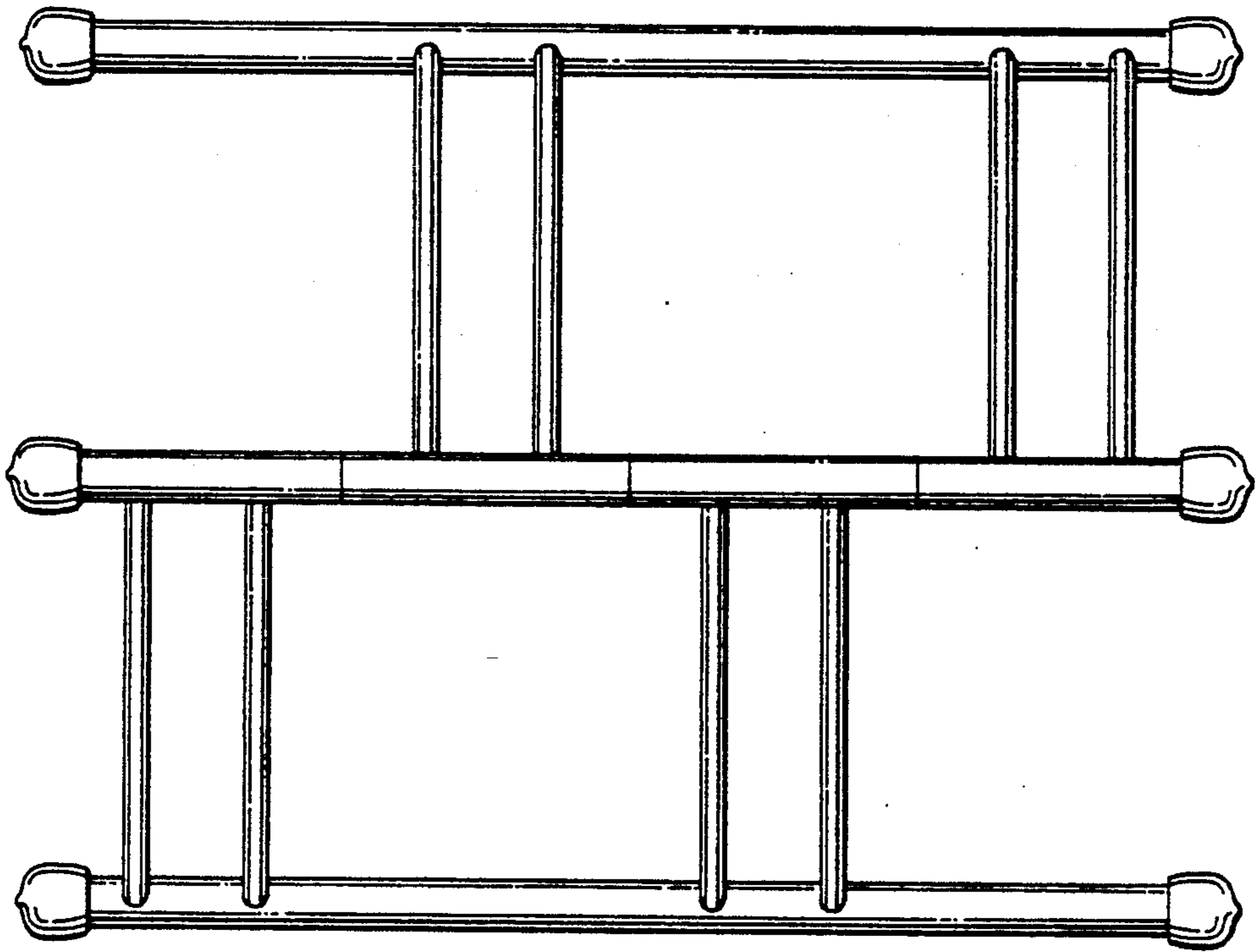
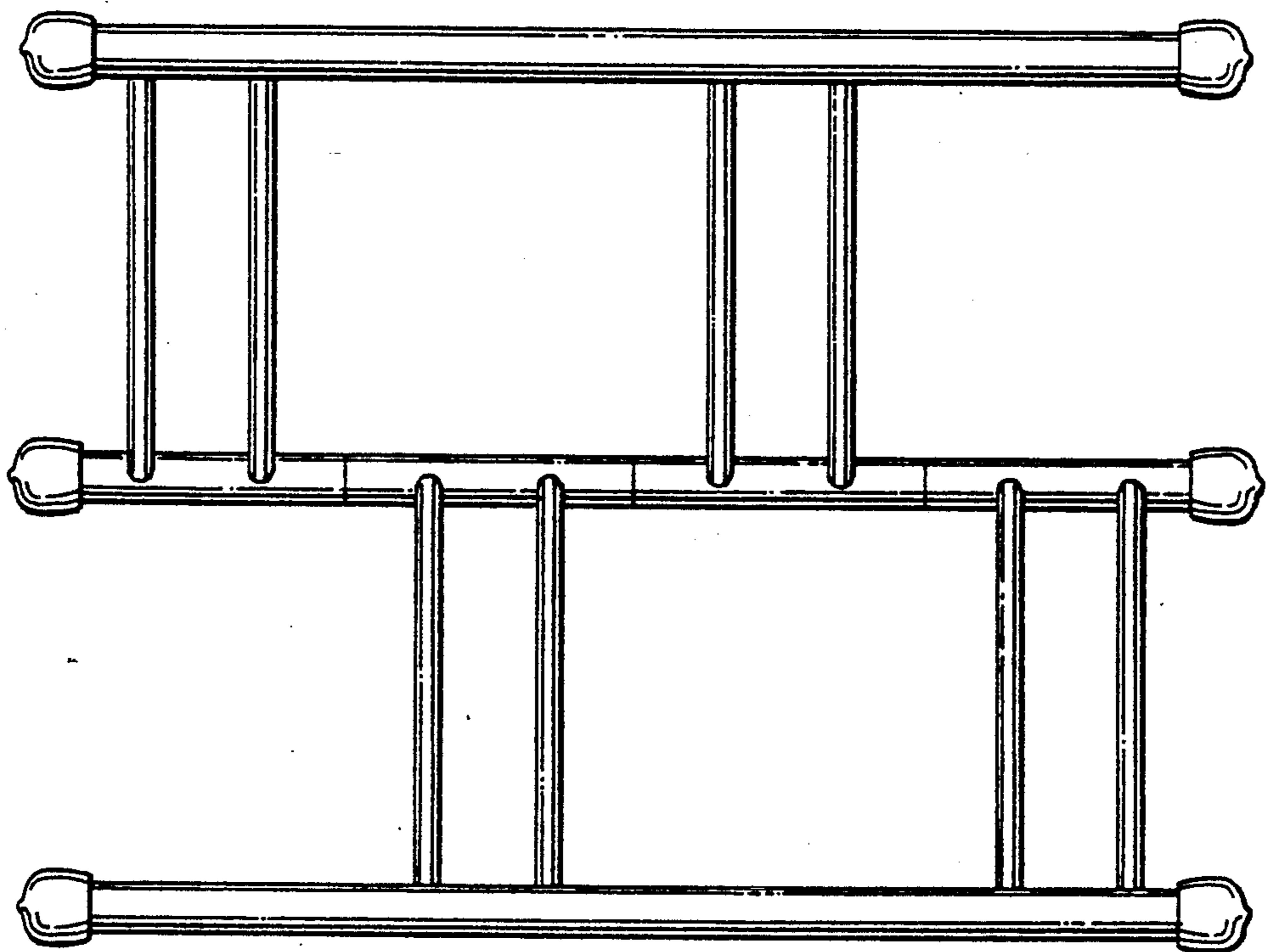


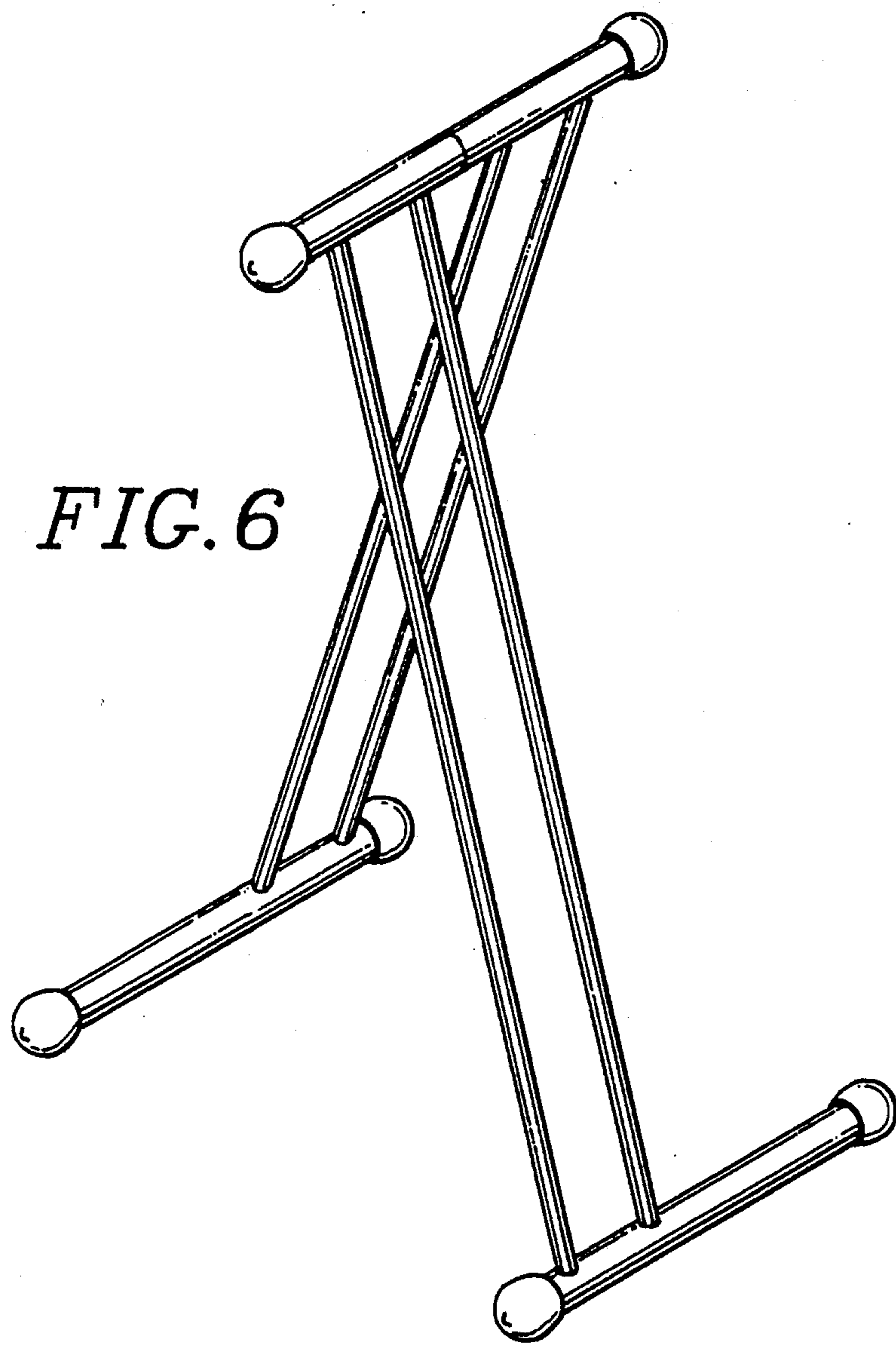
FIG. 2

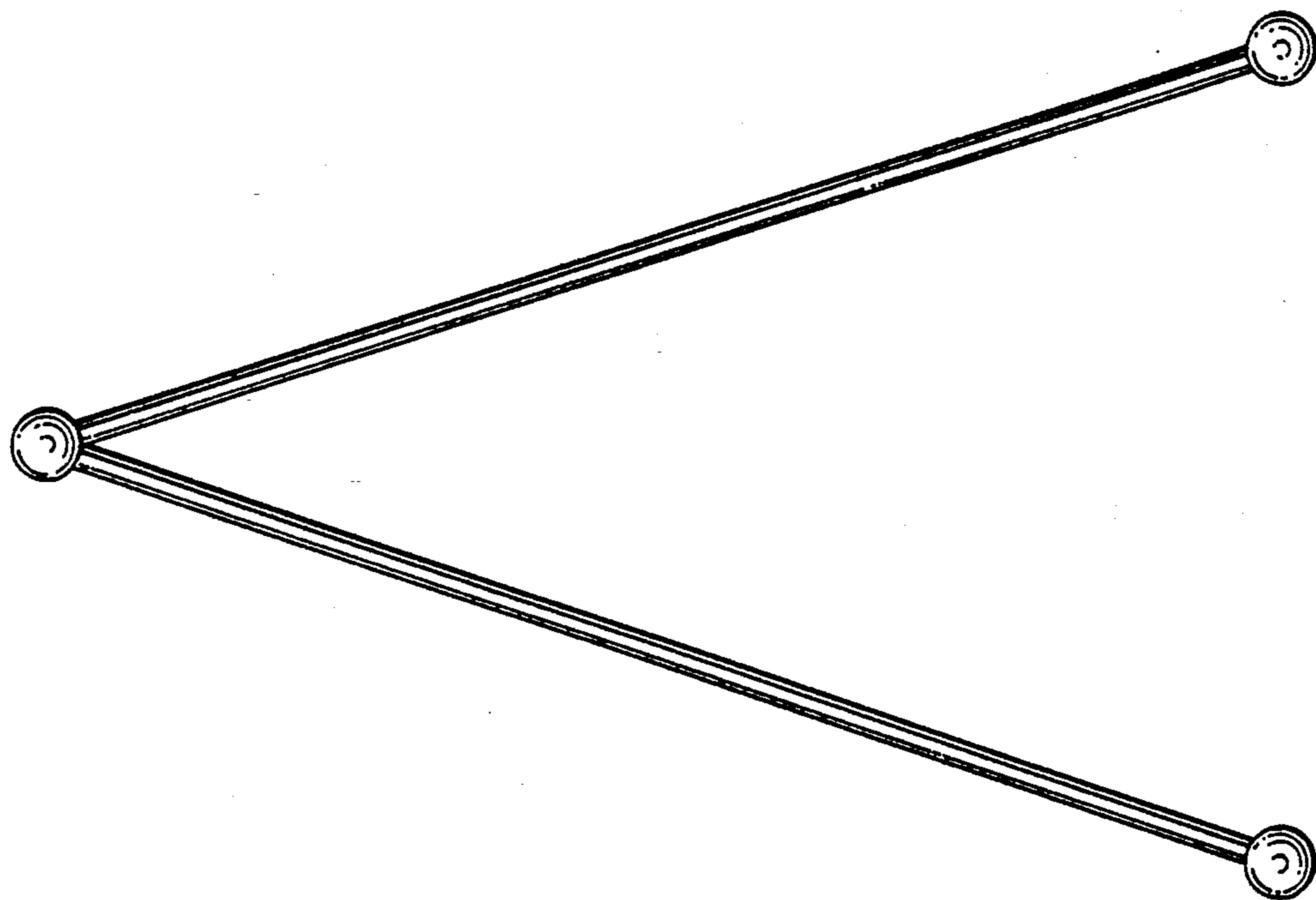


*FIG. 4*

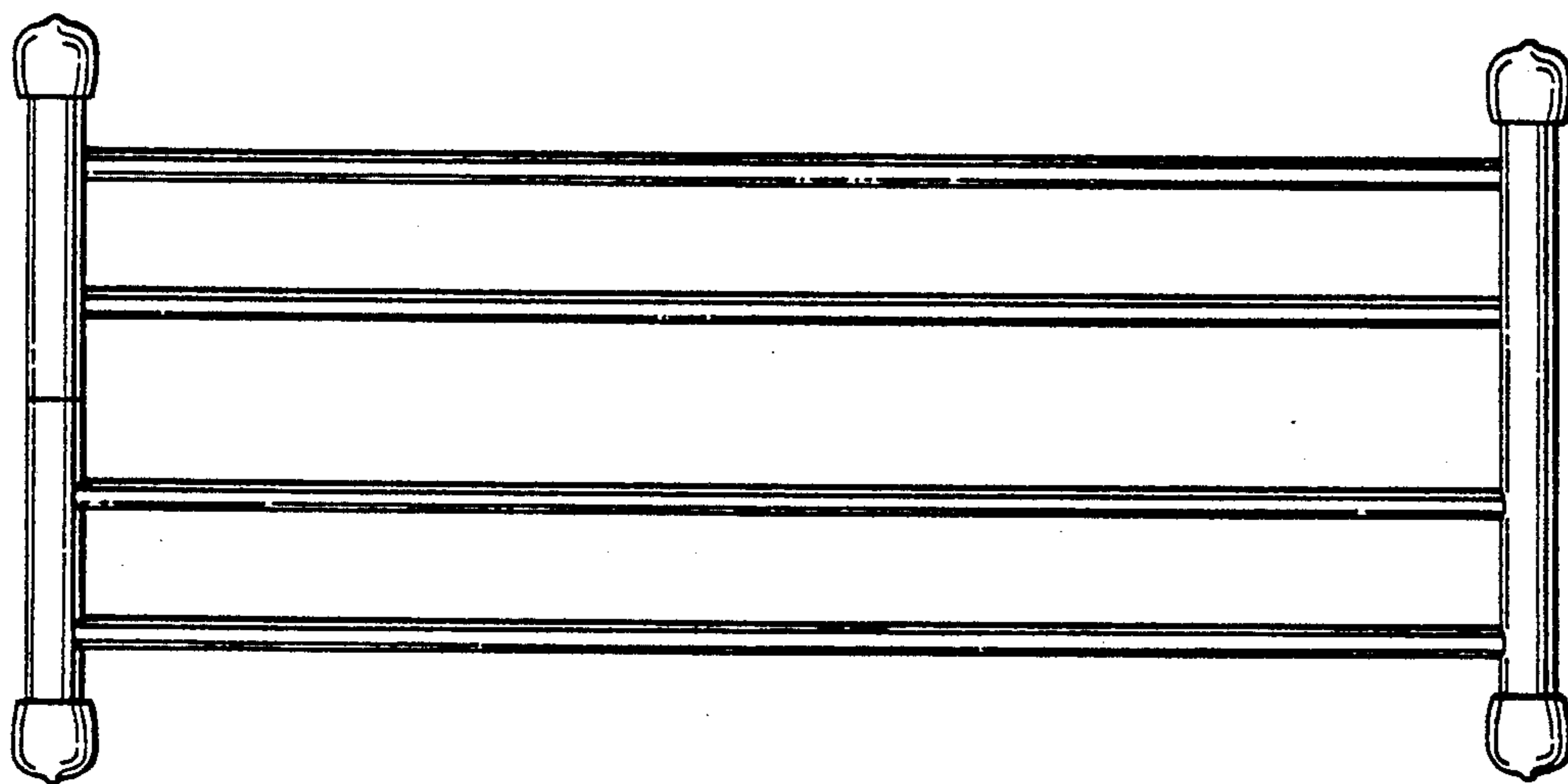


*FIG. 5*

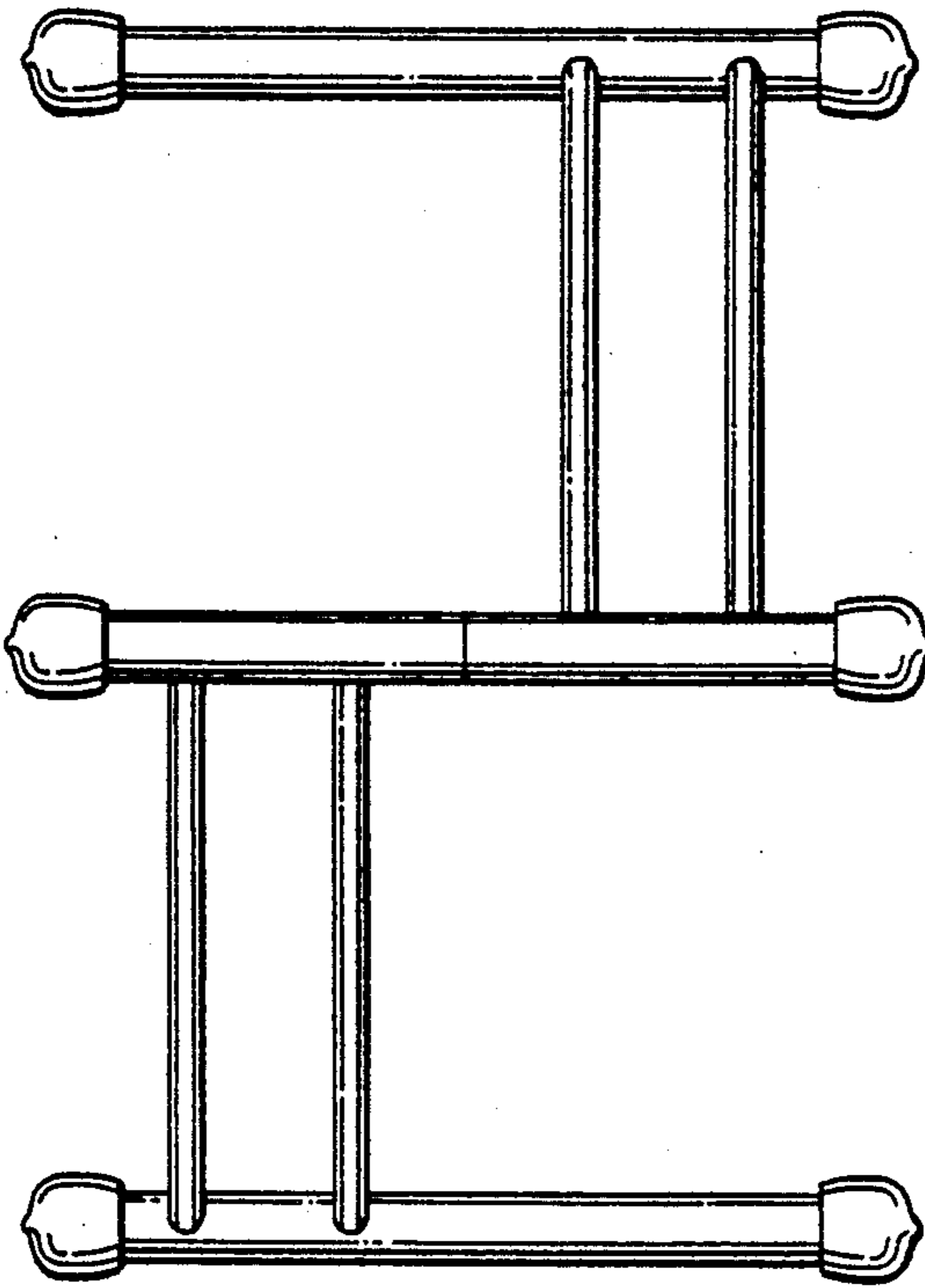




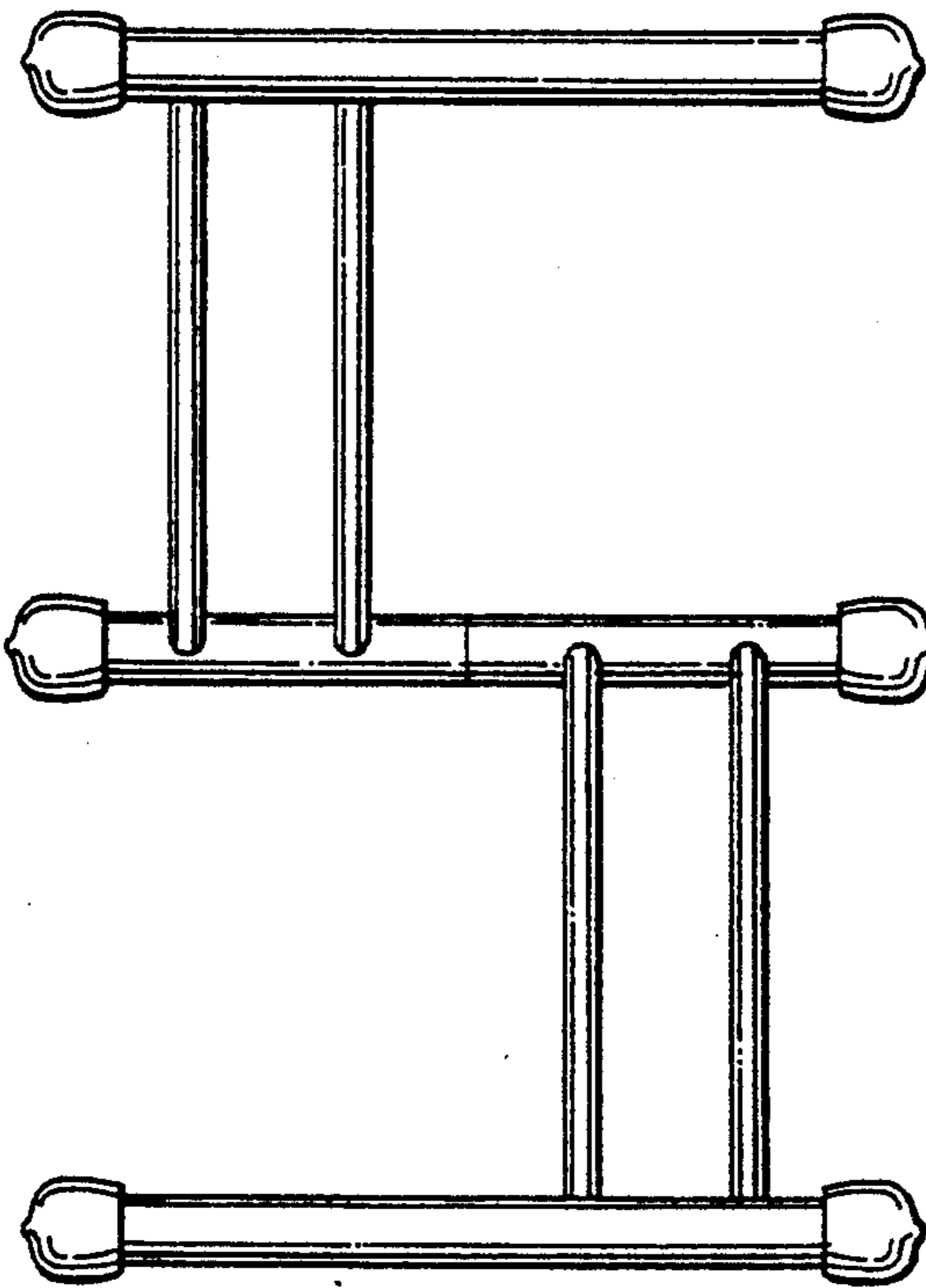
*FIG. 8*



*FIG. 7*



*FIG. 9*



*FIG. 10*