



US00D328881S

United States Patent [19]

[11] Patent Number: Des. 328,881

Herman et al.

[45] Date of Patent: ** Aug. 25, 1992

- [54] **FOUR WHEELED CYCLE**
- [76] Inventors: Leonard A. Herman, 3198 Old Post Dr.; Morris Helman, 3 Sayrewood Ct., both of Baltimore, Md. 21208
- [**] Term: 14 Years
- [21] Appl. No.: 638,668
- [22] Filed: Jan. 8, 1991
- [52] U.S. Cl. D12/107
- [58] Field of Search D12/107, 111; 280/282, 280/209, 267

4,746,135	5/1988	Oh	280/262
4,749,207	6/1988	Oh	280/282
4,779,882	10/1988	Date	280/230

FOREIGN PATENT DOCUMENTS

49426	8/1911	Fed. Rep. of Germany
304173	4/1917	Fed. Rep. of Germany
8803	of 1892	United Kingdom

OTHER PUBLICATIONS

Design 238, Oct., 1968, p. 75, The Quadricycle shown at the top of the page.

Primary Examiner—Wallace R. Burke
 Assistant Examiner—Melody Brown
 Attorney, Agent, or Firm—Shlesinger, Arkwright & Garvey

[56] **References Cited**
U.S. PATENT DOCUMENTS

94,990	9/1869	Armando	280/256
115,212	5/1872	Janson	280/233
D. 146,542	4/1947	Hecht	D12/107
D. 146,645	4/1946	Donalson	D12/112
D. 230,679	5/1974	Campbell et al.	D12/107
D. 238,485	1/1976	Baldwin	D12/107
D. 239,709	4/1976	Scalone	D12/107
456,217	7/1891	Goodrich	280/277
1,734,775	11/1929	Ostby	280/256
2,529,930	11/1950	Foulke	280/274
2,546,822	11/1948	Herrick	280/7.15
3,044,802	7/1962	Douglas et al.	280/256
3,133,747	5/1964	Nelson	280/226.1
3,666,291	5/1972	Ortiz	280/226 R
3,827,719	8/1974	Lohr et al.	280/267
4,664,400	5/1987	Date	280/230

[57] **CLAIM**
 The ornamental design for a four wheeled cycle, as shown and described.

DESCRIPTION

FIG. 1 is a perspective view of a velocipede, showing our new design;
 FIG. 2 is a right side elevational view thereof;
 FIG. 3 is a top plan view thereof;
 FIG. 4 is a front elevational view thereof;
 FIG. 5 is a rear elevational view thereof; and,
 FIG. 6 is a bottom plan view thereof.
 The left side view is a mirror image of the right side elevation view shown in FIG. 2.

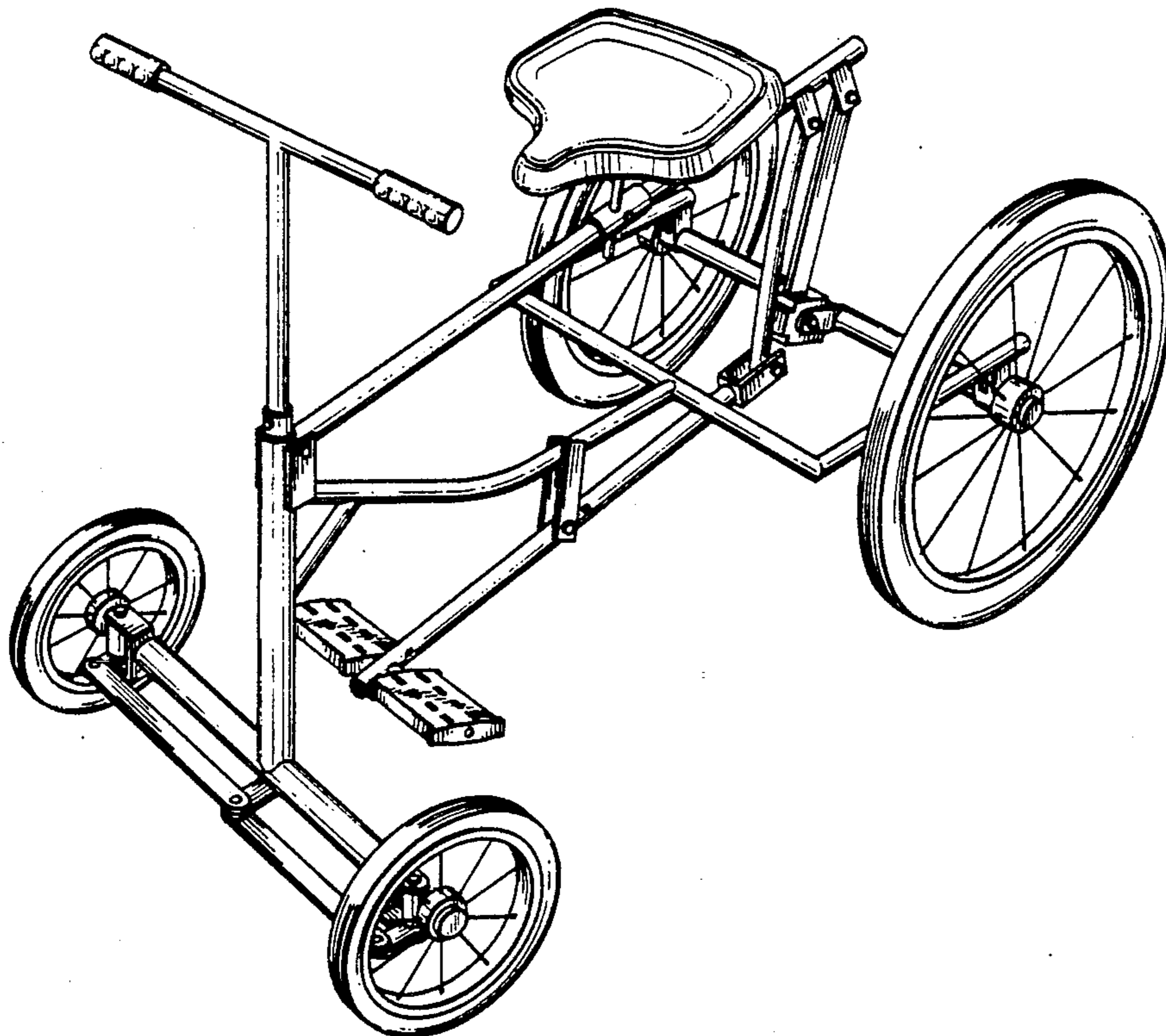


FIGURE 1

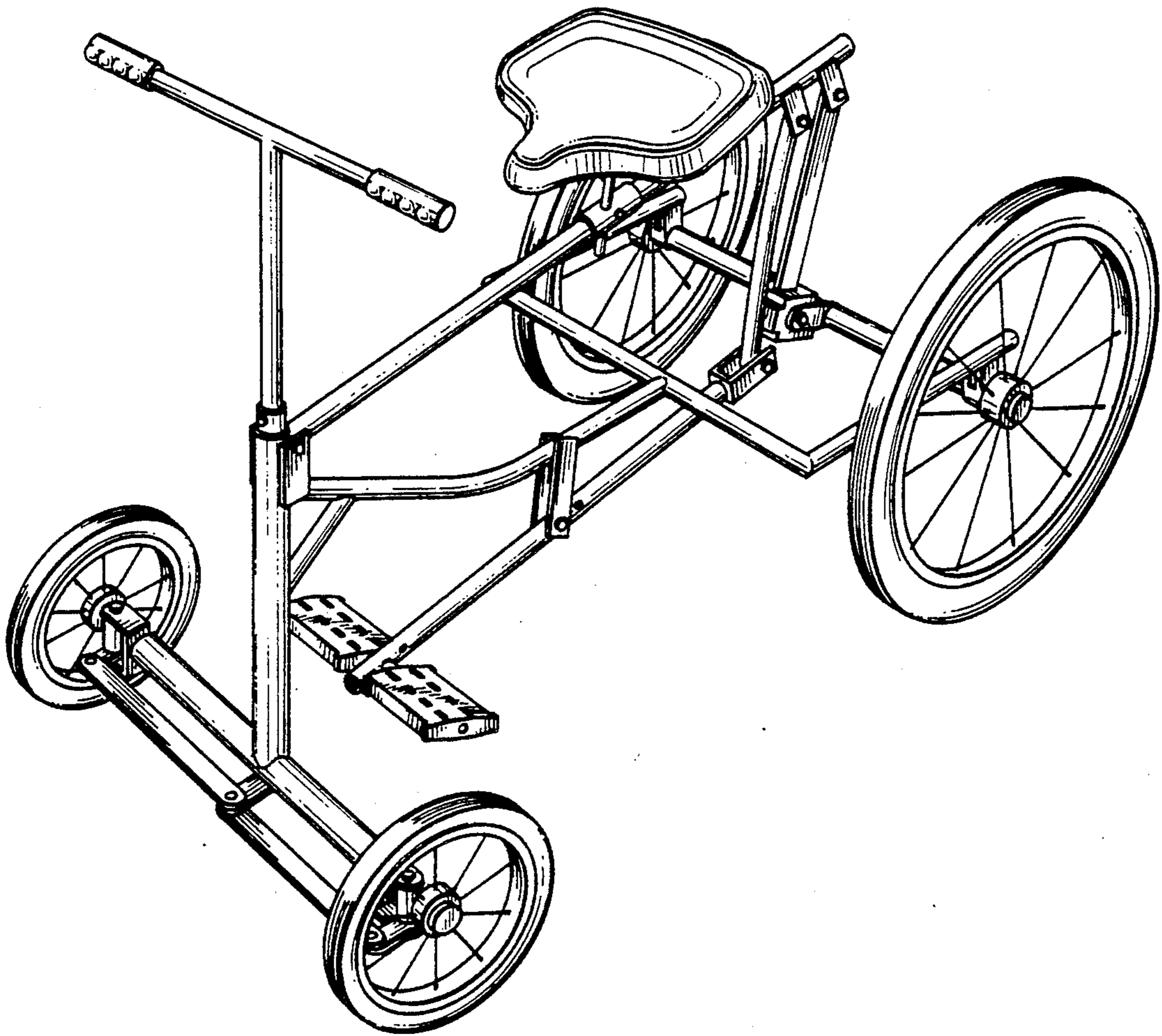


FIGURE 2

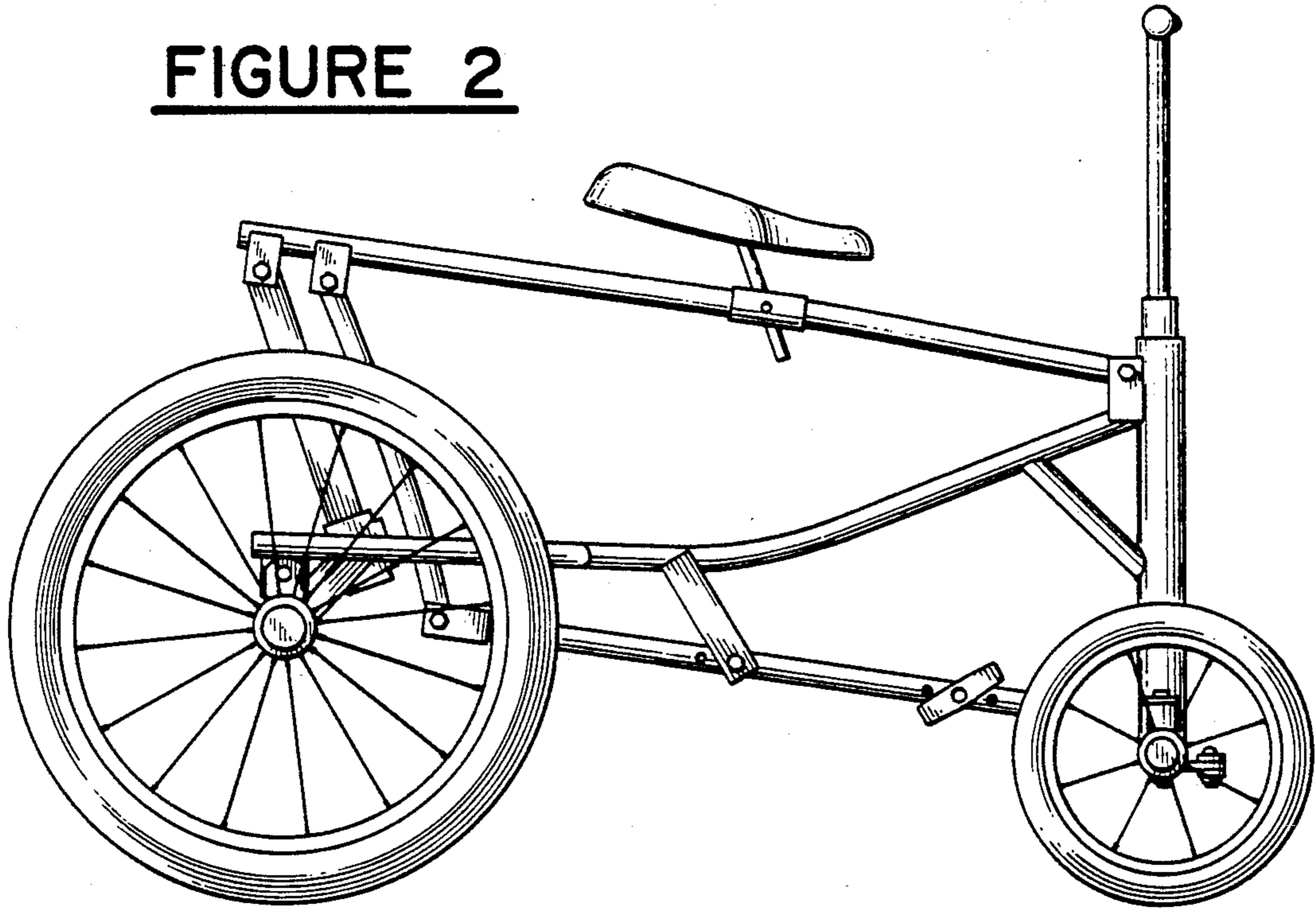


FIGURE 3

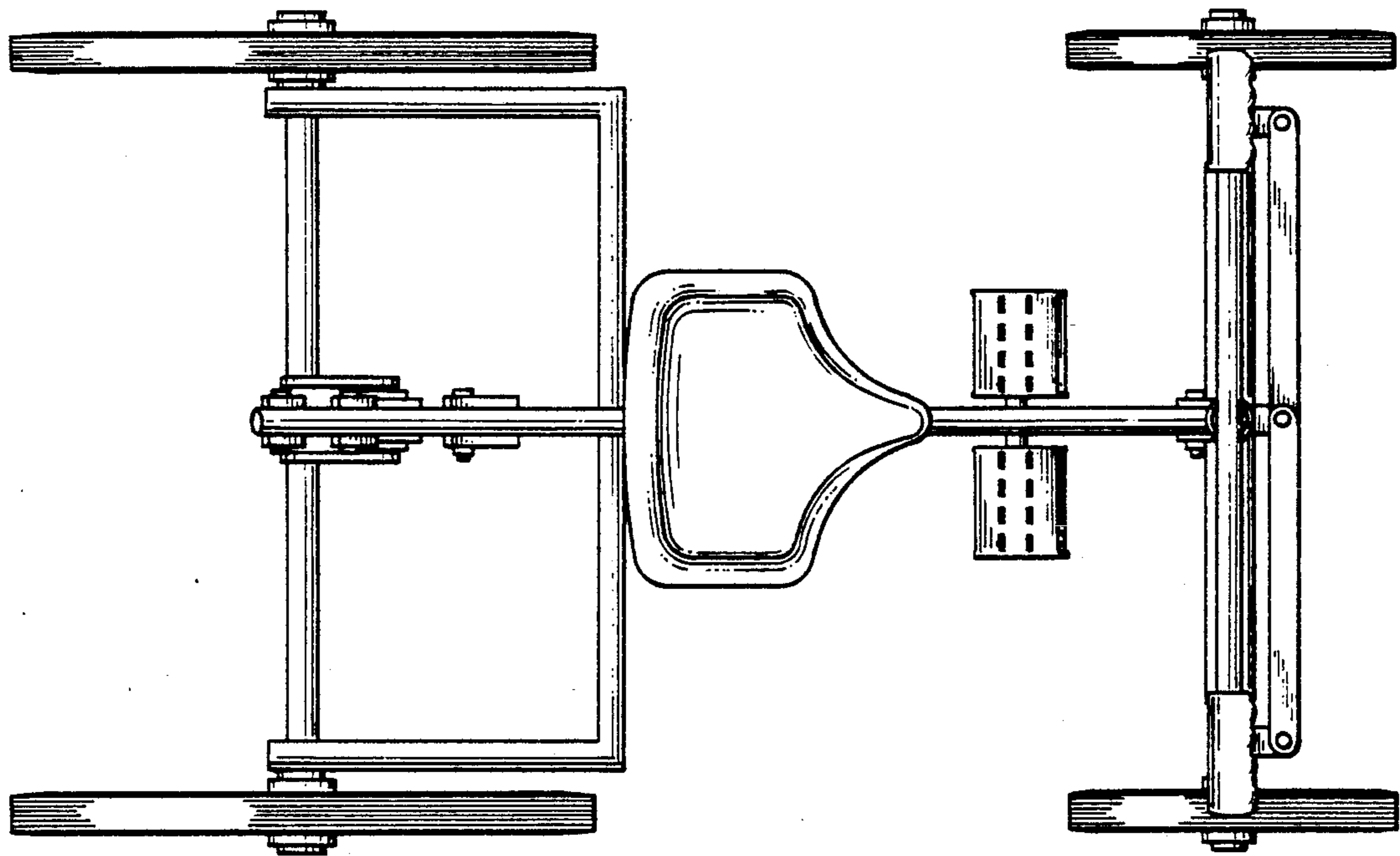


FIGURE 4

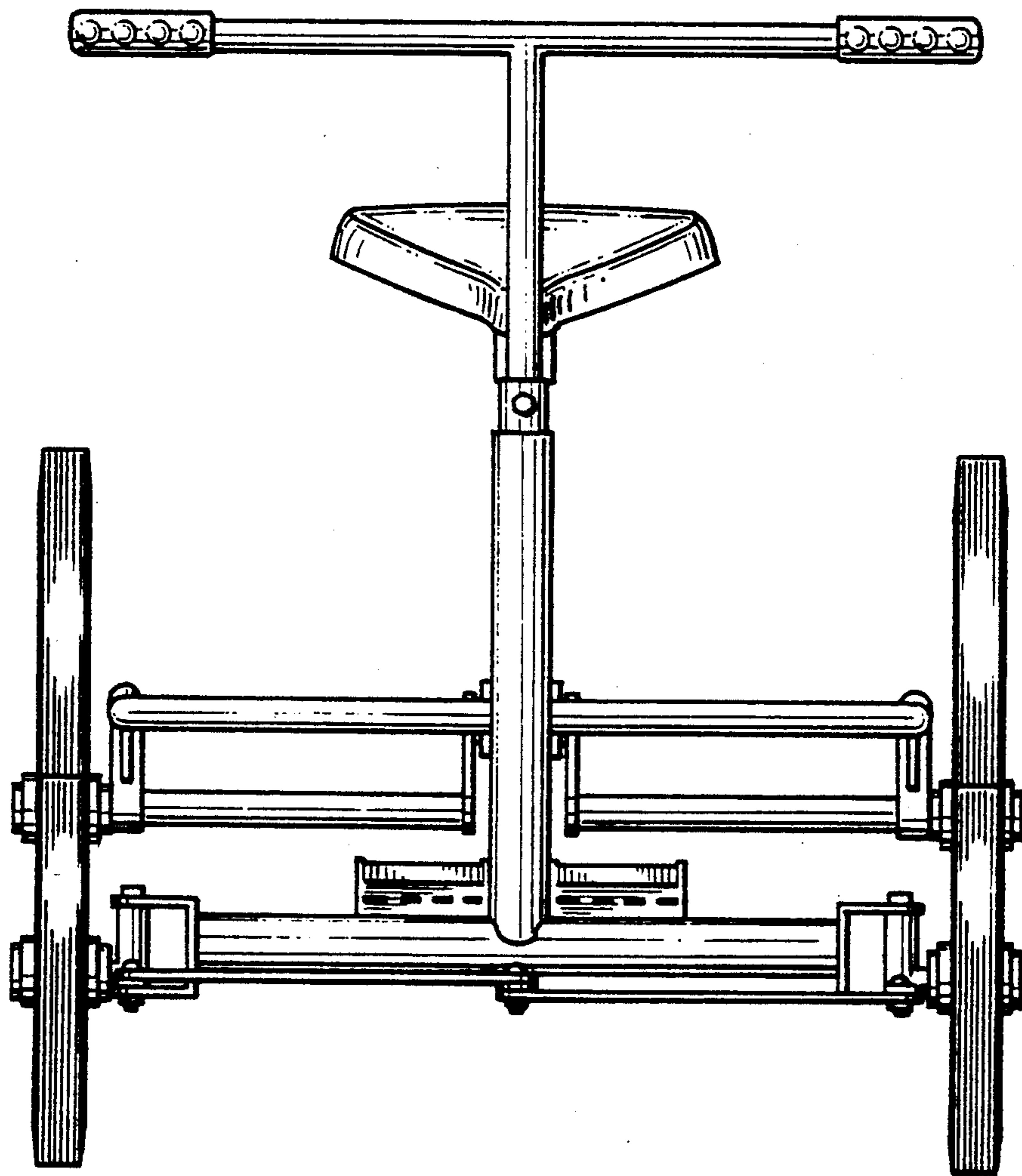


FIGURE 5

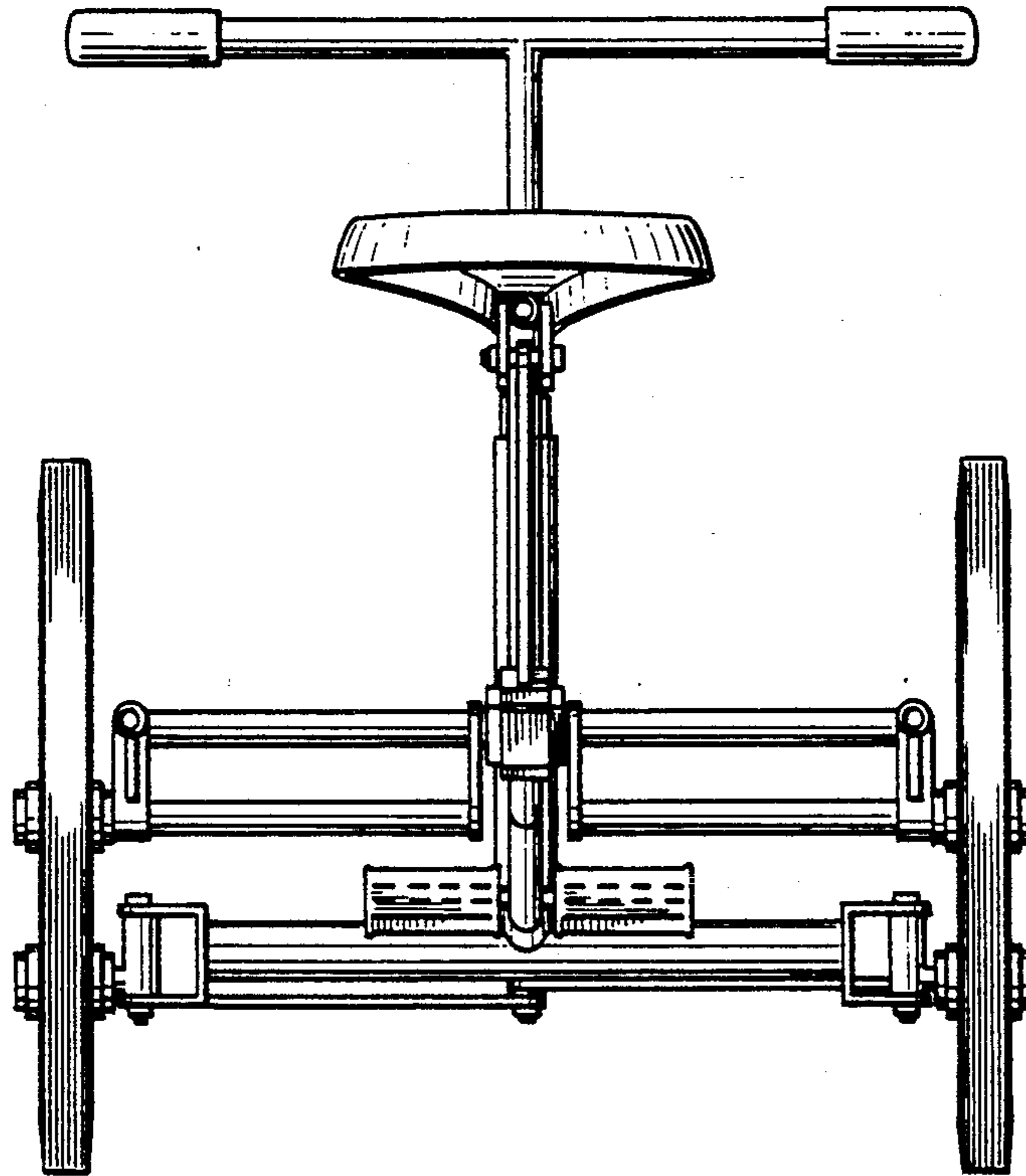


FIGURE 6

