



US00D328875S

United States Patent [19]

[11] Patent Number: **Des. 328,875**

Perkins

[45] Date of Patent: **** Aug. 25, 1992**

- [54] **INFRARED DETECTOR MIRROR**
- [75] Inventor: **Joseph R. Perkins**, Roseville, Calif.
- [73] Assignee: **C & K Systems, Inc.**, Folsom, Calif.
- [**] Term: **14 Years**
- [21] Appl. No.: **605,766**
- [22] Filed: **Oct. 30, 1990**
- [52] U.S. Cl. **D10/106; D23/390**
- [58] Field of Search **D10/104, 106, 121; 340/561, 565, 566, 567, 541, 545, 546, 547, 551, 552, 555, 556; 250/221, 224; D23/390**

Primary Examiner—Wallace R. Burke
Assistant Examiner—Marcus Jackson
Attorney, Agent, or Firm—Limbach & Limbach

[57] CLAIM

The ornamental design for an infrared detector mirror, as shown and described.

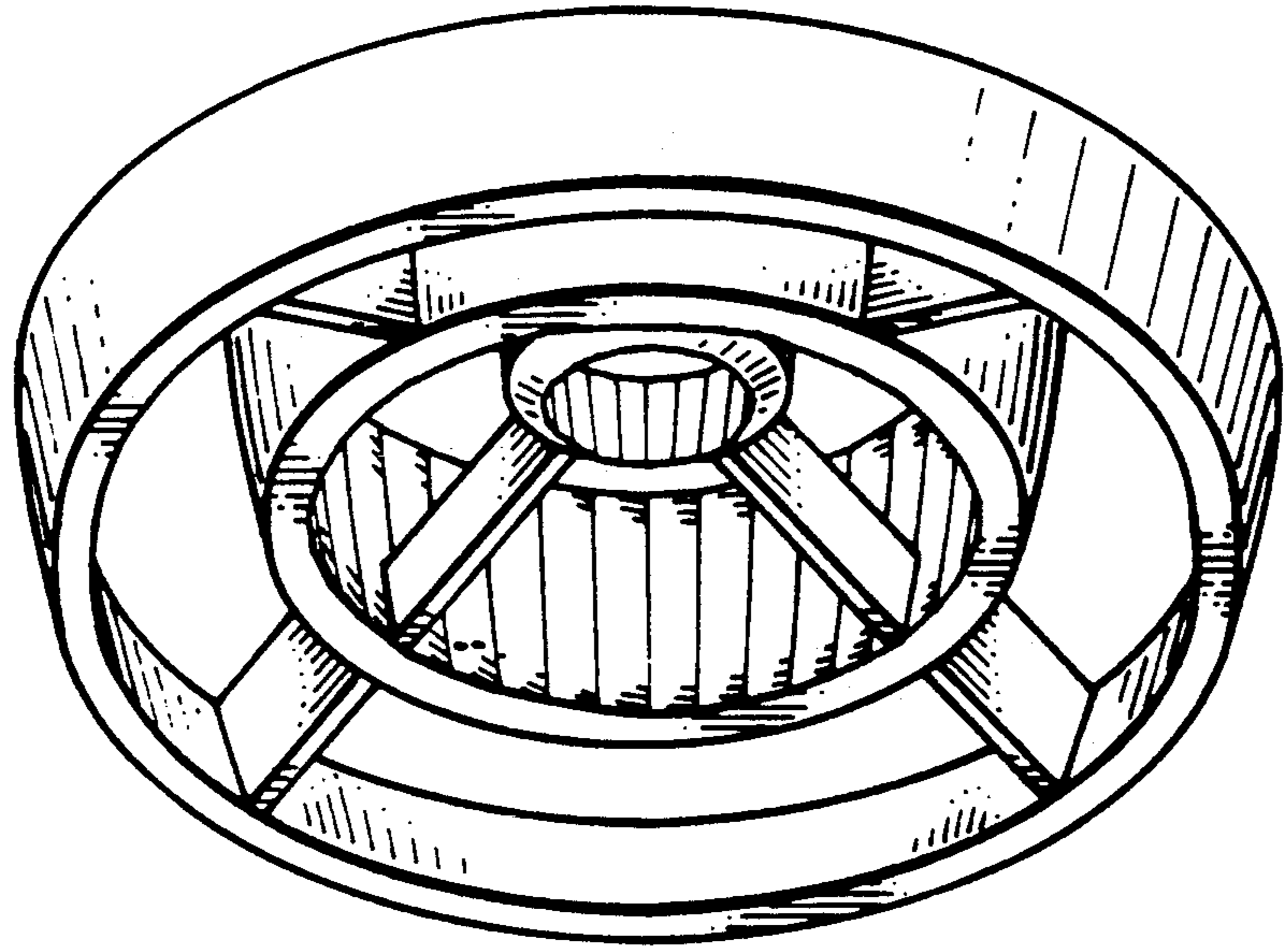
DESCRIPTION

FIG. 1 is a perspective view of an infrared detector mirror showing my new design;
 FIG. 2 is a bottom plan view thereof;
 FIG. 3 is a side elevational view thereof, with the opposite sides being a mirror image;
 FIG. 4 is a cross-sectional view taken along line 4—4 of FIG. 2;
 FIG. 5 is a top plan view thereof;
 FIG. 6 is a perspective view of a second embodiment thereof;
 FIG. 7 is a bottom plan view thereof;
 FIG. 8 is a side elevational view thereof, with the opposite sides being a mirror image;
 FIG. 9 is a cross-sectional view taken along line 9—9 of FIG. 7; and,
 FIG. 10 is a top plan view thereof.

[56] References Cited

U.S. PATENT DOCUMENTS

D. 158,672	5/1950	Koch	D23/390
D. 182,672	4/1958	Korabowski	D10/106
D. 242,779	12/1976	Goble et al.	D10/106
D. 275,187	8/1984	Skarman	D10/106
D. 297,219	8/1988	Taylor	D10/106
2,616,355	11/1952	McCabe et al.	D23/390
3,703,718	11/1972	Berman	340/258 D
4,644,147	2/1987	Züblin	250/221
4,757,204	7/1988	Baldwin et al.	250/342
4,841,284	6/1989	Biersdorff	340/567



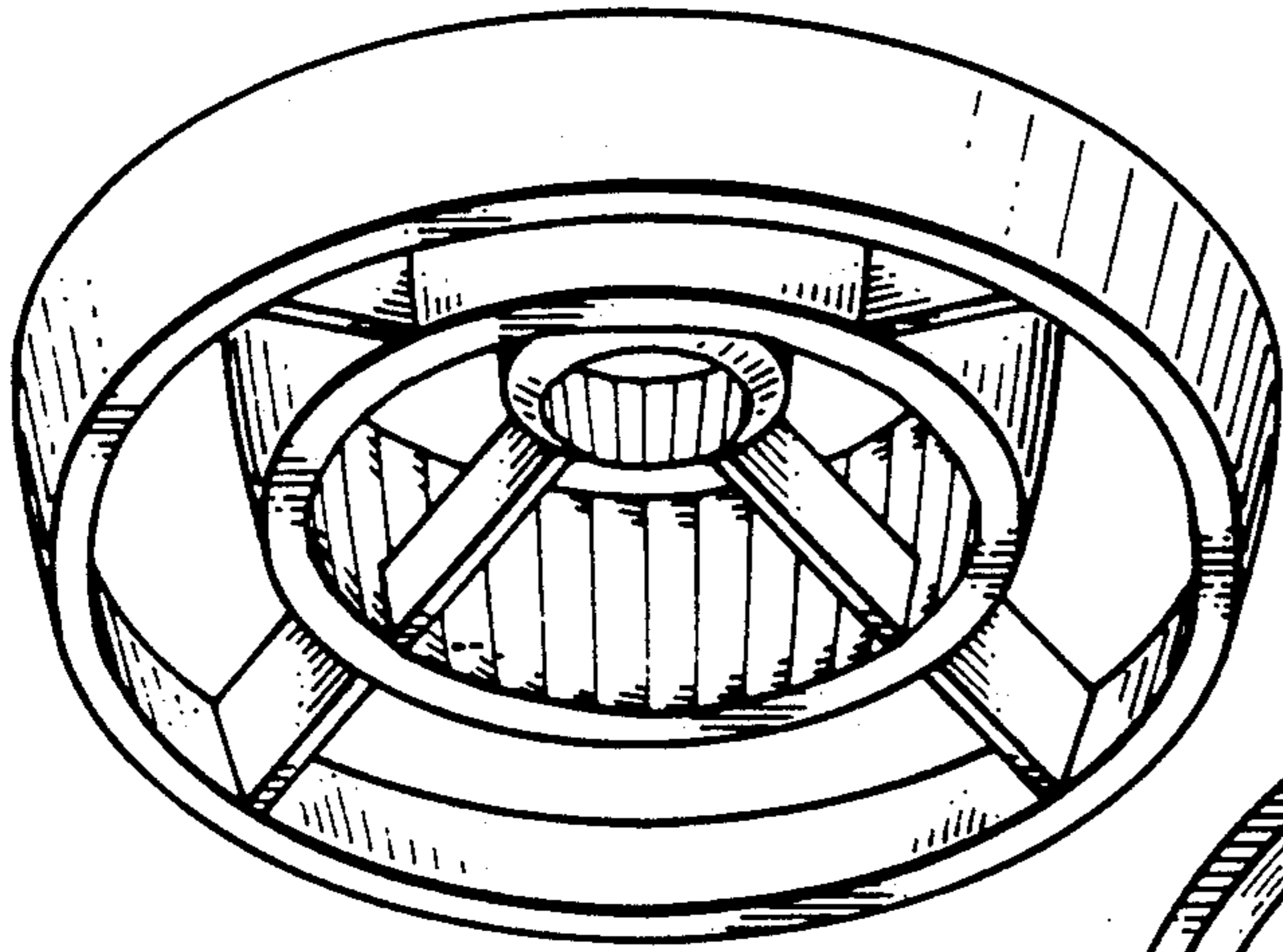


FIG. 1.

4
↑

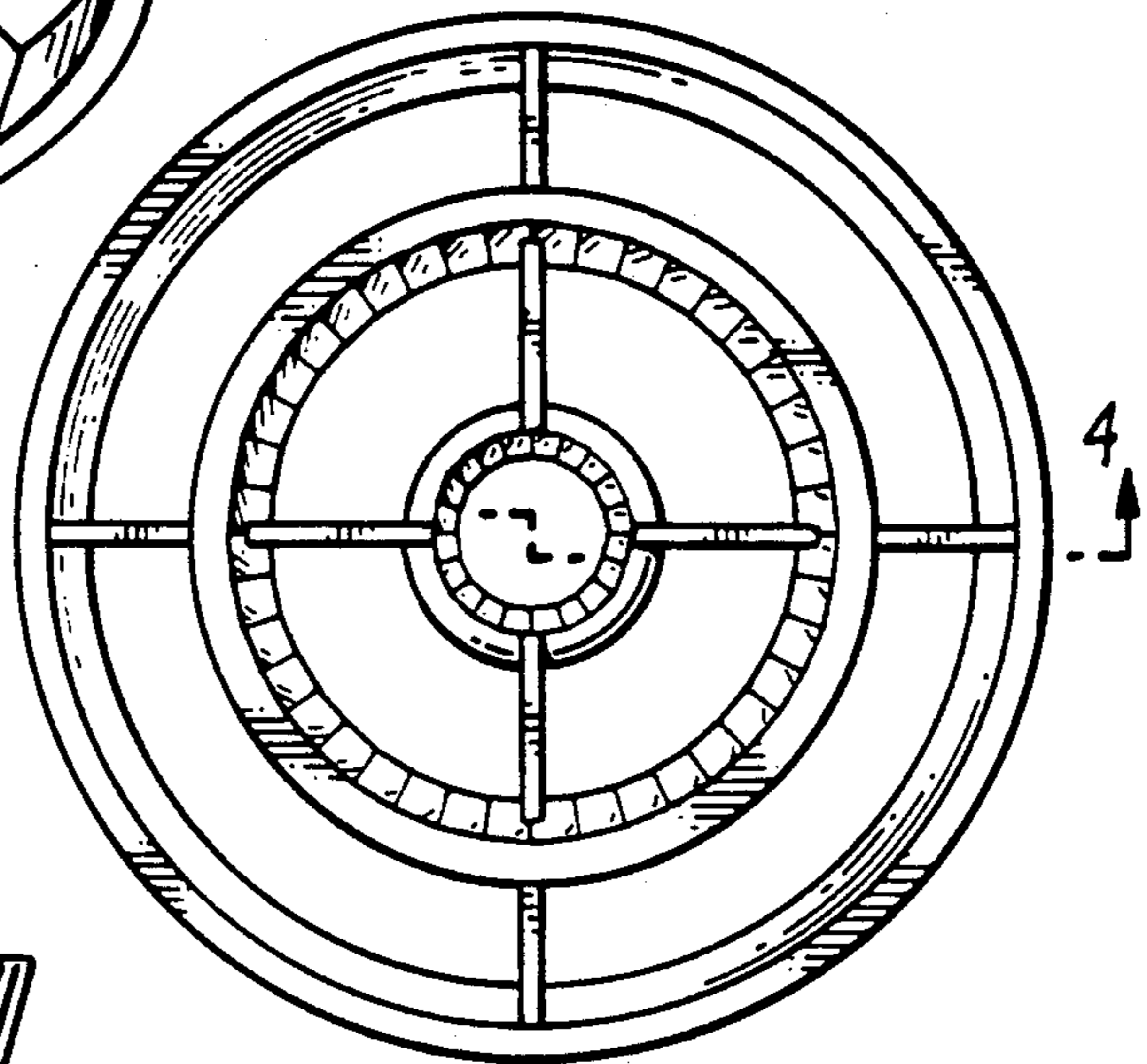


FIG. 2

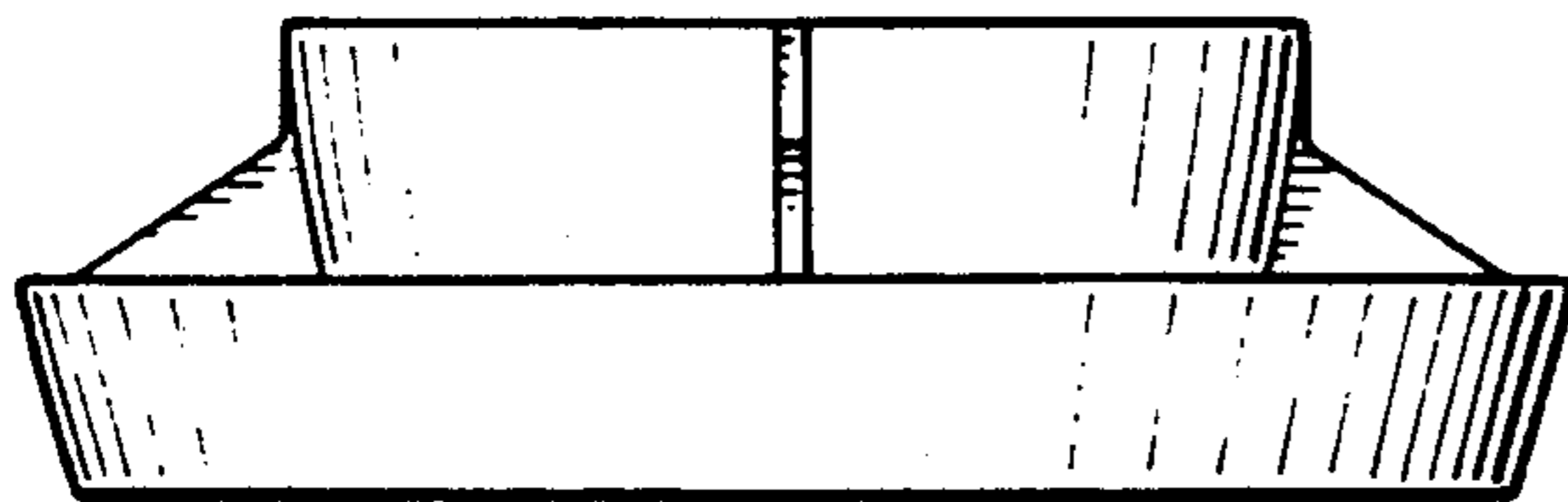


FIG. 3

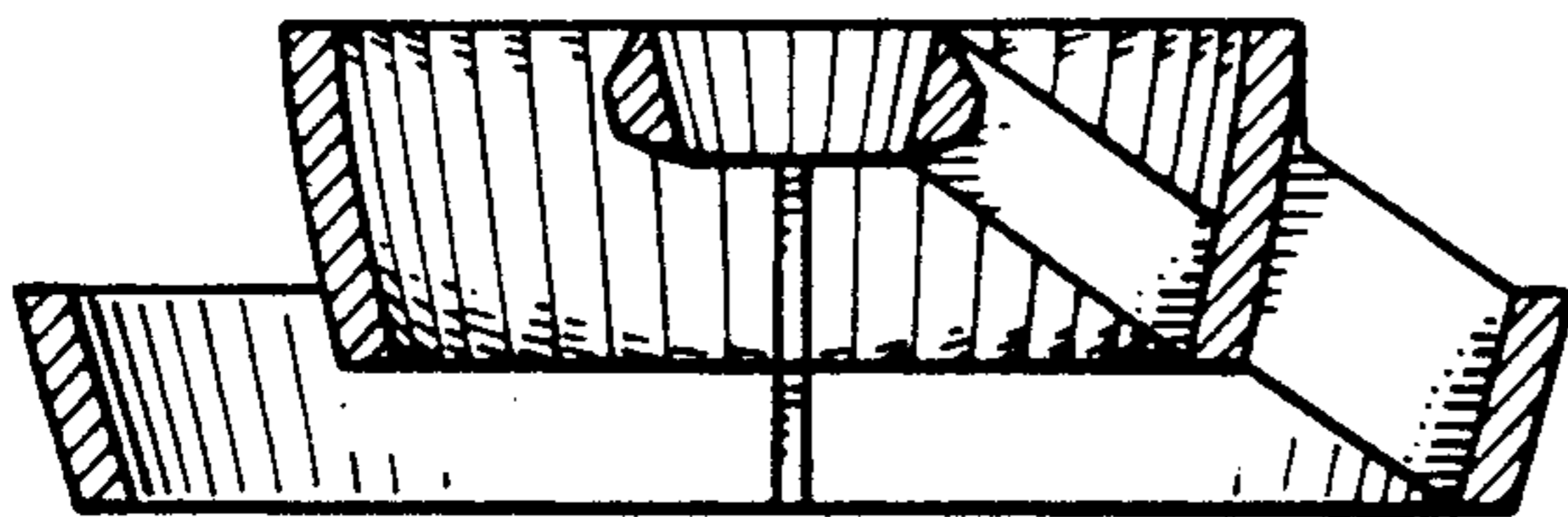


FIG. 4

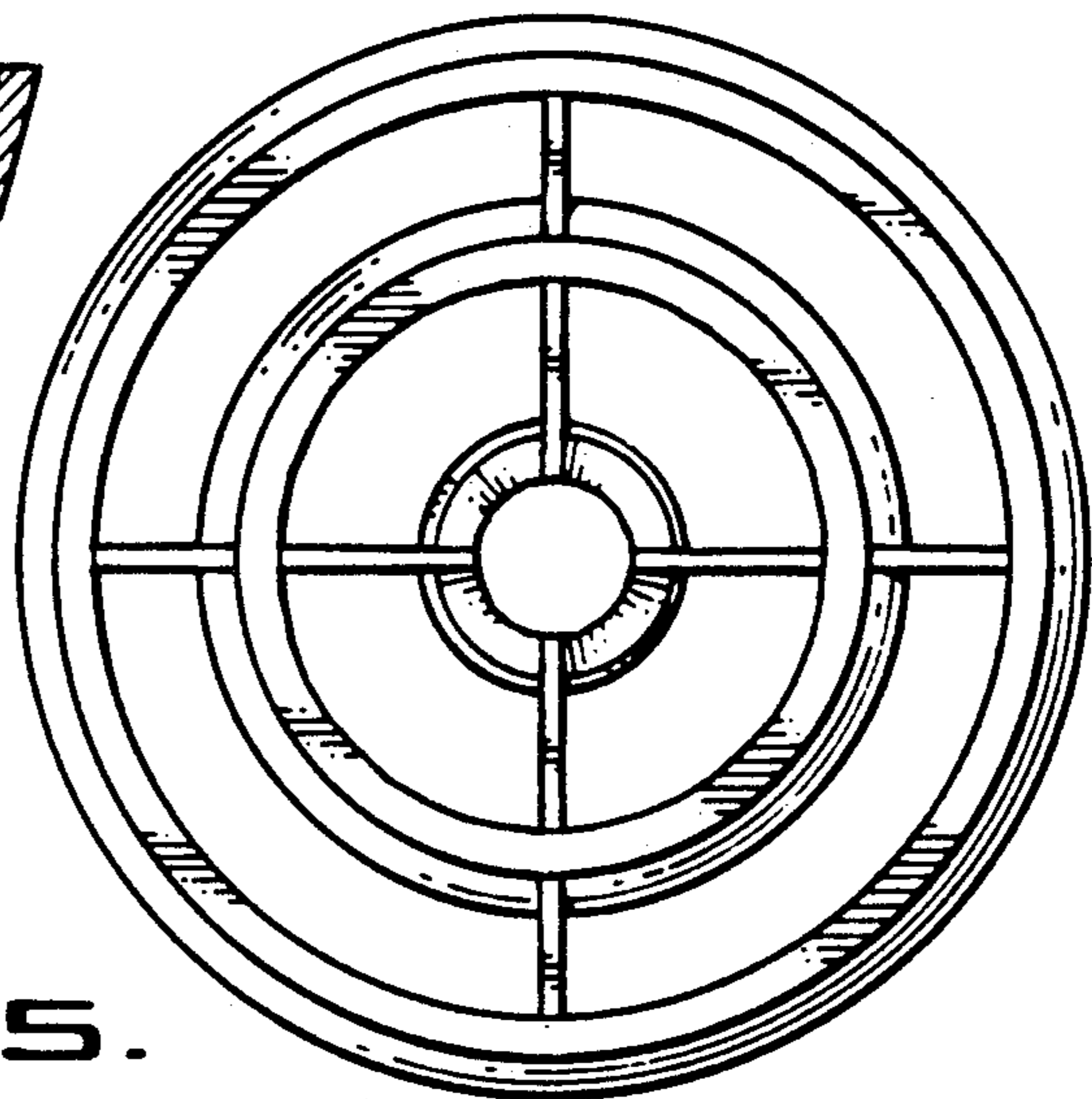


FIG. 5.

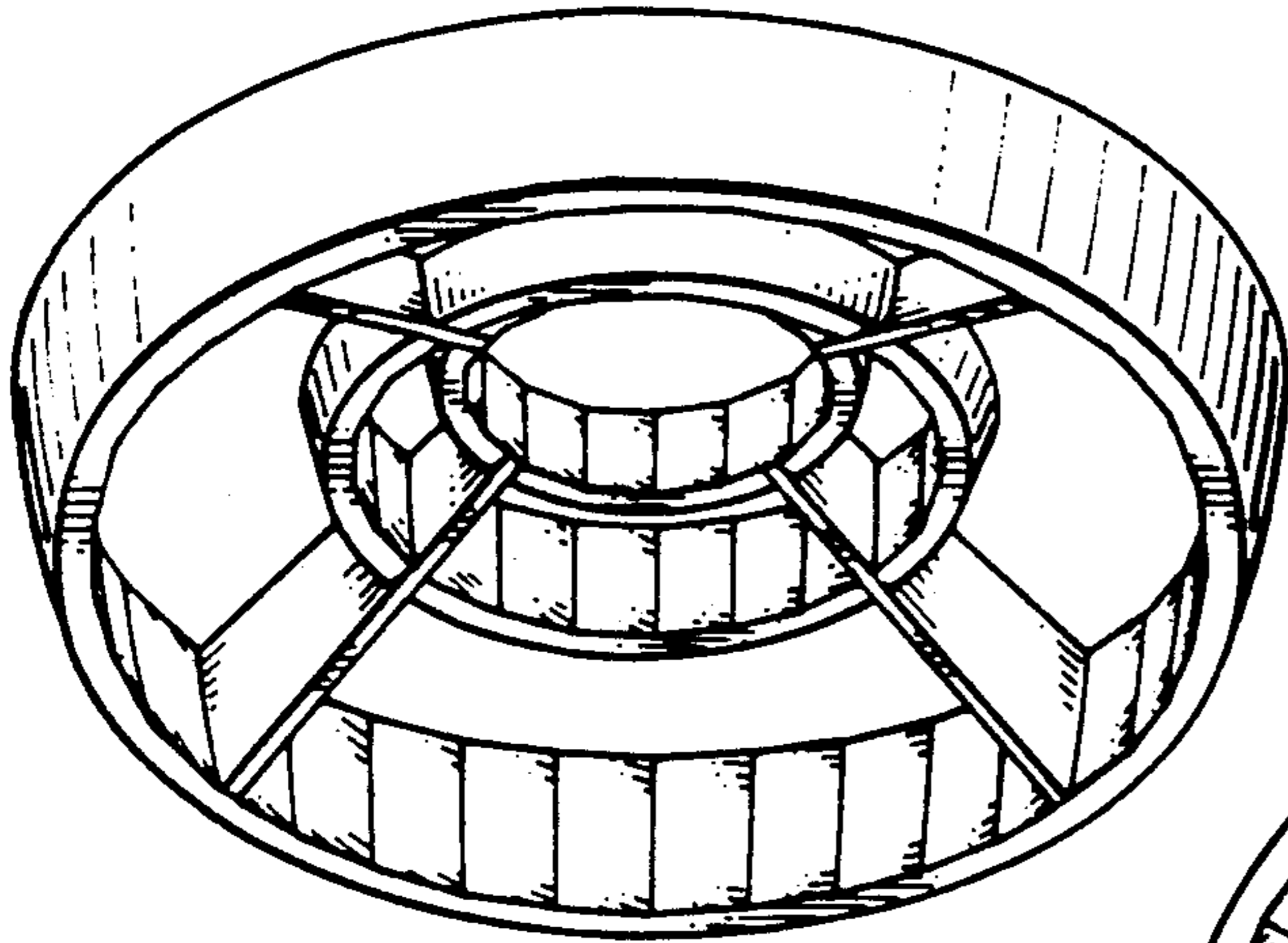


FIG. 6.

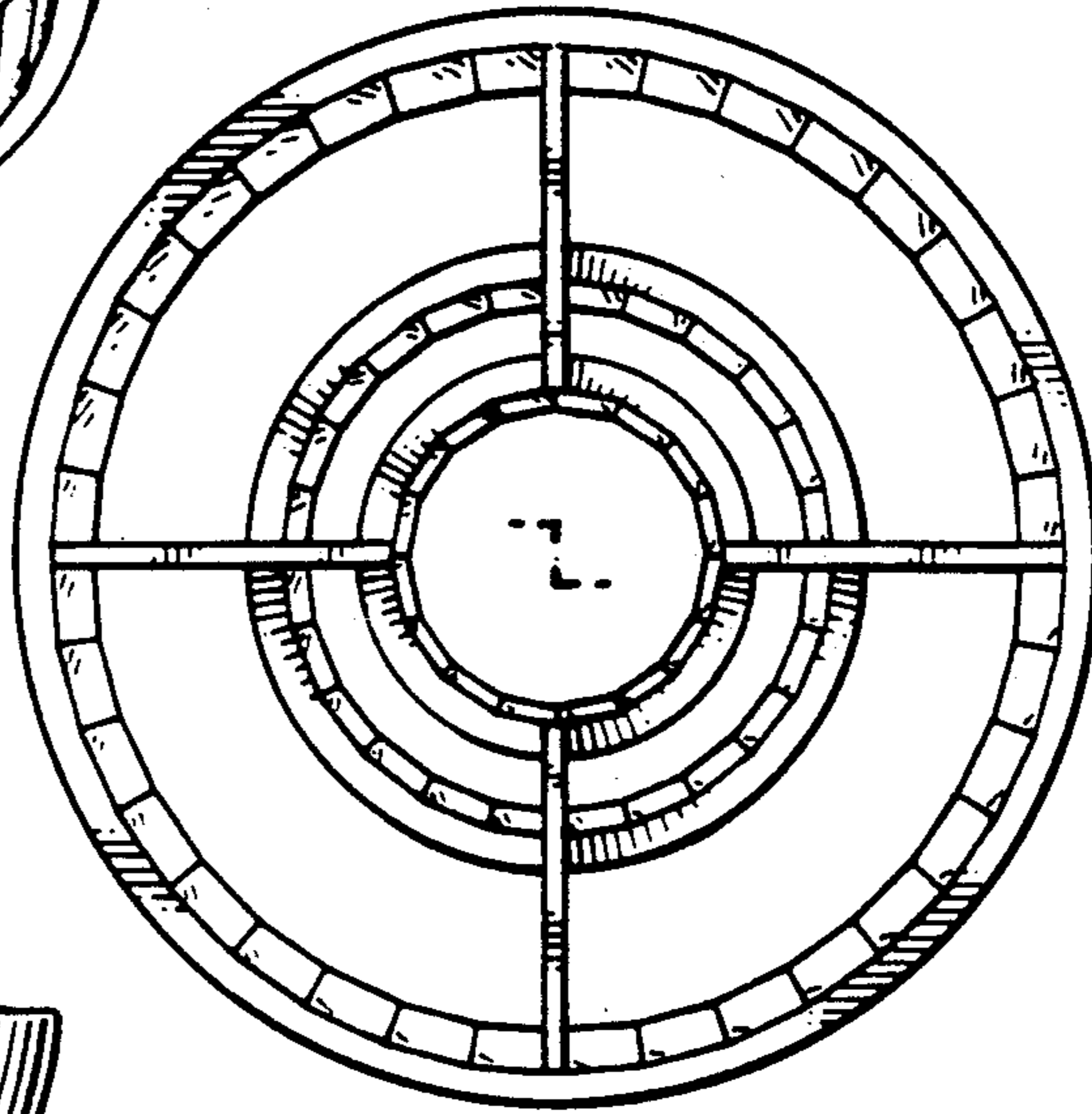


FIG. 7.

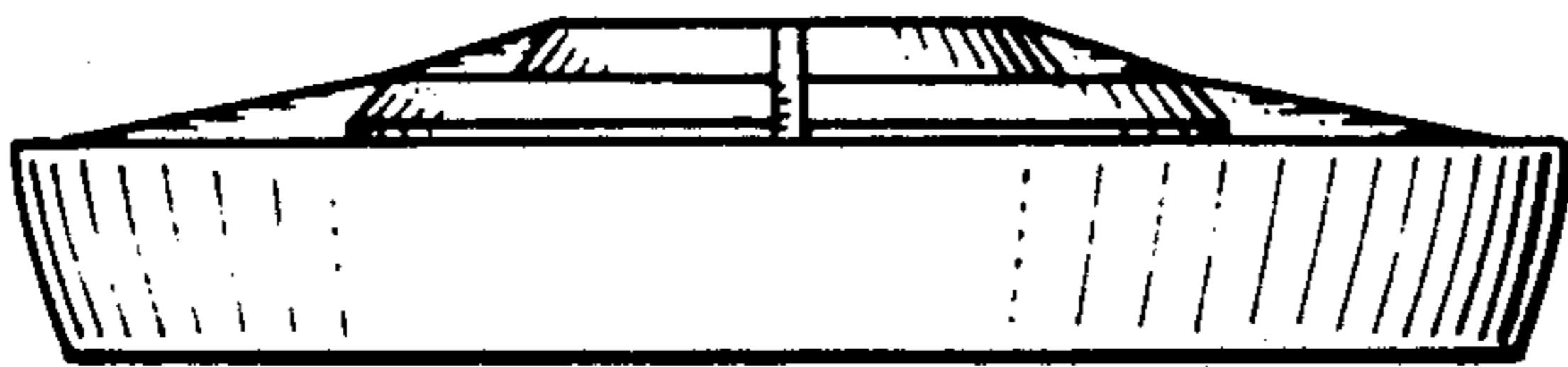


FIG. 8.

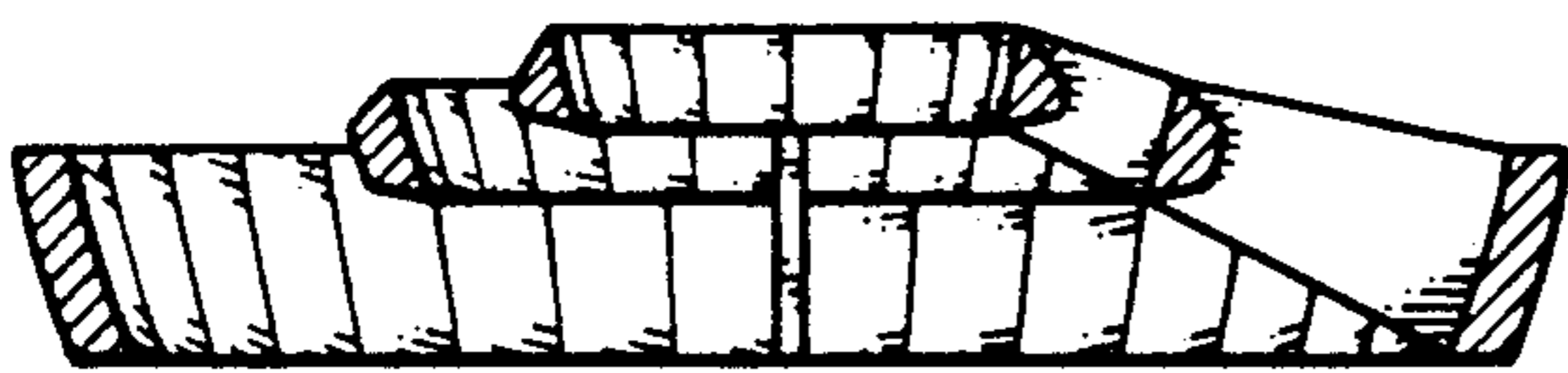


FIG. 9.

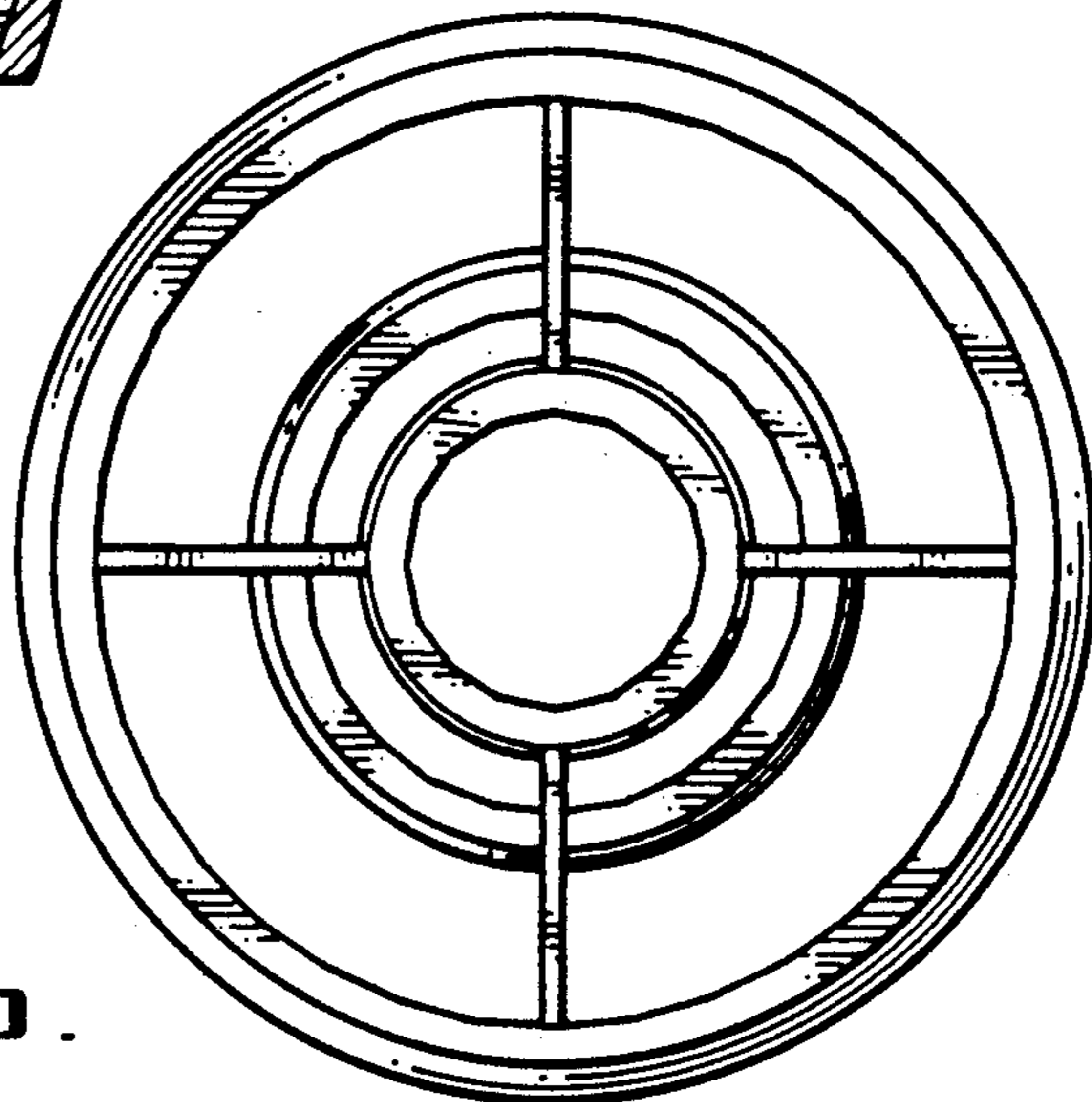


FIG. 10.