



US00D328864S

**United States Patent** [19]  
**Grunzweig**

[11] **Patent Number: Des. 328,864**

[45] **Date of Patent: \*\* Aug. 25, 1992**

[54] **PAINT CONTAINER SPLATTER RING**

3,326,409 6/1967 Speer ..... D9/447 X  
3,811,606 5/1974 Higgins ..... 222/570

[76] **Inventor: Stephen N. Grunzweig, 42 Fuller St., Buffalo, N.Y. 14207**

*Primary Examiner—Terry A. Pfeffer*  
*Attorney, Agent, or Firm—Bean, Kauffman & Spencer*

[\*\*] **Term: 14 Years**

[57] **CLAIM**

[21] **Appl. No.: 510,819**

The ornamental design for a paint container splatter ring, as shown.

[22] **Filed: Apr. 18, 1990**

[52] **U.S. Cl. .... D9/447; D9/435**

[58] **Field of Search ..... D9/435, 447; 222/566, 222/570, 571; 220/698, 700**

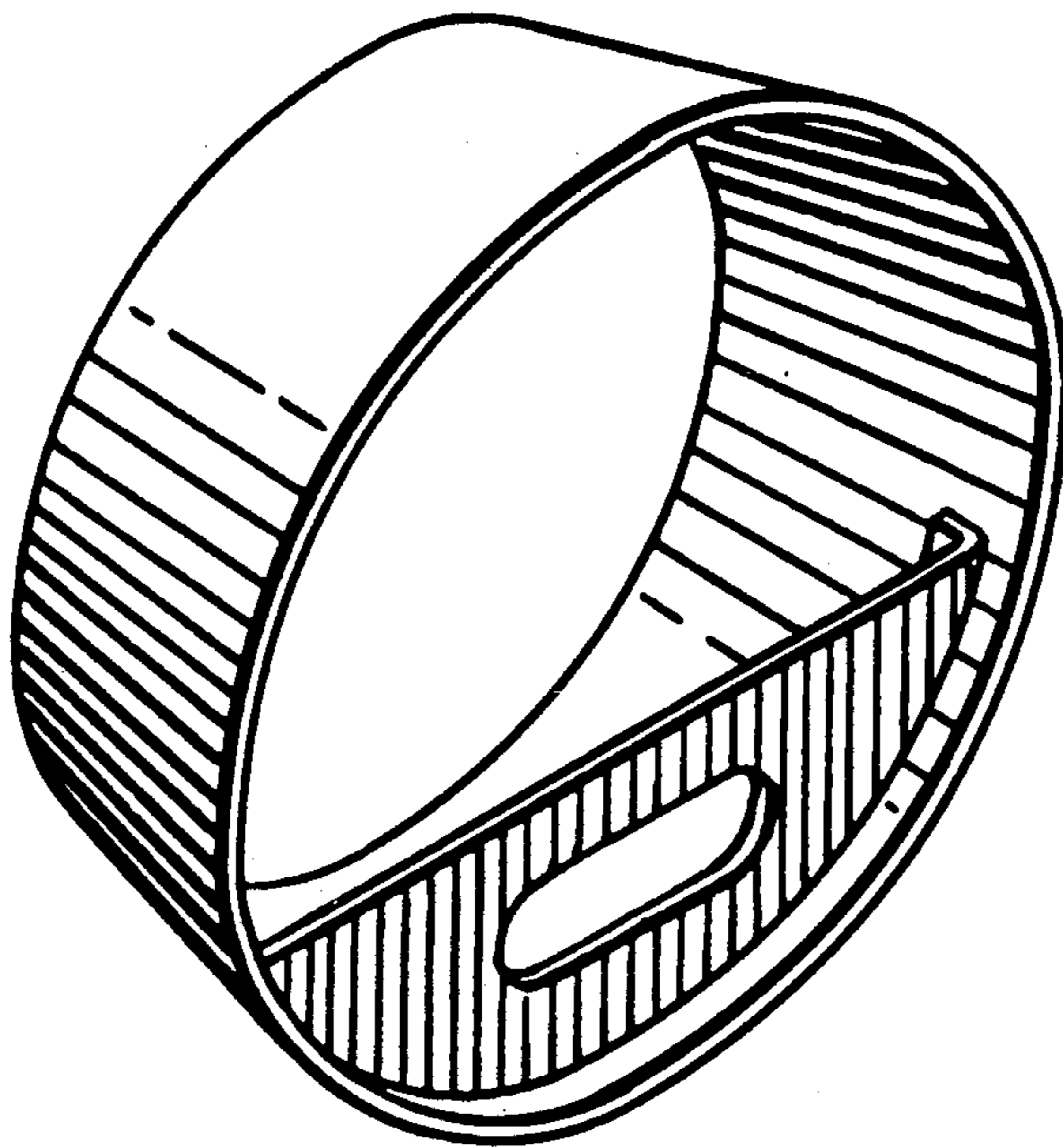
**DESCRIPTION**

FIG. 1 is a top perspective view of a paint container splatter ring showing my new design; FIG. 2 is a bottom perspective view thereof; FIG. 3 is a top plan view thereof; FIG. 4 is a bottom plan view thereof; FIG. 5 is a side elevational view thereof; and, FIG. 6 is a rear elevational view thereof.

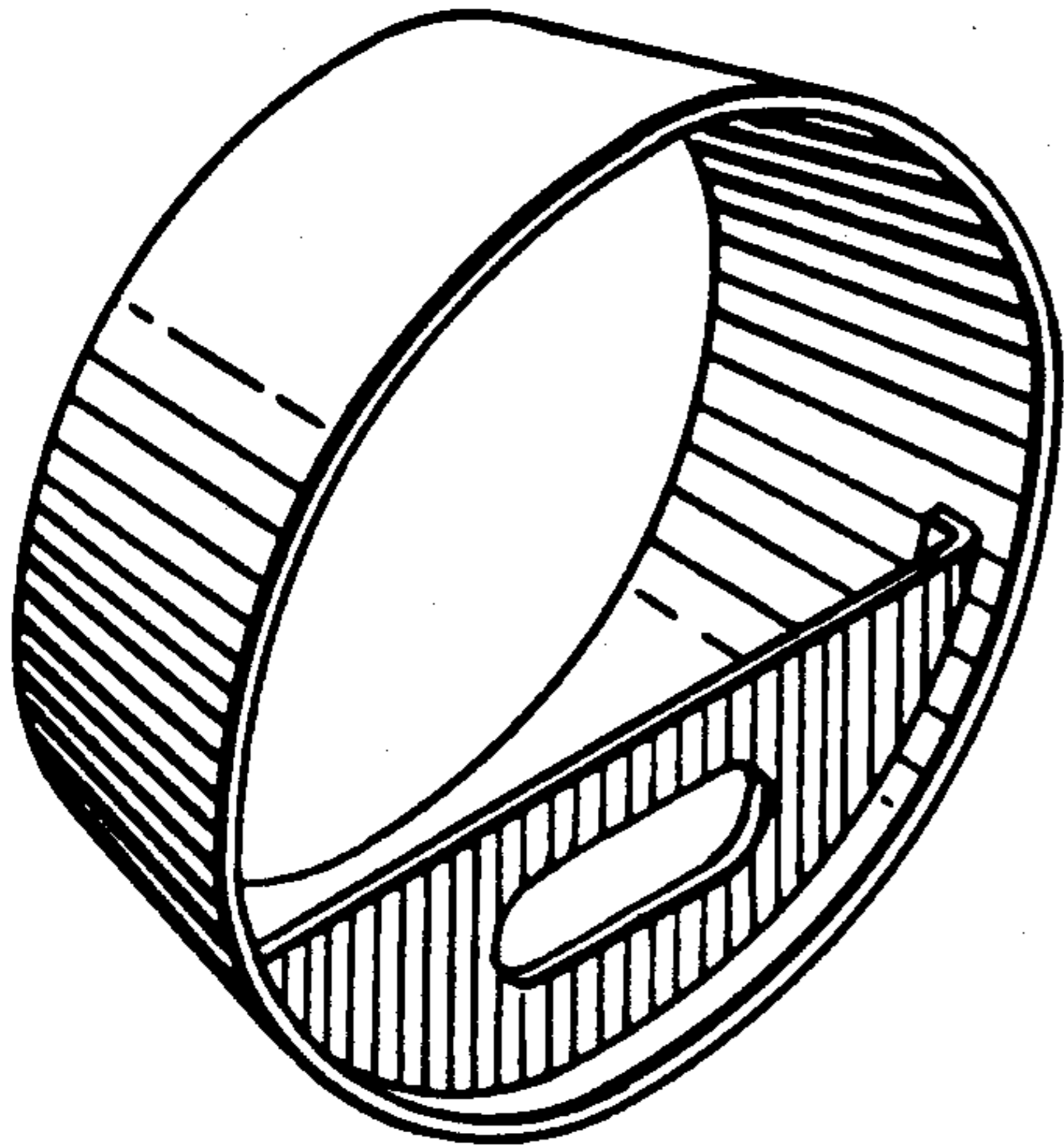
[56] **References Cited**

**U.S. PATENT DOCUMENTS**

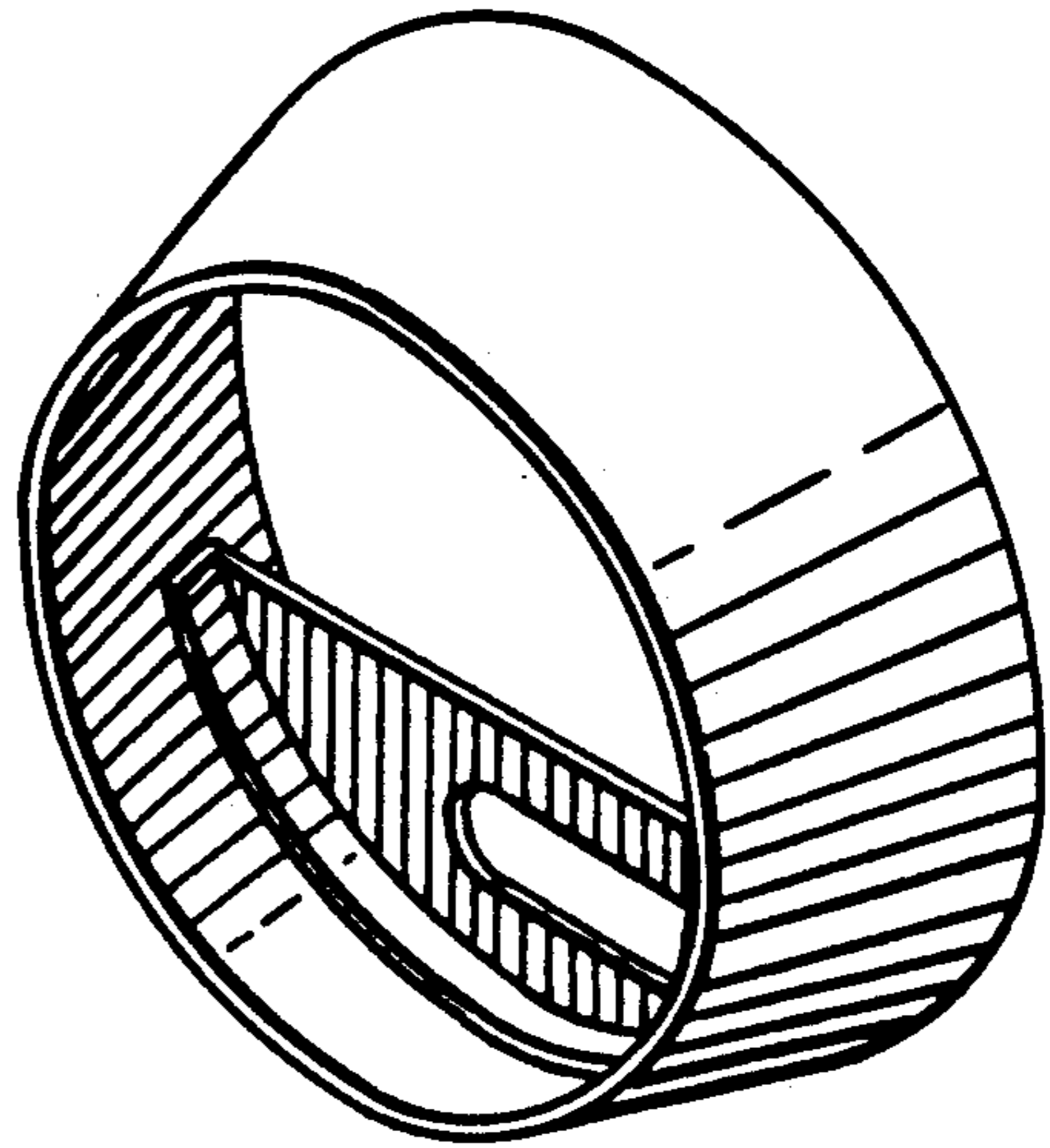
2,802,609 8/1957 Donovan ..... 222/570  
3,252,635 5/1966 Rosenhan ..... 222/570



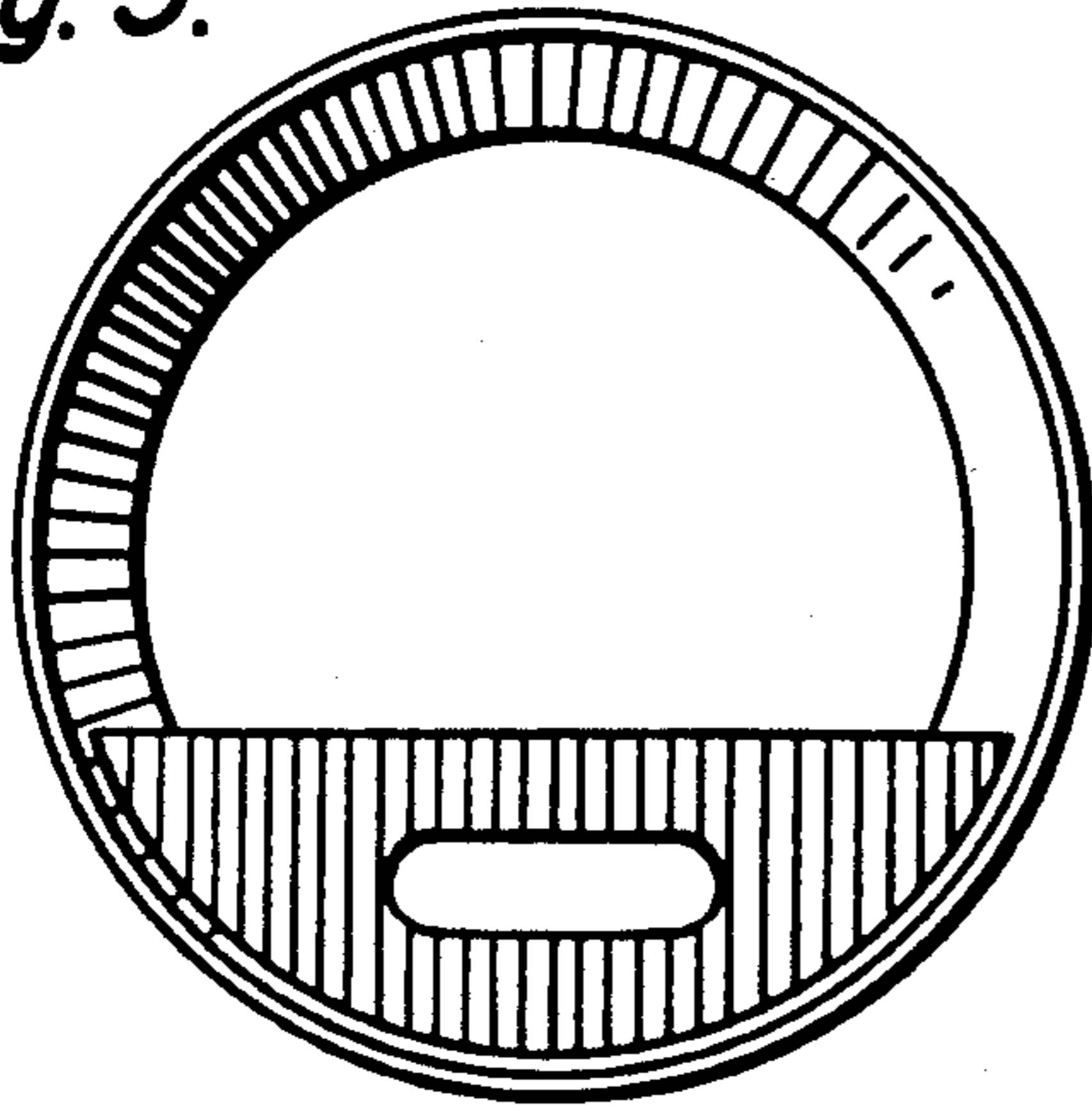
*Fig. 1.*



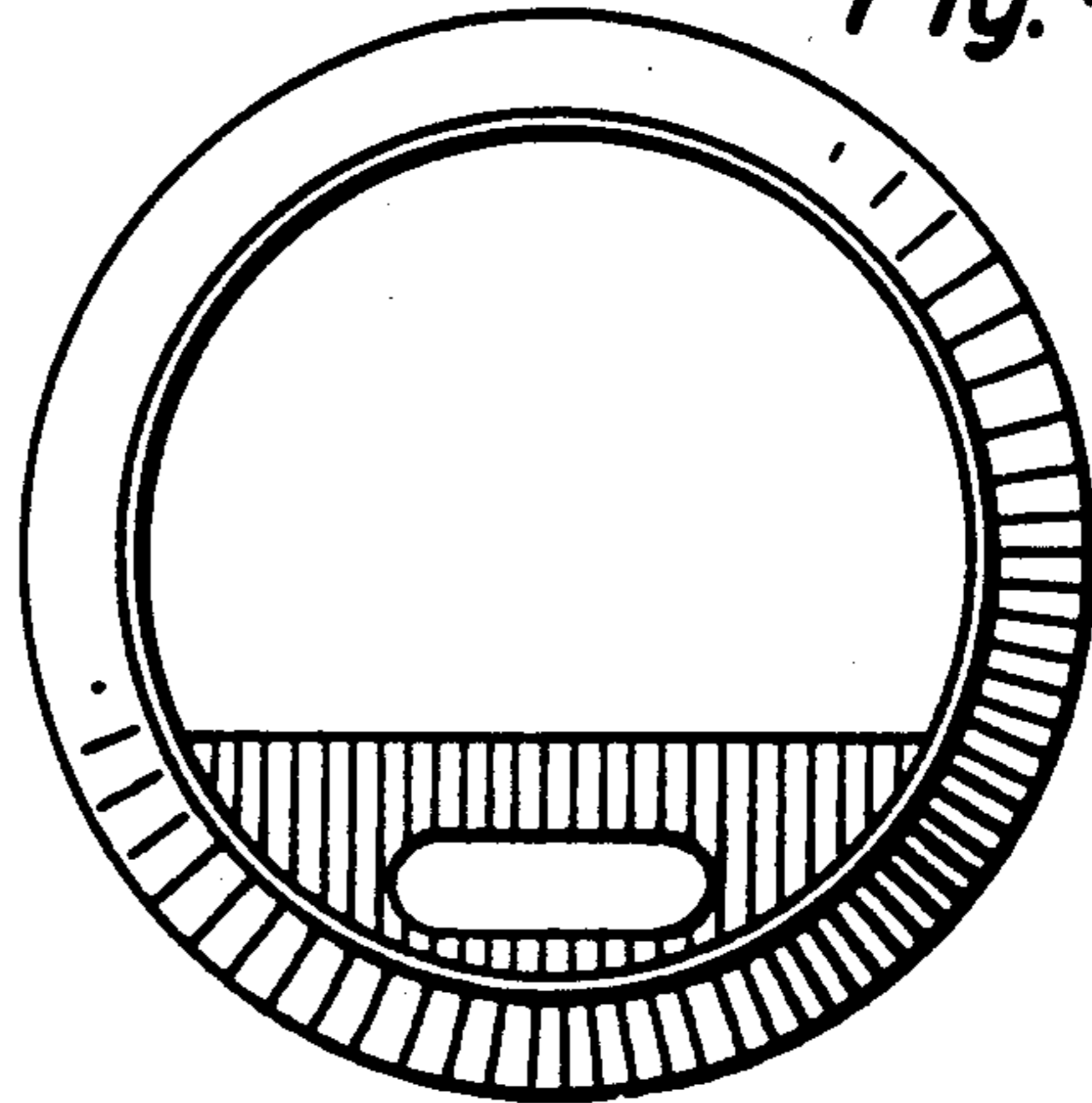
*Fig. 2.*



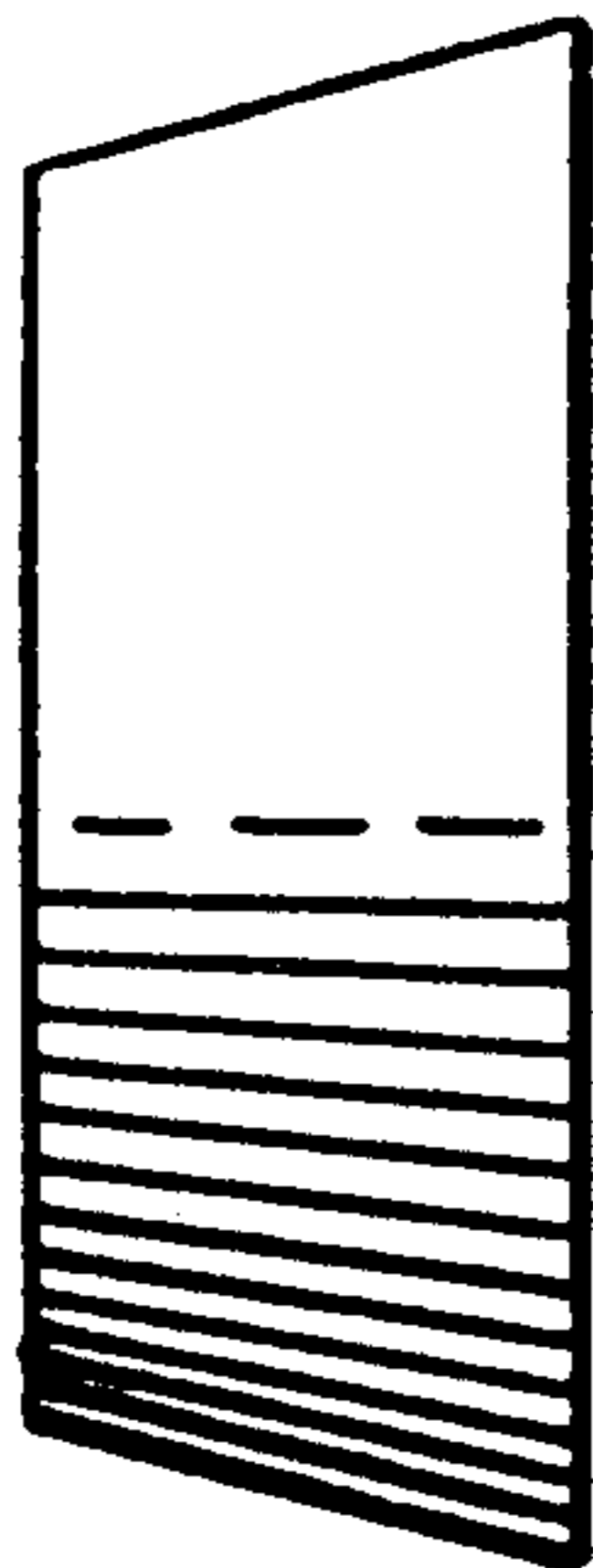
*Fig. 3.*



*Fig. 4.*



*Fig. 5.*



*Fig. 6.*

