



US00D328858S

# United States Patent [19]

[11] Patent Number: **Des. 328,858**

Fowler

[45] Date of Patent: **\*\* Aug. 25, 1992**

[54] **SUPPORT FOR NONMETALLIC TUBING**

[75] Inventor: **Steven L. Fowler, Temple, Ga.**

[73] Assignee: **PK Products, Inc., Conyers, Ga.**

[\*\*] Term: **14 Years**

[21] Appl. No.: **518,649**

[22] Filed: **May 3, 1990**

[52] U.S. Cl. .... **D8/356; D25/128**

[58] Field of Search ..... **D25/122, 129, 199, 132-134; D8/356, 364, 373; 52/687, 40, 701, 221, 98, 220, 576, 577, 699; 249/83, 39, 42, 61, 18, 175, 177; 269/43; 264/31; 248/68.1, 49; 138/89, 96 R; 174/20, 22, 23**

4,748,787	6/1988	Harbeke	52/232
4,842,240	6/1989	Pickett	249/39
4,901,955	2/1990	Bynum	248/49
4,934,114	6/1990	Lindsey	52/40

*Primary Examiner—A. Hugo Word*  
*Assistant Examiner—Doris Clark*  
*Attorney, Agent, or Firm—Louis T. Isaf*

### [57] CLAIM

The ornamental design for a support for nonmetallic tubing, as shown and described.

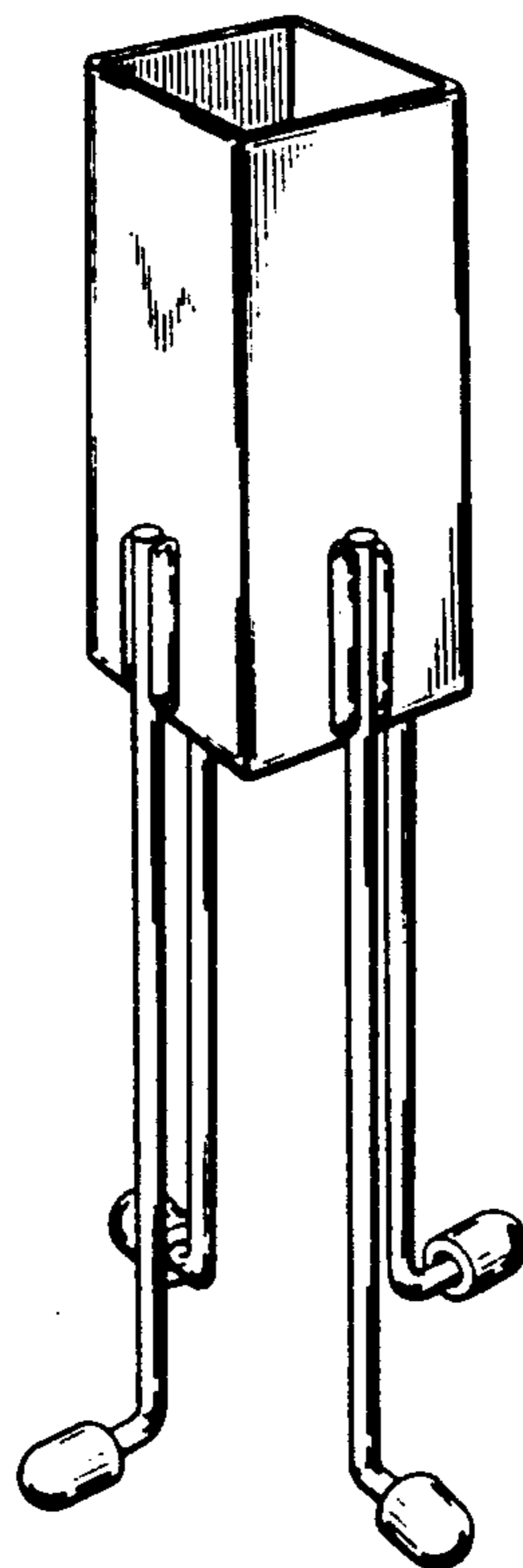
### DESCRIPTION

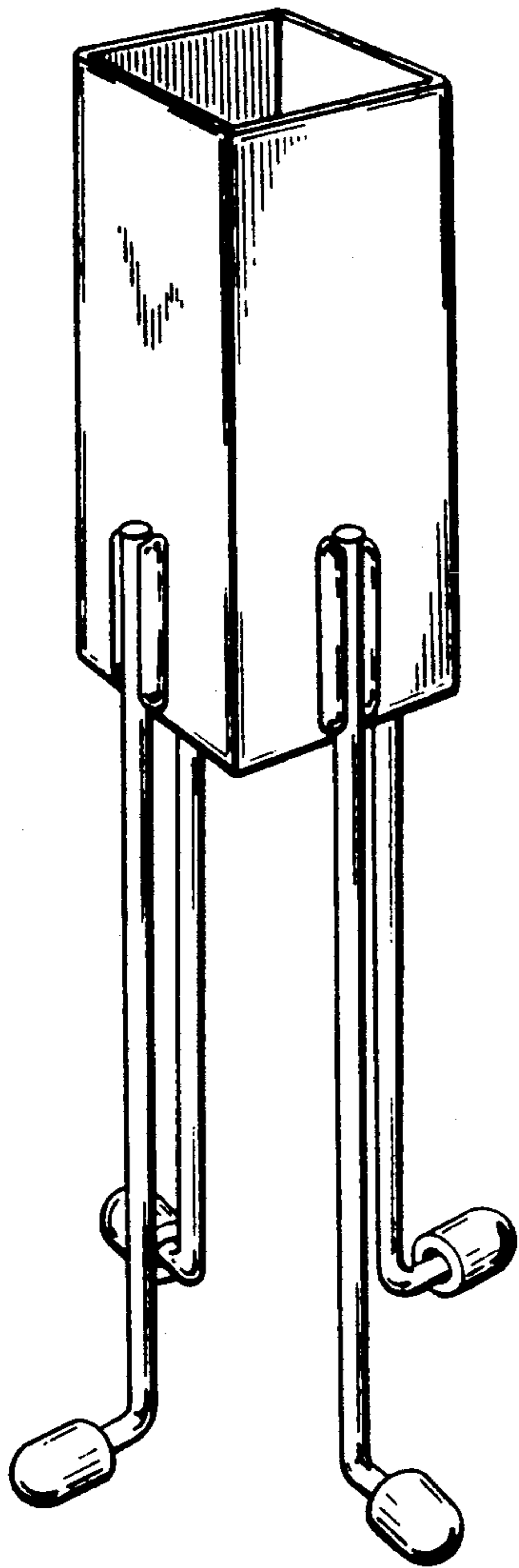
FIG. 1 is a perspective view of a support for nonmetallic tubing showing my new design;  
 FIG. 2 is a side elevational view the opposite side, the front, and the rear being identical thereto;  
 FIG. 3 is a top plan view thereof;  
 FIG. 4 is a bottom plan view thereof;  
 FIG. 5 is a perspective view of a second embodiment of a support for nonmetallic tubing showing my new design;  
 FIG. 6 is a side elevational view, the opposite side, the front, and the rear being identical thereto;  
 FIG. 7 is a top plan view thereof;  
 FIG. 8 is a bottom plan view thereof;  
 FIG. 9 is a perspective view of a third embodiment of a support for nonmetallic tubing showing my new design;  
 FIG. 10 is a side elevational view, the opposite side, the front, and the rear being identical thereto;  
 FIG. 11 is a top plan view thereof; and,  
 FIG. 12 is a bottom plan view thereof.

### [56] References Cited

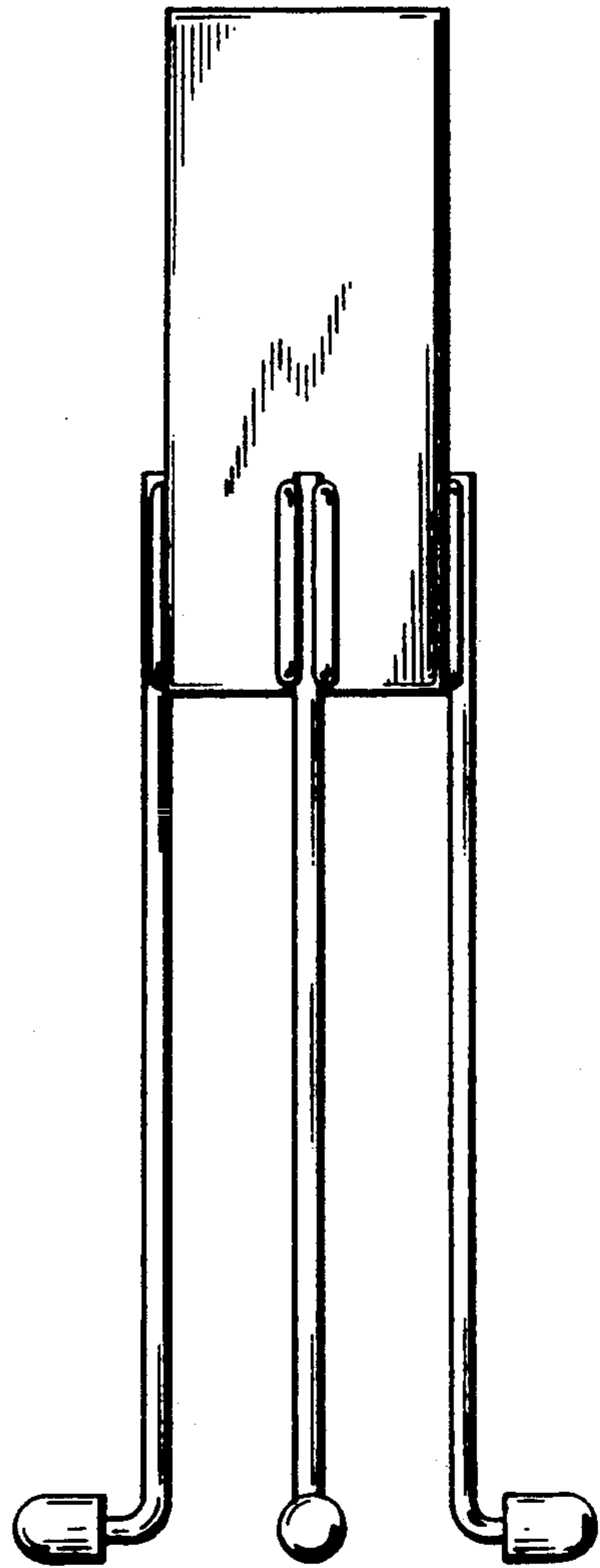
#### U.S. PATENT DOCUMENTS

D. 190,523	6/1961	Garbanni	D25/128
D. 284,269	4/1966	Nardos, Jr.	D25/128
D. 313,339	1/1991	Brown et al.	D8/356
D. 324,643	3/1992	Turek et al.	D8/356
2,775,017	12/1956	McDonough	25/118
2,794,336	6/1957	Ballor	52/687
3,160,175	12/1964	Laemmle	138/96
3,717,319	2/1973	Schultz et al.	248/49
3,869,153	3/1975	De Vincent et al.	285/158
3,974,603	8/1976	Vandegriff	61/39
4,061,322	12/1977	LeBlanc	269/43
4,619,087	10/1986	Harbeke	55/221
4,619,471	10/1986	Harbeke	285/158
4,629,155	12/1986	Dula	249/175
4,642,956	2/1987	Harbeke	52/232

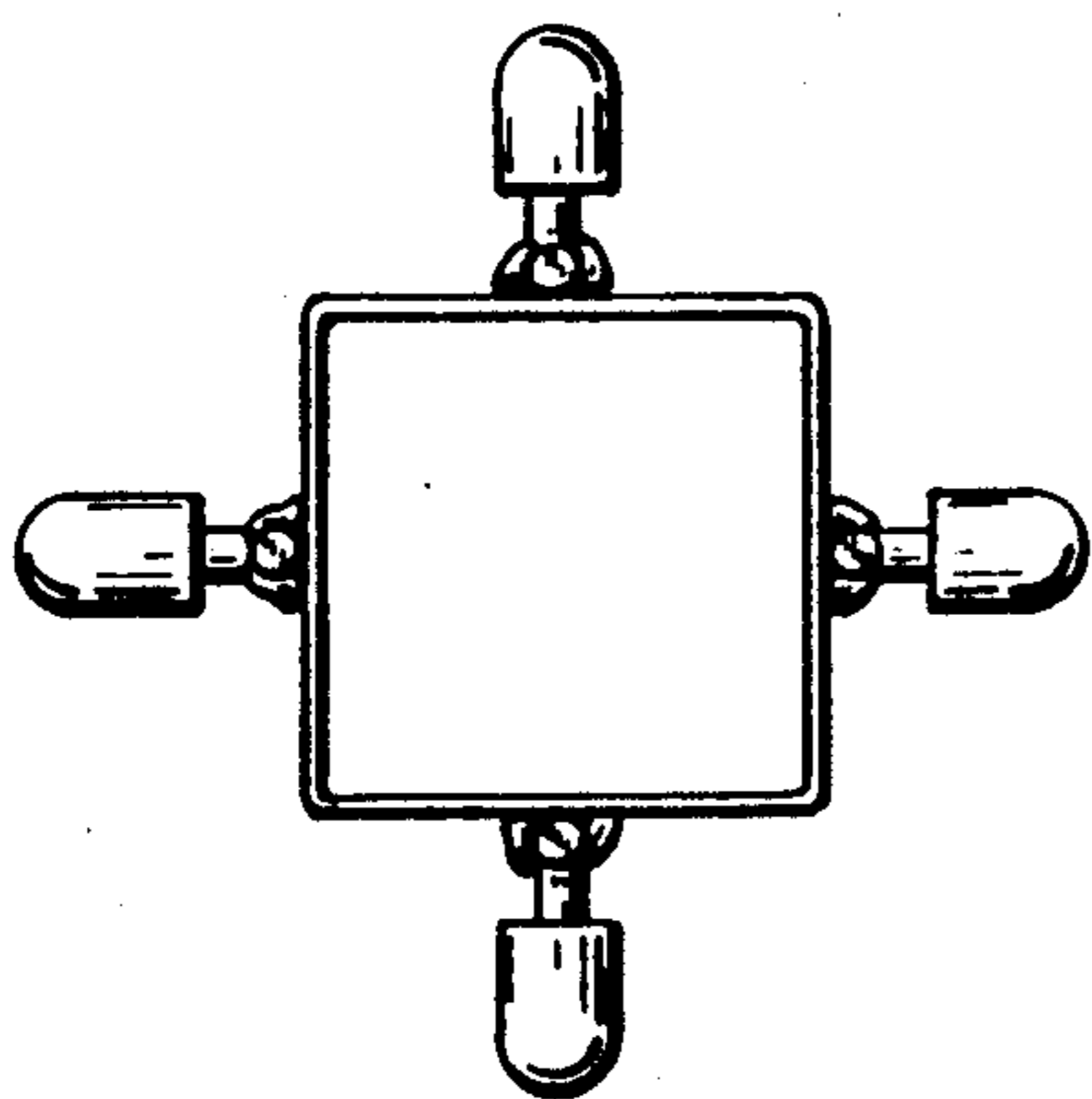




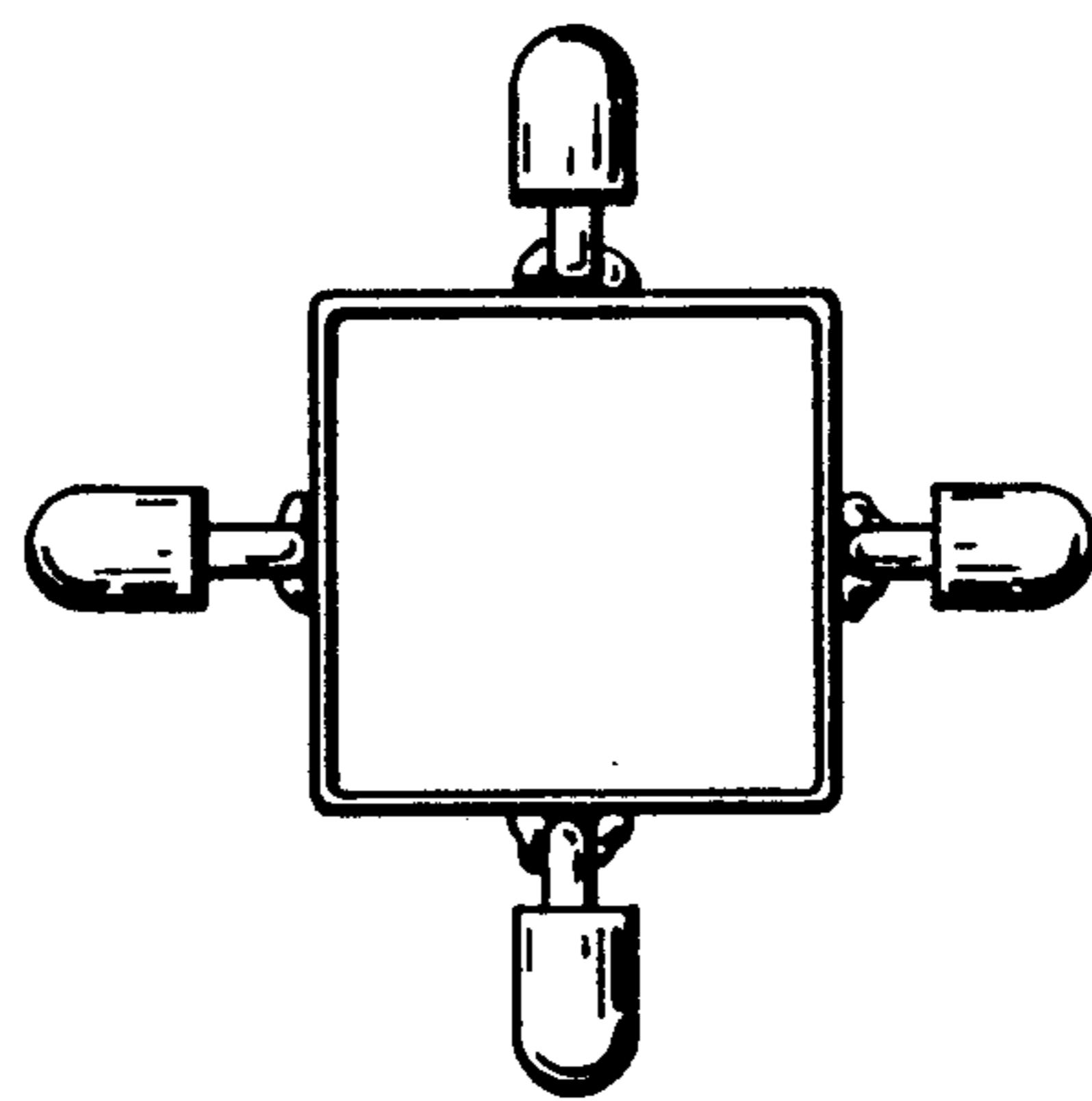
**FIG 1**



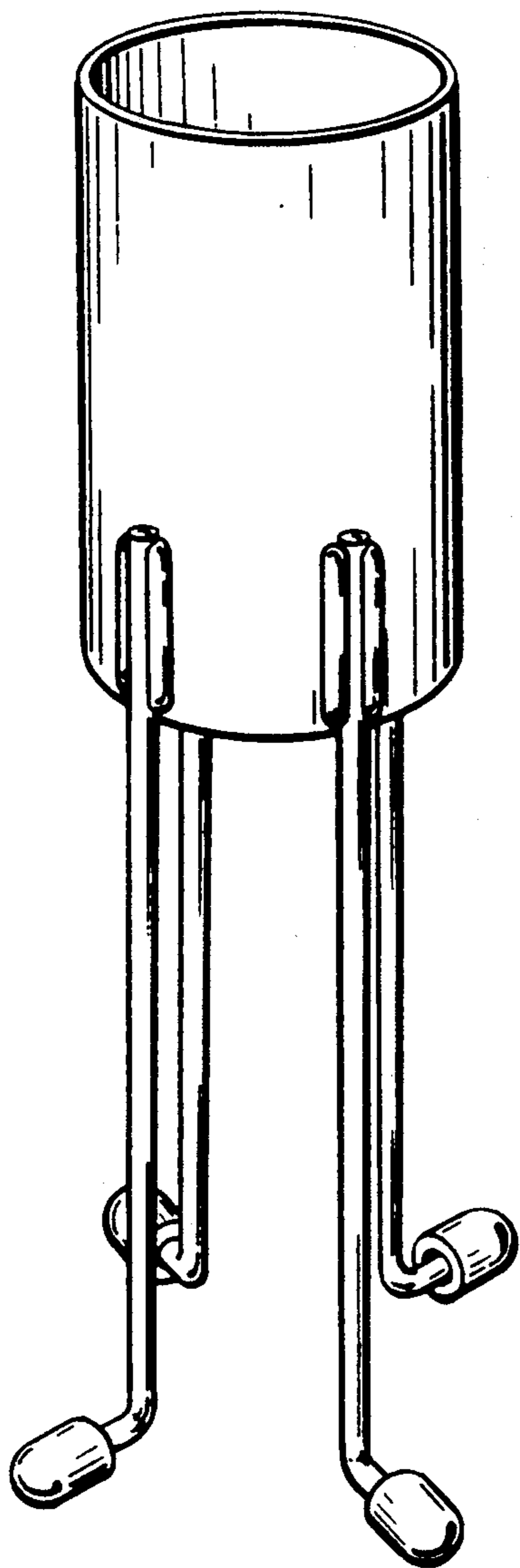
**FIG 2**



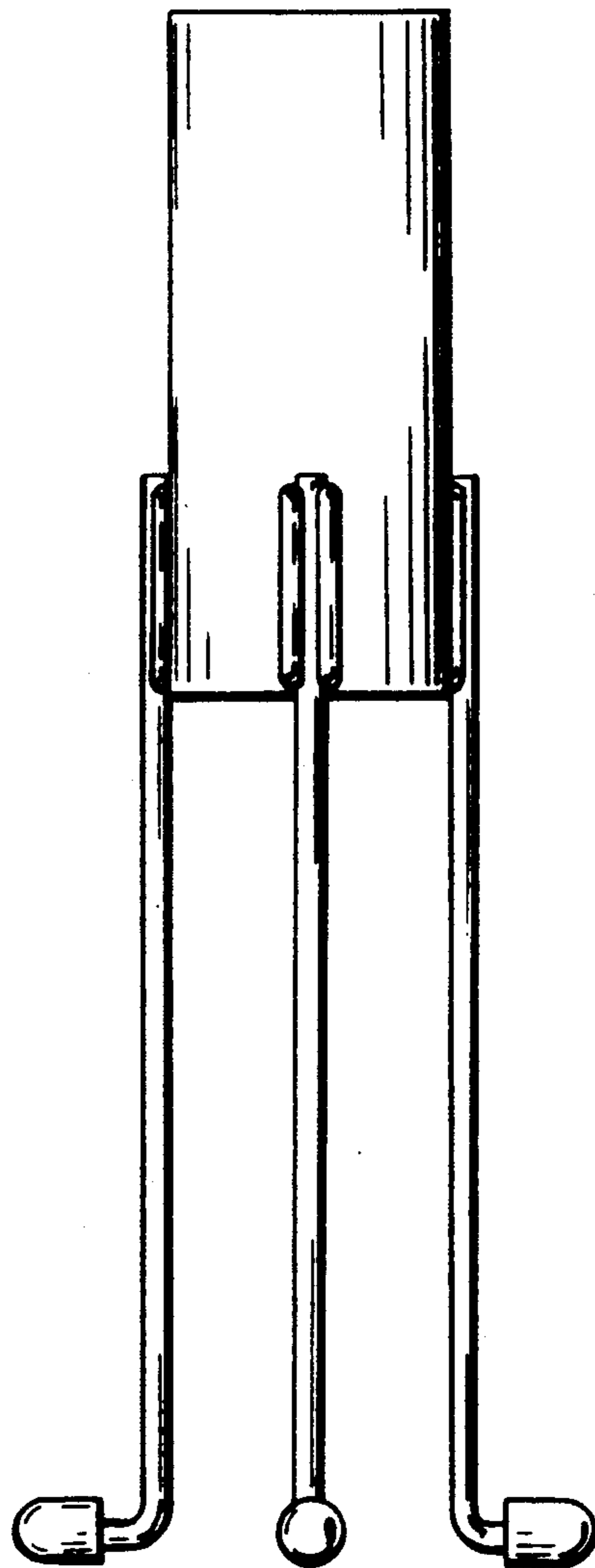
**FIG 3**



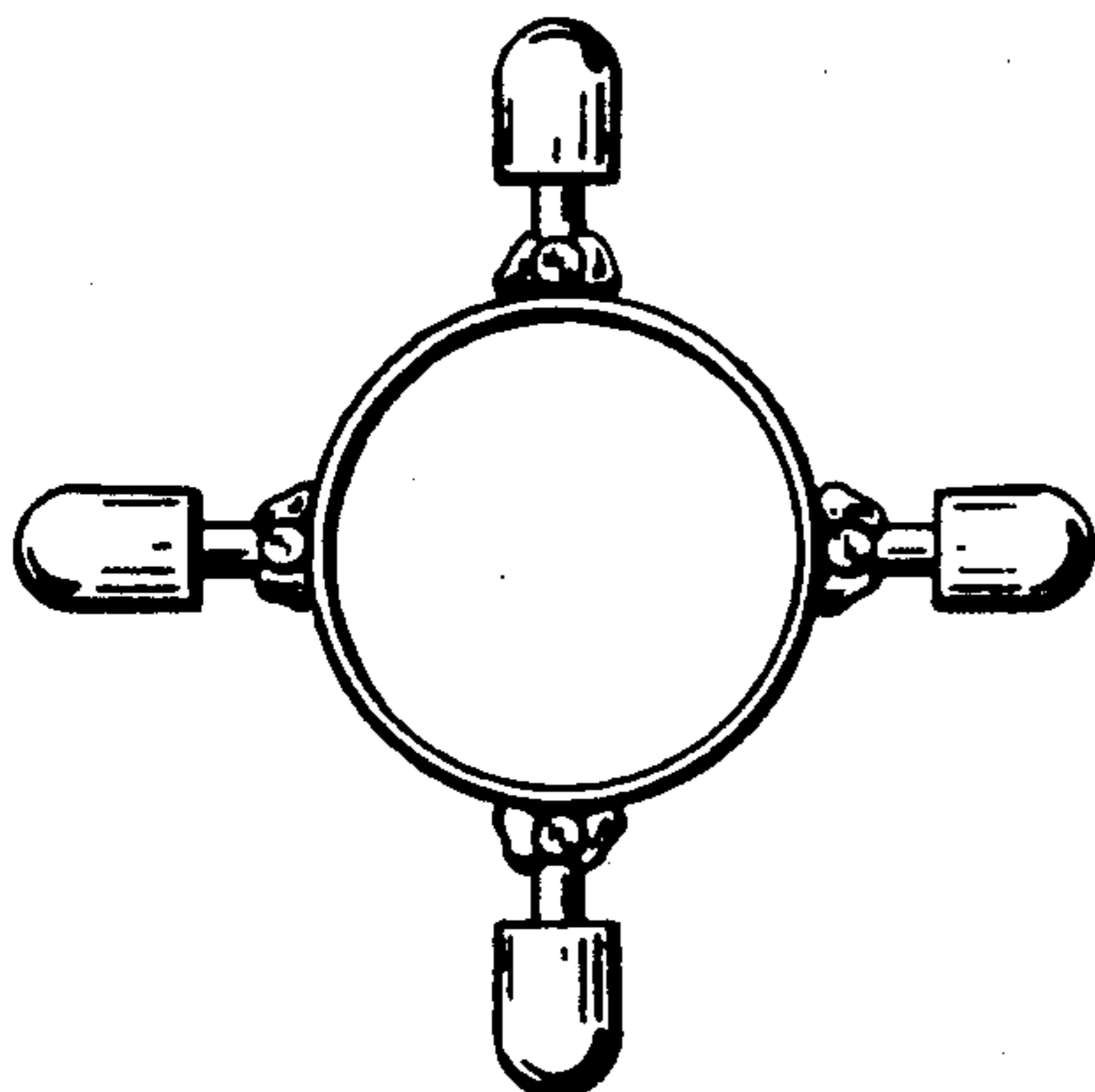
**FIG 4**



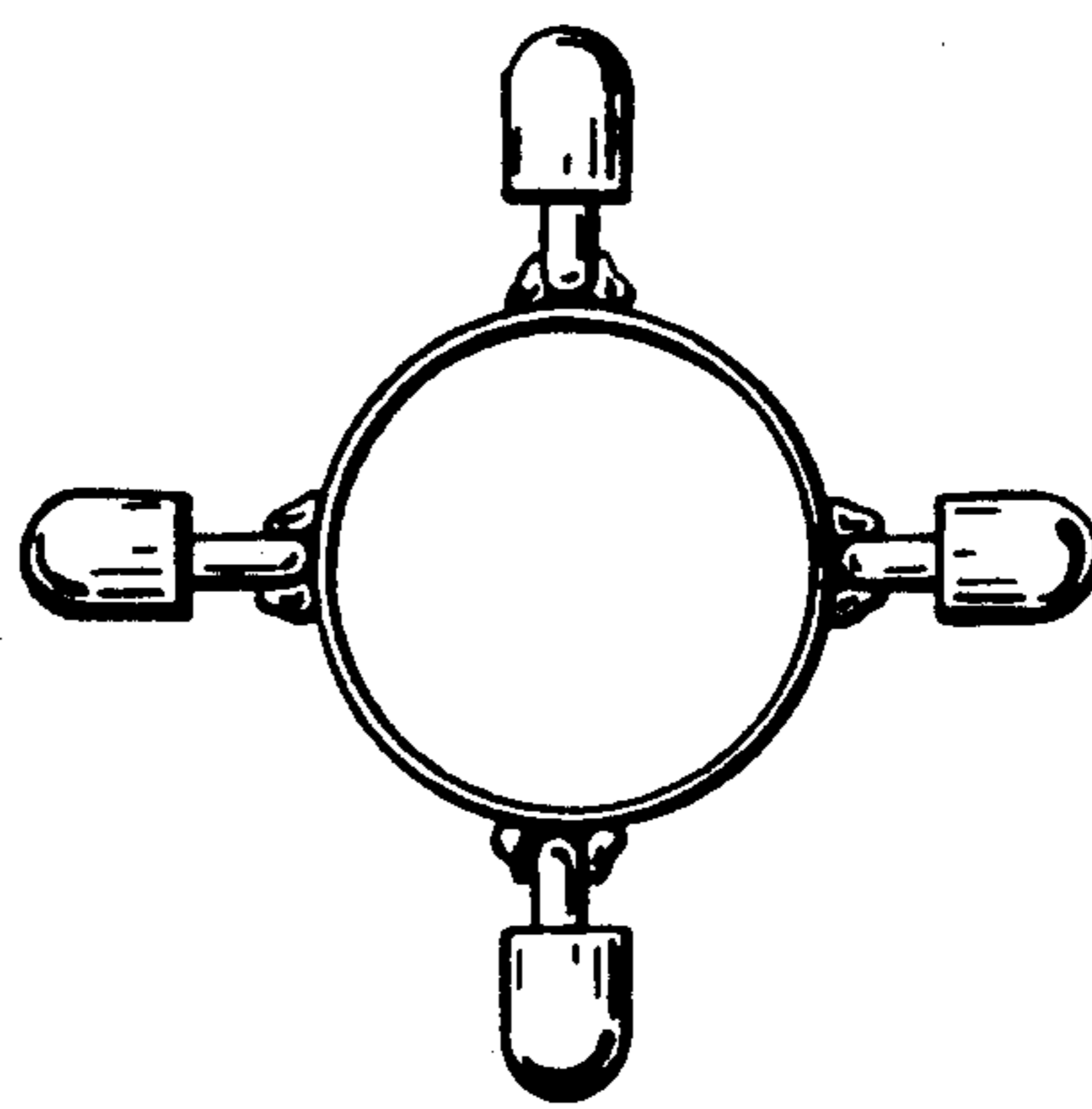
**FIG 5**



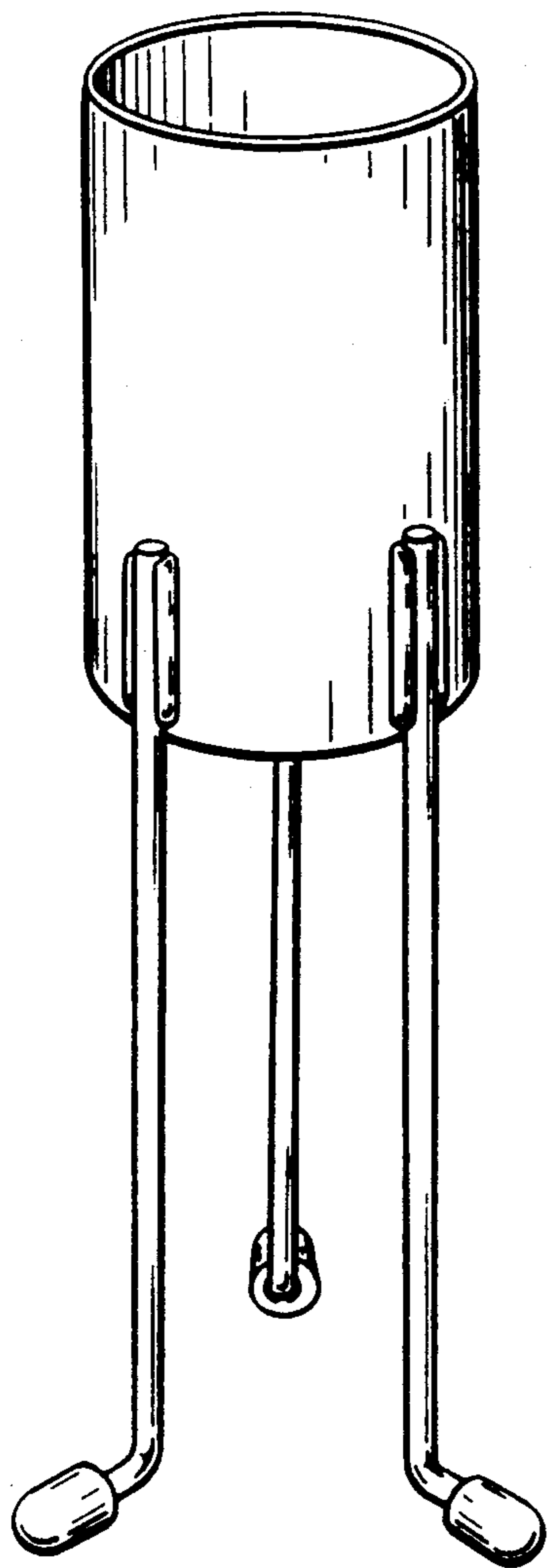
**FIG 6**



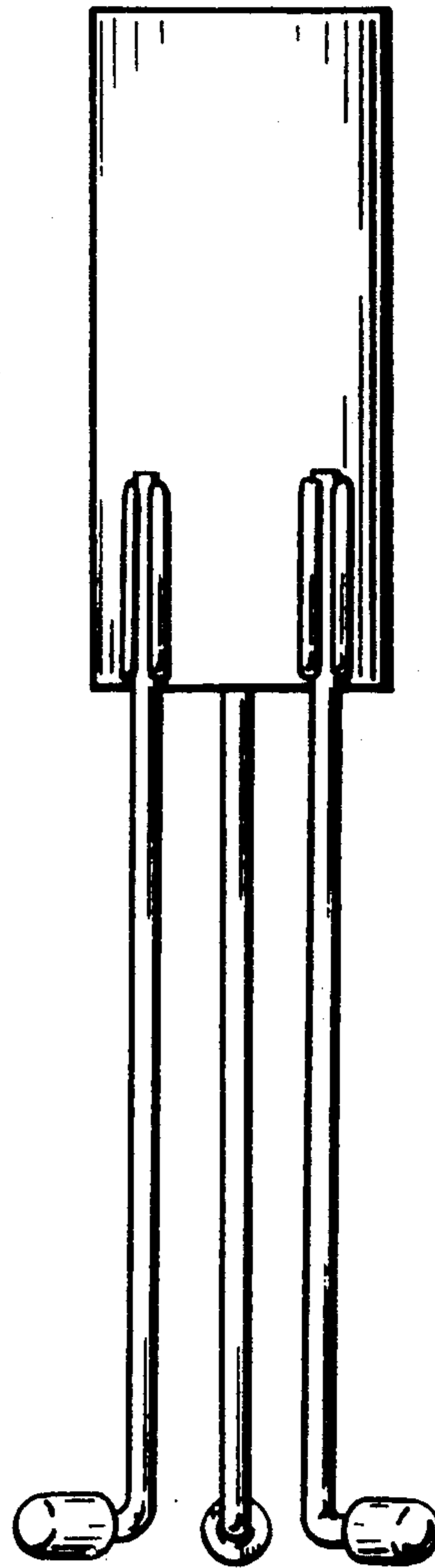
**FIG 7**



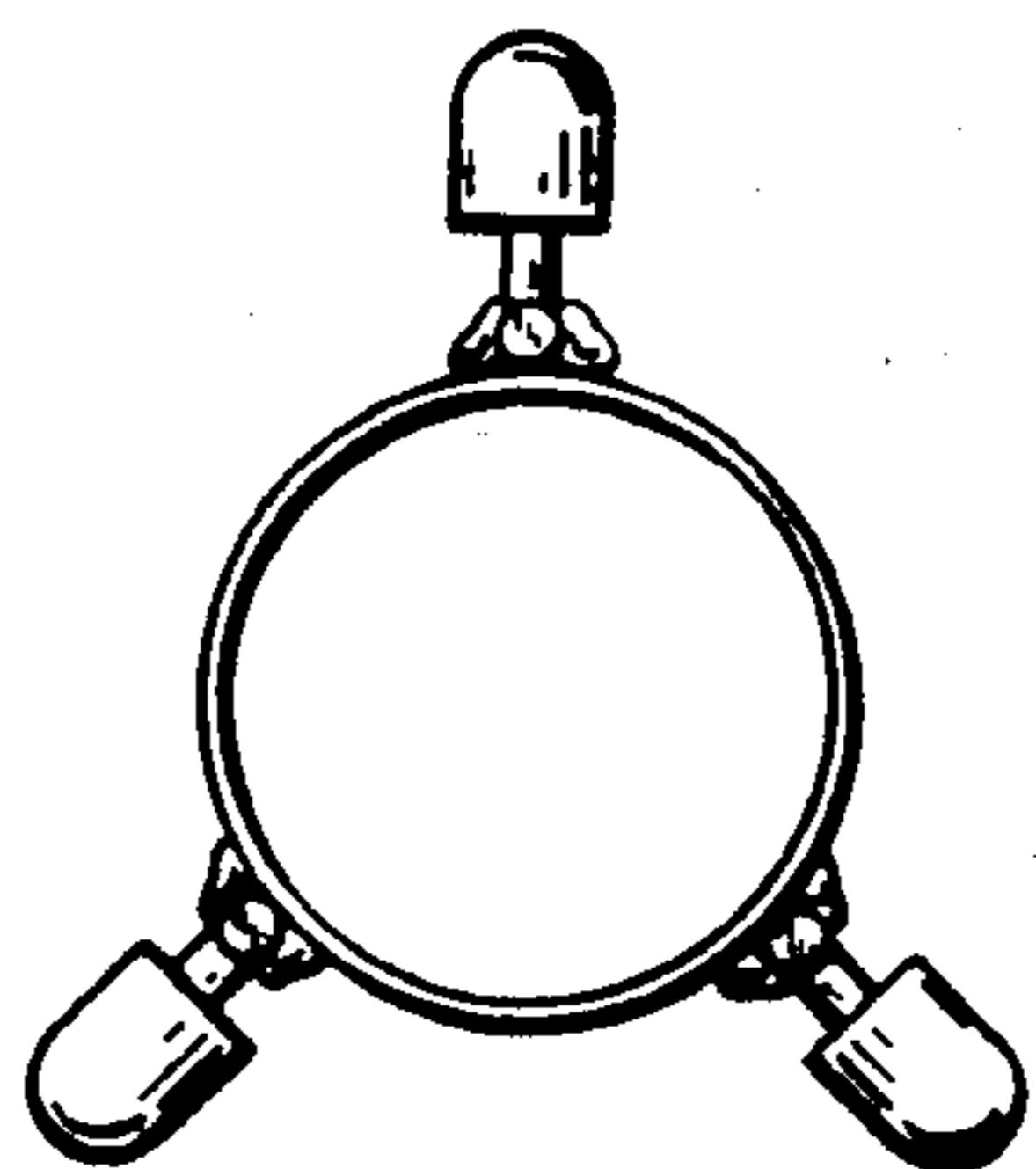
**FIG 8**



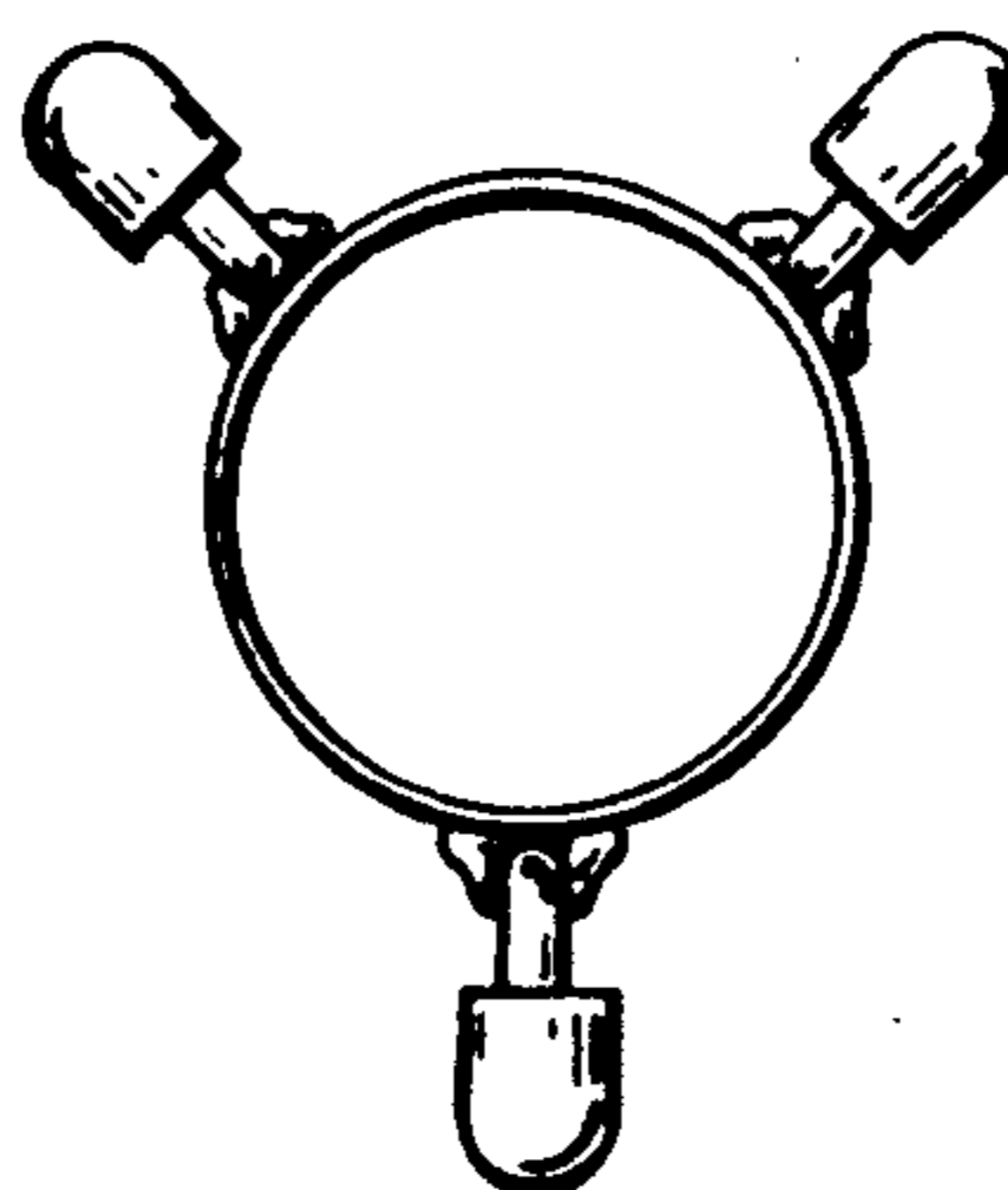
**FIG 9**



**FIG 10**



**FIG 11**



**FIG 12**